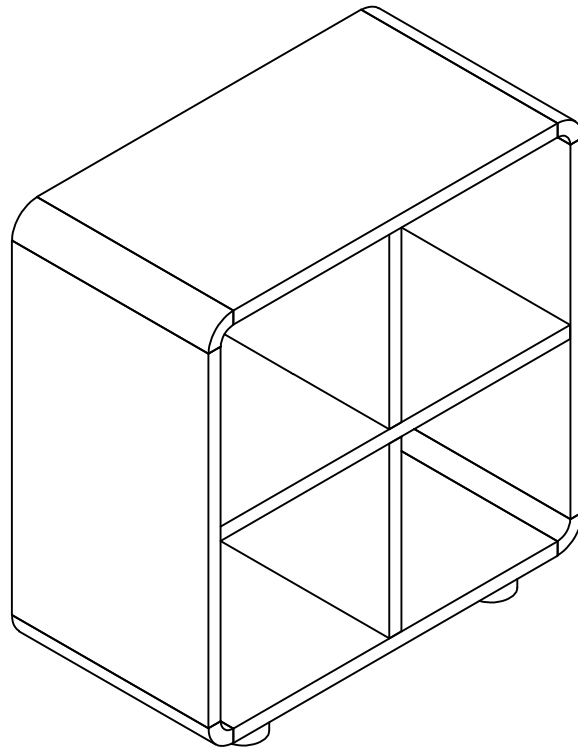
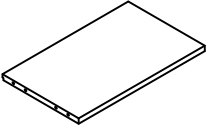

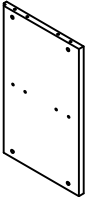
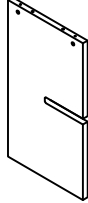
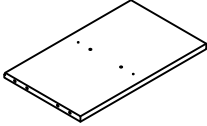
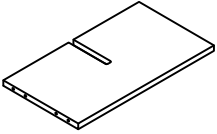
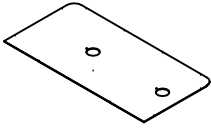
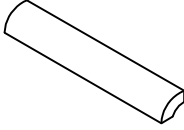

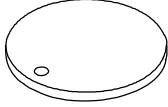


CROSLEY
FURNITURE

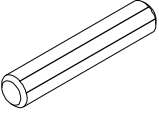

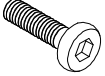
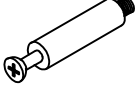


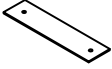


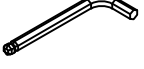


4 Cube Record Player Stand
with Vinyl Storage
CF1139



PARTS LIST

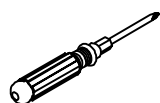
<p>A</p> 	<p>B</p> 	<p>C</p> 	<p>D</p> 	<p>E</p> 
<p>Top Panel 1 PC</p>	<p>Left Panel 1 PC</p>	<p>Right Panel 1 PC</p>	<p>Partition Panel 1 PC</p>	<p>Bottom Panel 1 PC</p>
<p>F</p> 	<p>G</p> 	<p>H</p> 	<p>I</p> 	<p>J</p> 
<p>Fixed Shelf 1 PC</p>	<p>Back Panel 2 PCS</p>	<p>Corner 4 PCS</p>	<p>Leg 4 PCS</p>	<p>Cover 4 PCS</p>

HARDWARE LIST

 10*50mm	 7*38mm	 1/4*12mm	 Cam Bolt	 Cam Lock
Wood Dowel 24 PCS (Extra 1)	Tapping Bolt 2 PCS (Extra 1)	Bolt 4 PCS (Extra 1)	Cam Bolt 22 PCS (Extra 1)	Cam Lock 22 PCS (Extra 1)
 Screw	 Metal Plate	 Cam Sticker	 Binding Post	 M4 Allen Wrench
Screw 20 PCS (Extra 1)	Metal Plate 2 PCS	Cam Sticker 22 PCS (Extra 1)	Binding Post 4 SETS (Extra 1)	Allen Wrench 1 PC
 M2 Small Allen Wrench	 Safety Strap Kit			
Small Allen Wrench 1 PC	Safety Strap Kit 1 SET			

ADDITIONAL TOOLS (Not Provided)

Note: It is not recommended to use power tools during assembly.

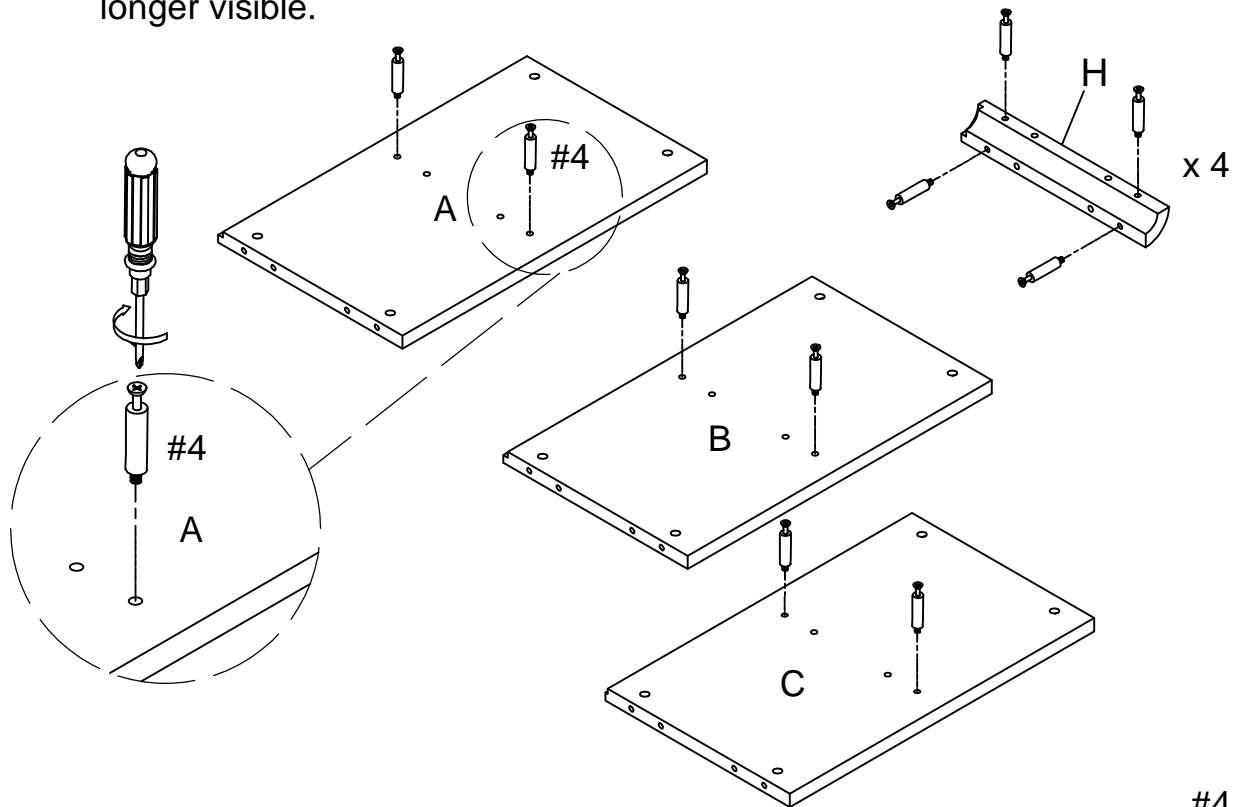


Phillips Head Screwdriver

Note: Wood dowels are intended for alignment. Additional clearance between wood dowel and pre-drilled hole is intentional for ease of assembly.

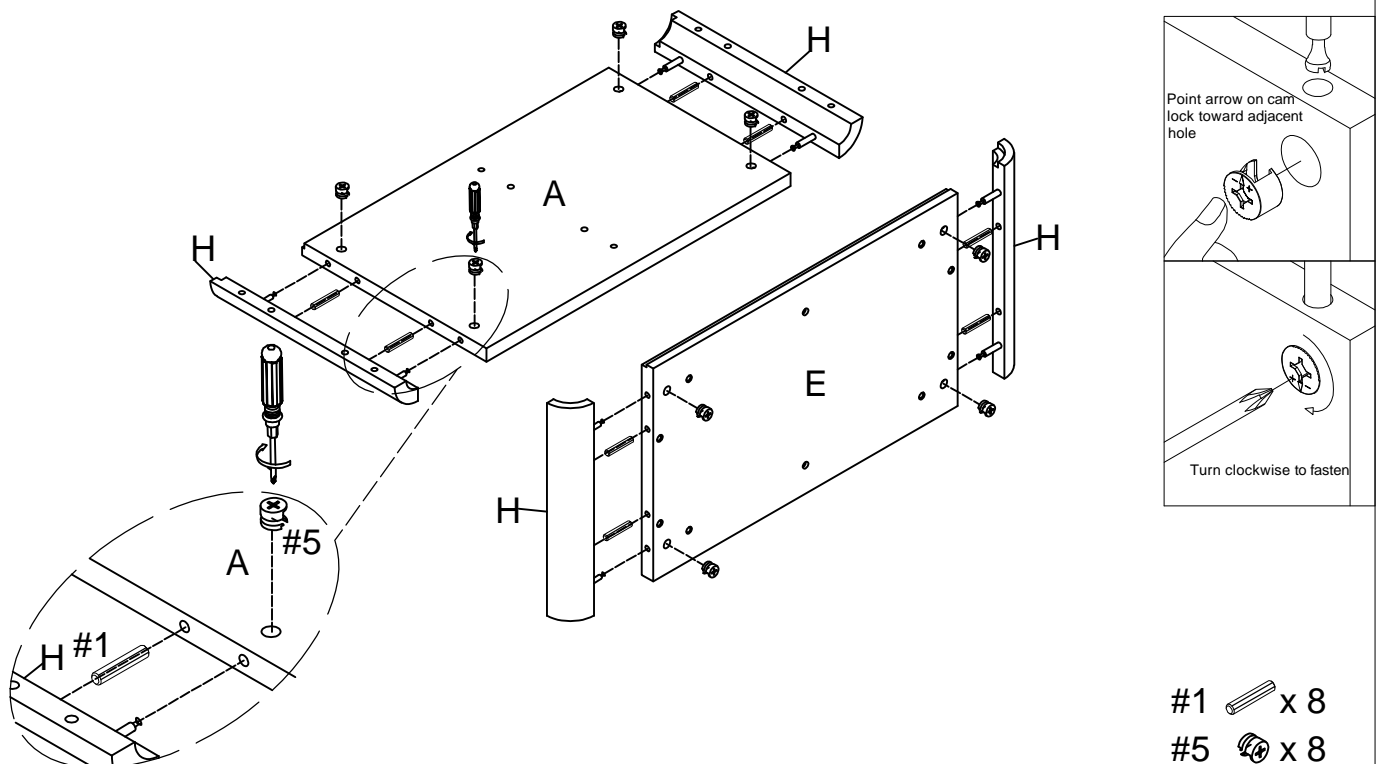
Step 1. Insert cam bolts (part #4) into pre-drilled holes of panels (parts A, B & C) and corners (part H) using phillips head screwdriver.

Note : Do not over tighten cam bolts. Stop tightening once threads on cam bolts are no longer visible.

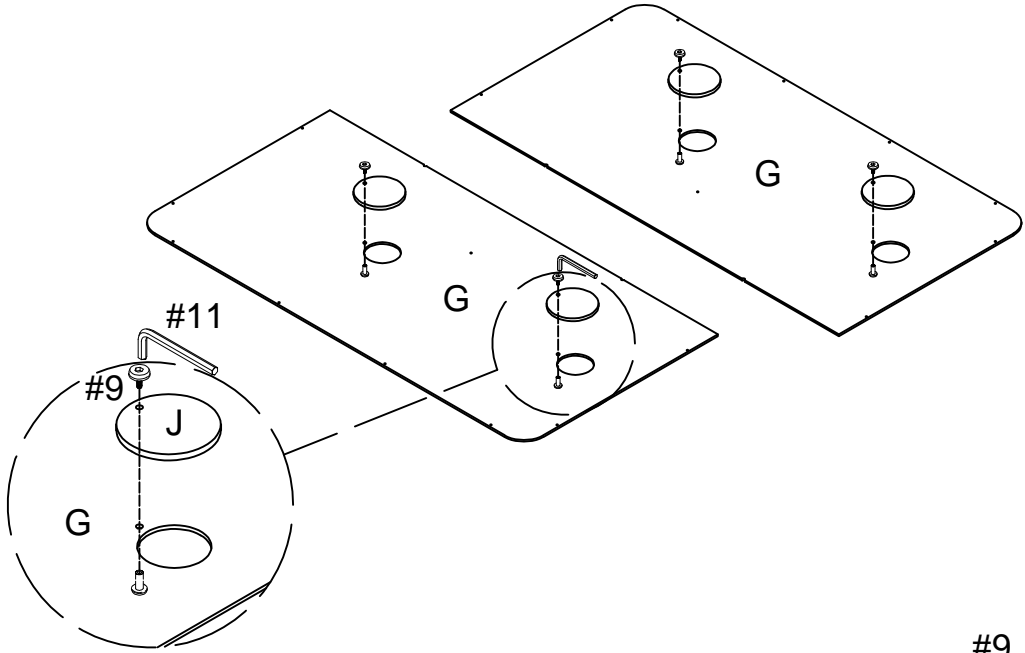


Step 2. Attach corners (part H) to panels (parts A & E) using wood dowels (part #1), cam locks (part #5) and phillips head screwdriver.

Note: Cam locks must rotate a full 180°. See pictured insert.

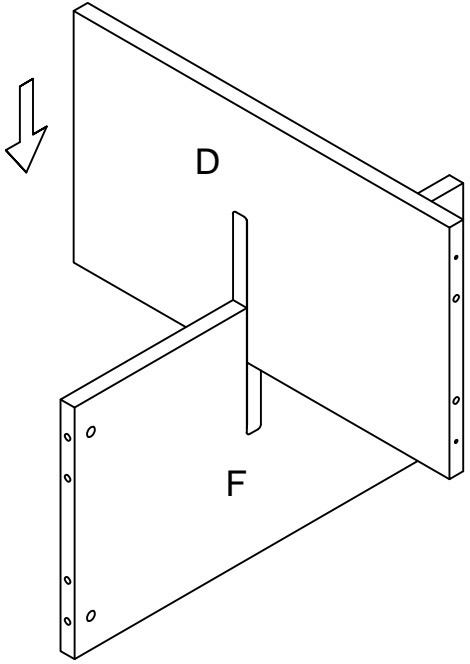


Step 3. Attach covers (part J) to back panels (part G) using binding posts (part #9) and small allen wrench (part #11).

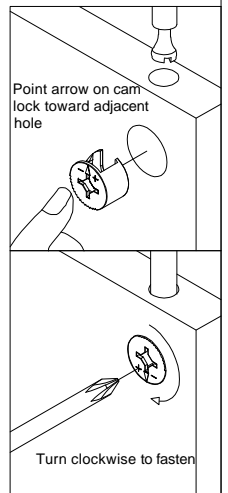
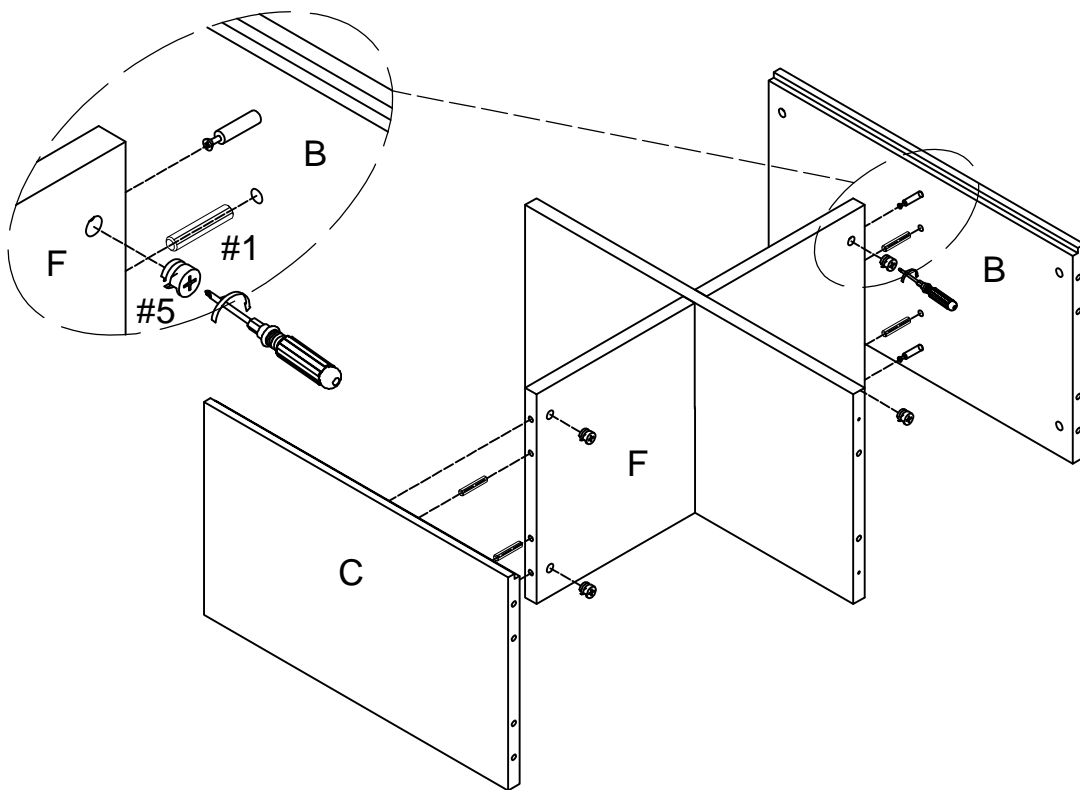




- #9  x 4
- #11  x 1

Step 4. Insert partition panel (part D) to fixed shelf (part F).

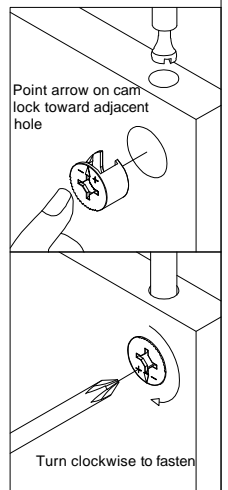
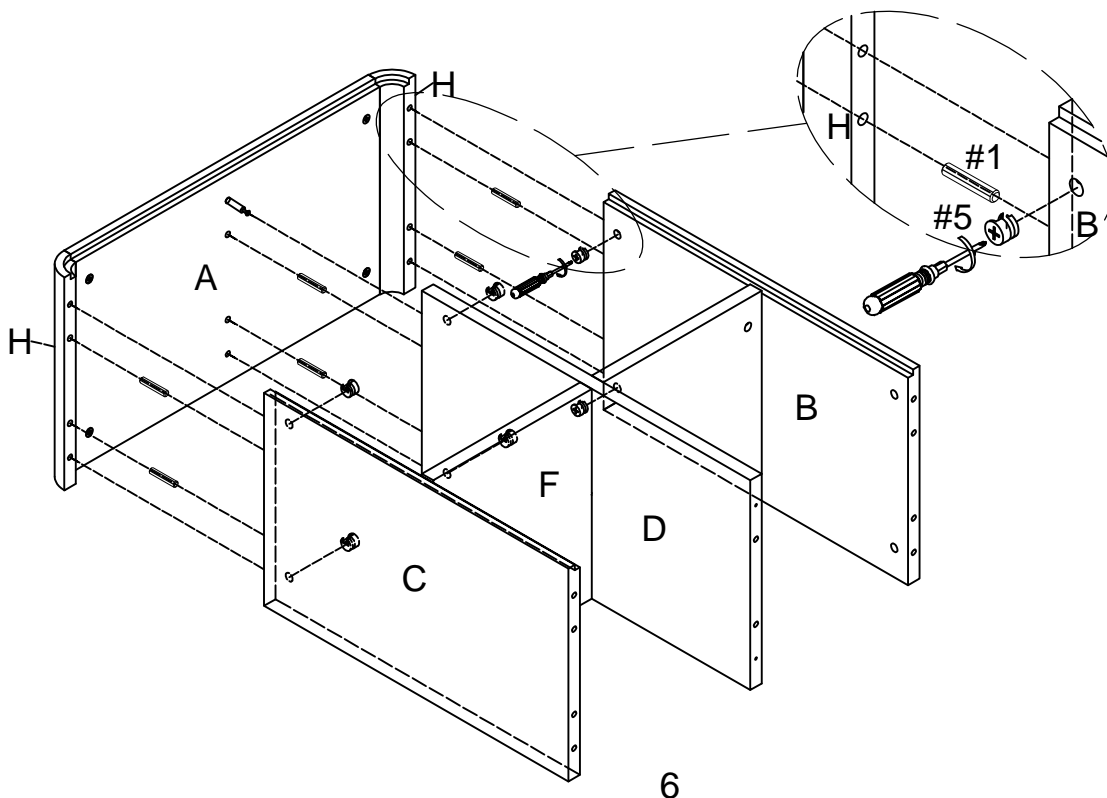




Step 5. Attach panels (parts B & C) to fixed shelf (part F) using wood dowels (part #1), cam locks (part #5) and phillips head screwdriver.
 Note: Cam locks must rotate a full 180°. See pictured insert.



- #1  x 4
- #5  x 4

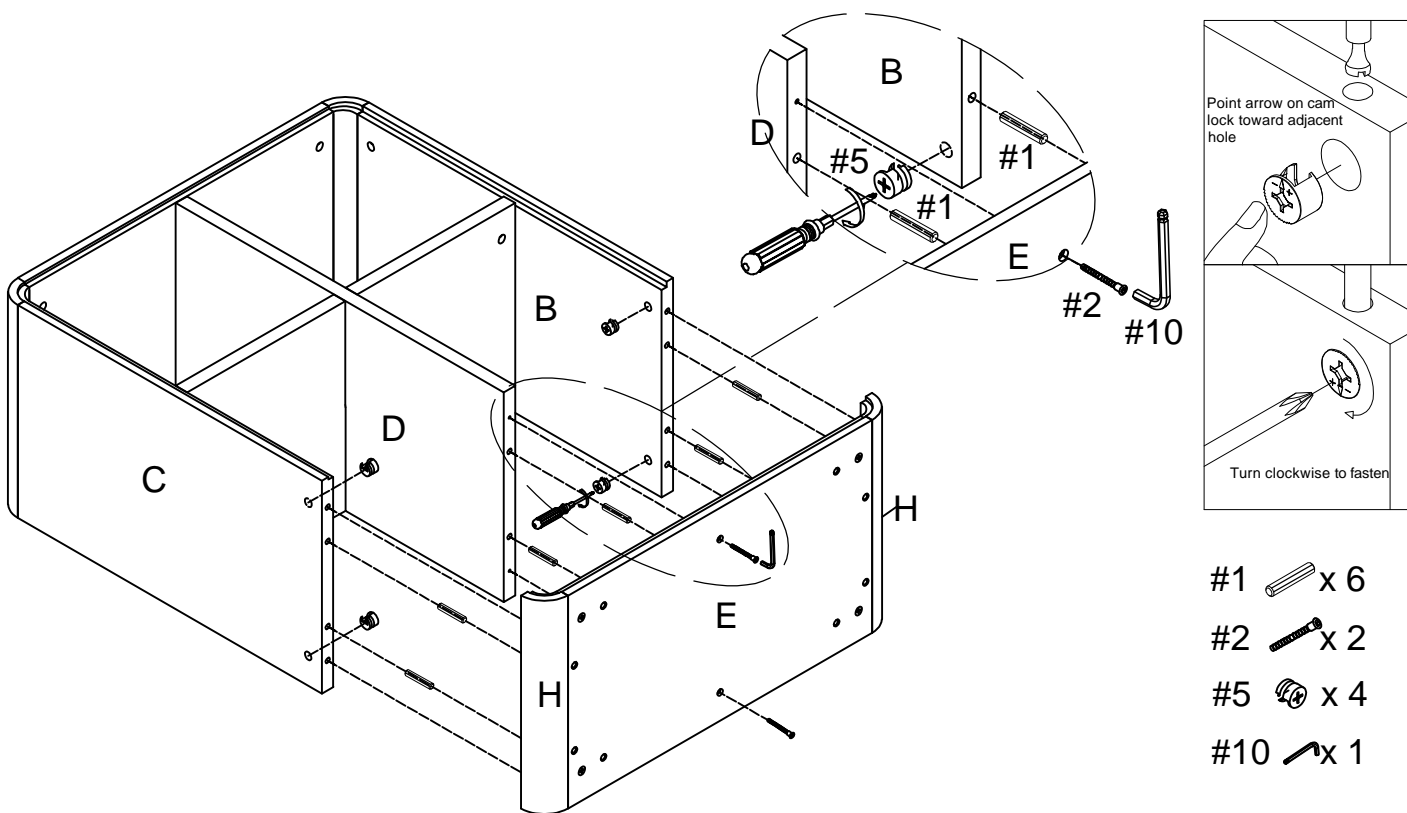
Step 6. Attach panel (parts A & H) to assembled unit (parts B, C & D) using wood dowels (part #1), cam locks (part #5) and phillips head screwdriver.
 Note: Cam locks must rotate a full 180°. See pictured insert.



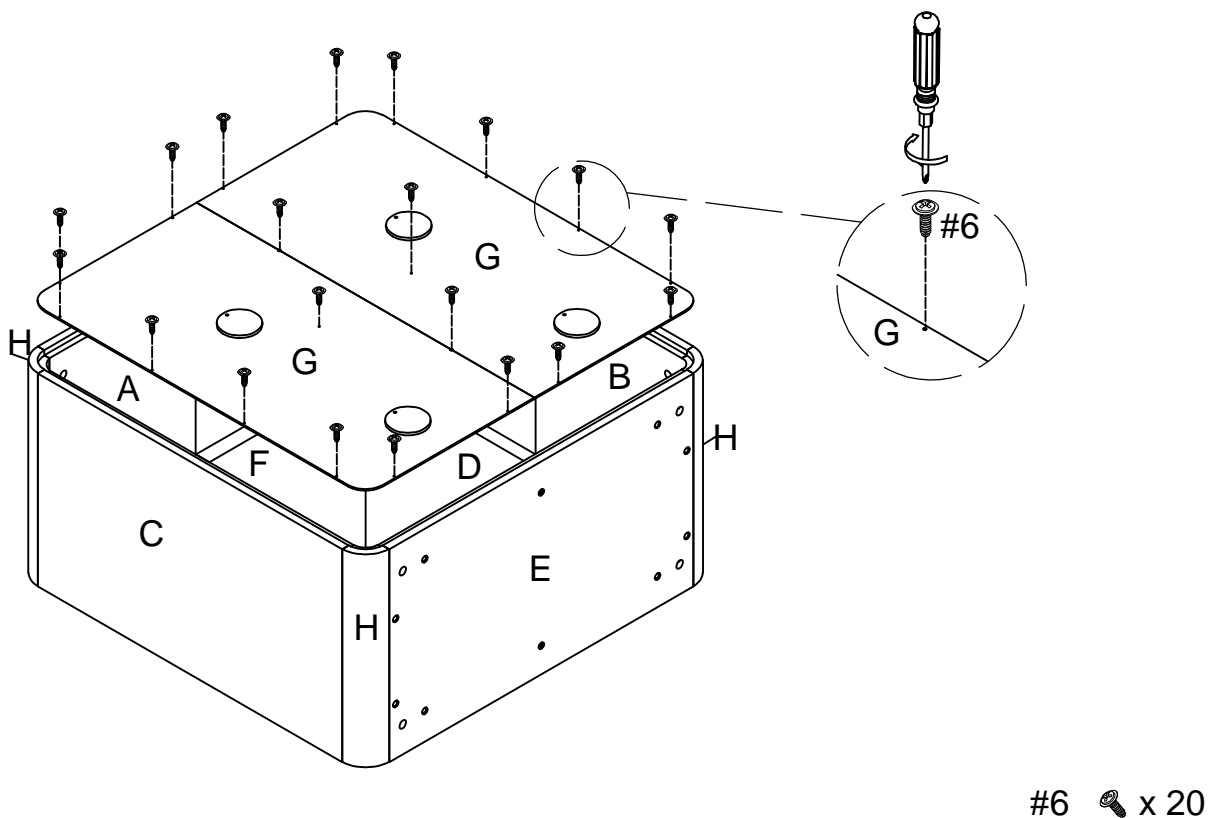
- #1  x 6
- #5  x 6

Step 7. Attach panel (parts E & H) to assembled unit (parts B, C & D) using wood dowels (part #1), tapping bolts (part #2), cam locks (part #5), allen wrench (part #10) and phillips head screwdriver.

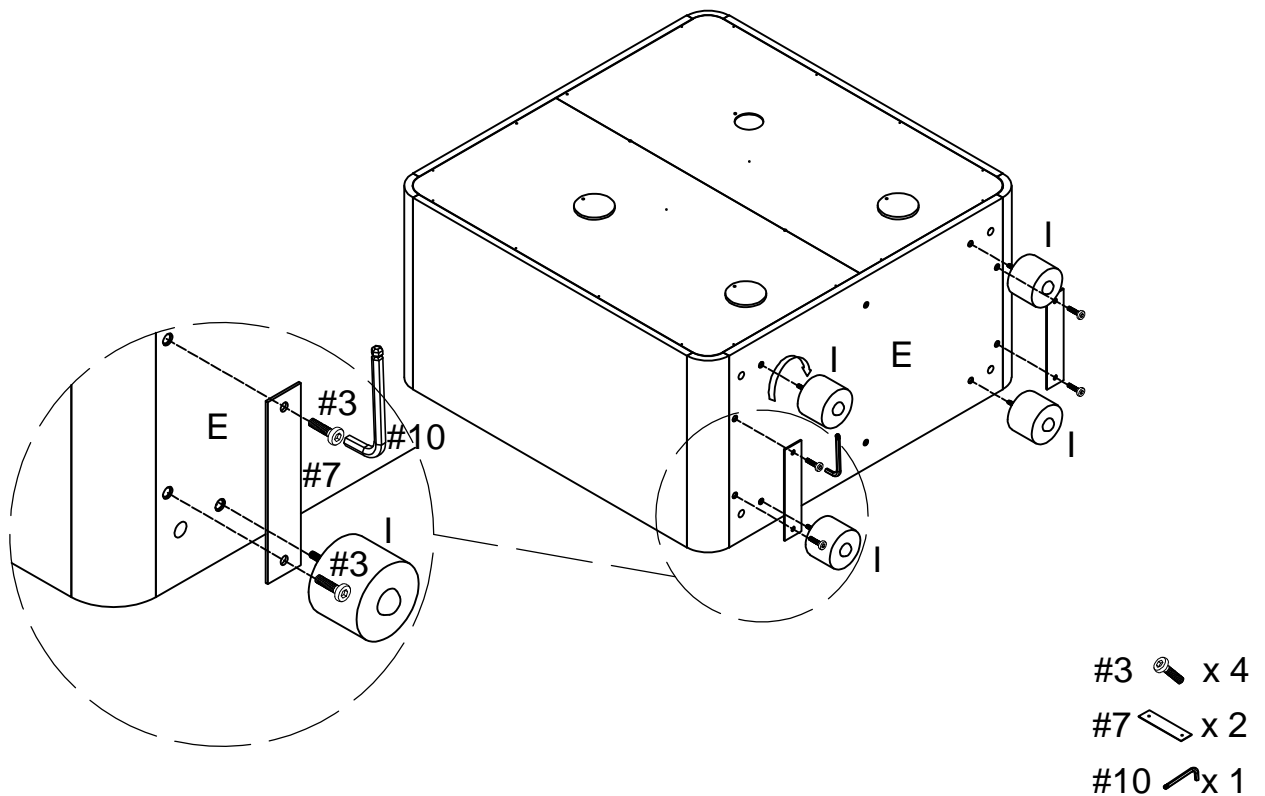
Note: Cam locks must rotate a full 180°. See pictured insert.



Step 8. Attach back panels (part G) to assembled unit (parts A, B, C, D, F, E & H) using screws (part #6) and phillips head screwdriver.



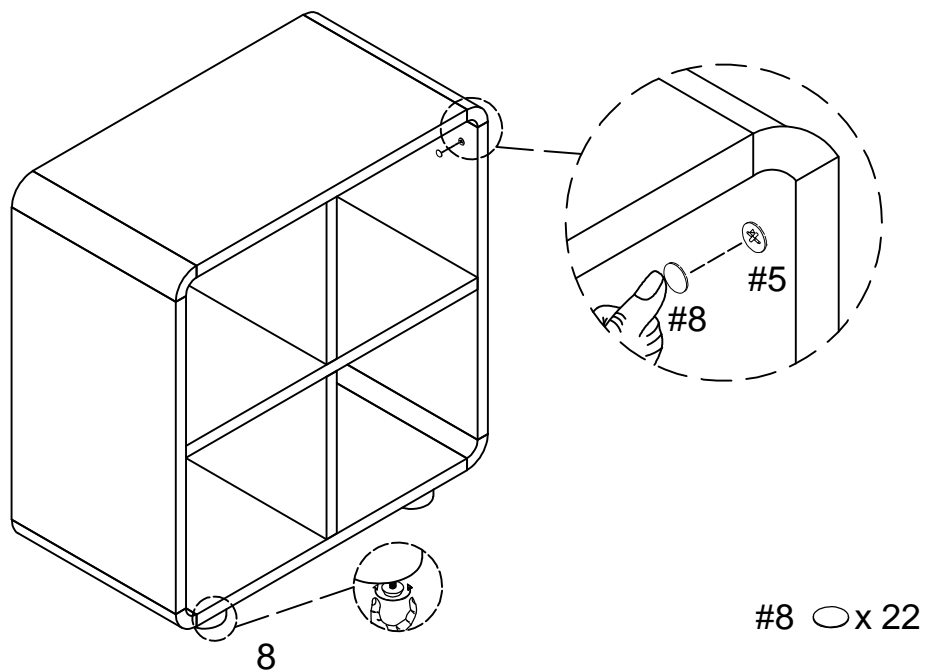
Step 9. Attach metal plates (part #7) to bottom panel (part E) using bolts (part #3) and allen wrench (part #10). Attach legs (part I) to bottom panel (part E).

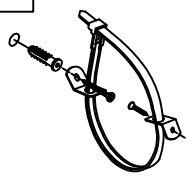




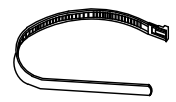


Step 10. Carefully turn unit upright. Attach cam stickers (part #8) to the hole of cam locks (part #5).

Important: Safety strap kit (part #12) must be installed to prevent tipping damage and/or injury.

Note: It is important to adjust levelers once fully assembled and upright. Extend adjustable leveler until it's firmly in contact with the floor. If relocating, adjust leveler as needed until it's firmly in contact with the floor in new location.



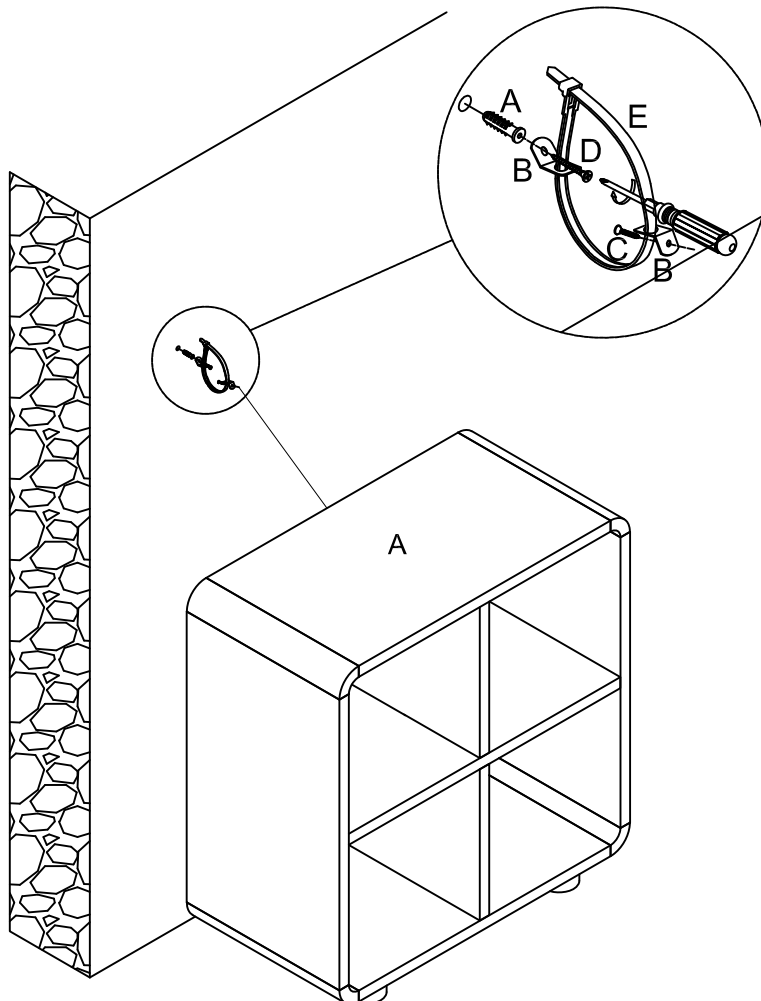
#12	A	B	C	D	E
			 8*3*15mm	 8*4*35mm	
Safety Strap Kit 1 SET	Wall Anchor 1 PC	Bracket 2 PCS	Short Screw 1 PC	Long Screw 1 PC	Safety Wall Strap 1 PC

SAFETY WALL STRAP INSTALLATION

Note: It is highly recommended to install this safety strap kit to prevent tipping, damage and/or injury.

1. Insert short screw (C) and safety wall strap (E) through bracket (B) and attach to top panel (part A) using phillips head screwdriver.
2. Drill a 11/32" hole where you want to secure the unit. The drilled hole will be at the same height as the hole in top panel (part A) where bracket (B) is attached. Tap wall anchor (A) into the hole.
3. Insert long screw (D) and safety wall strap (E) through bracket (B) into wall anchor (A) using phillips head screwdriver.

Note: This item is not intended for clothing storage use.



⚠ WARNING



Children have died from furniture tipover. To reduce the risk of furniture tipover:

- ALWAYS install tipover restraint provided.
- NEVER put a TV on this product.
- NEVER allow children to stand, climb or hang on drawers, doors, or shelves.
- NEVER open more than one drawer at a time.
- Place heaviest items in the lowest drawers.

*This is a permanent label.
Do not remove!*