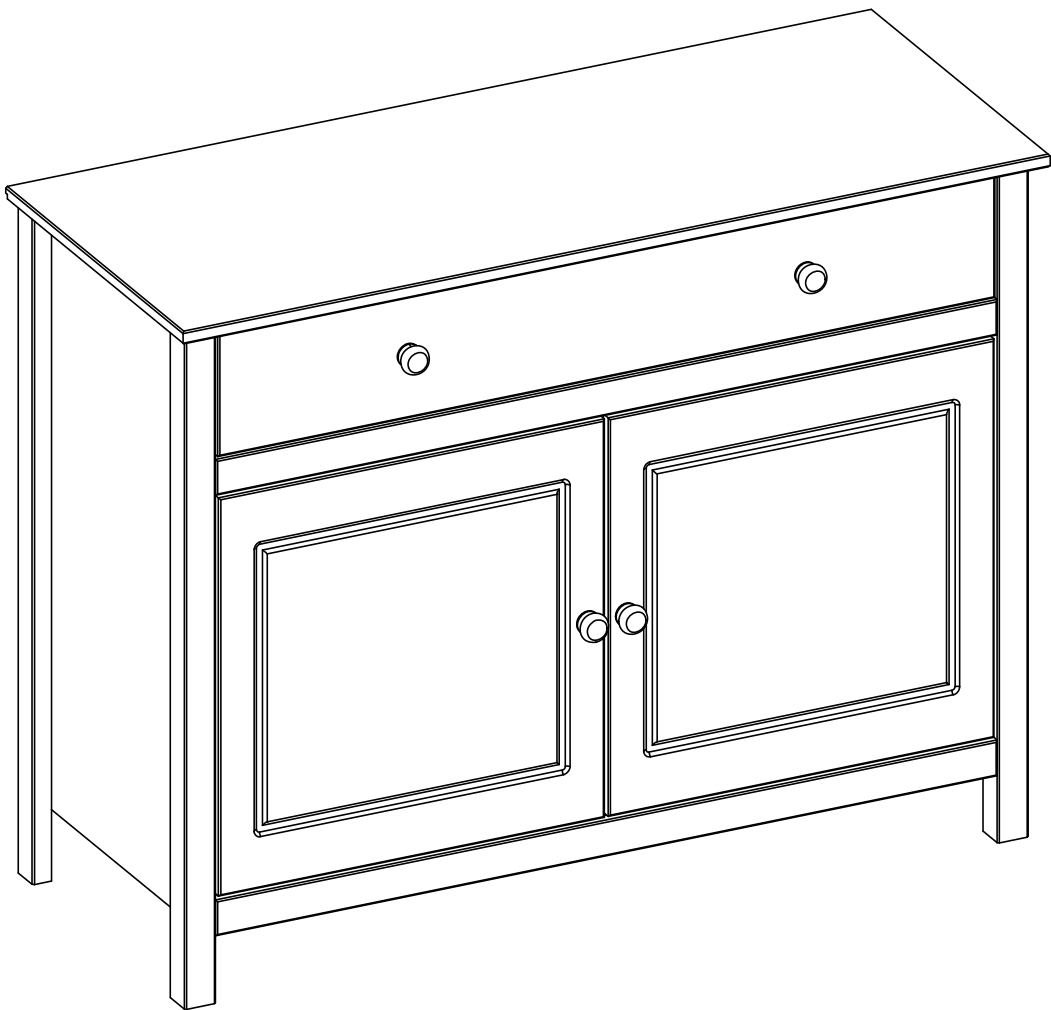
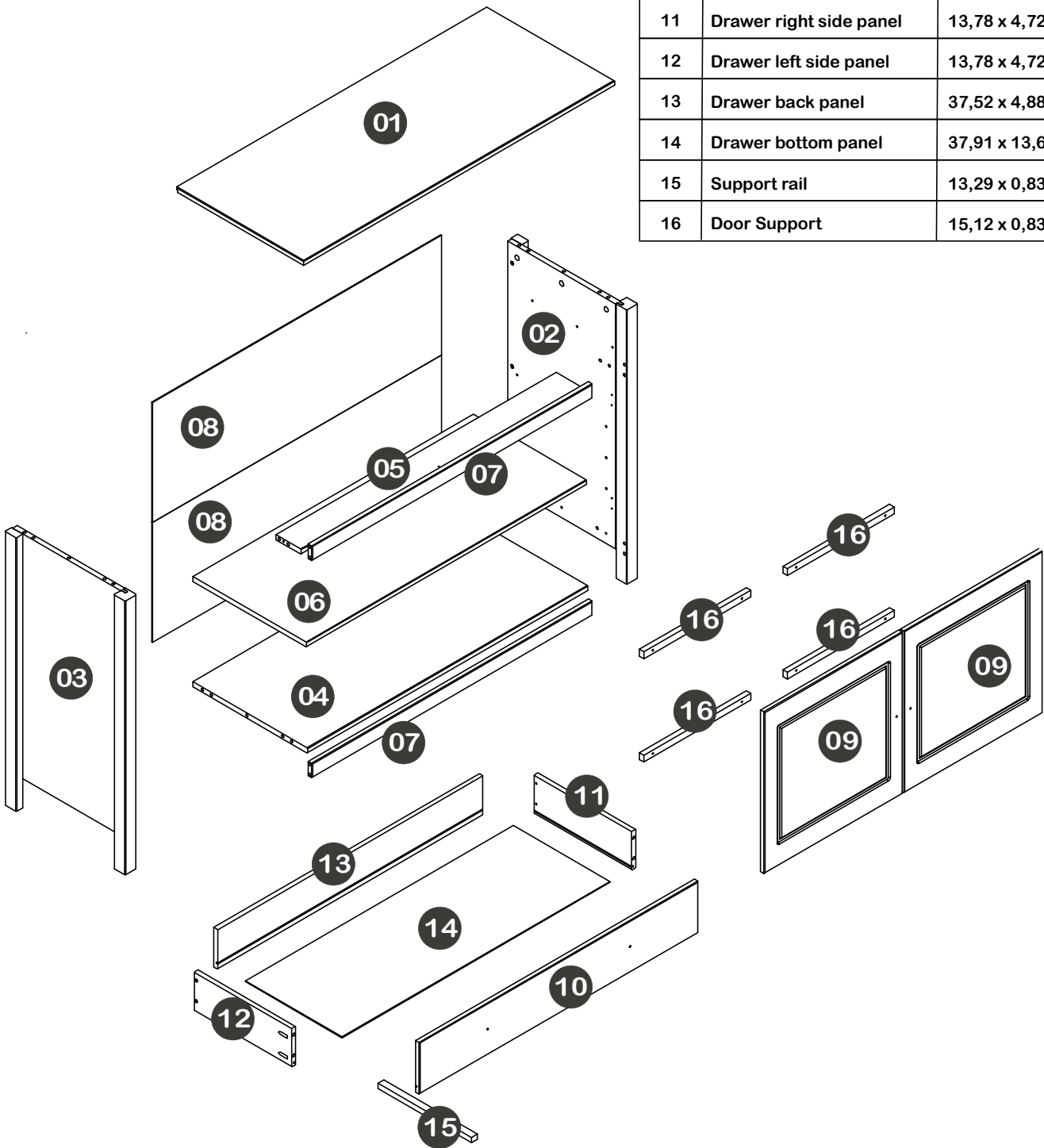
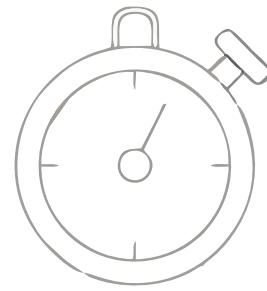
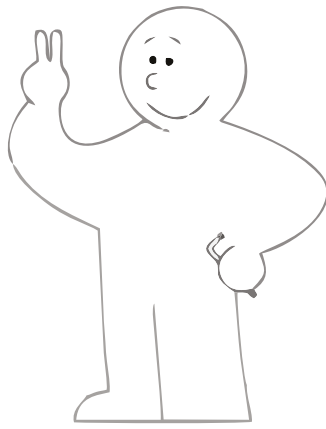
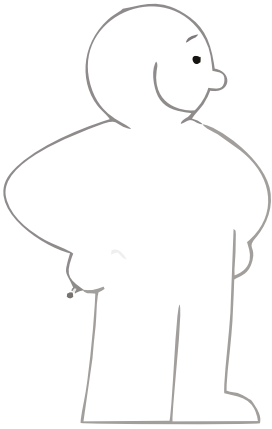


2 DOOR 1 DRAWER SIDEBOARD

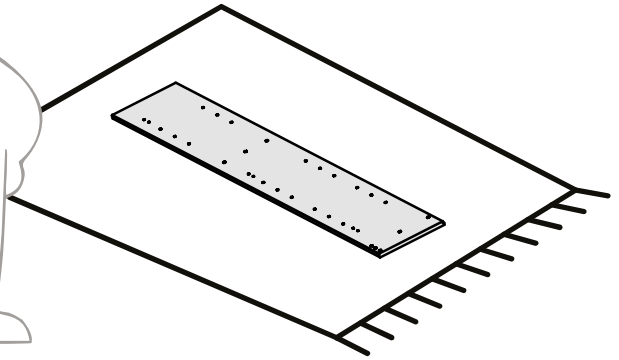
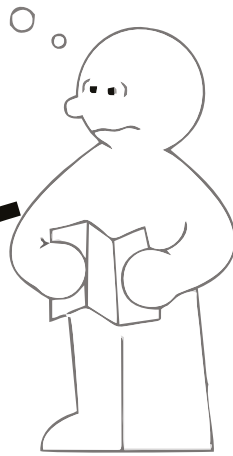
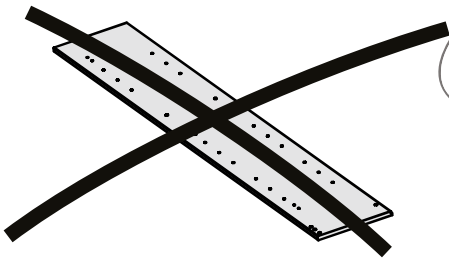


Part	Description	Dimensions (in)	Qty.
01	Top panel	43,97 x 17,99	01
02	Right side panel	33,42 x 17,01	01
03	Left side panel	33,42 x 17,01	01
04	Bottom panel	39,64 x 16,22	01
05	Large Rail	39,64 x 3,54	01
06	Shelf	39,61 x 16,06	01
07	Front Rail	39,64 x 1,77	02
08	Back Panel	40,83 x 14,64	02
09	Door	19,72 x 19,56	02
10	Drawer front panel	39,41 x 6,29	01
11	Drawer right side panel	13,78 x 4,72	01
12	Drawer left side panel	13,78 x 4,72	01
13	Drawer back panel	37,52 x 4,88	01
14	Drawer bottom panel	37,91 x 13,66	01
15	Support rail	13,29 x 0,83	01
16	Door Support	15,12 x 0,83	04

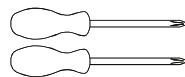
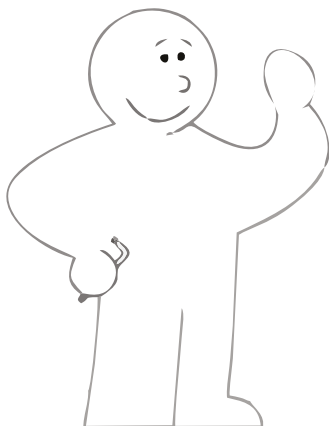




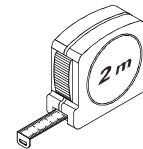
40 Min



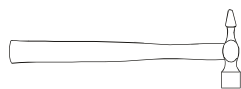
Tools required



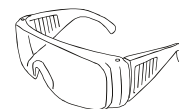
**Phillips screwdriver
(medium & large)**



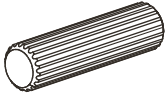
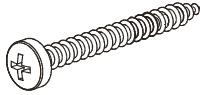
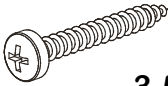


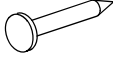
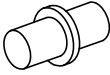
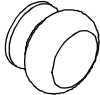
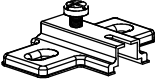

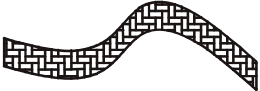

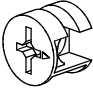
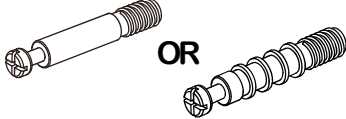


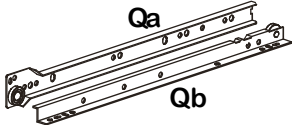
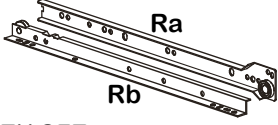

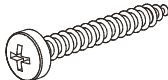
**Ruler/tape
measure**



**Small
hammer**



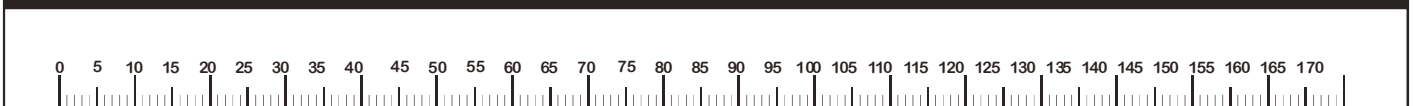
**Eye protection
(when using a
hammer or glue)**

A	 8x30mm	24	B	 4,0x40mm	04
C	 3,5x30mm	13	D	 12x16mm	02
E	 4,0x16mm	16	F		32
G		04	H		04
I		04	J		04
K		01	L		02
M		12	N	 OR	12
O	 6,0x10mm	06	P	 3,0x16mm	11
Q	 Qa Qb LEFT SET	01	R	 Ra Rb RIGHT SET	01
S		02	T	 4,0x25mm	12

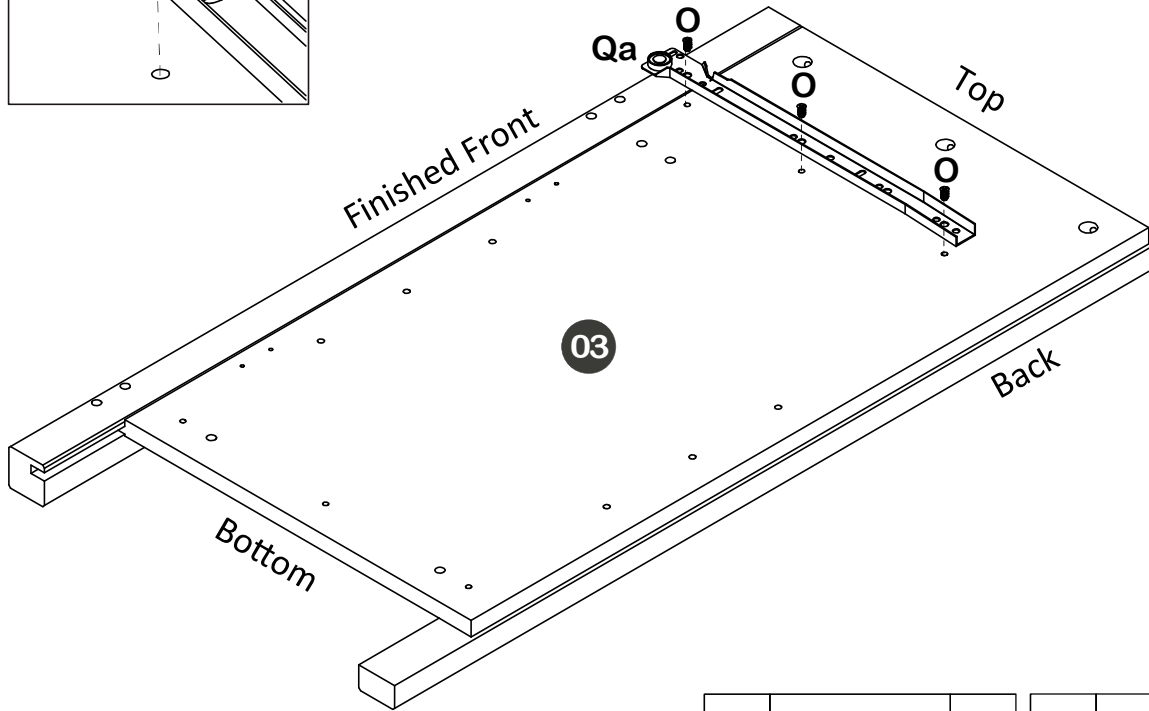
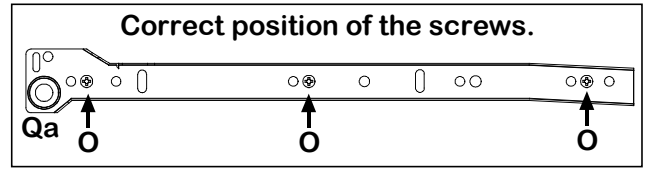
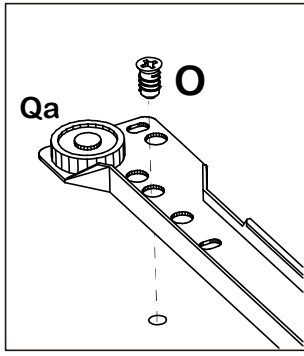



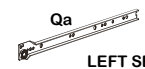
HARDWARE IS LOCATED INSIDE A CARDBOARD BOX! CHECK FOR IT BEFORE DISPOSING PACKAGING

Ruler - Use this ruler to help correctly identify the screws

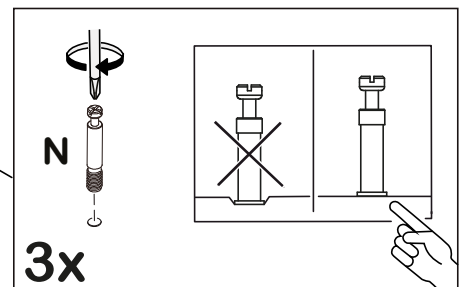
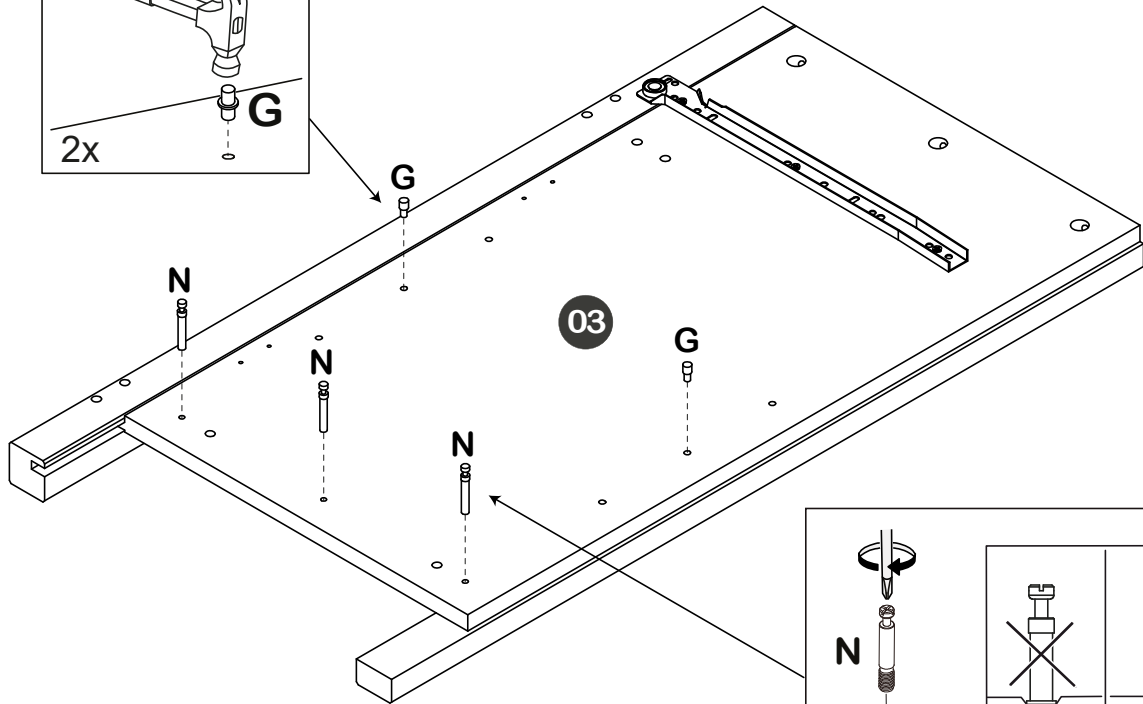
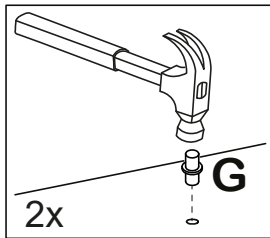


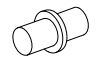
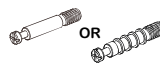

01



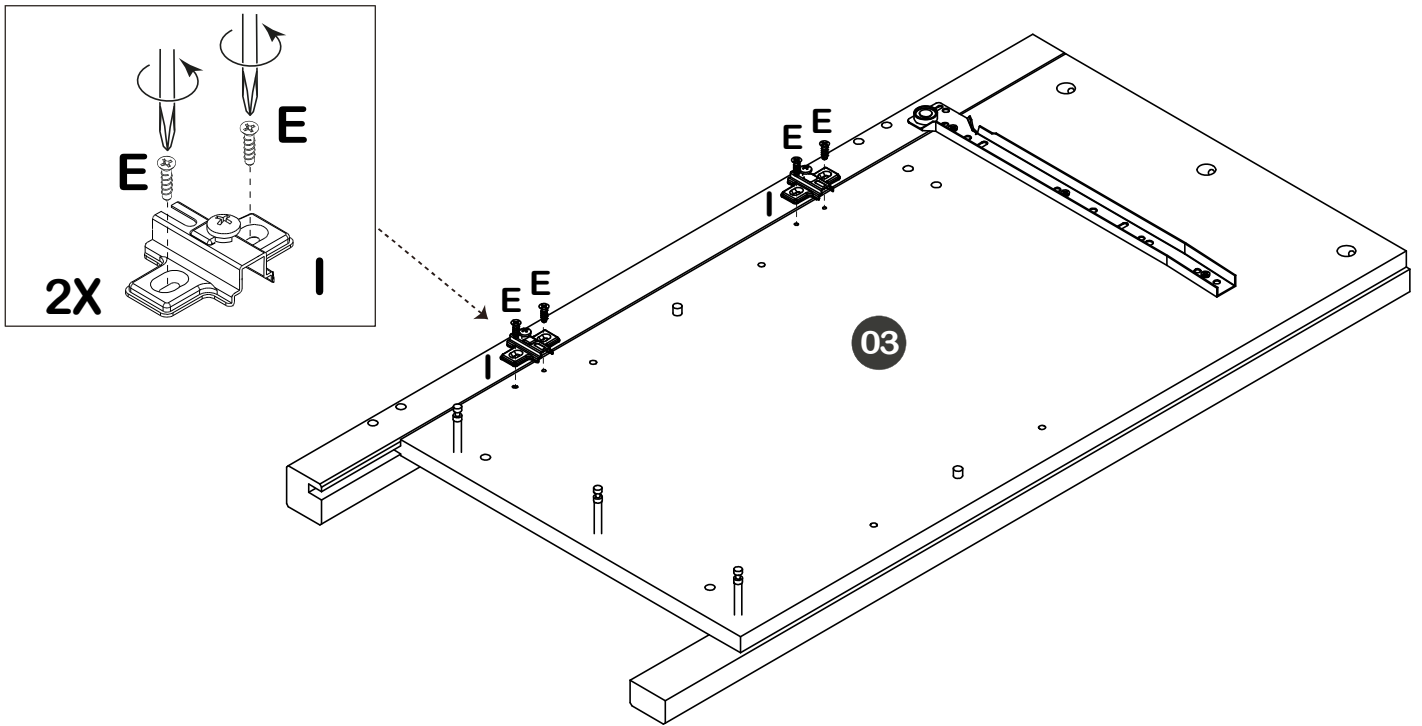
O	 6,0x10mm	03	Q	 Qa	01
					LEFT SET



02



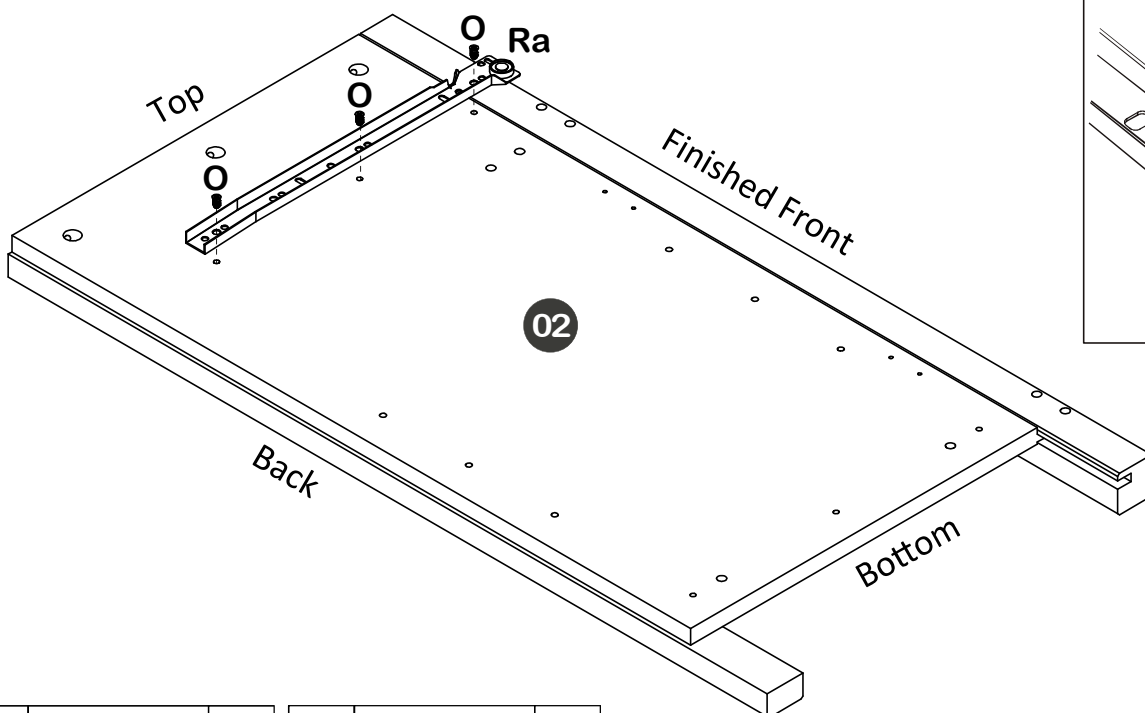
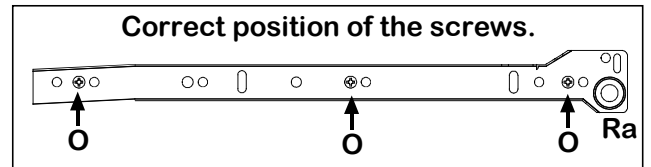
G		02
N	 OR 	03



03



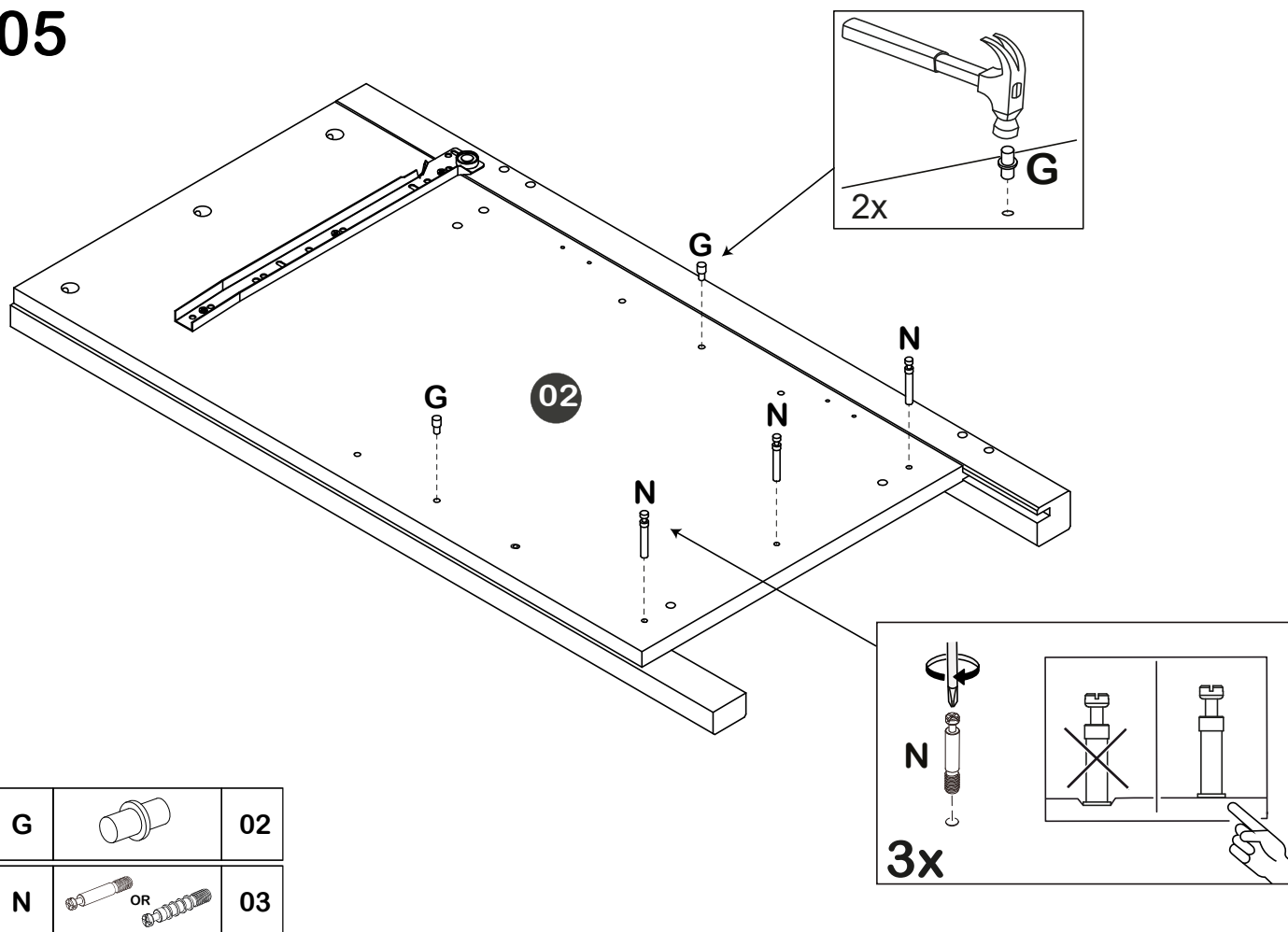
E	 4,0x16mm	04
I		02

04

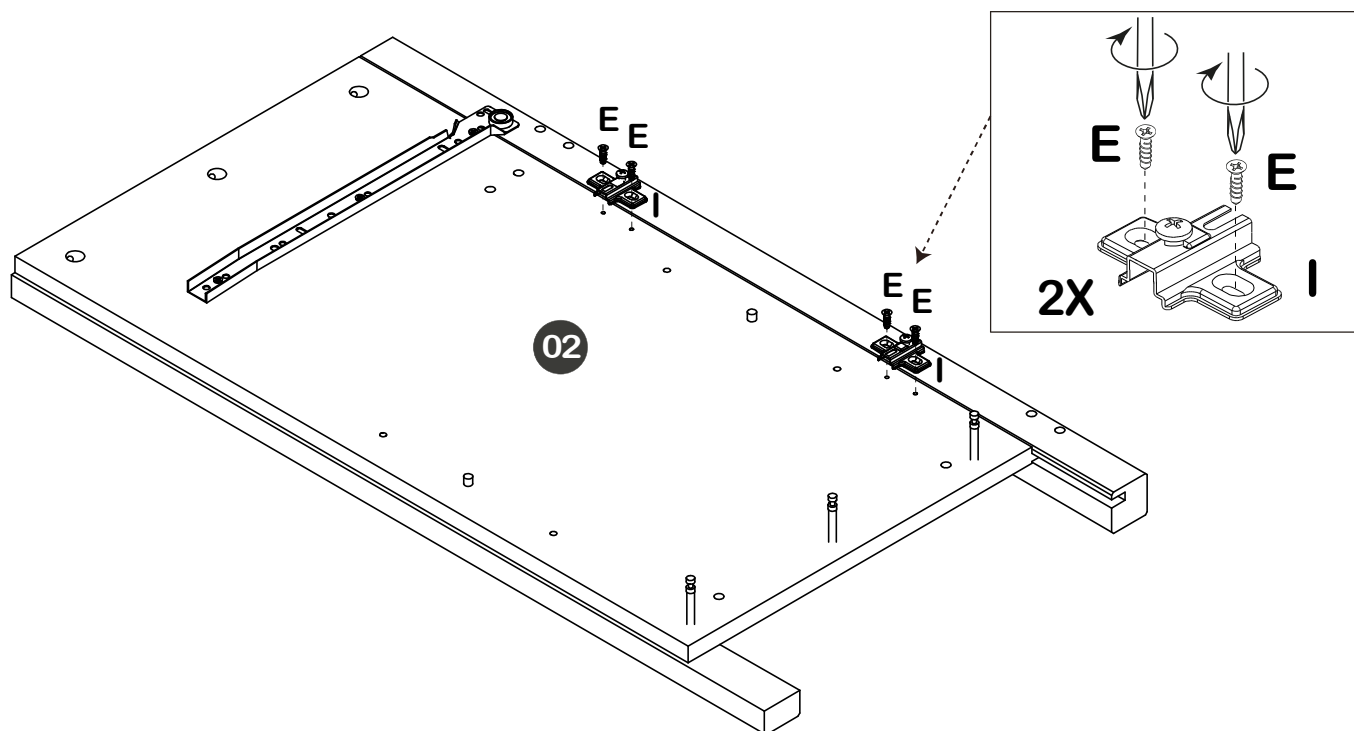




O	 6,0x10mm	03	R	 Ra RIGHT SET	01
---	---	----	---	--	----

05

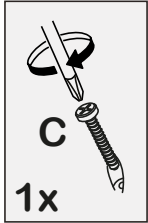
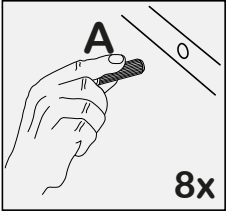


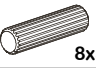
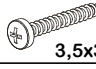

06

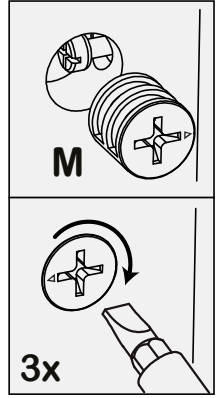
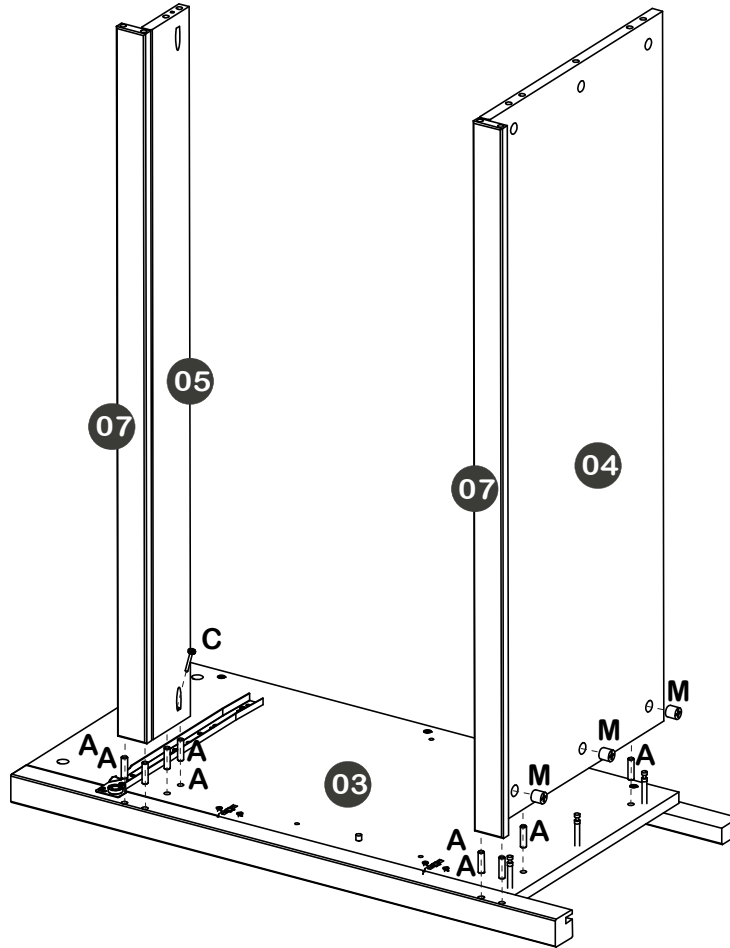


E	 4,0x16mm	04
I		02

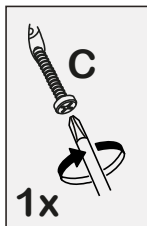
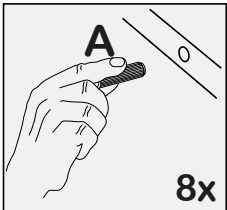
07

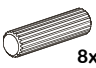
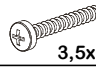
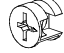


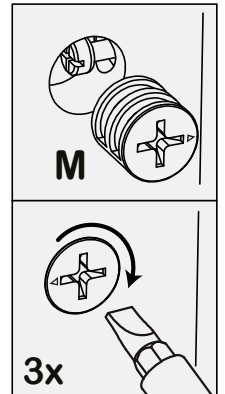
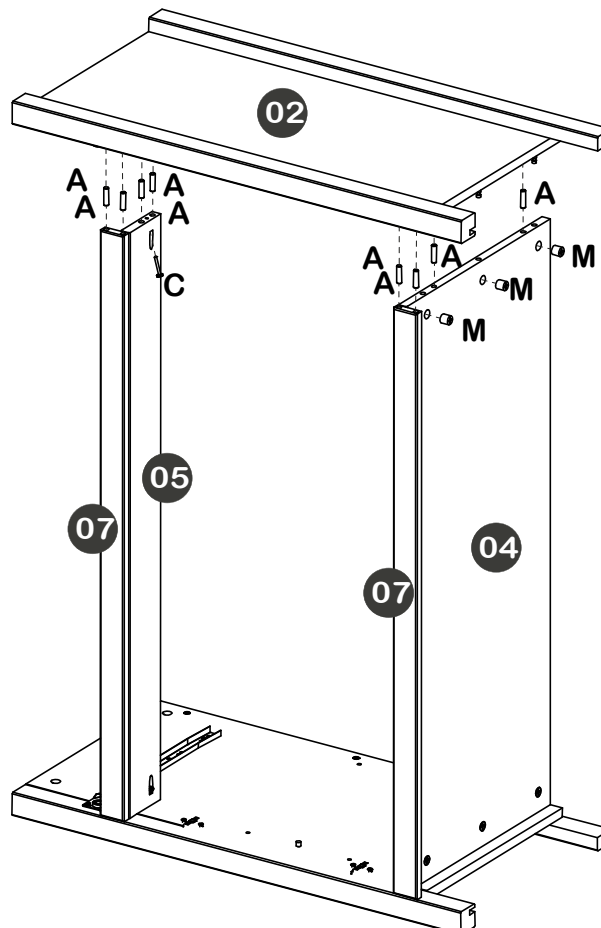
A	 8x30mm	08
C	 3,5x30mm	01
M		03



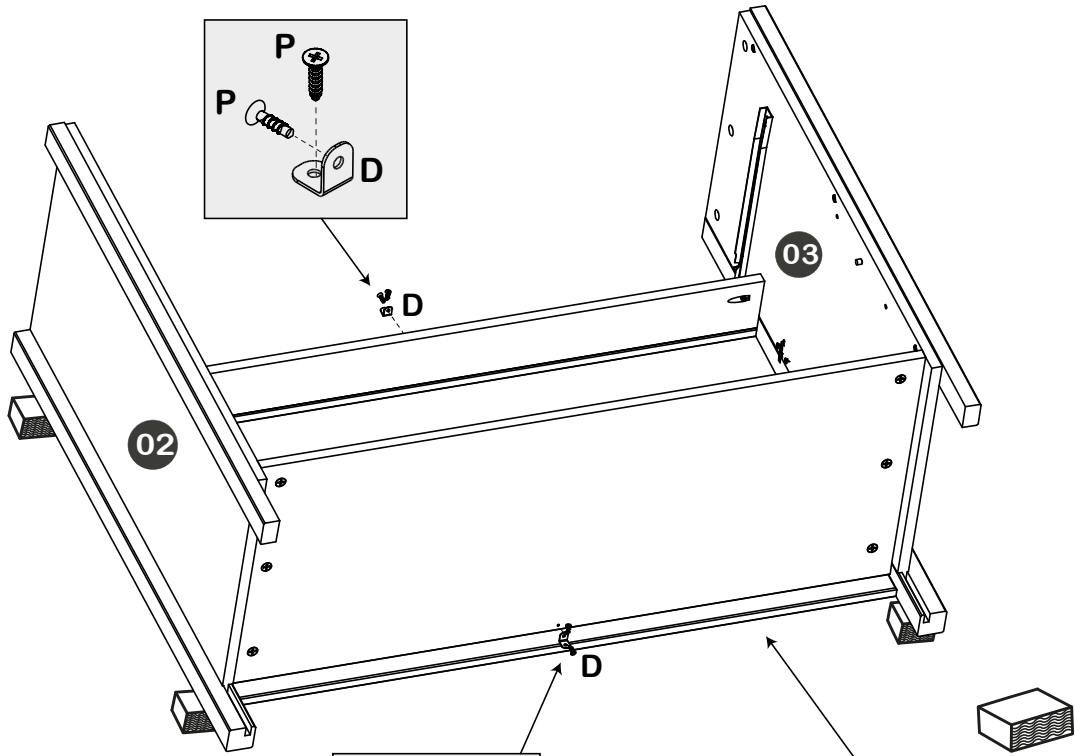
08


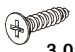


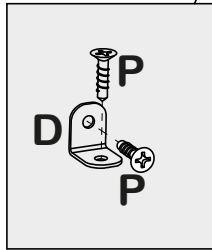
A	 8x30mm	08
C	 3,5x30mm	01
M		03



09

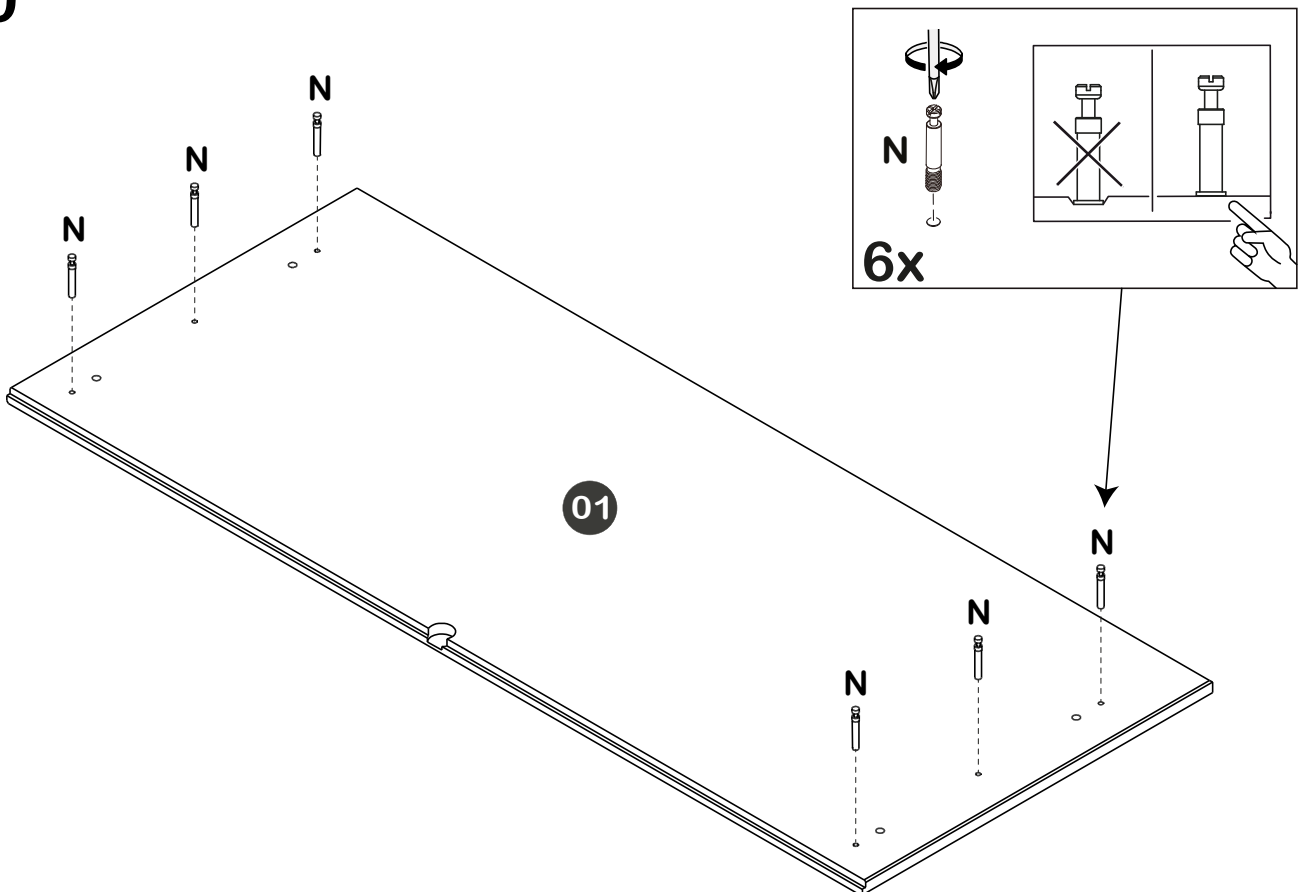



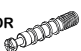
D	 12x16mm	02
P	 3,0x16mm	04



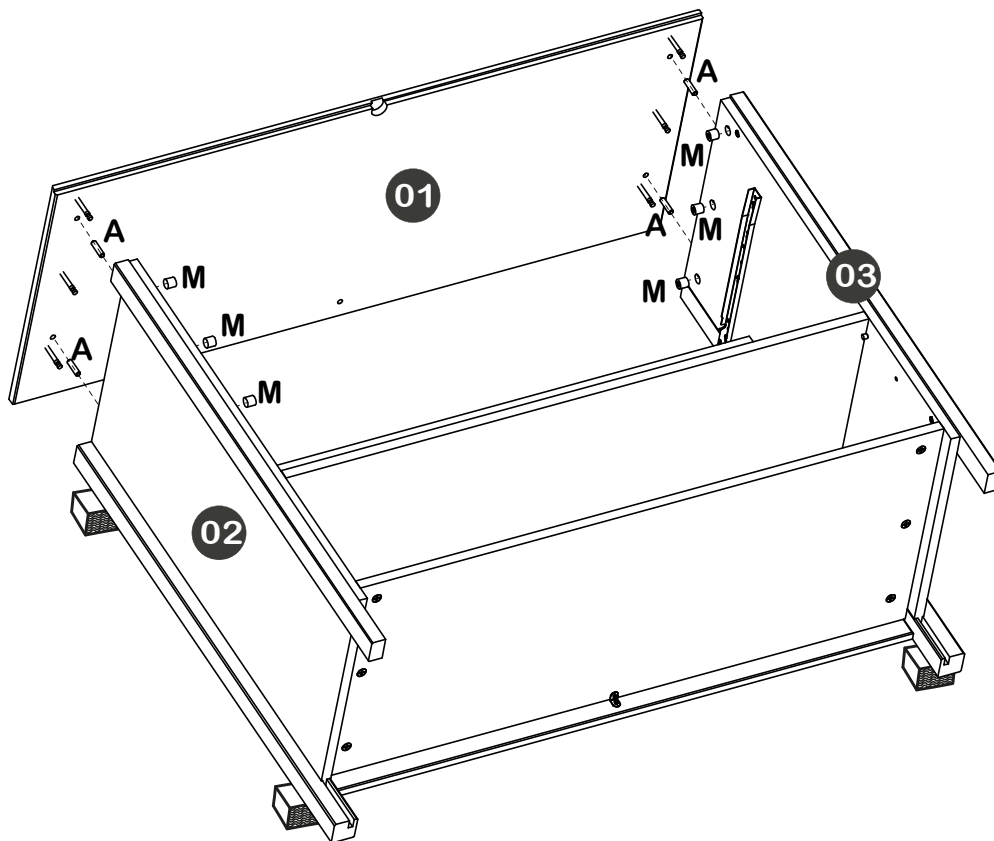
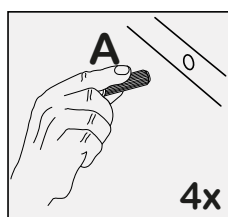
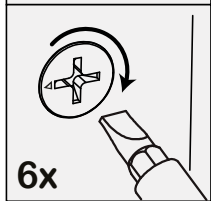
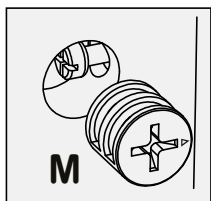
Tip: To not damage the top panel edge, place a piece of cardboard under the top panel, and in the gap under the side panel allowing a better control.

10



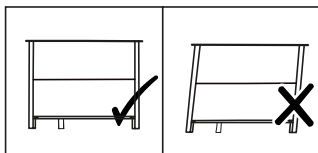
N	 OR 	06
---	--	----

11

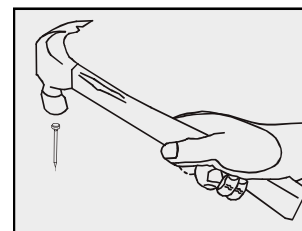


M		06	A		04
				8x30mm	

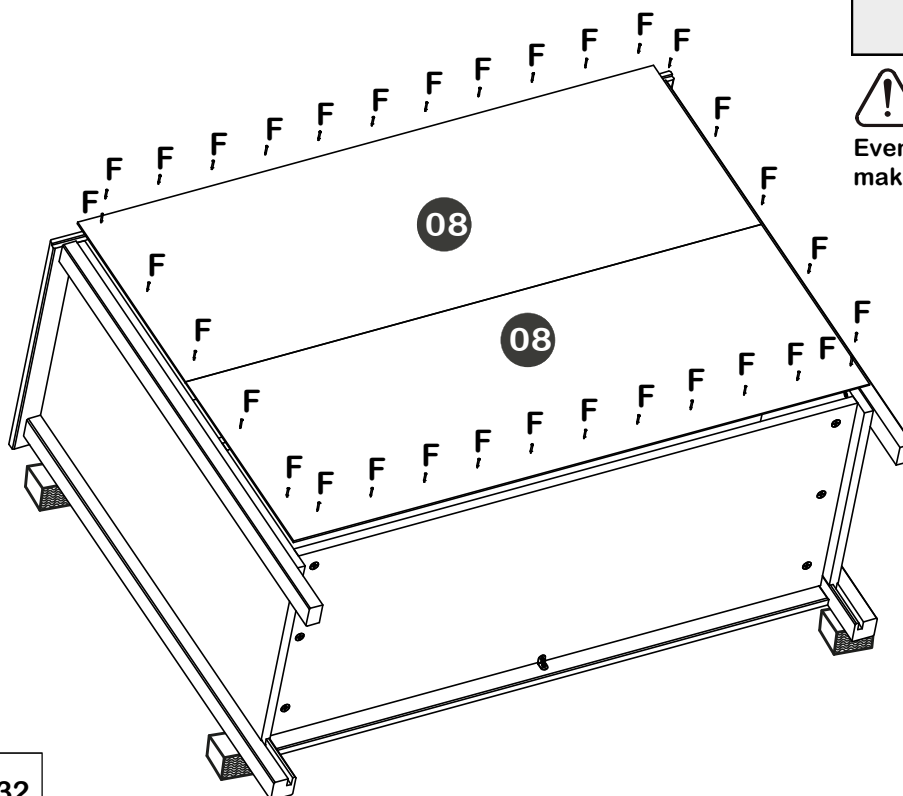
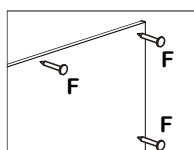
12



Important:
Cabinet **MUST** be 'square' when back panel is attached.



Use all back panels nails.
Evenly spaced, they help make the unit strong.

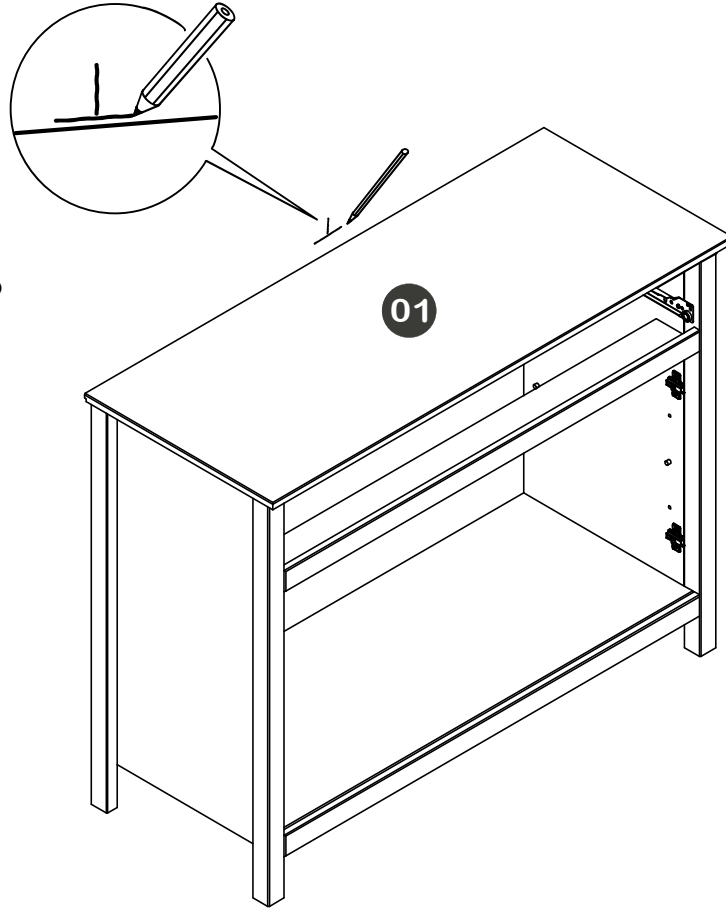


F		32
---	--	----

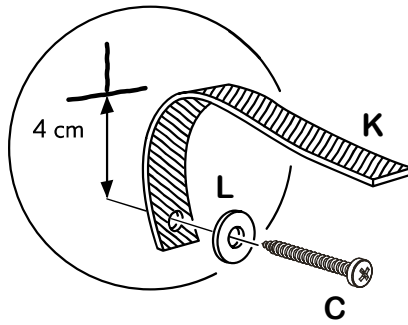
13



Position the furniture into place and make a mark to the wall, as shown.



14






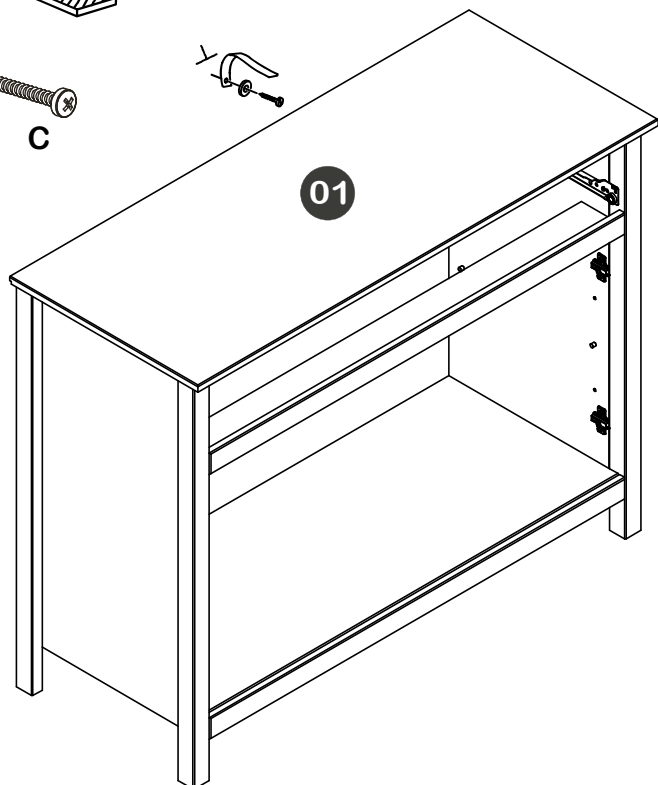
With help, carefully move the furniture away to access the mark in the wall.

Drill hole on wall 4 cm below the mark, as shown in the diagram.



Before drilling, check wall for hidden pipen and cables.

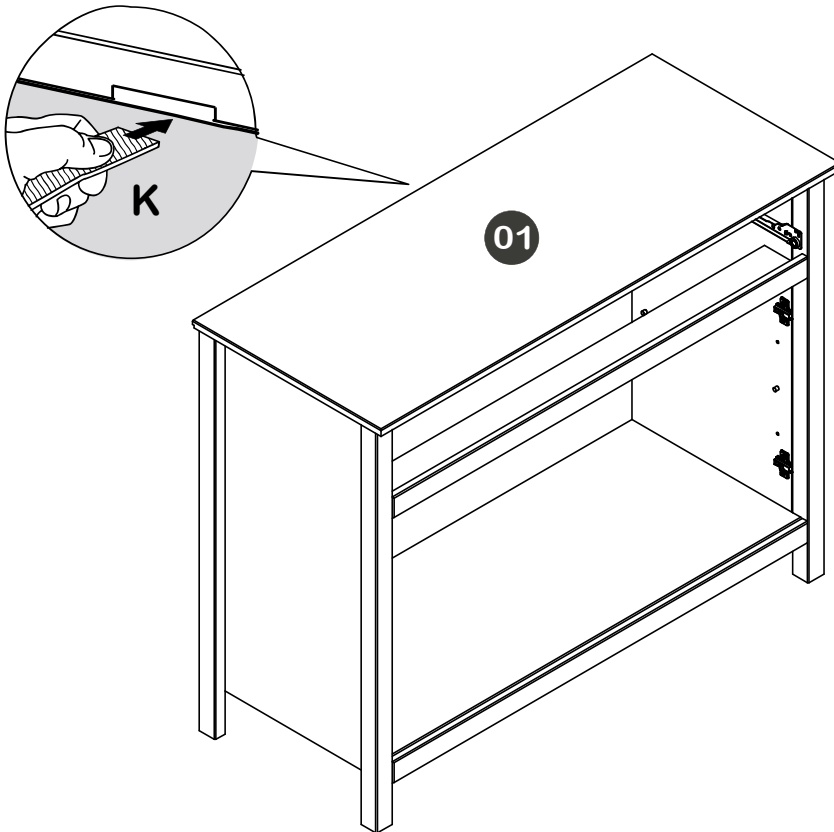
C	 3,5x30mm	01
K		01
L		01



15



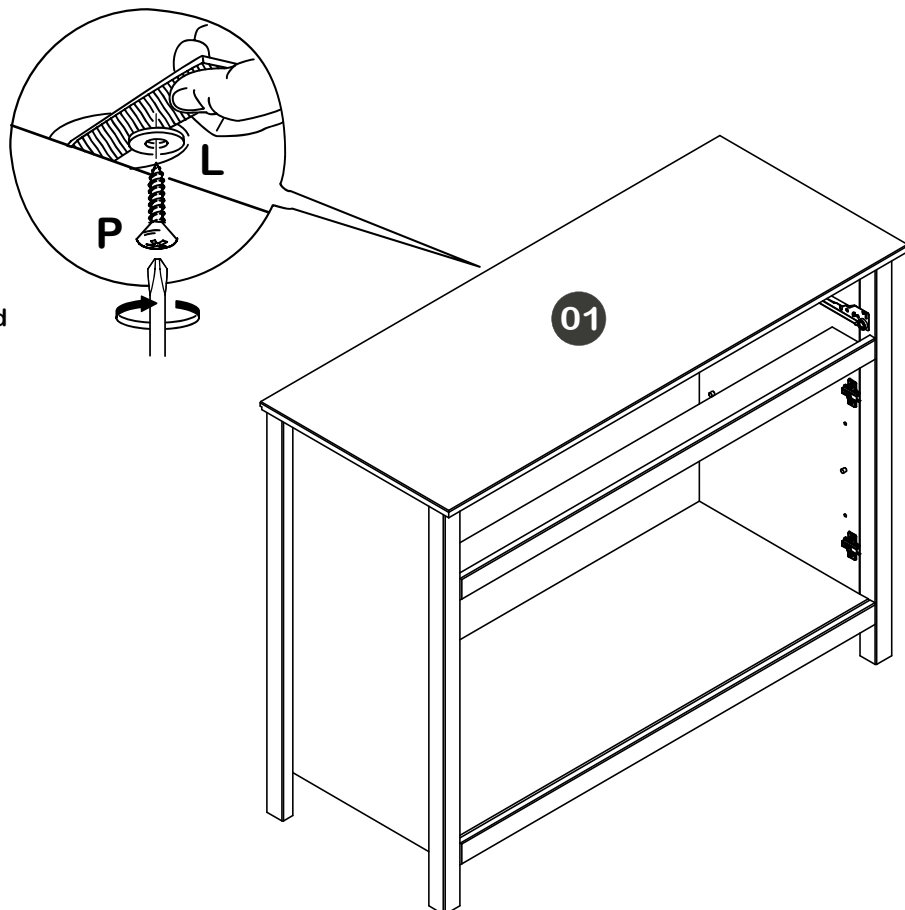
With help, carefully move the furniture back to position and insert wall strap into slot on top panel, as shown.





16



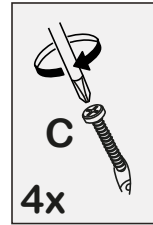
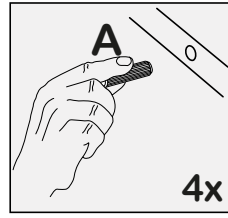
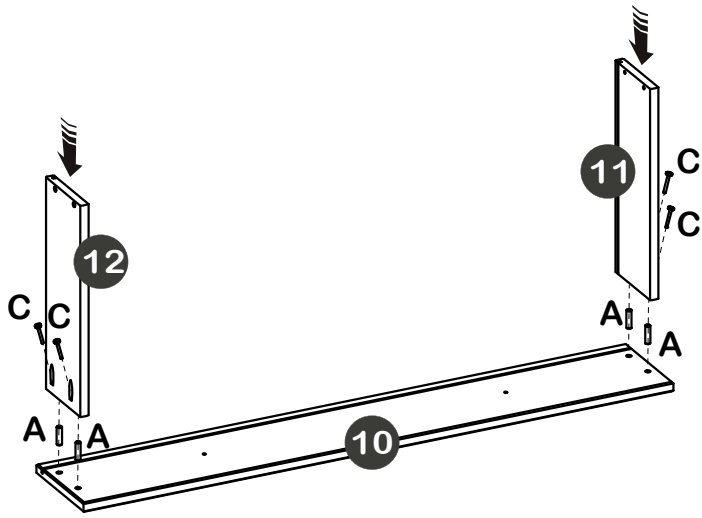
Inside the cabinet, hold wall strap in position and fix it using washer and screw, as shown.



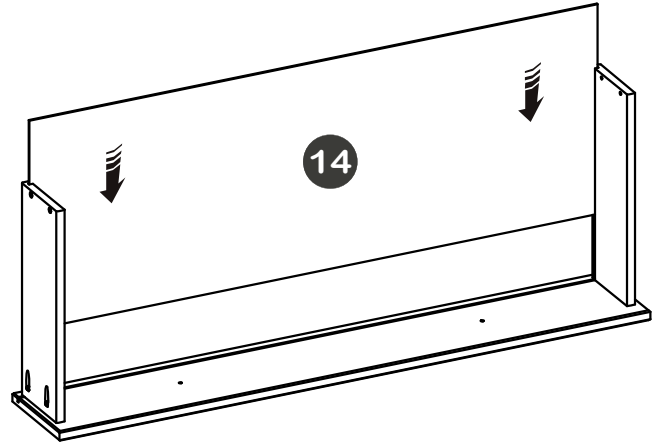
P	 3,0x16mm	01
L		01

17

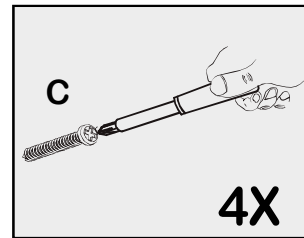
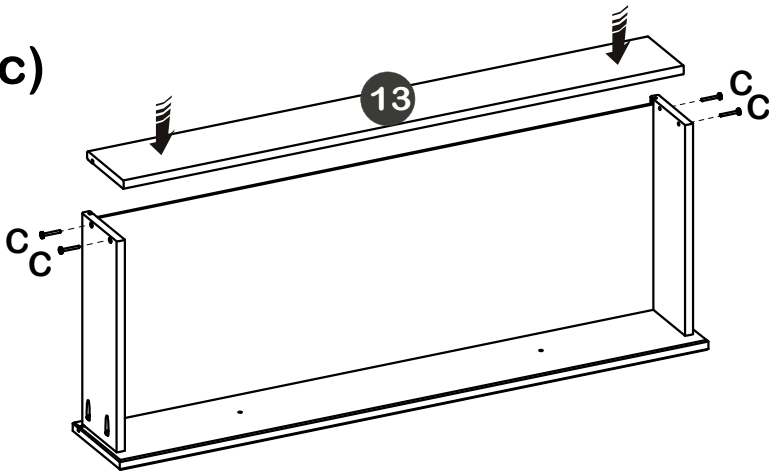
a)



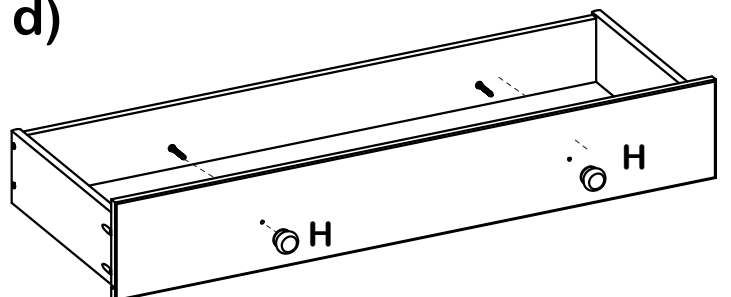
b)

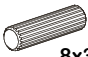





c)

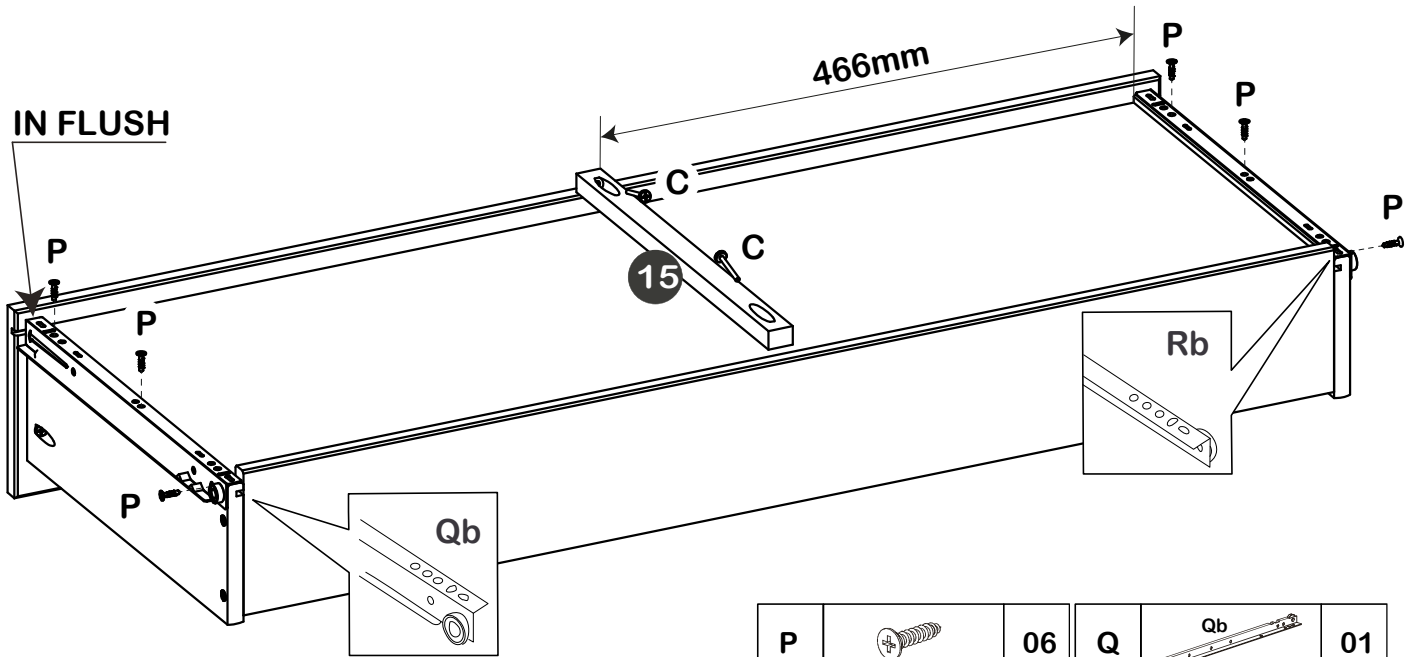
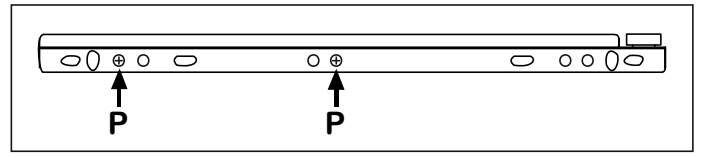
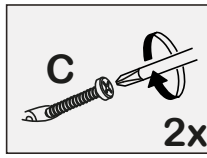


d)



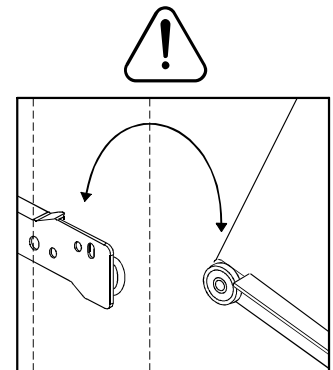
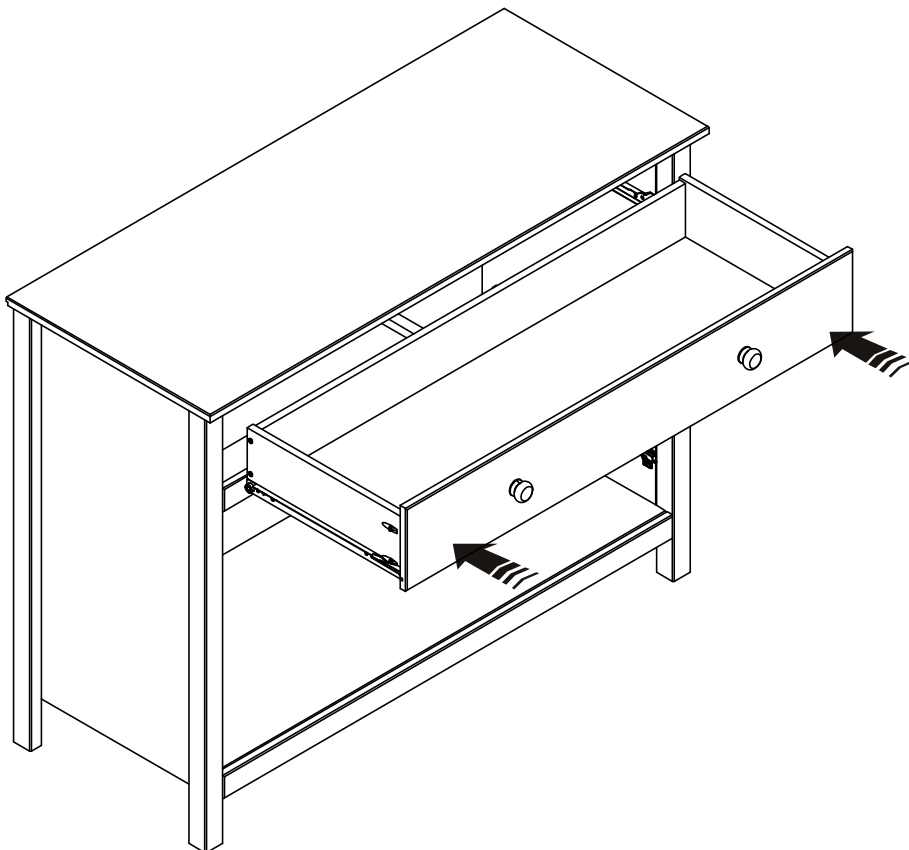
A	 8x30mm	04
B	 4x40mm	02
C	 3,5x30mm	08
H		02

18

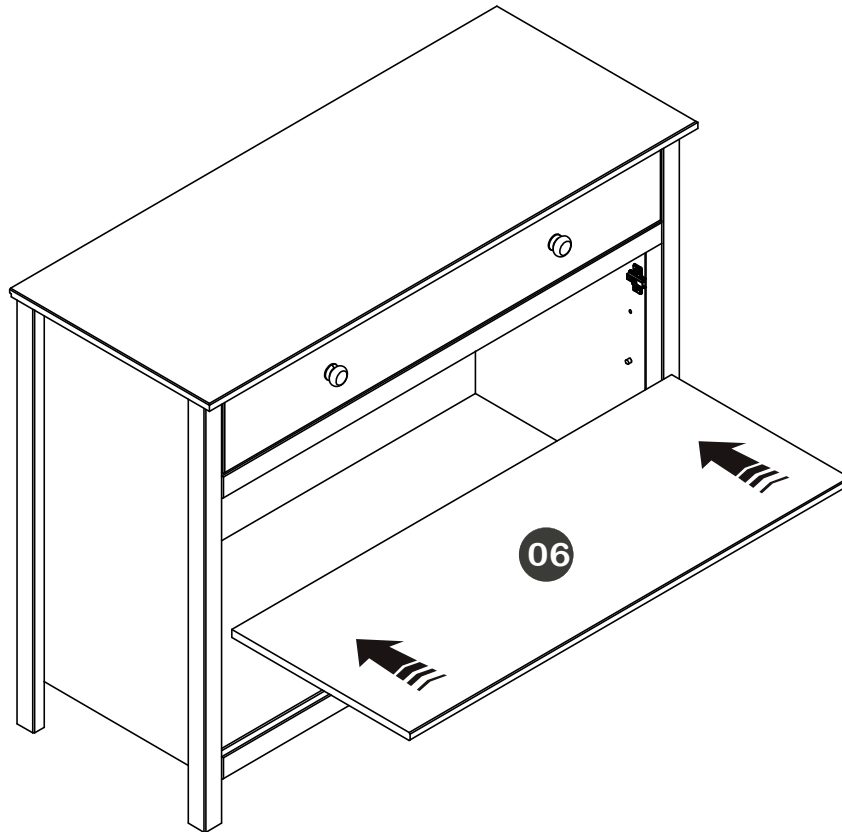


P		06	Q		01
C		02	R		01

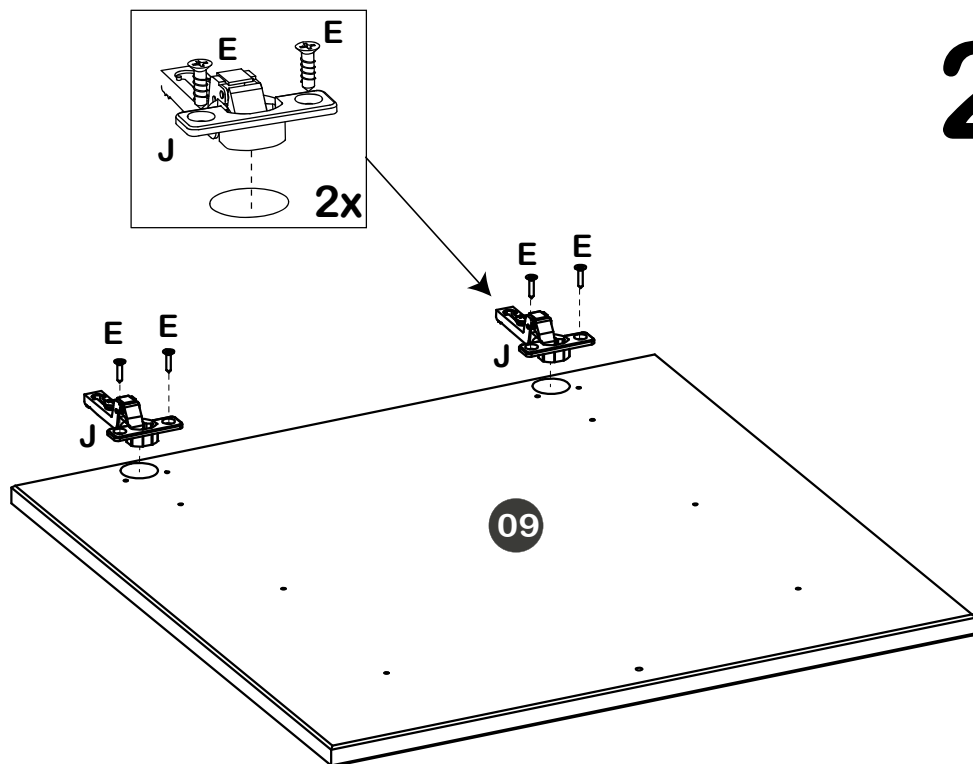
19





20



21

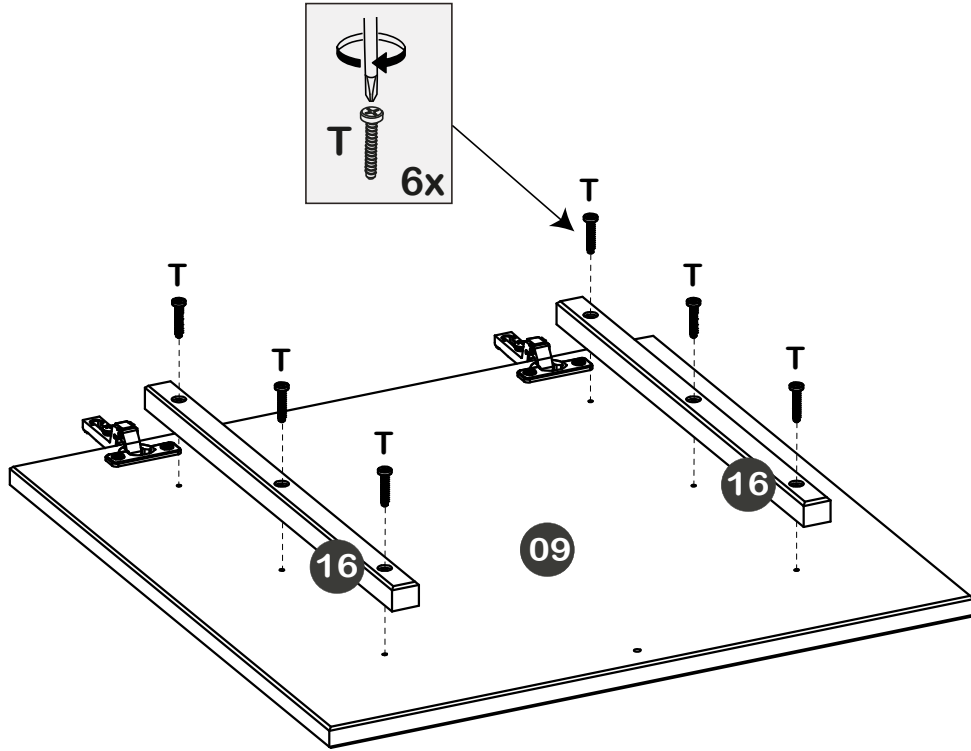



2x

E	 4x16mm	08	J		04
---	---	----	---	---	----

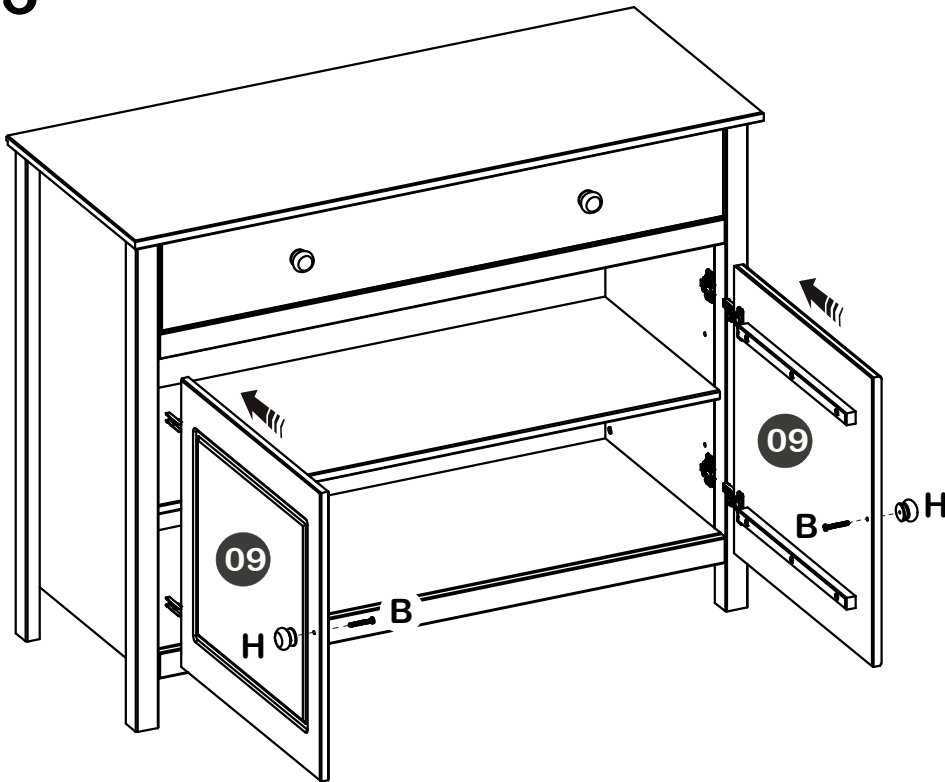
22

2x

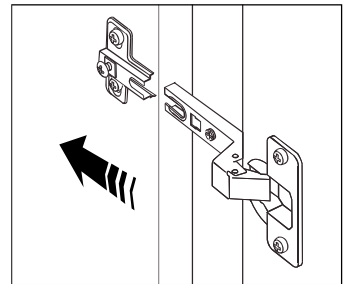


T		12
	4x25mm	

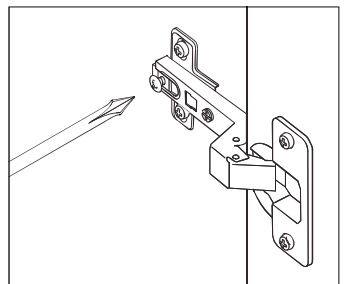
23





a:



b:



B		02	H		02
	4x40mm				

