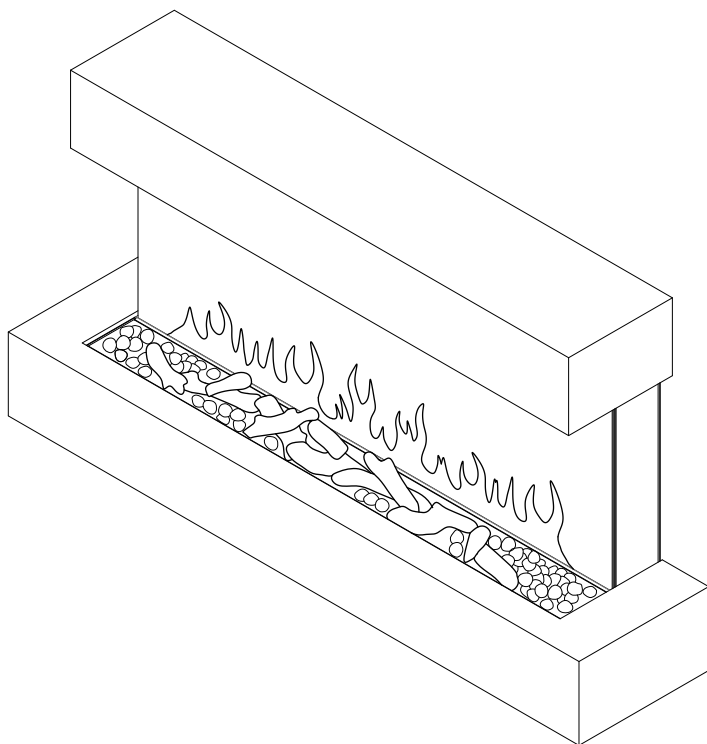


FIREPLACE MANTEL

ASSEMBLY INSTRUCTIONS

MT197C

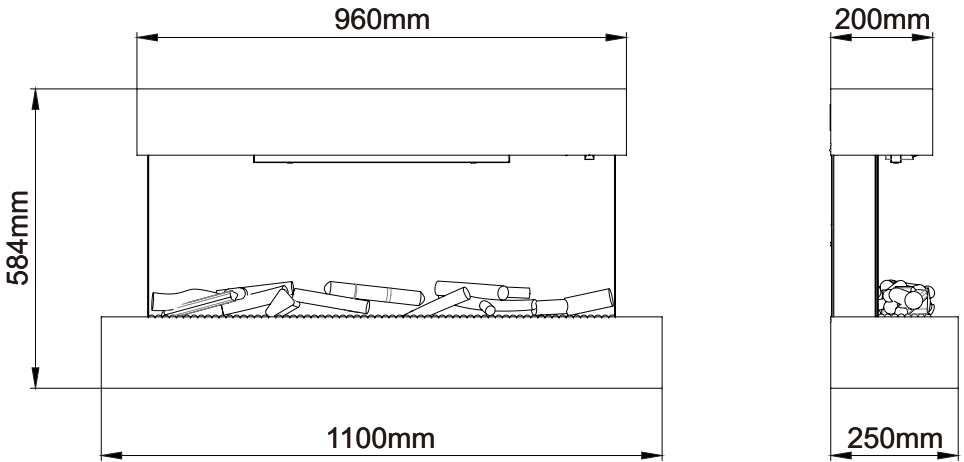


If you have a problem with this product, **DO NOT RETURN.**

Call our customer service ,Tel: 01785 719005, or

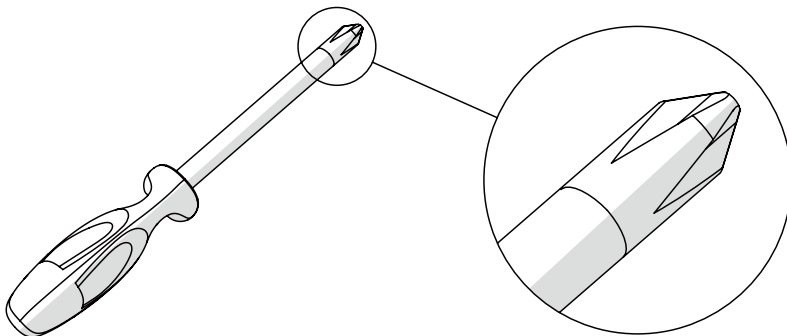
E-mail: customerservice@modelo.co.uk

DIMENSIONS

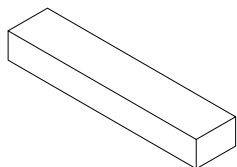


TOOLS REQUIRED

A screwdriver will be needed

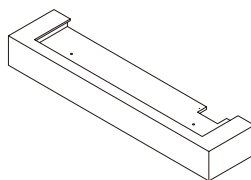


ACCESSORIES



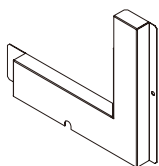
TOP PANEL

x1



BOTTOM PANEL

x1



TERMINAL BOX COVER x1

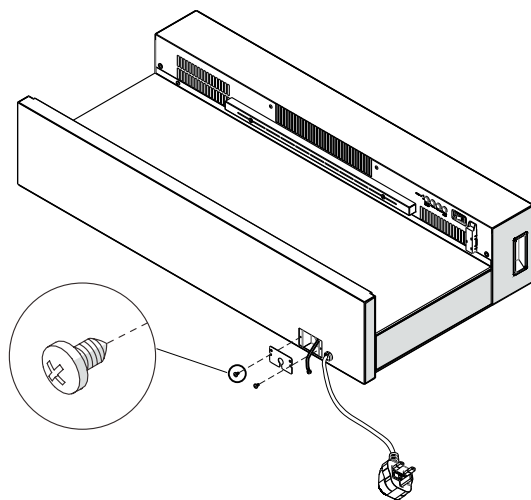


SCREW ST4x12

x2

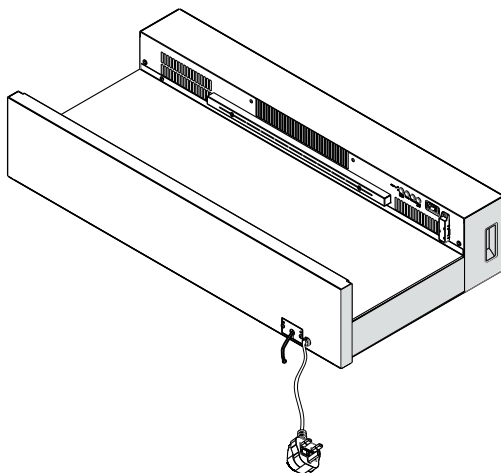
ASSEMBLY INSTRUCTIONS

01



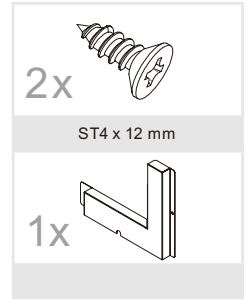
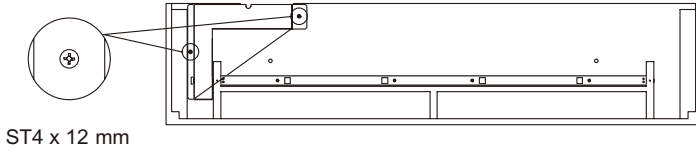
Place the fireplace on a flat surface and remove the two screws as shown. Open the cover on the base plate and remove the plug for mood light.

02

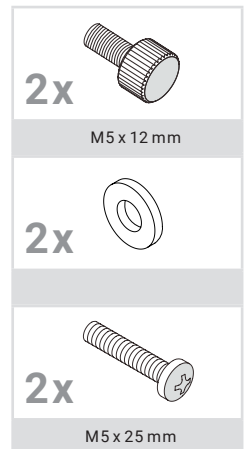
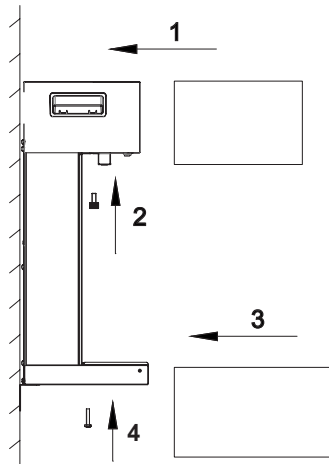


Insert the plug through the hole in the cover and reattach the cover.

03

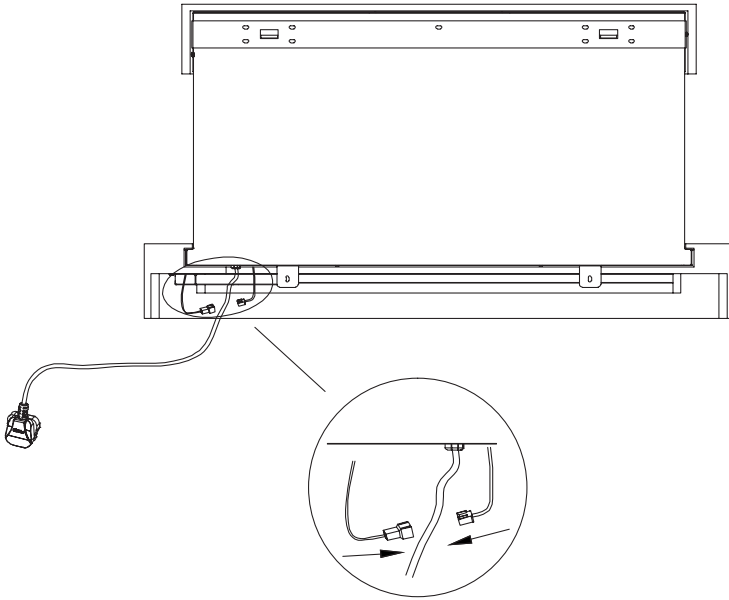


04



Spare parts in this step are packed with the appliance.

05



Connect Mood Light Cable

Distributor: Moddelo Limited
Unit 6A-6E,
Airfield Industrial Estate,
Hixon, Staffordshire,
ST18 0PF

Tel: 01785 719005

Email: customerservice@moddelo.co.uk