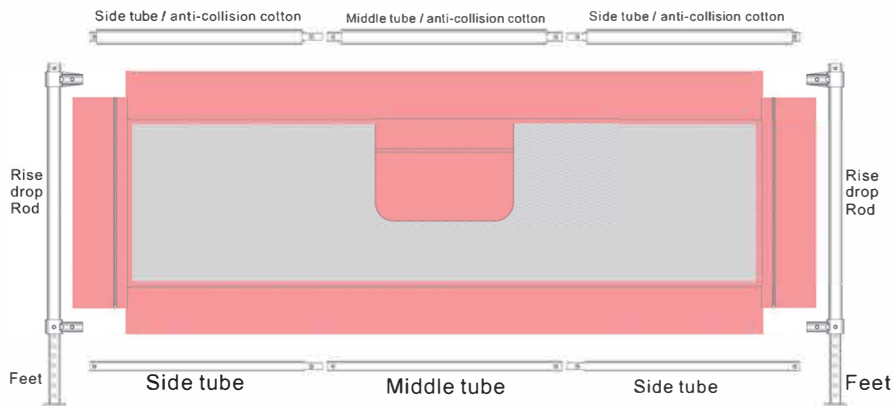
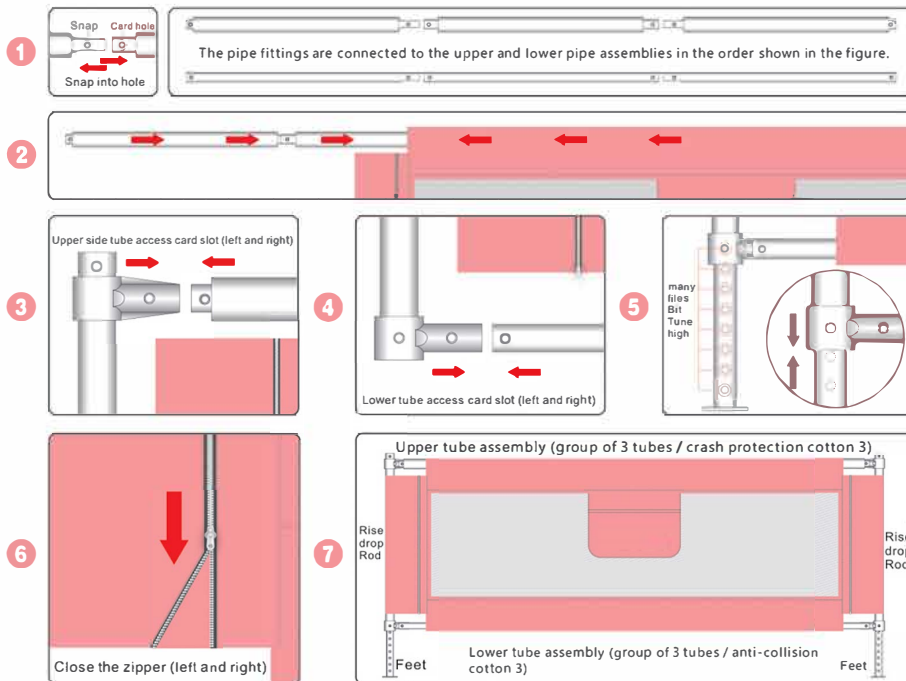


# 1 Details of accessories for bed enclosures



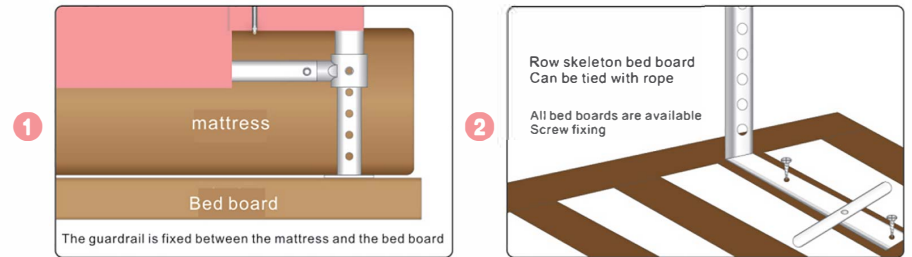
# 2 Installation steps of bed fence



1. Connect the upper and lower two sets of connecting pipes separately
2. The upper and lower two sets of connecting pipes are put into the cloth sleeve separately
3. Install the two ends of the upper connecting tube into the upper and lower lifting tube upper slots respectively.
4. Put the two ends of the lower connecting tube into the lower slot of the left and right lifting tubes respectively
5. Put the left and right feet into the left and right lifting tubes, adjust the lifting tubes. The lower screw can be adjusted to different heights
6. Pull the zipper of the guardrail cloth cover from top to bottom.

When installing the bed fence, all the pipe warheads are combined. Must be completely ejected, it may happen if improper operation. Danger. This product needs to be assembled by an adult, please use this. Before the product, carefully read this product manual and properly. Keep it for future reference, if you do not follow this instruction. The book may affect the safety of infants and children.

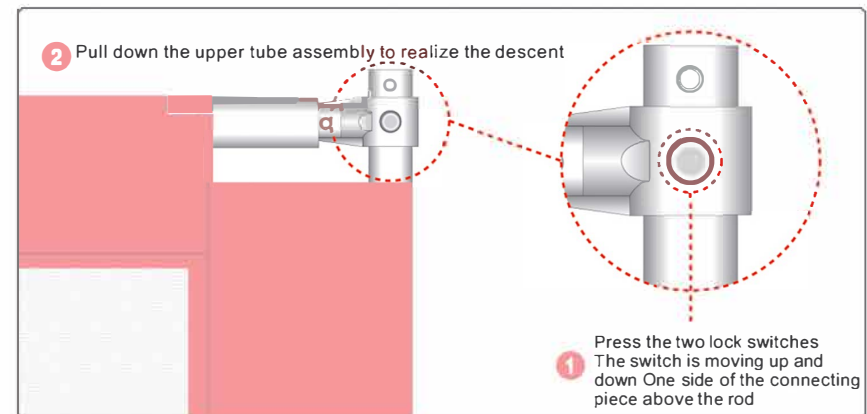
# 3 How to install to bed



- 1: Place the assembled bed fence into the bed.
  - 2: Tighten the screws with the bed board and the feet.
  - 3: Rotate the mattress on the bed guardrail pads.
- The bed fence can be used for thick and thin mattresses, heavy mattresses. You can directly press the left and right support feet to obtain a balanced force. So it is very convenient to use. (The bedside table does not affect the use)

- 1: Place the assembled guardrail into the bed.
- 2: Tighten the screws with the bed board and the feet, (such as feet. The seat and the row of skeletons cannot be installed together and can be used Bundled with rope etc.)
- 3: Place the mattress on the foot of the bed rail.

# 4 Lifting method



Lifting function: The bed fence provides a rise and fall function, that is, the bed surrounding cloth cover can move up and down with the upper connecting tube and the movable joint. It moves and expands or folds and collapses, which is more suitable for different needs of the bed fence function at different time periods.

Lifting method: press the left and right lock switches (the switch is on the side of the connecting piece above the left and right lifting rods), and pull down. The upper tube assembly allows the movable joint to slide up and down, and at the same time the fence cloth cover folds or folds up to achieve the collapsing function. Adults and infants get out of bed and travel.

# 5 Explanation supplement



This description only provides assembly reference, because the product is more New, the introduction picture will be different from the positive Normal phenomenon, please refer to the actual product!

## 6 Safety reminder

- In order to prevent accidents, please strictly follow the instructions to locate, install and use
- Improper use or external knife impact may cause damage
- Do not hit the product with sharp or hard objects
- Do not use force to pull up after installation
- After the installation is complete, please check the market to ensure that the installation is correct and the function is normal
- Do not leave your child in an unattended environment
- This product is suitable for infants and young children, but does not have the effect of isolating all hazards or accident

## 7 Analysis of common problems

### 1. Length

description Taking into account the thickness of the bed extension and the thickness of the guardrail itself, the actual length of the guardrail is slightly shorter than the mark, such as a 2 meter guardrailThe inter-length is about 196cm

### 2. Pipe scratches

During the shipment and delivery inspection, the paint tube will be taken for testing, plus the transportation bump may leave part Scratches. In actual use, the pipe fittings are hidden in the cloth cover and do not affect the appearance

### 3. The cloth cover looks smaller than the bracket

In order to use better, the cloth cover will appear smaller if it is not installed, please rest assured to install

### 4. The mattress of the walk-in bed is very tight, and the guardrail cannot be inserted.

In very rare cases, there will be a part of the embedded bed with a gap of less than 1cm, which requires you to use The elasticity of the mattress, just squeeze the guardrail hard

### 5. The guardrail is too long to fit in

The intrinsic length of the bed is not standard, it is not exactly 1 meter 8 or 2 meters, which causes it to not fit

### 6. The guardrail is installed and tilted

The guardrail is slightly inclined, mainly to better fit the mattress. Reduce shaking!  
(EmbeddedPlease put the guardrail support feet on the bed, do not rest on the edge of the bed)

### 7. Why is mine shaking more than others

The reason is that it is not fixed on the bed bed with screws, please apply screws to lock very few parts on the bed board Customers will respond, the root cause of this problem is because the mattress is not thick enough, please replace the thick mattress There are also some reasons that the mattress is not compressed enough, please increase the pressure, such as on the other side of the mattressCram some items.

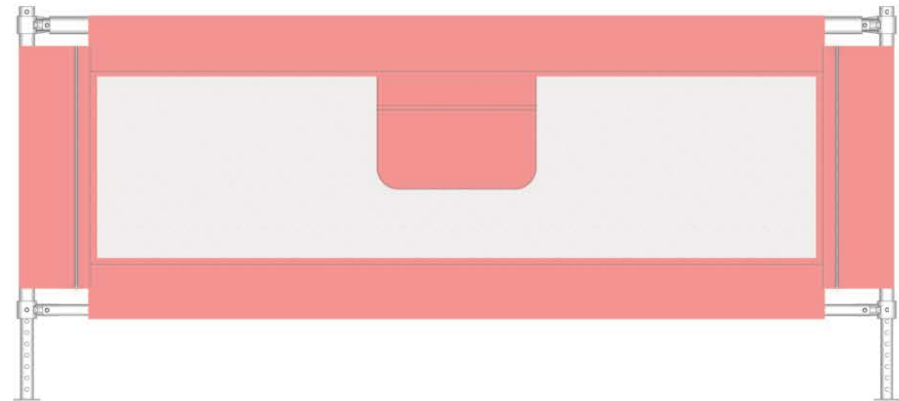
## 8 Maintenance

If the seat cover becomes dirty during use, just wipe with a damp cloth or clean water  
Just wash the strip

Warning; all bed guards on the market are fixed screws on the bed board

Then rely on squeeze to stabilize, please be sure to give priority to the safety of the baby  
Do not install bed guardrails for this reason!

# Installation instruction



**Safe to stay in bed**



When using this product, the caregiver must not leaveDon't let your baby climb and play on the fenceTo avoid danger