
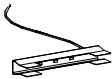
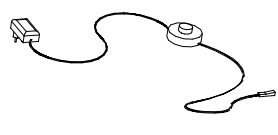




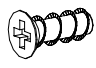

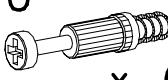

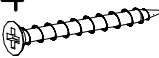
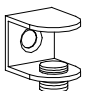

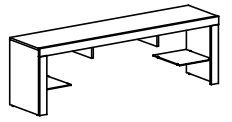
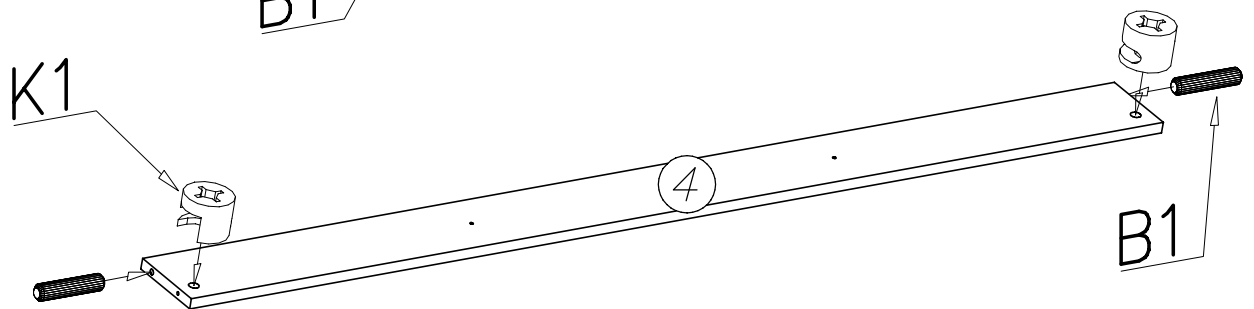
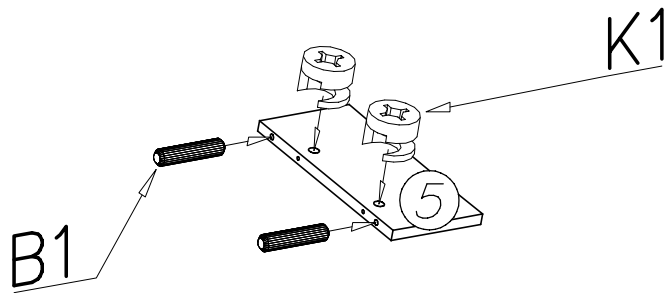
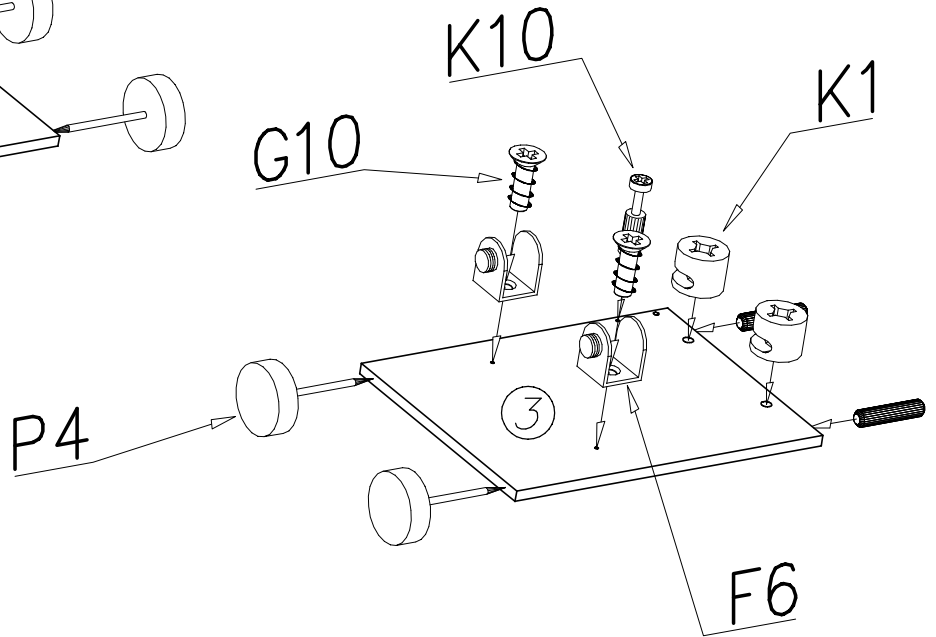
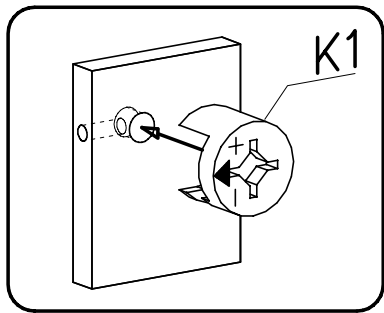
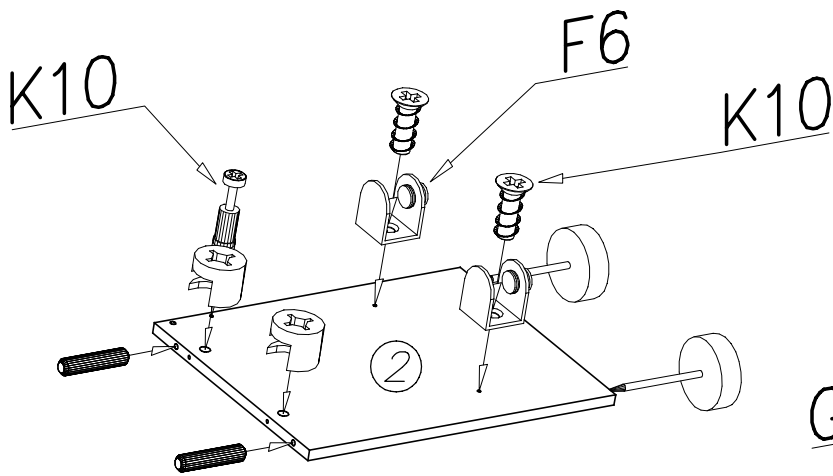
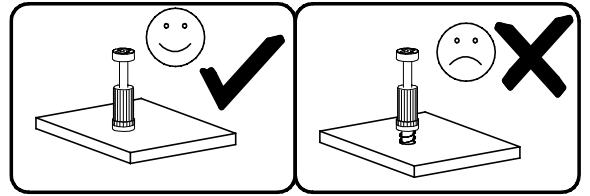
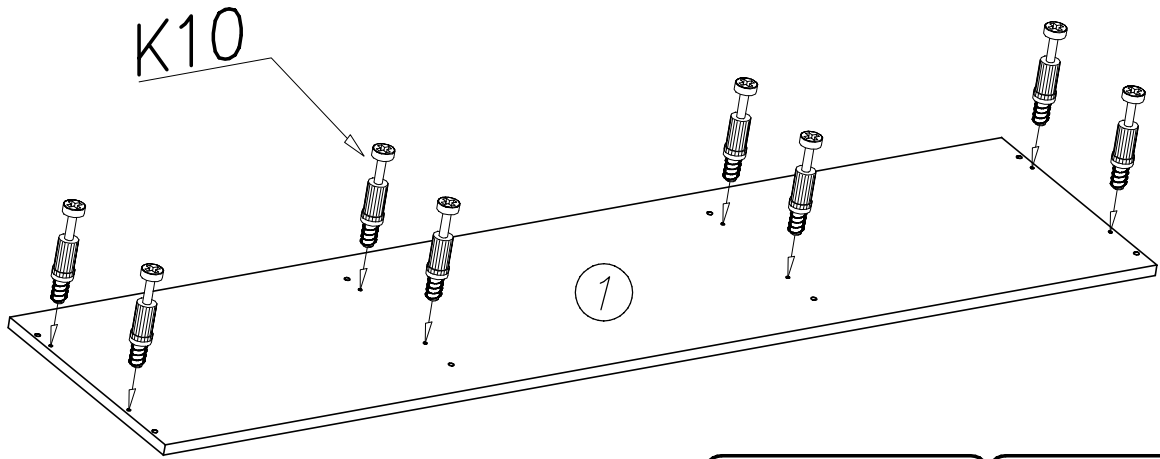
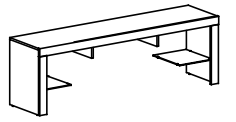


<b>P4</b>  x...(4)	<b>W5</b> LED  x...(2)	<b>W13</b>  x...(1)	<b>P33</b>  x...(6)	<b>G56</b>  4x16 x...(40)
<b>K1</b>  ø15x12 x...(10)	<b>I7</b>  x...(10)		<b>G10</b>  6x13 x...(8)	<b>F12</b>  x...(10)
<b>K10</b>  x...(10)	<b>B1</b>  ø8x35 x...(10)	<b>G14</b>  3,5x45 x...(2)	<b>F6</b>  x...(8)	<b>G34</b>  3,5x16 x...(12)

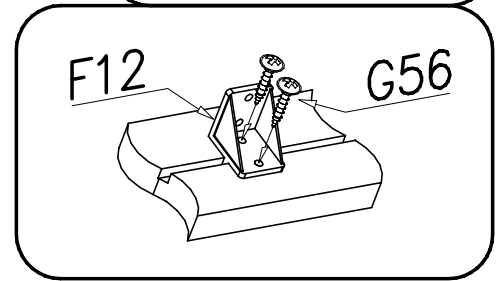
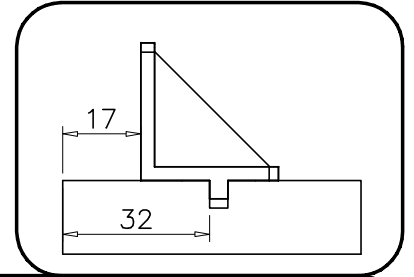
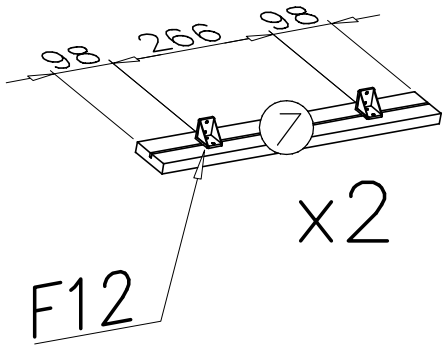
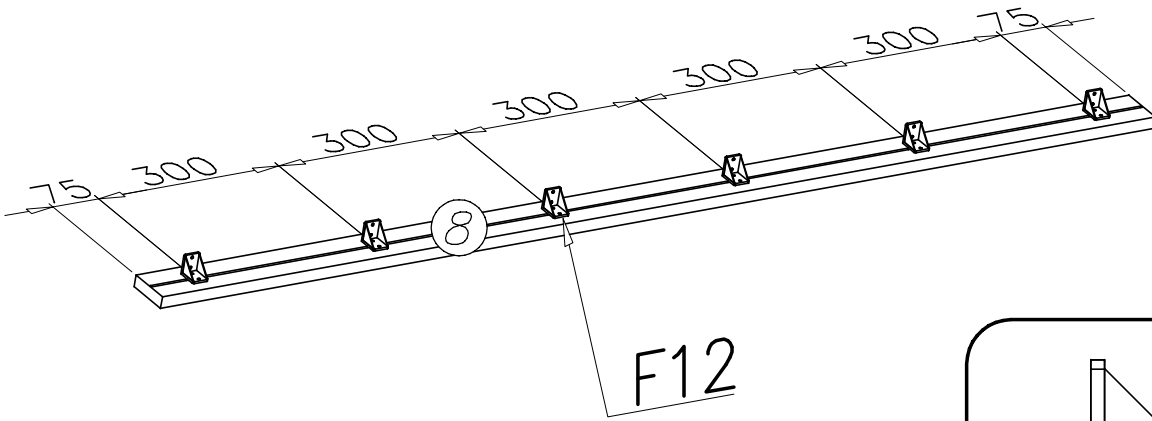


I

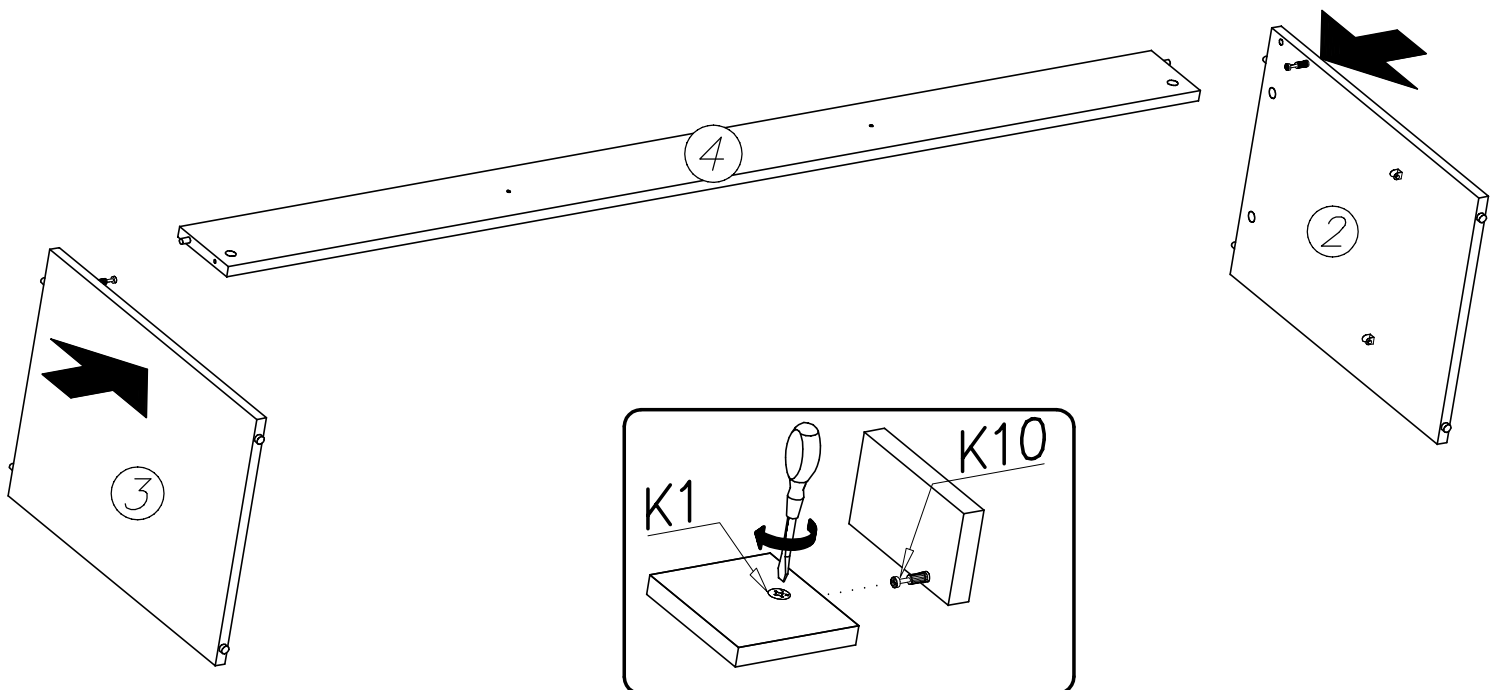


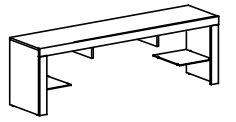


II

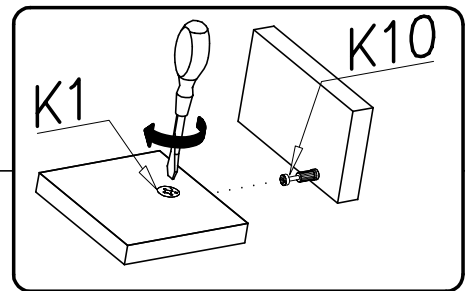
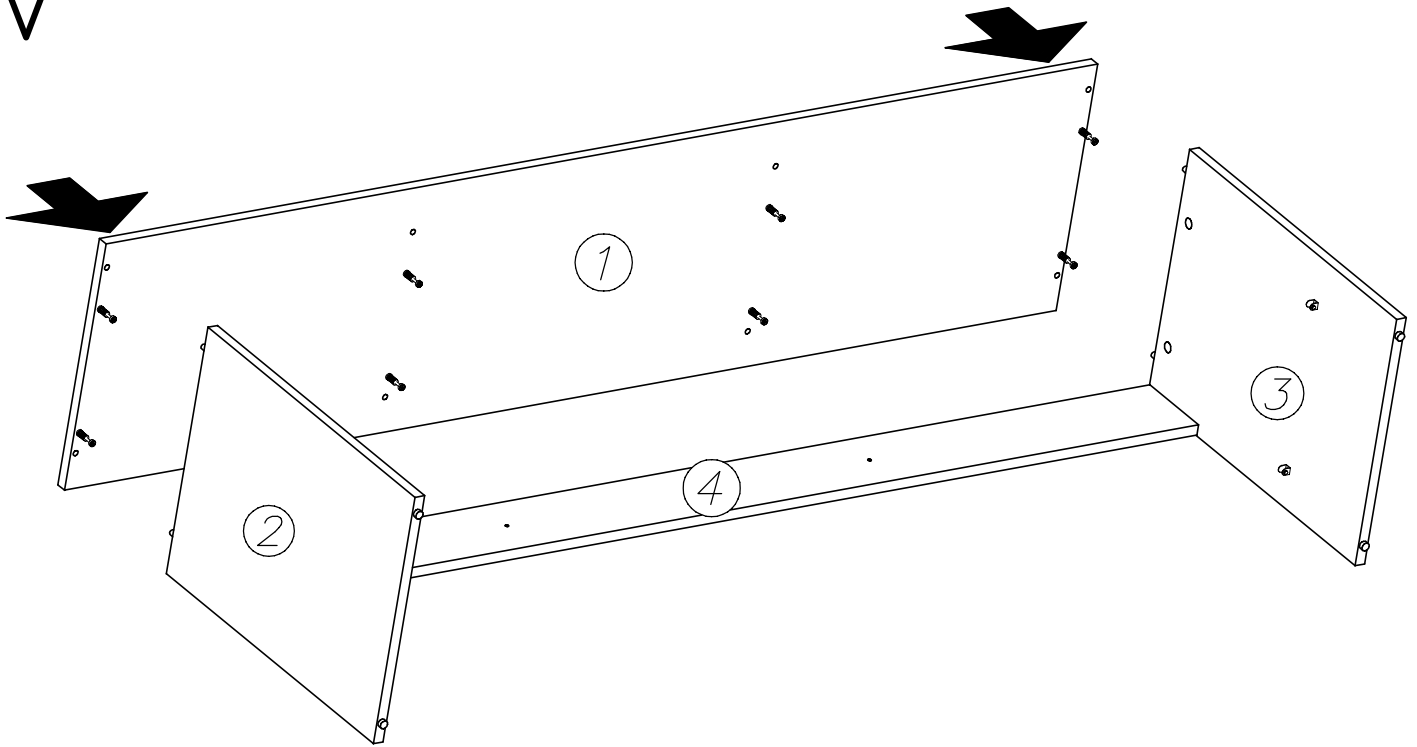


III

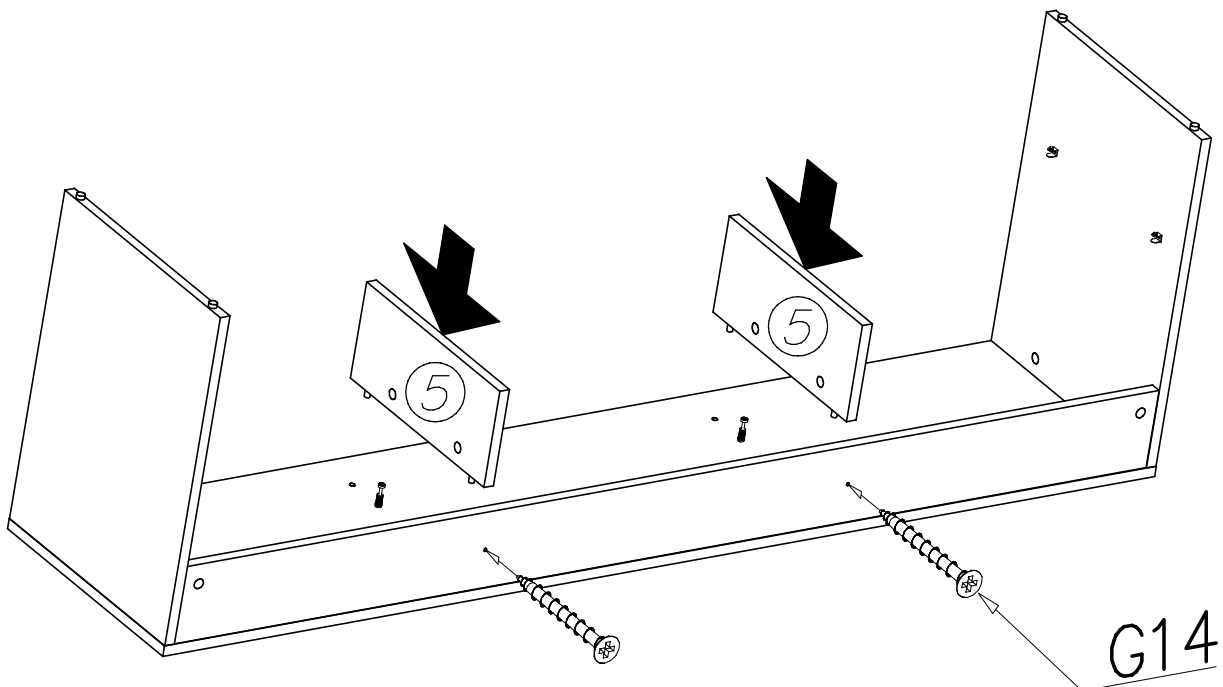


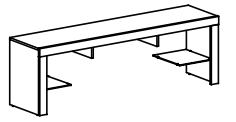


# IV

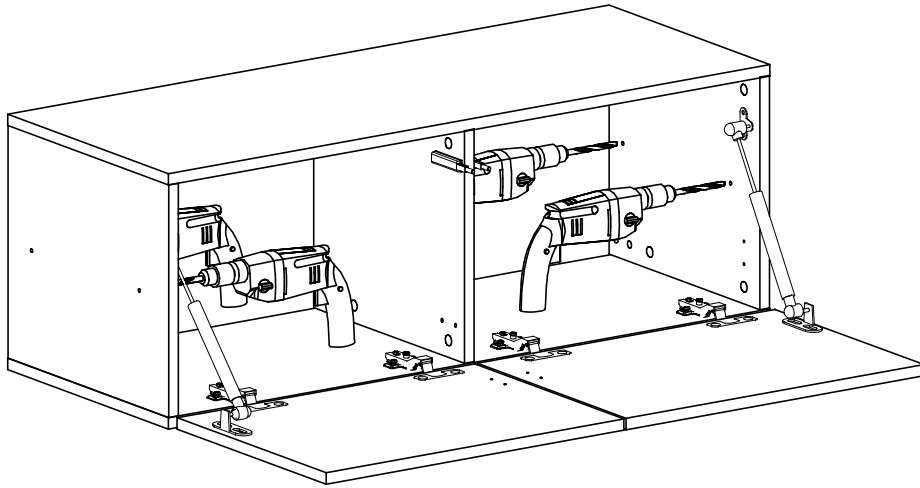
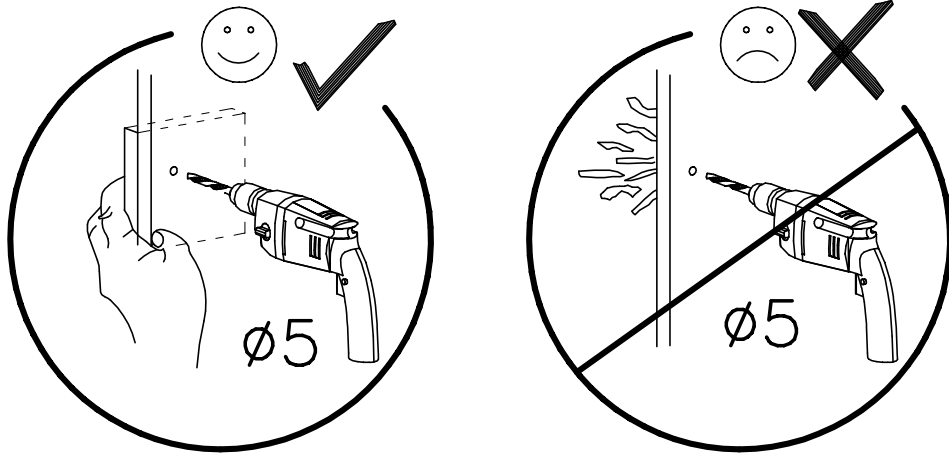


# V

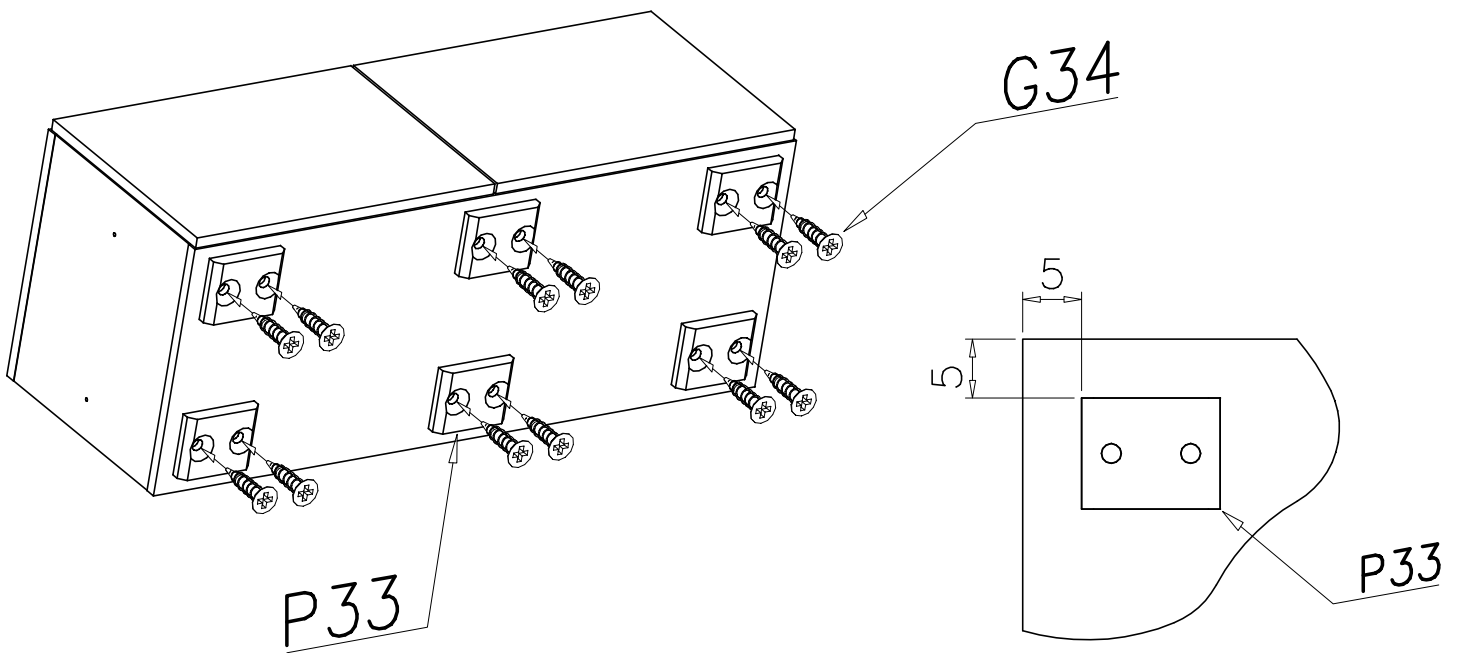


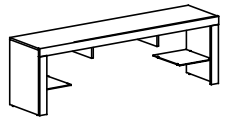


# VI

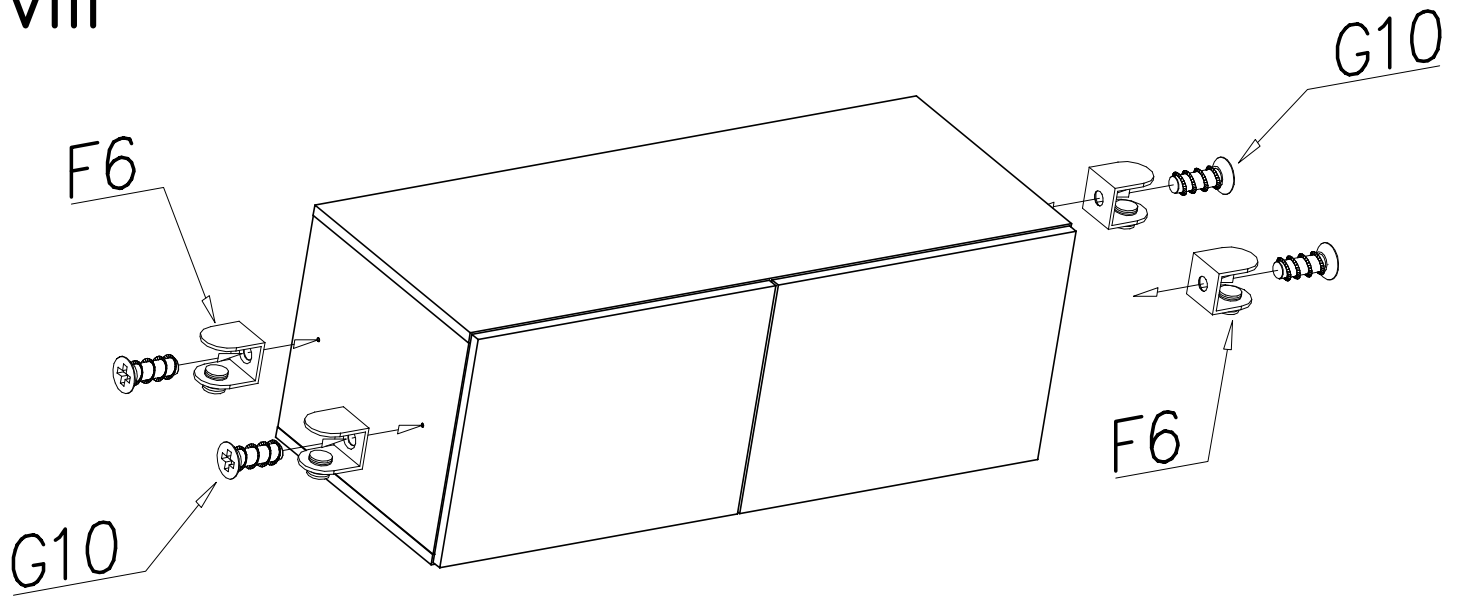


# VII

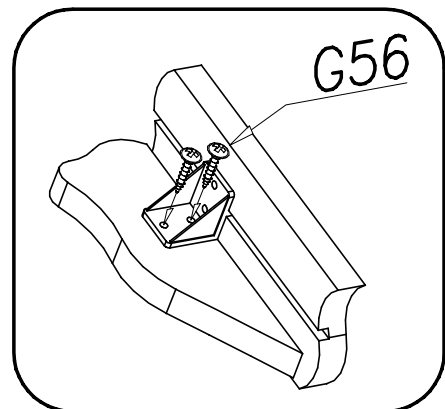
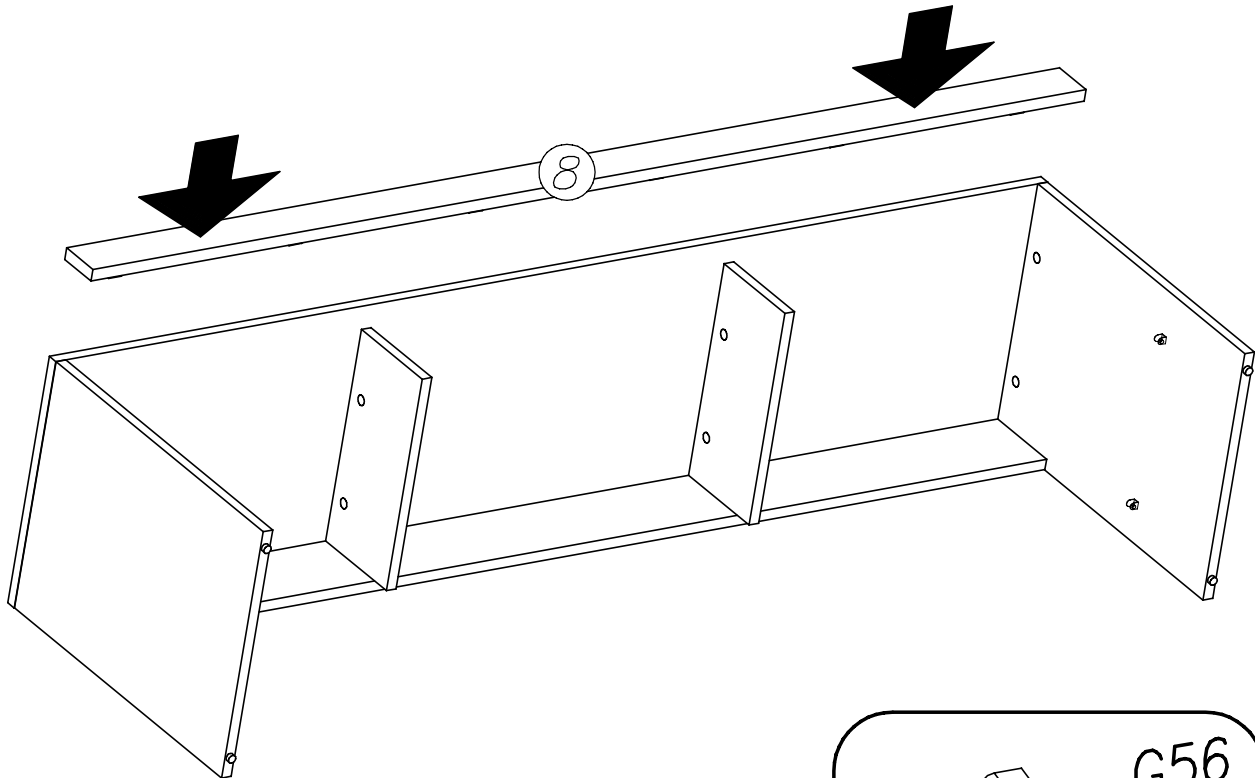


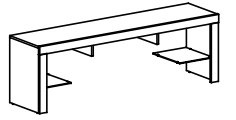


# VIII

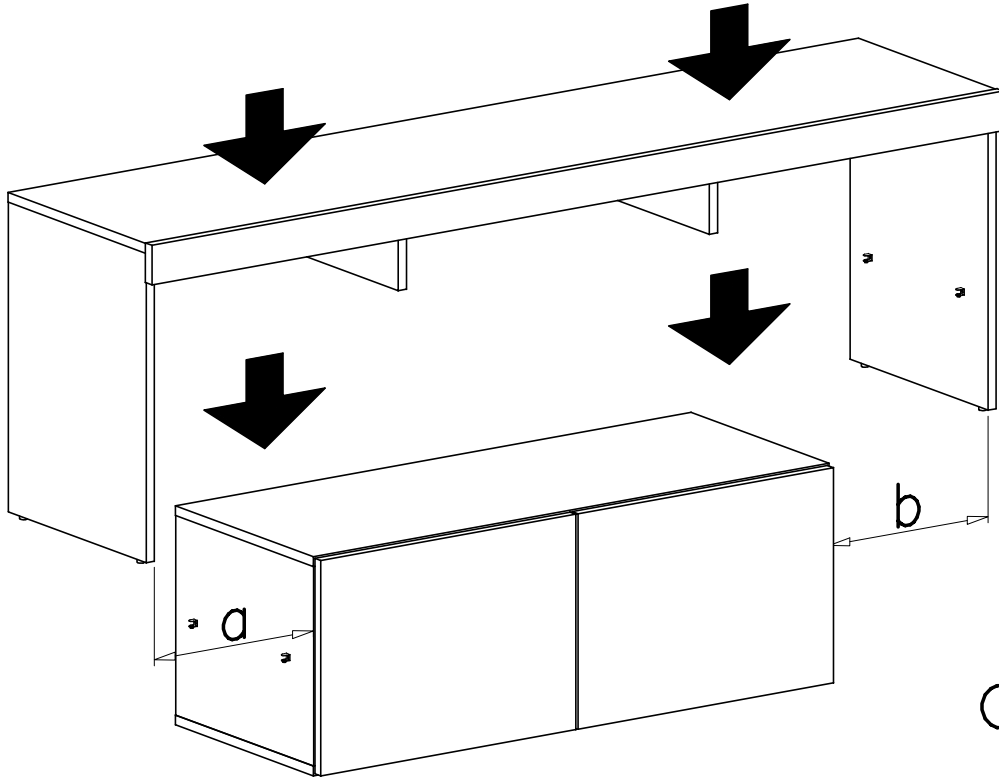


# IX



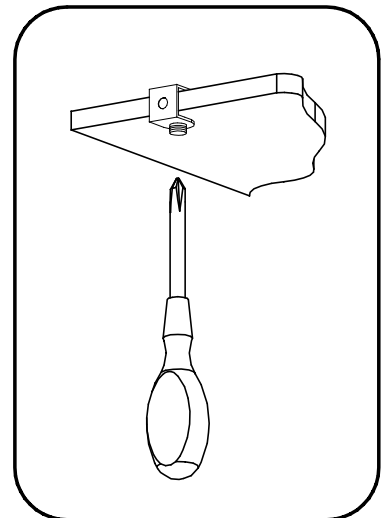
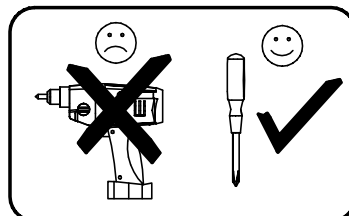
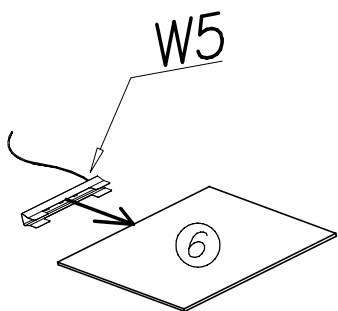
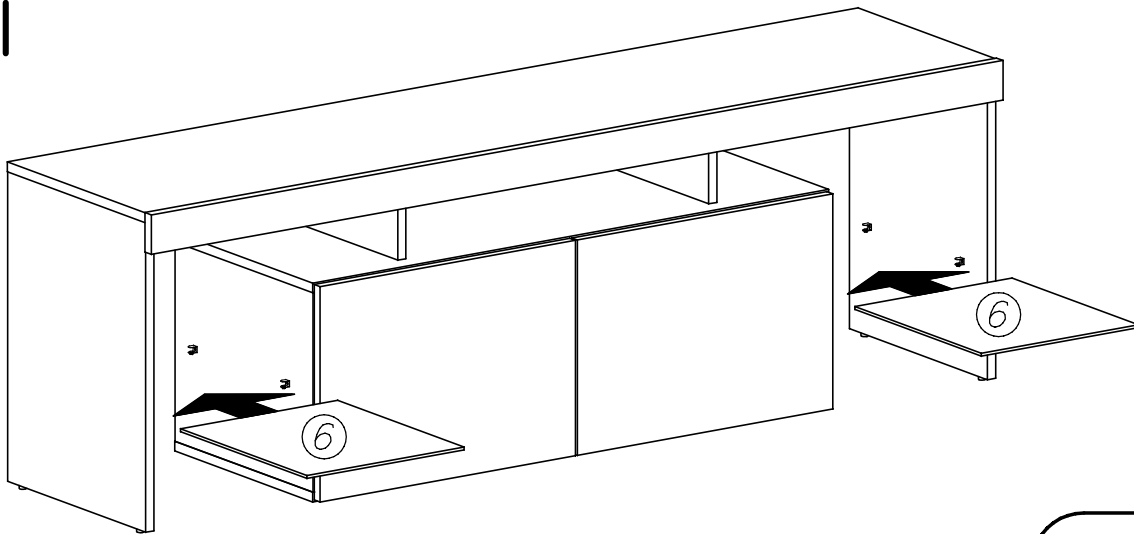


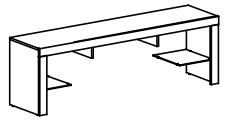
X



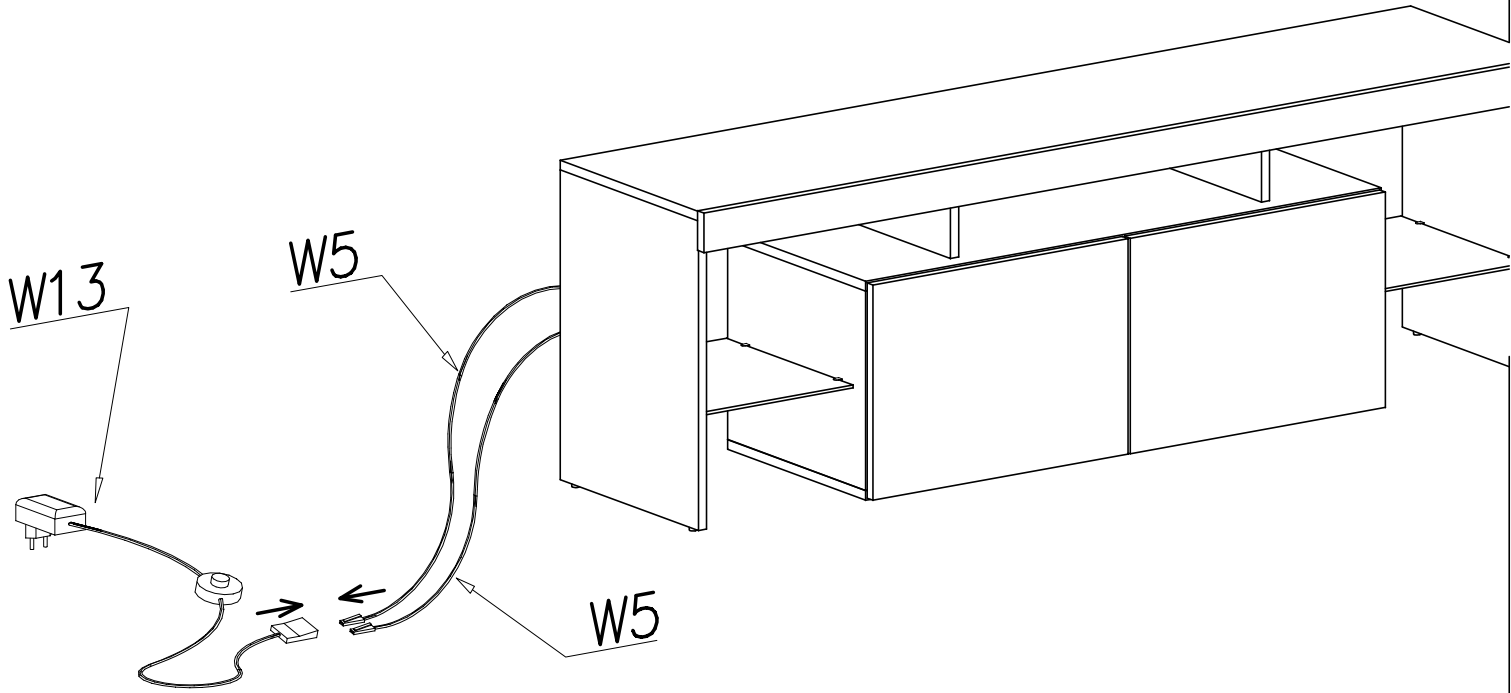
$a=b$

XI





# XII



# XIII

