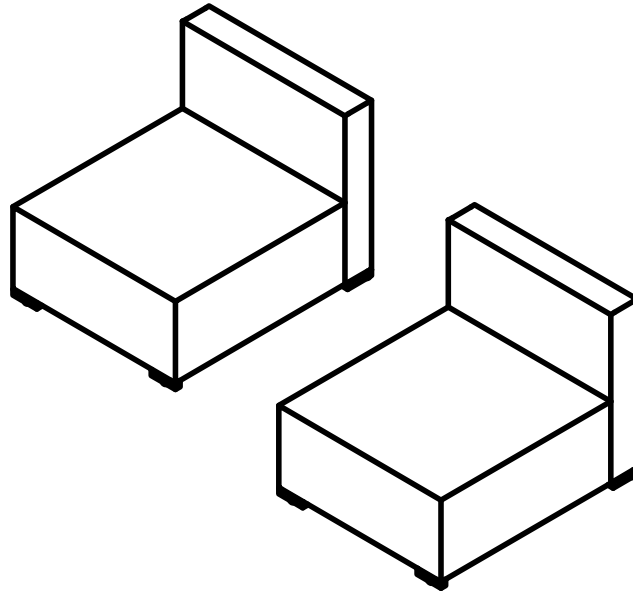
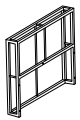
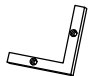
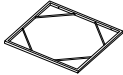

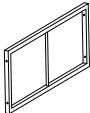

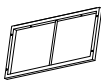

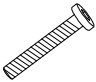


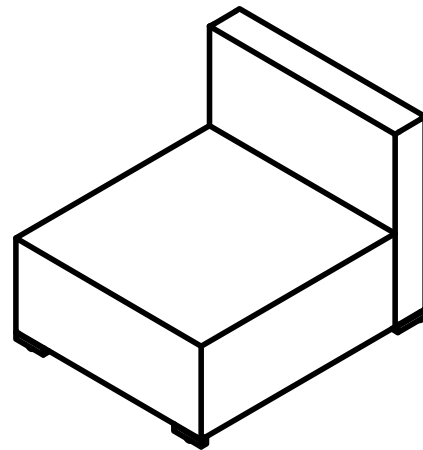


# ASSEMBLY INSTRUCTIONS

## 2PCS ARMLESS SOFA



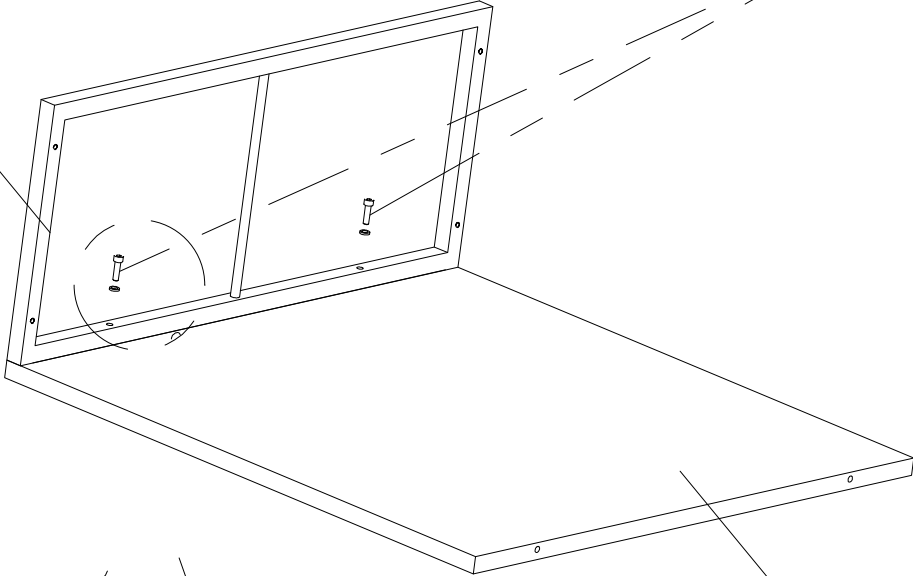
Item no.	Reference Image	Description	Qty	Item no.	Reference Image	Description	Qty
F		Seat Back	1	S		L-Shaped Foot Pad	2
G		Seat Base	1	T		I-Shaped Foot Pad	2
H		Side Panel	2	S002		M6x25 Hex Socket Head Screw	8
J		Front Panel	1				
S003		M6x35 Hex Socket Head Screw	10				
S004		M6x40 Hex Socket Head Screw	2				
W002		Flat Washer	12				
T001		S4 Allen Key	1				



**STEP 1**

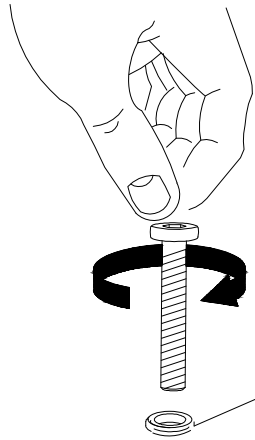
**S003**

**J**

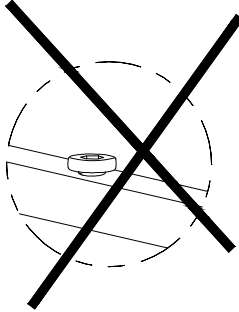
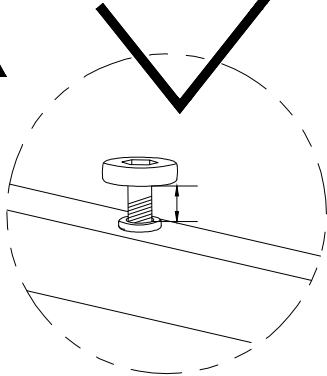


**G**

**2x**

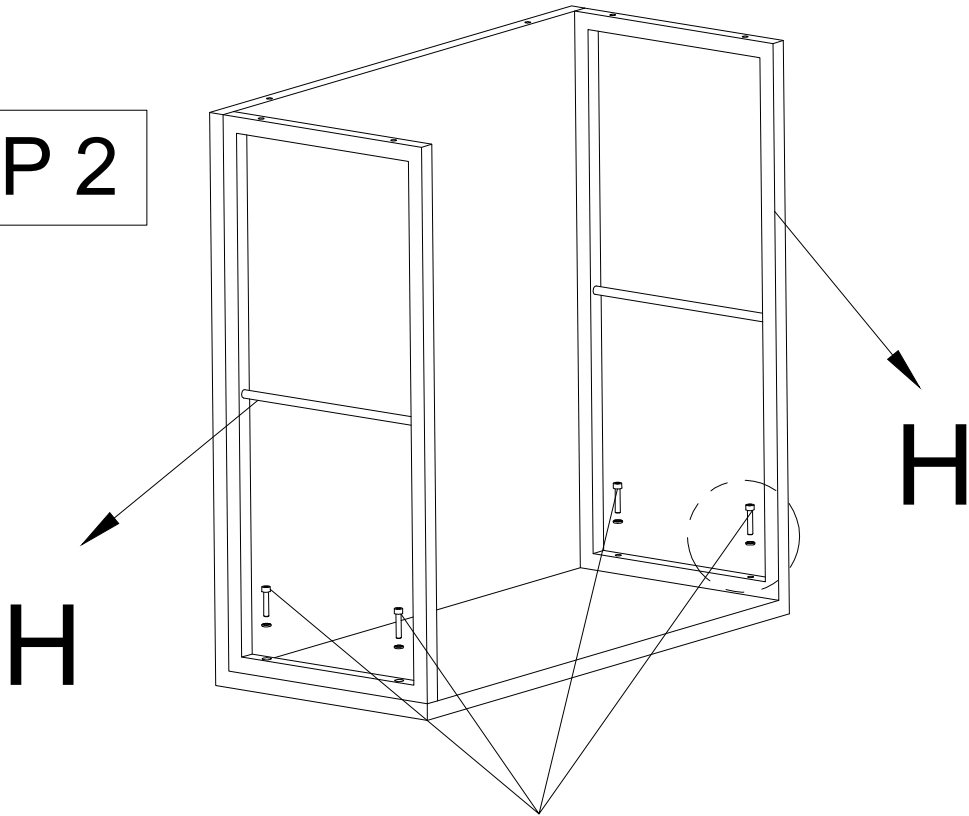


**W002**

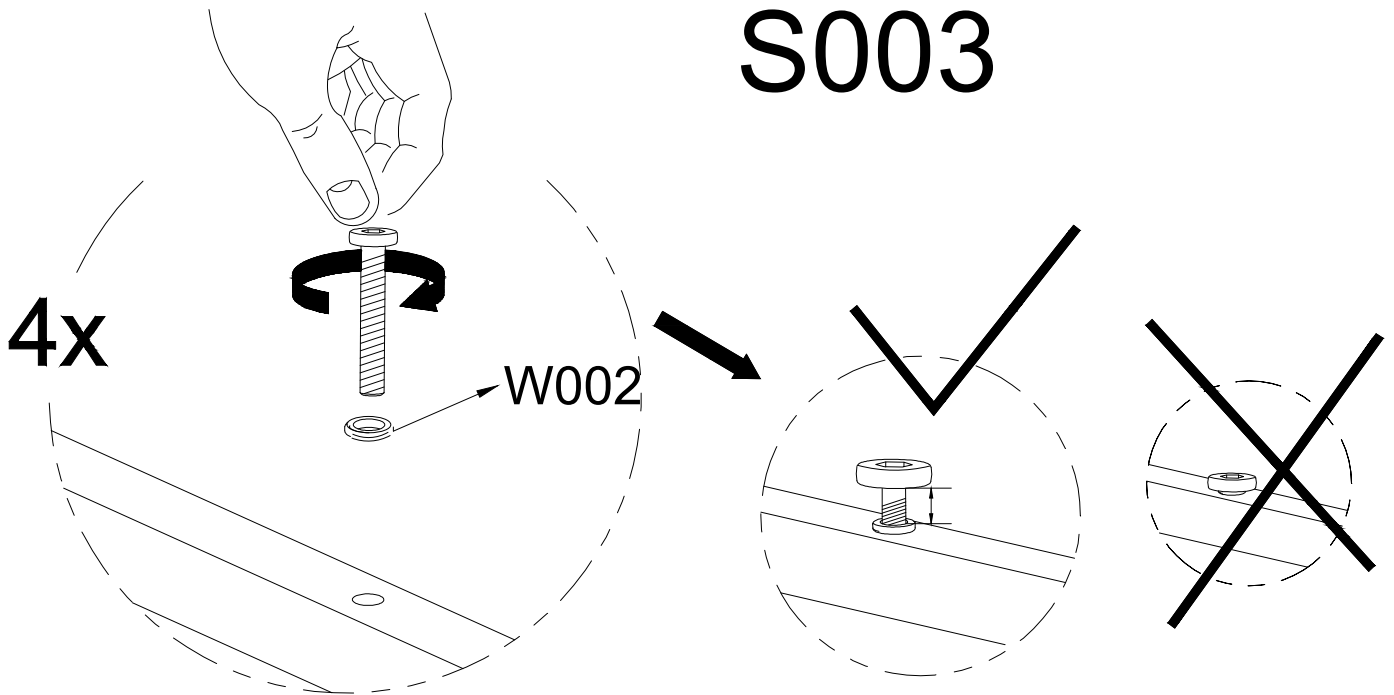


**Do Not Tighten The Screws Completely!**

**STEP 2**



**S003**

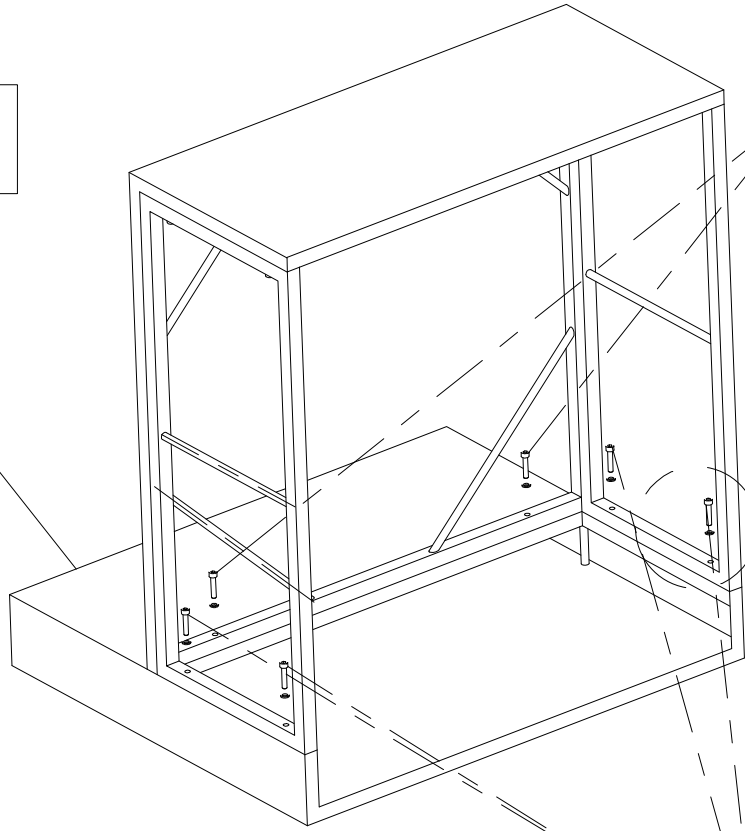


**Do Not Tighten The Screws Completely!**

**STEP 3**

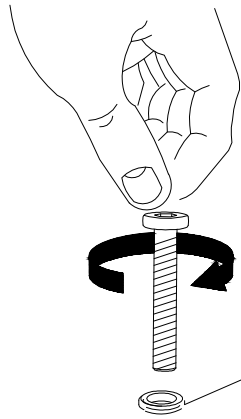
**S004**

**F**

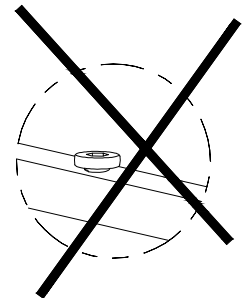
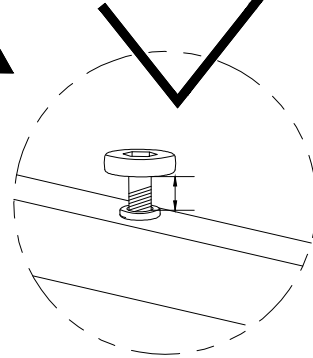


**S003**

**6x**

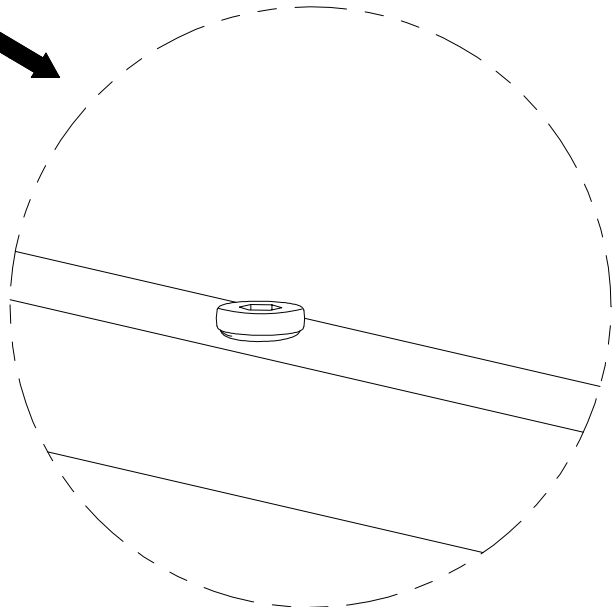
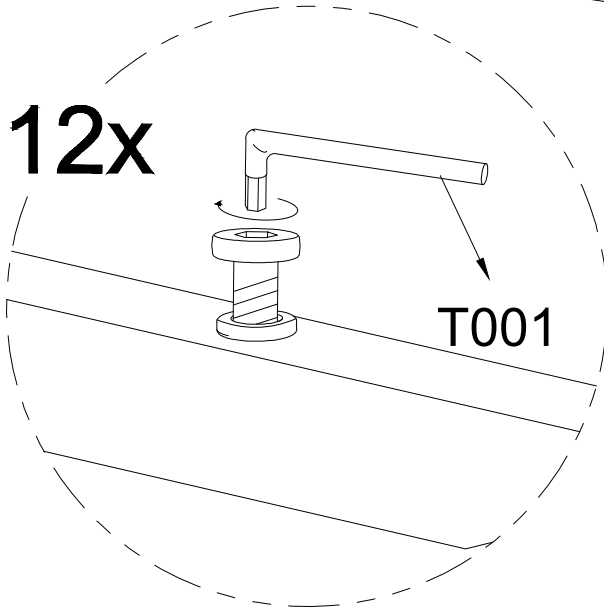
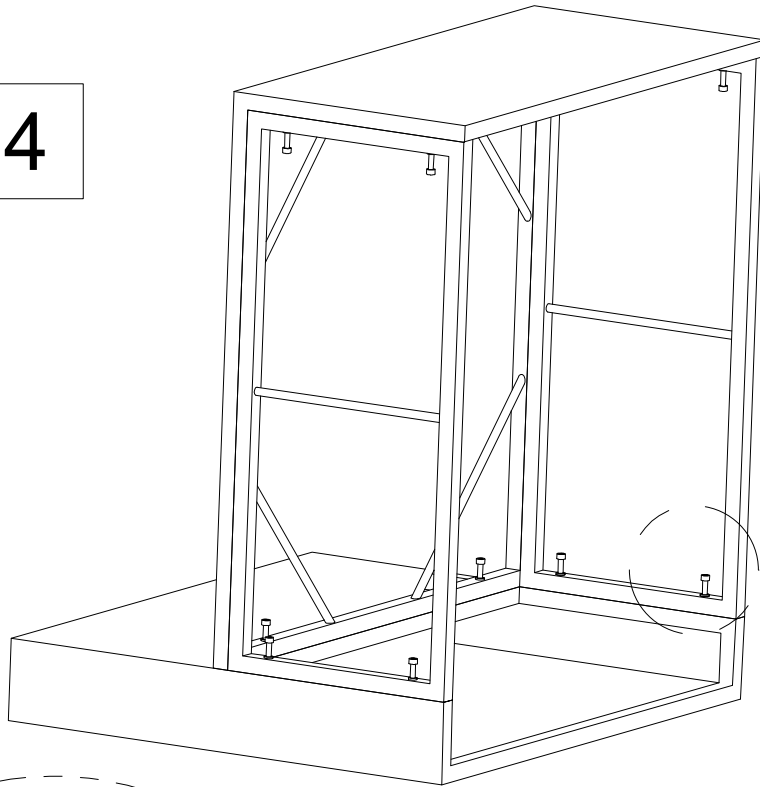


**W002**



**Do Not Tighten The Screws Completely!**

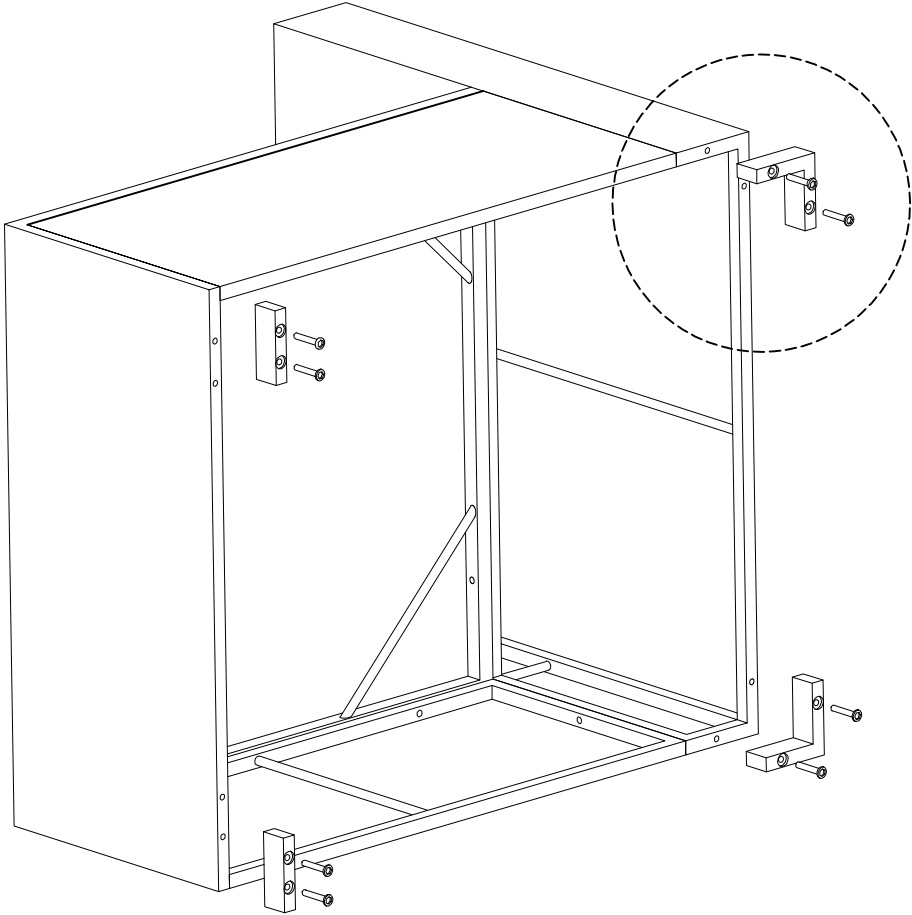
**STEP 4**



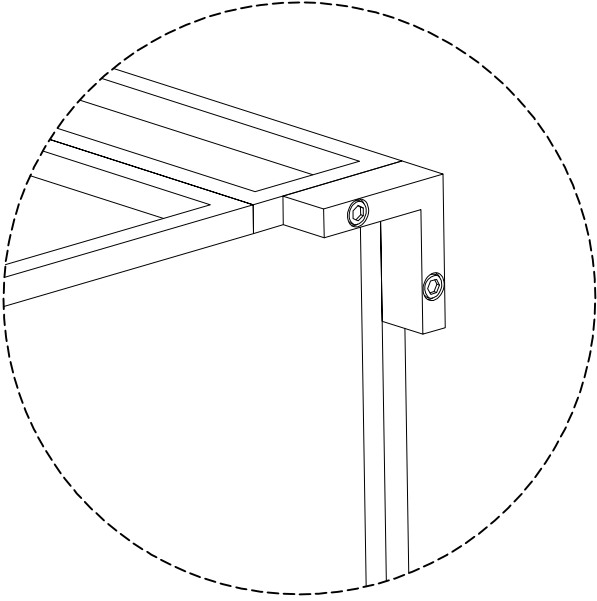
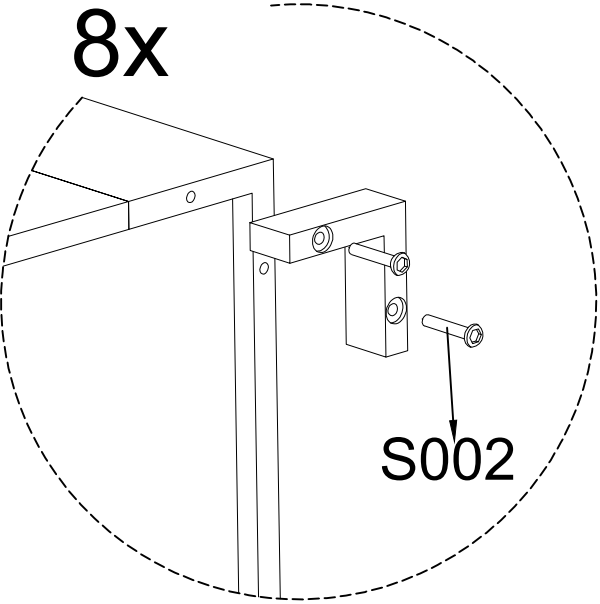
**Tighten The Screws Completely Now!**

**STEP 5**

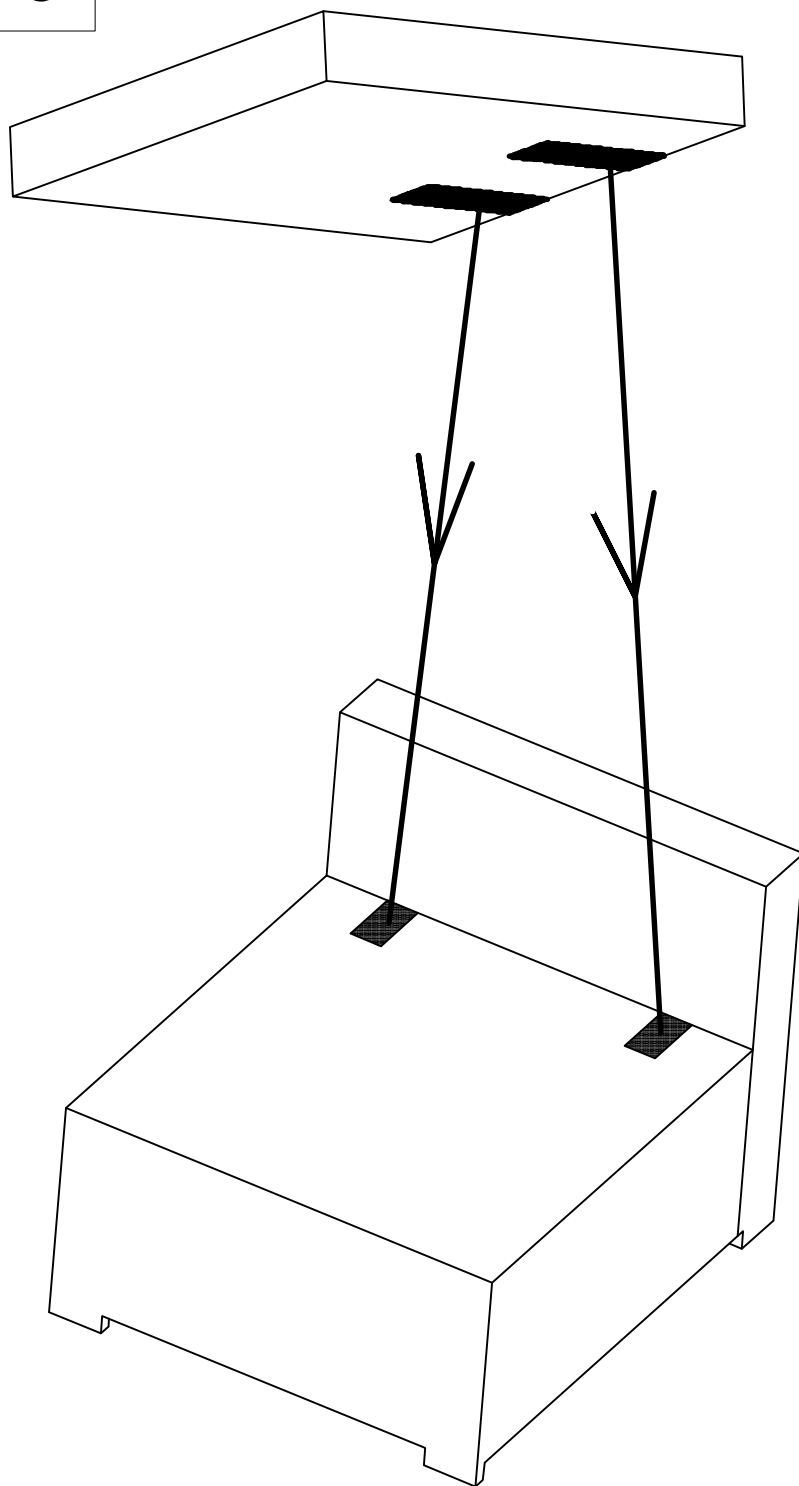
**Assemble 2 Foot L Shape  
& 2 I-Shaped Foot Pad**

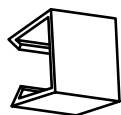


**8x**

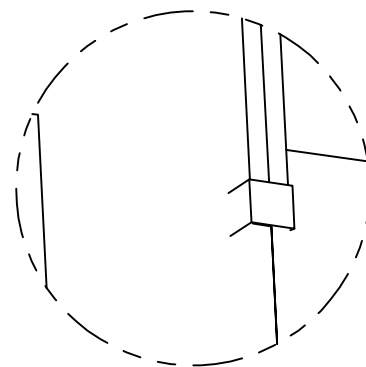
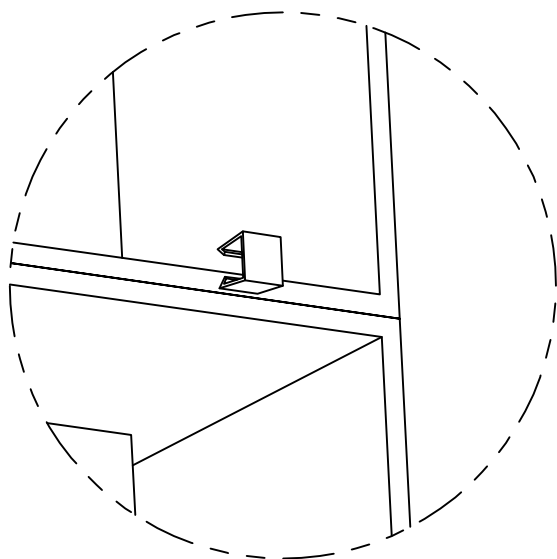
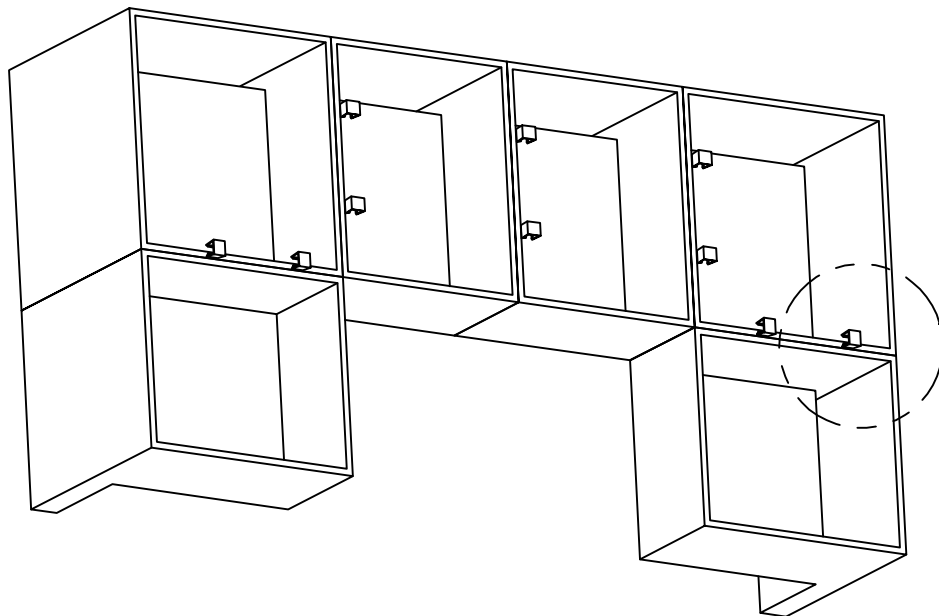


# STEP 6





You might need plastic clips to connect each sofa after all assembling.



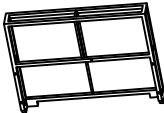





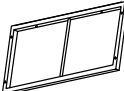
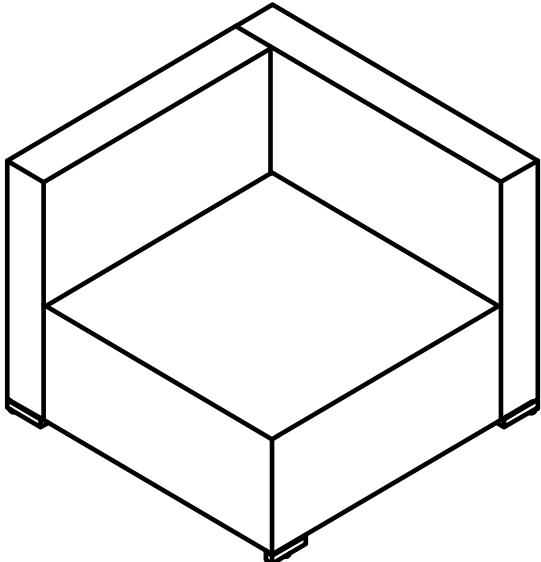
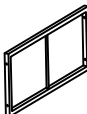






**WARNING:** Keep all small parts out of the reach of children.

**National Outdoor Living** Cranford, New Jersey 07016 • [nationaloutdoorliving.com](http://nationaloutdoorliving.com)

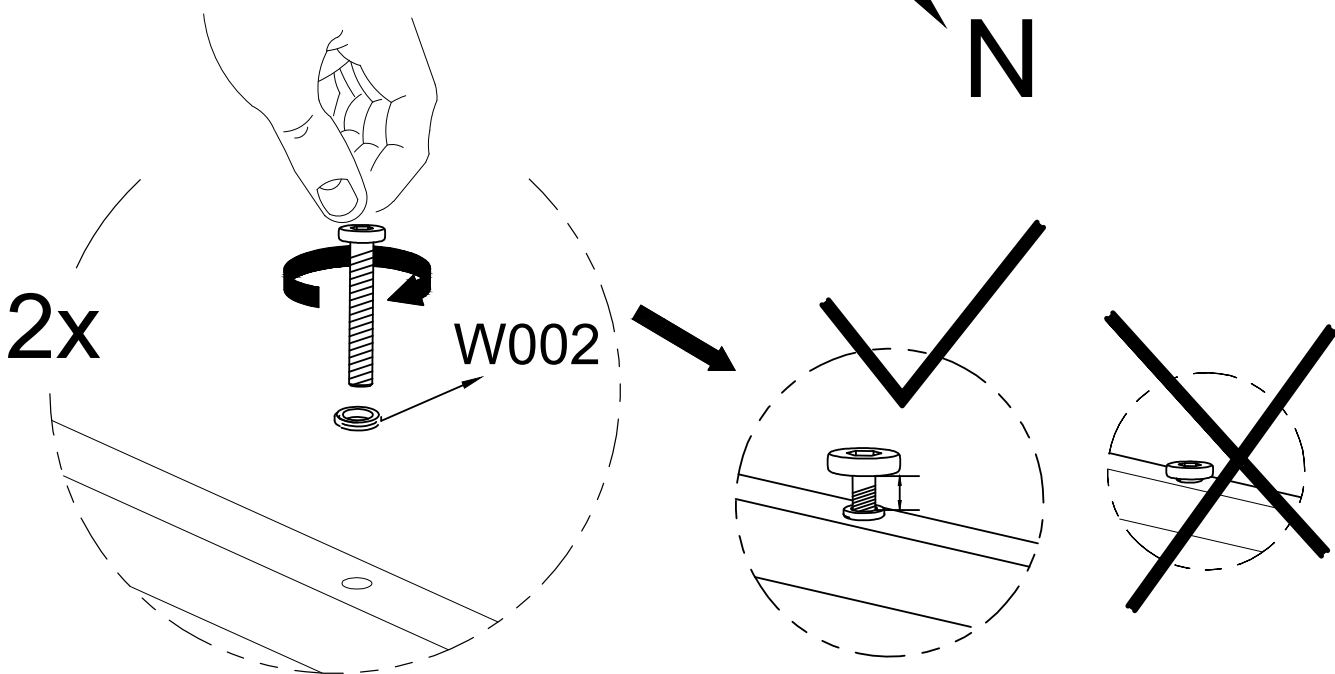
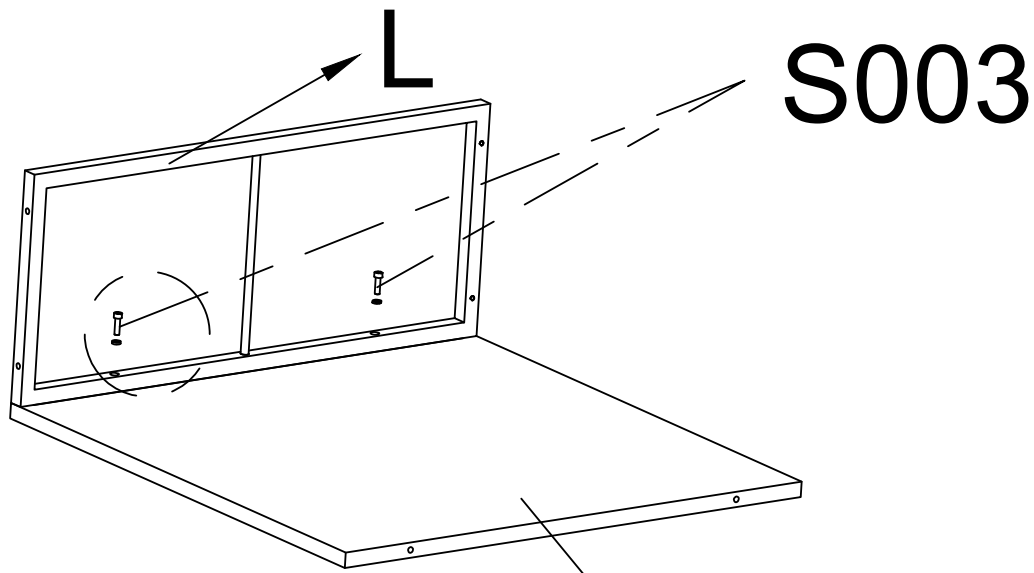
Item # SV42-SVYN708-7P Made in China Printed in China

# ASSEMBLY INSTRUCTIONS

## 1PC LEFT CORNER SOFA

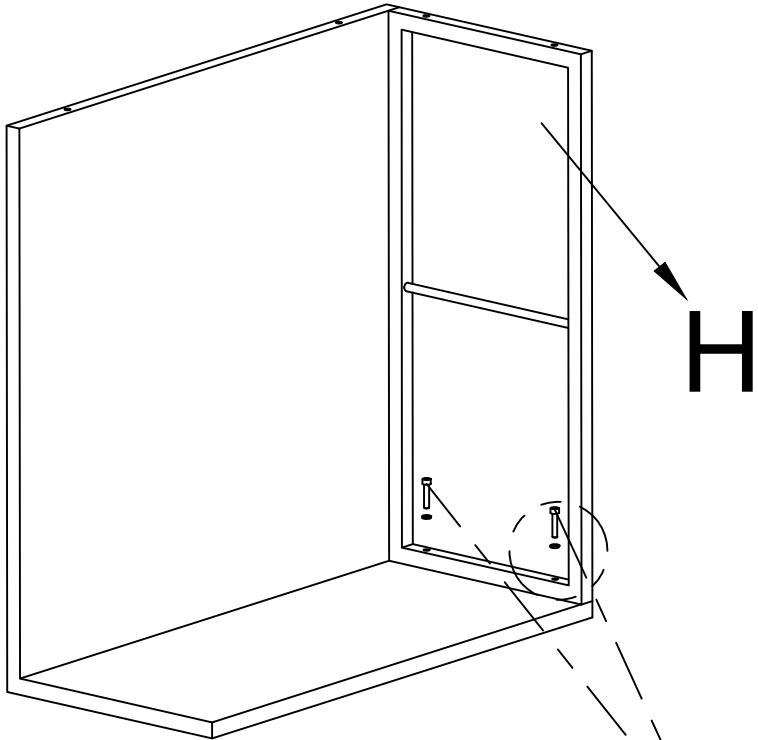
Item no.	Reference Image	Description	Qty	Item no.	Reference Image	Description	Qty
D		Left Arm Rest	1	S		L-Shaped Foot Pad	3
C		Seat Back	1	T		I-Shaped Foot Pad	1
N		Seat Base	1	S002		M6x25 Hex Socket Head Screw	8
L		Front Panel	1				
H		Side Panel	1				
S003		M6x35 Hex Socket Head Screw	10				
S004		M6x40 Hex Socket Head Screw	3				
W002		Flat Washer	15				
T001		S4 Allen Key	1				
S001		M6x15 Hex Socket Head Screw	2				
W001		Flat Washer	1				

**STEP 1**

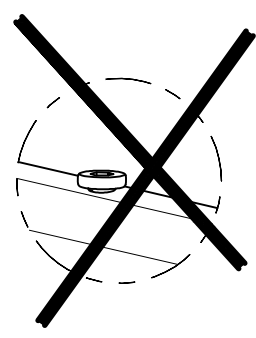
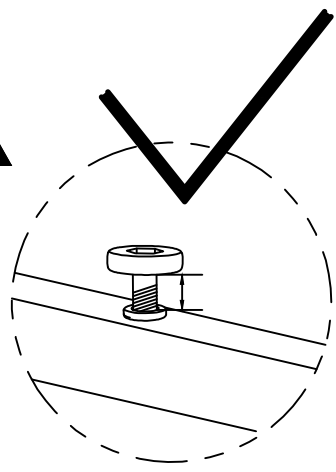
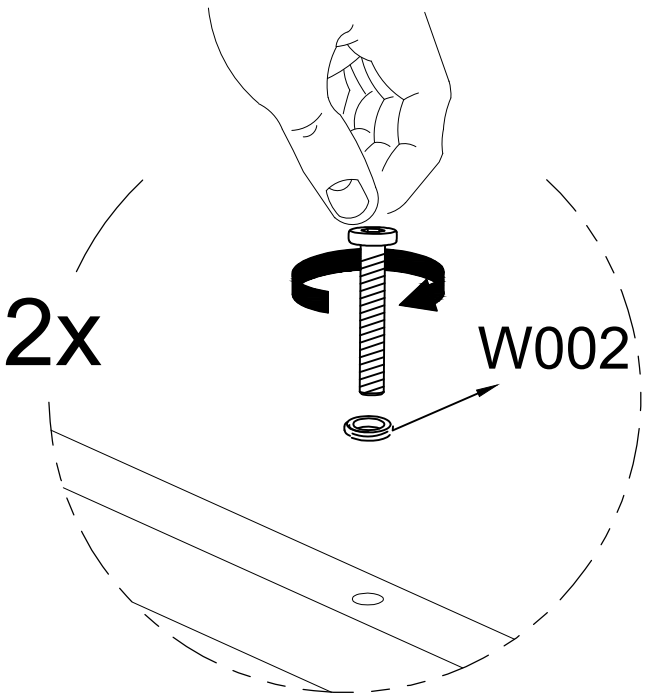


**Do Not Tighten The Screws Completely!**

**STEP 2**



**S003**

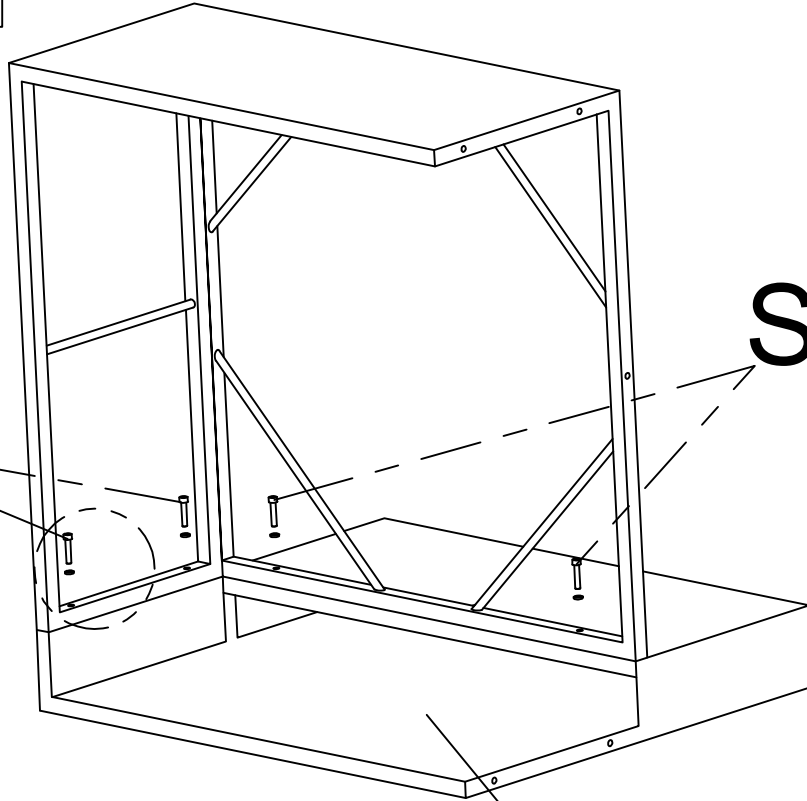


**Do Not Tighten The Screws Completely!**

**STEP 3**

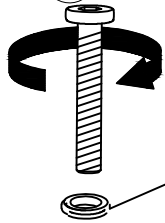
**S003**

**S004**

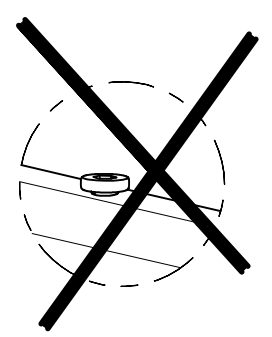
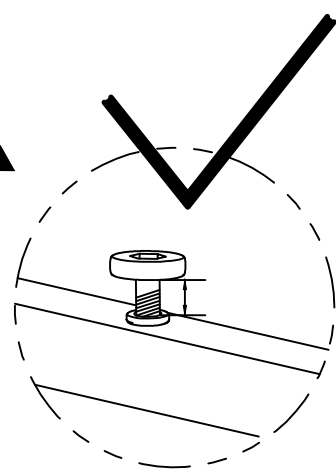


**C**

**4x**

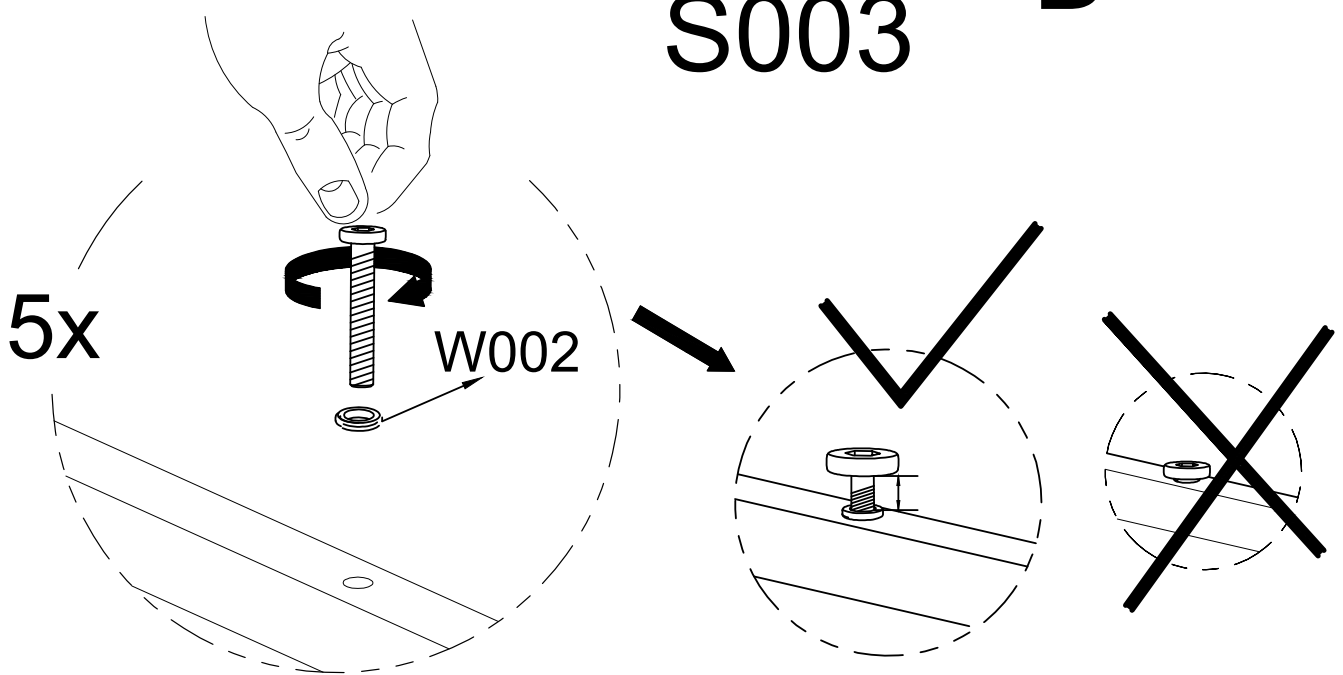
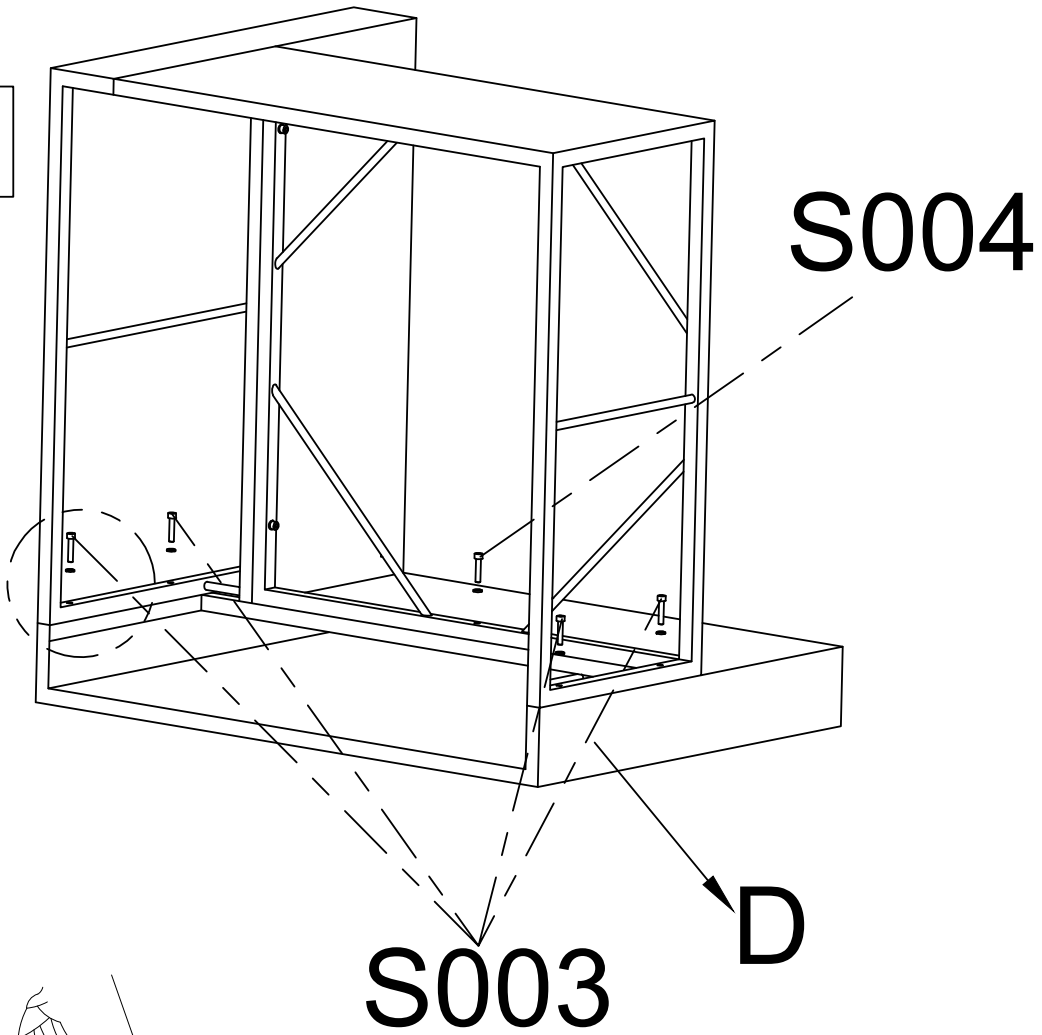


**W002**



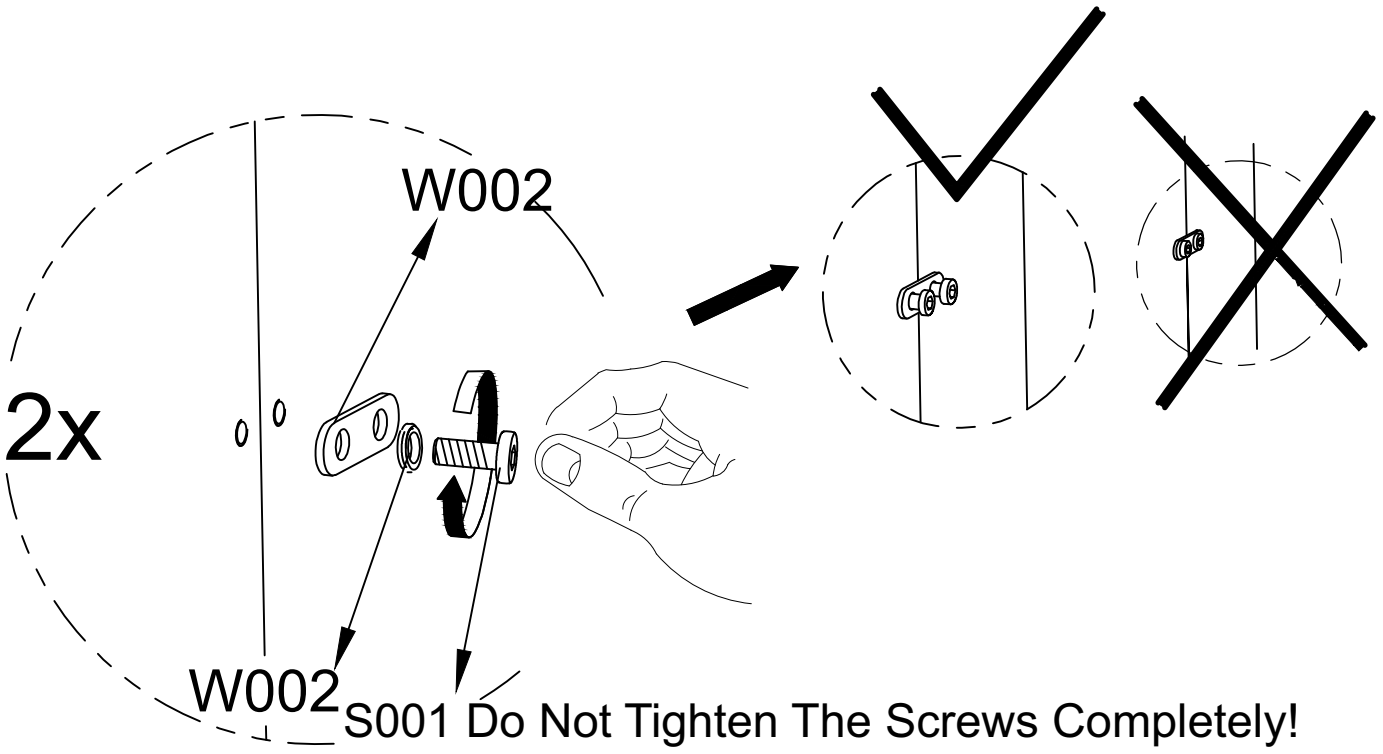
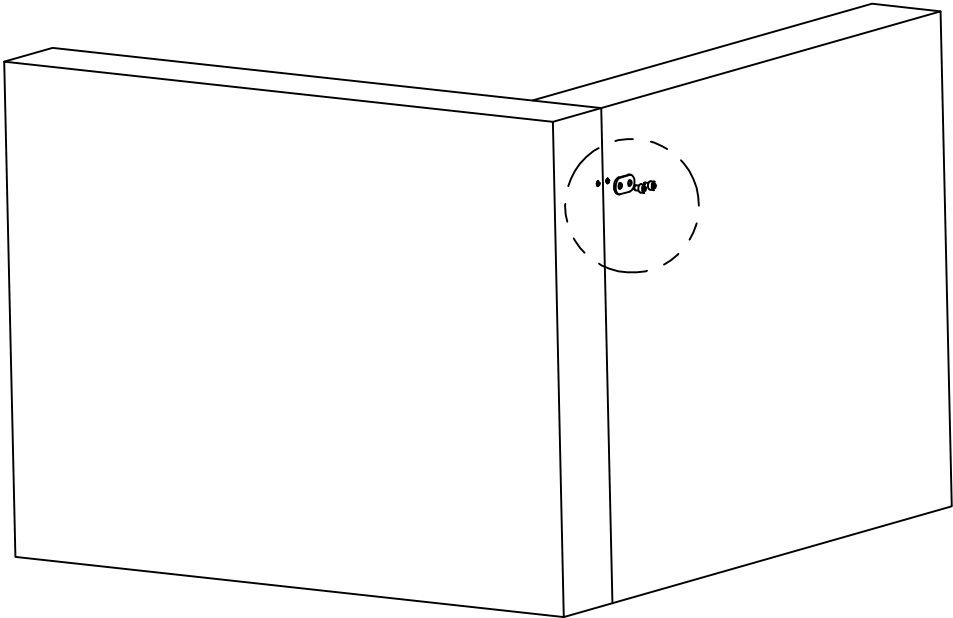
**Do Not Tighten The Screws Completely!**

**STEP 4**

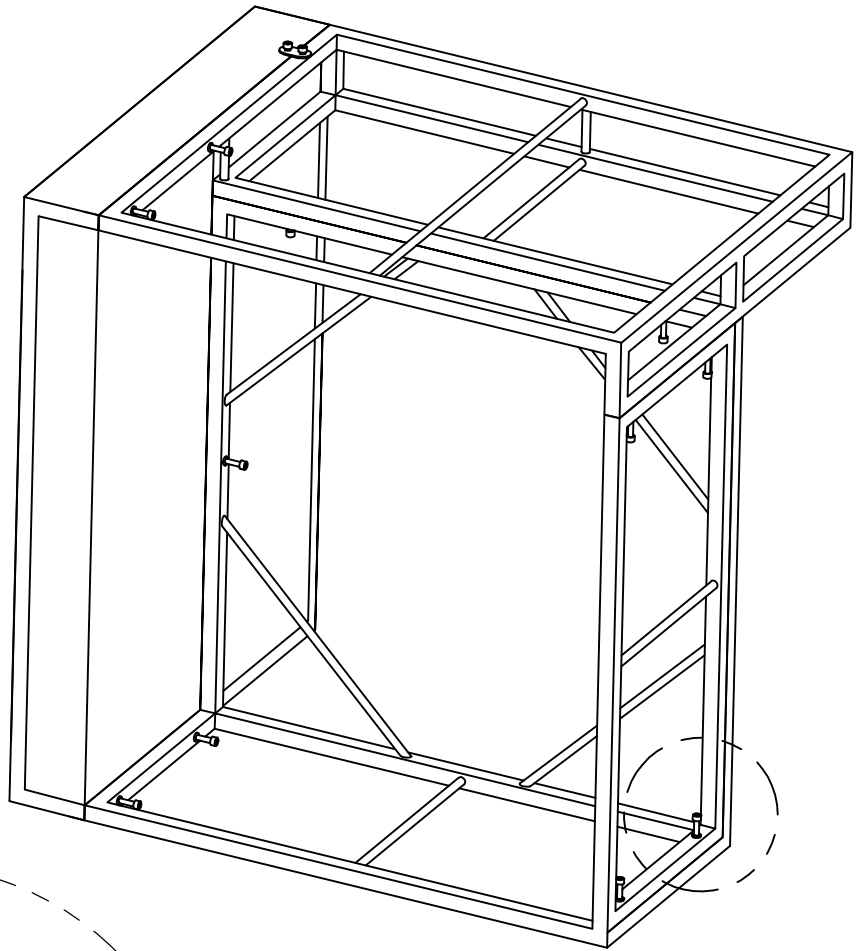


**Do Not Tighten The Screws Completely!**

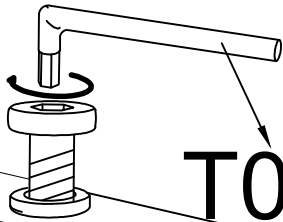
# STEP 5



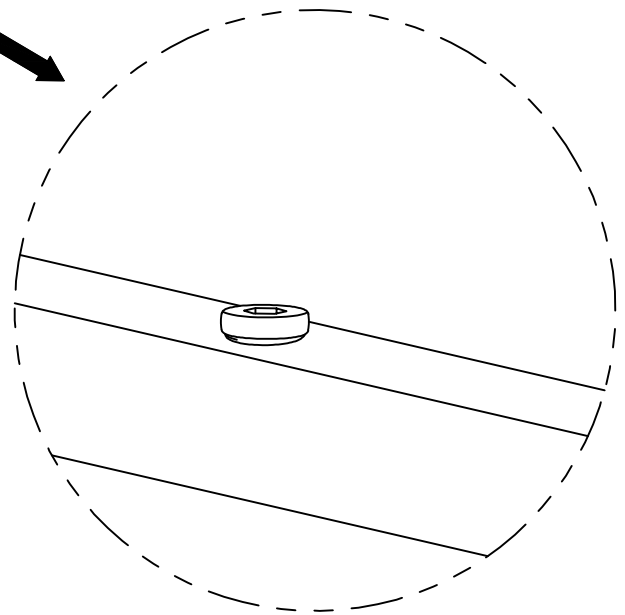
# STEP 6



13x



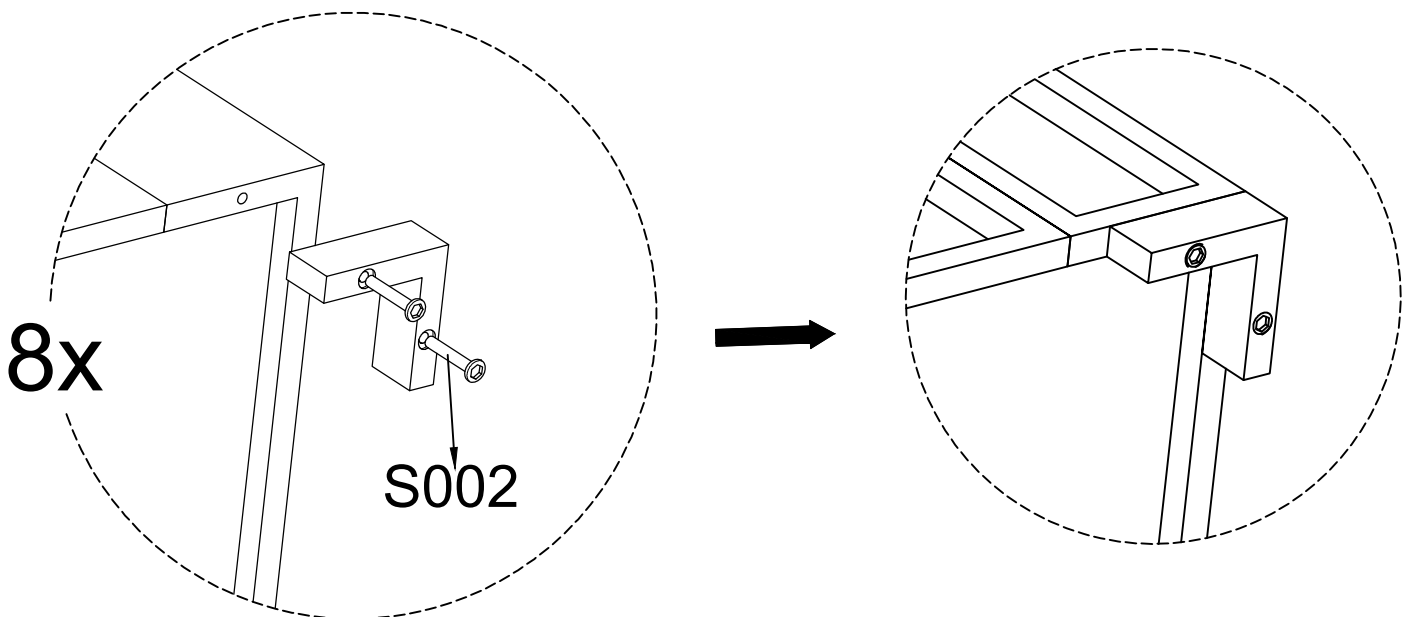
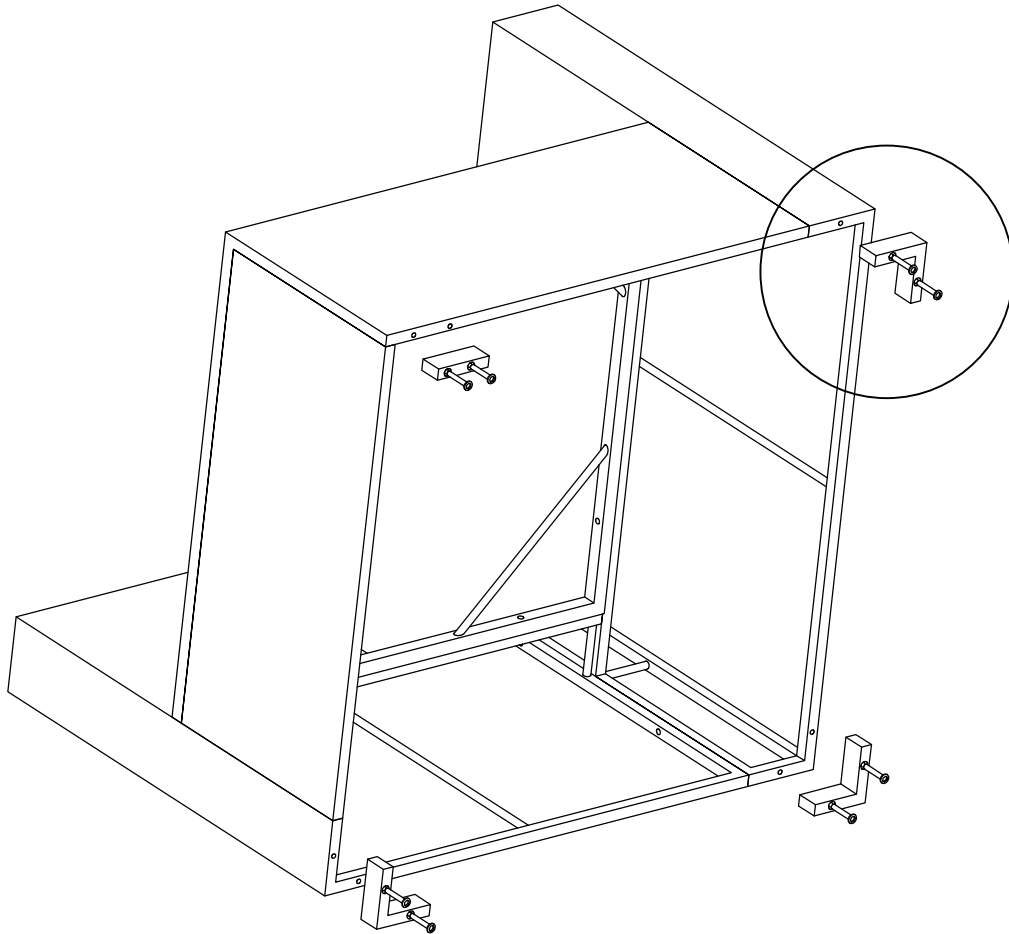
T001



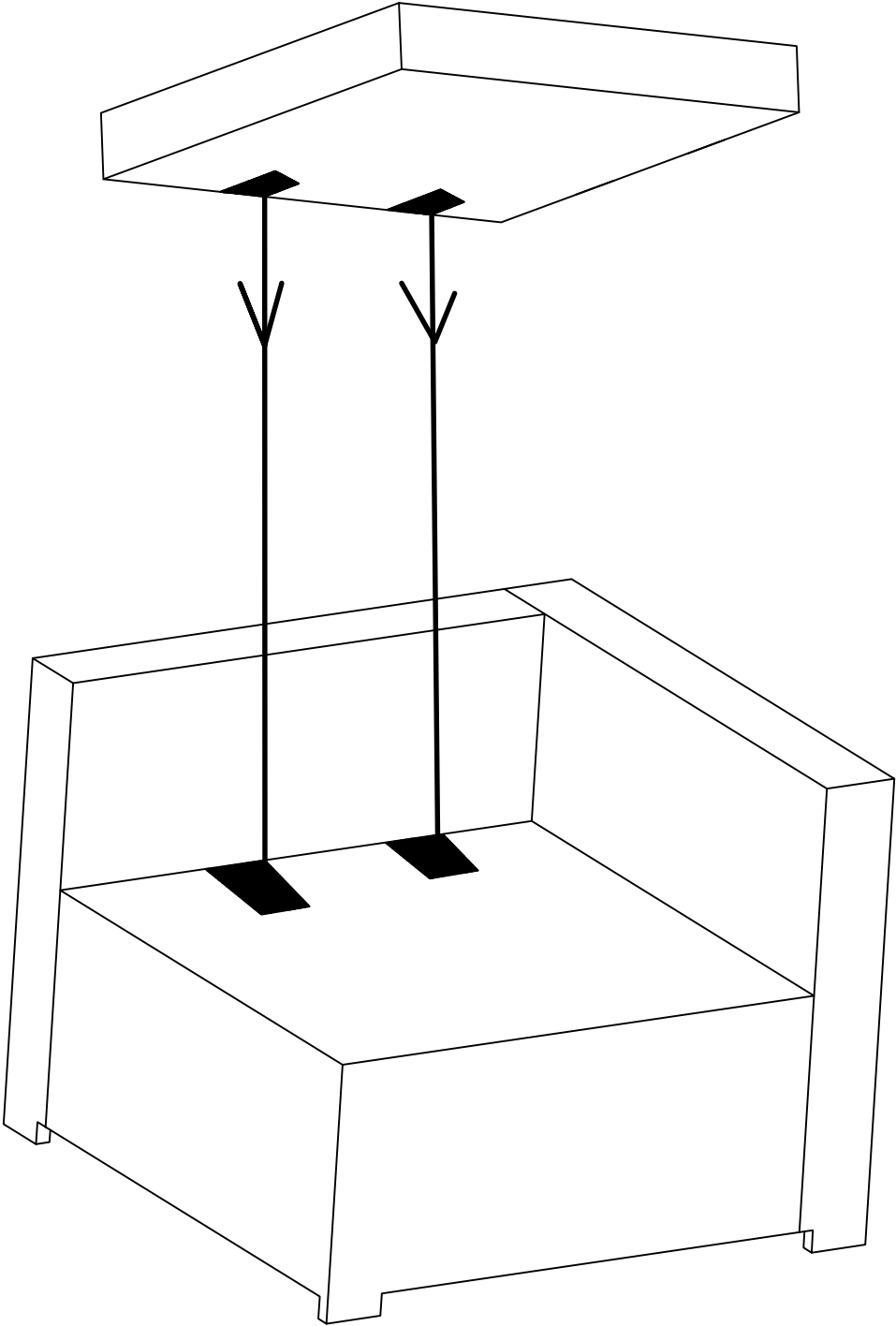
Tighten The Screws Completely Now!

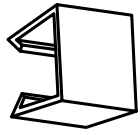
**STEP 7**

**Assemble 3 Foot L Shape  
& 1 I-Shaped Foot Pad**

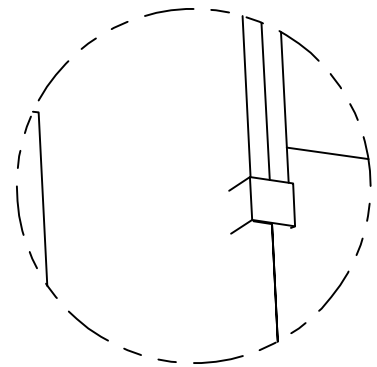
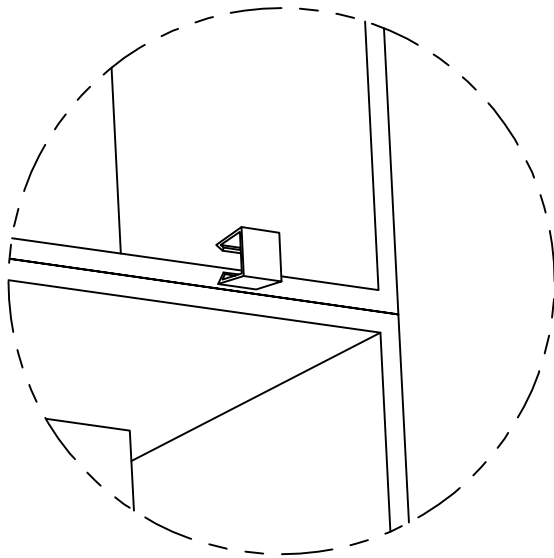
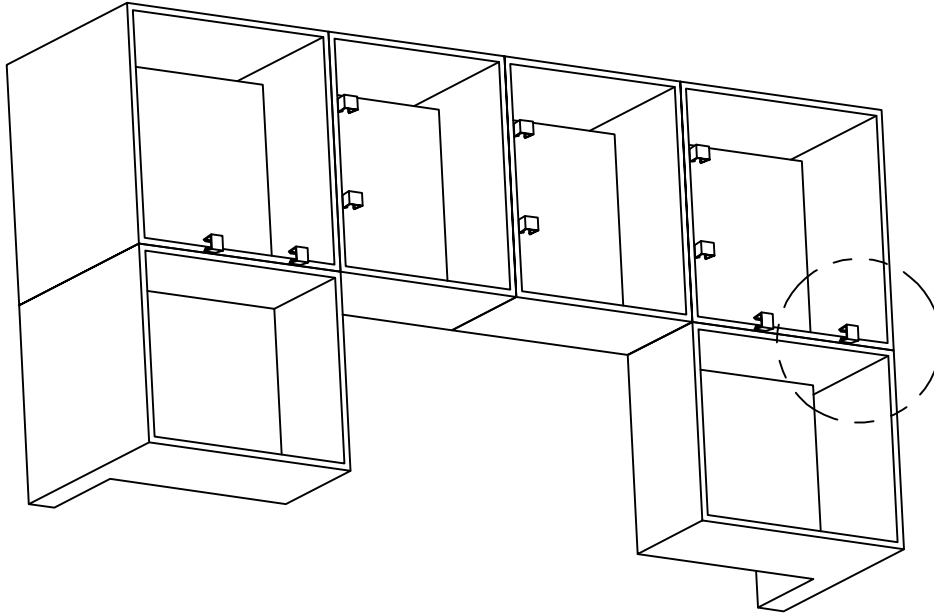


**STEP 8**





You might need plastic clips to connect each sofa after all assembling.



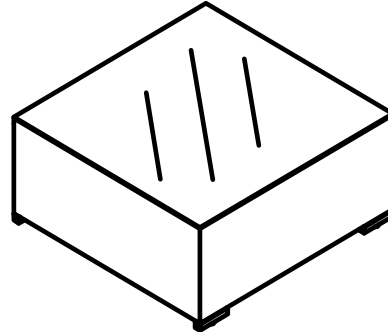
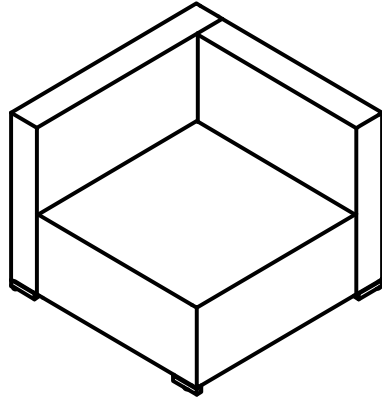
**WARNING:** Keep all small parts out of the reach of children.

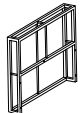




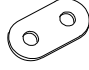
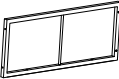
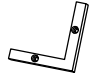
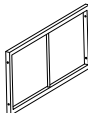





**National Outdoor Living** Cranford, New Jersey 07016 • [nationaloutdoorliving.com](http://nationaloutdoorliving.com)

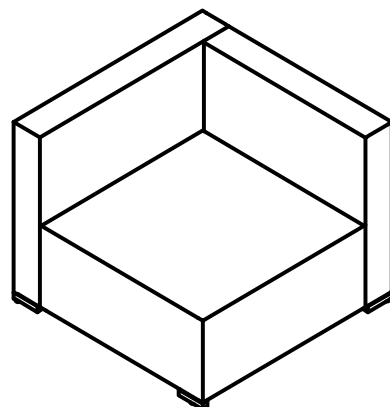
Item # SV42-SVYN708-7P Made in China Printed in China

# ASSEMBLY INSTRUCTIONS

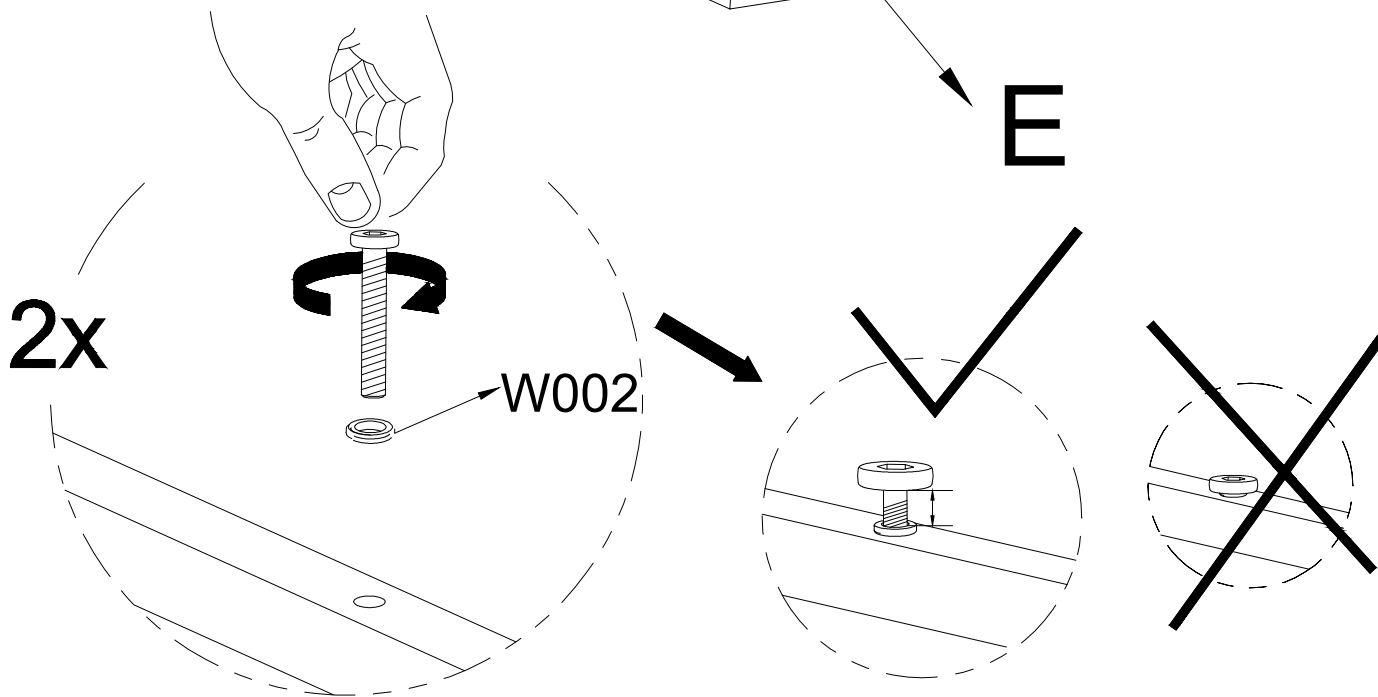
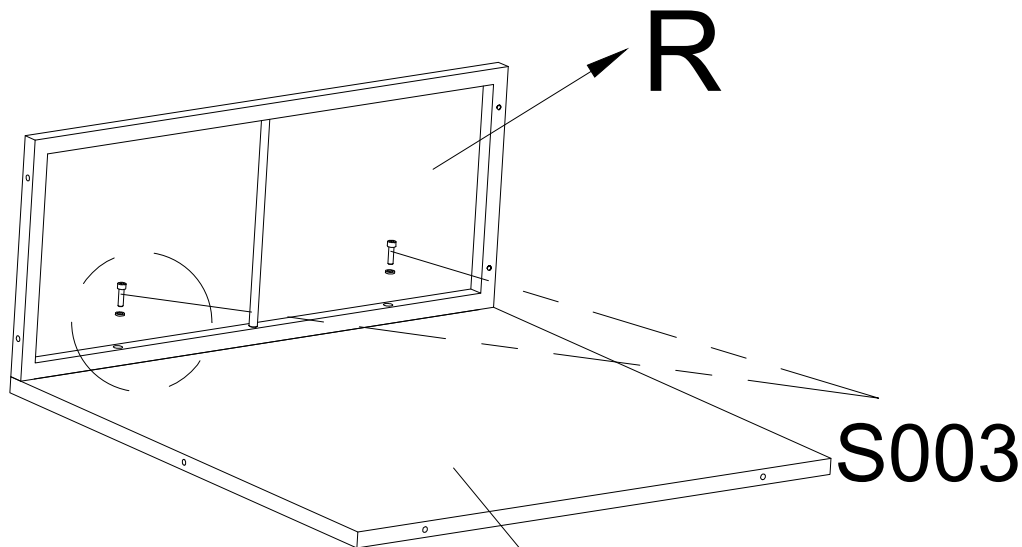
## 1PC RIGHT CORNER SOFA + 1PC COFFEE TABLE



Item no.	Reference Image	Description	Qty	Item no.	Reference Image	Description	Qty
A		Right Arm Rest	1	T001		S4 Allen Key	1
B		Seat Back	1	S001		M6x15 Hex Socket Head Screw	2
E		Seat Base	1	W001		Flat Washer	1
R		Front Panel	1	S		L-Shaped Foot Pad	3
H		Side Panel	1	T		I-Shaped Foot Pad	1
S003		M6x35 Hex Socket Head Screw	10	S002		M6x25 Hex Socket Head Screw	8
S004		M6x40 Hex Socket Head Screw	3				
W002		Flat Washer	15				

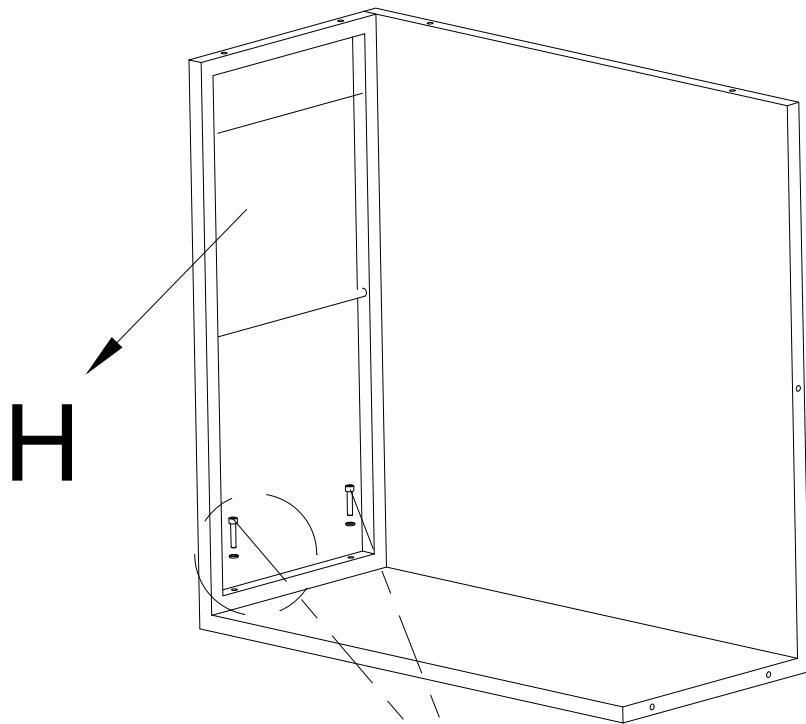


**STEP 1**

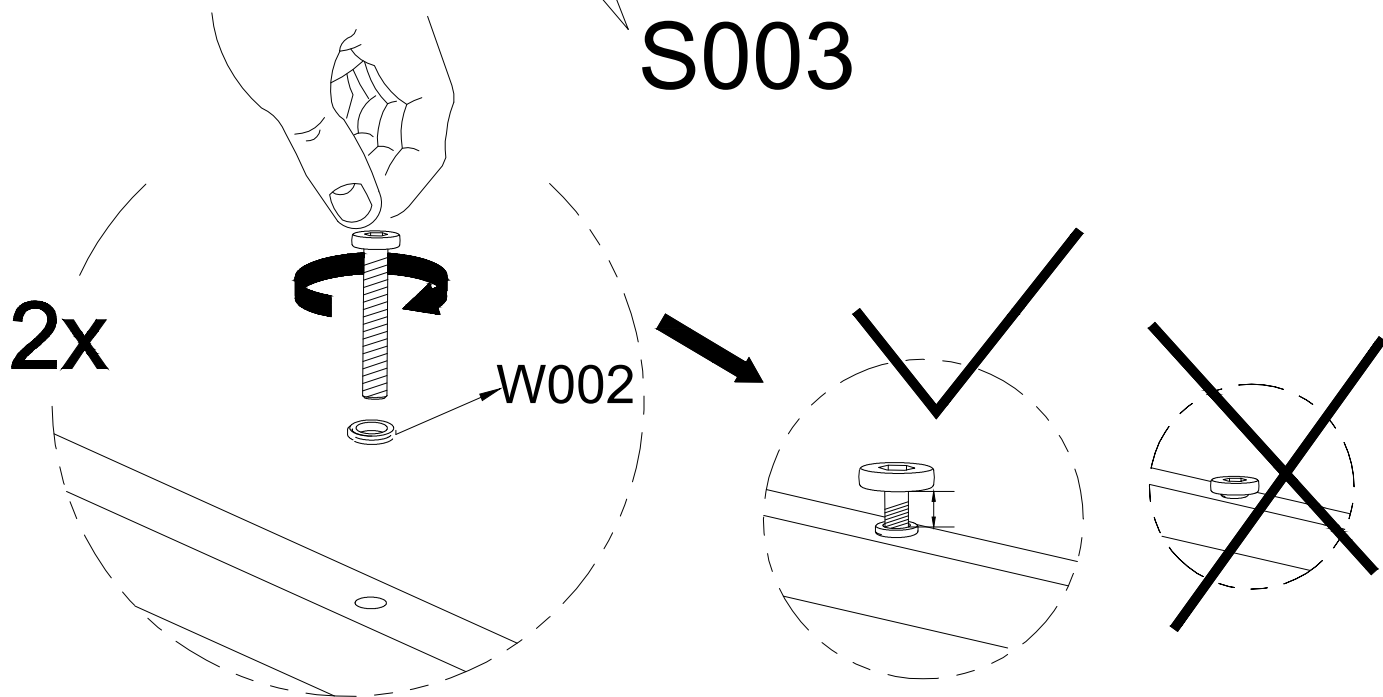


**Do Not Tighten The Screws Completely!**

# STEP 2



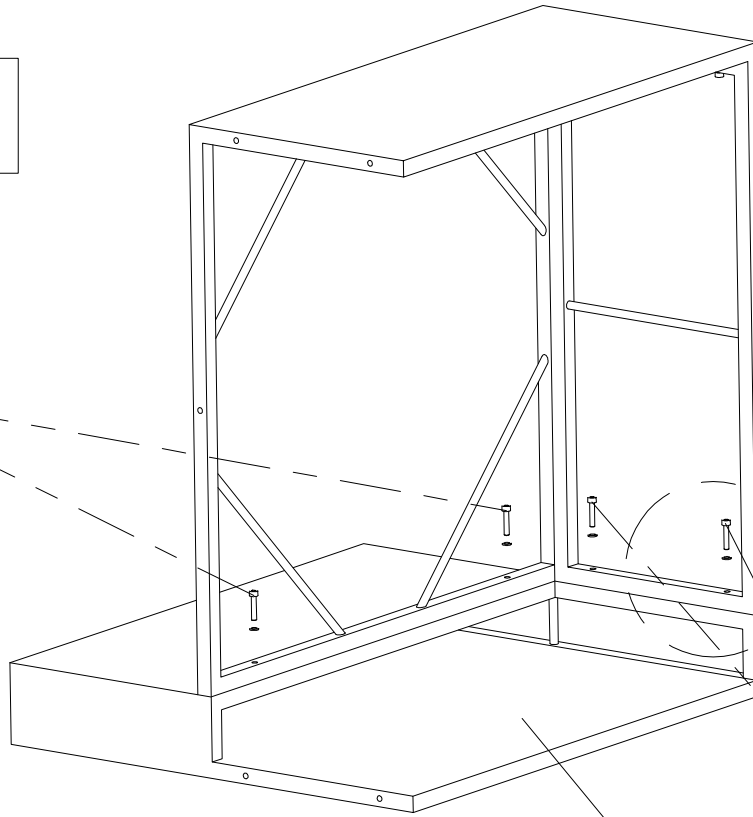
S003



Do Not Tighten The Screws Completely!

**STEP 3**

**S004**



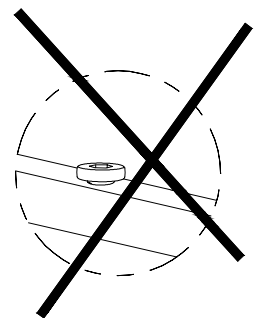
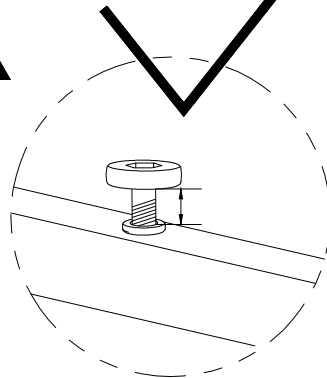
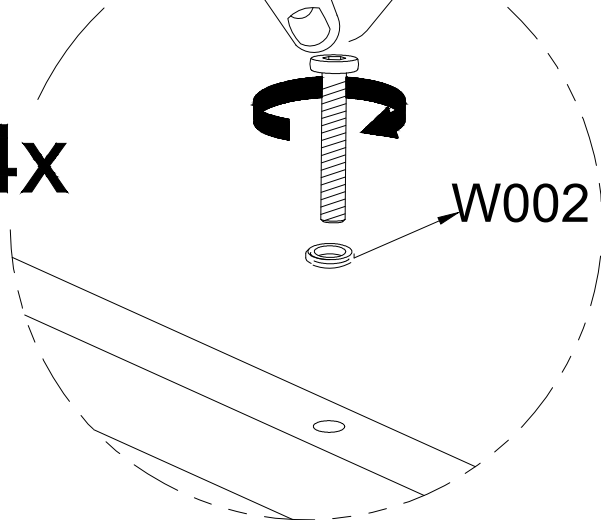
**S003**

**B**

**4x**



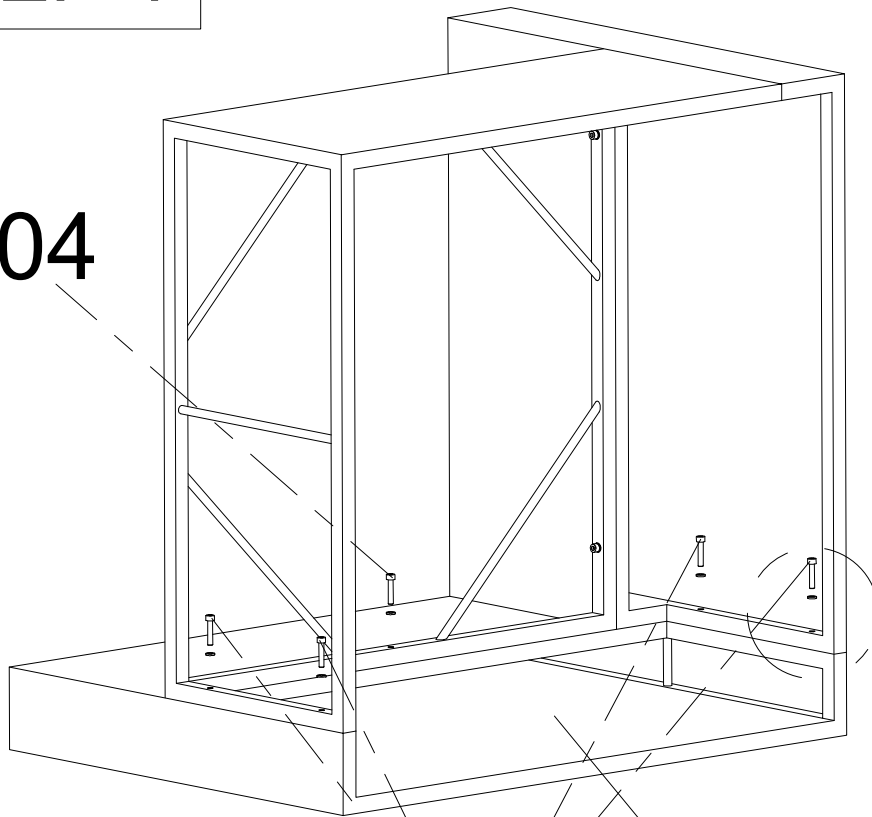
**W002**



**Do Not Tighten The Screws Completely!**

# STEP 4

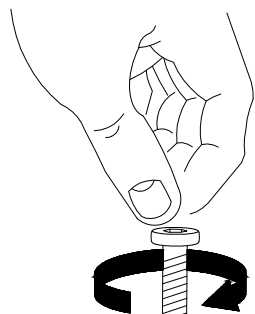
S004



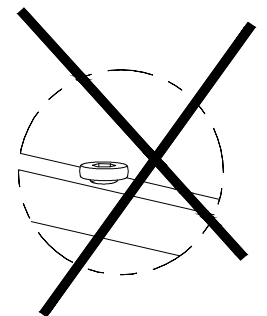
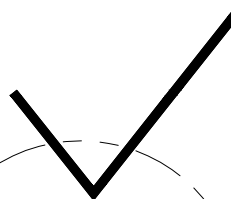
A

S003

5x

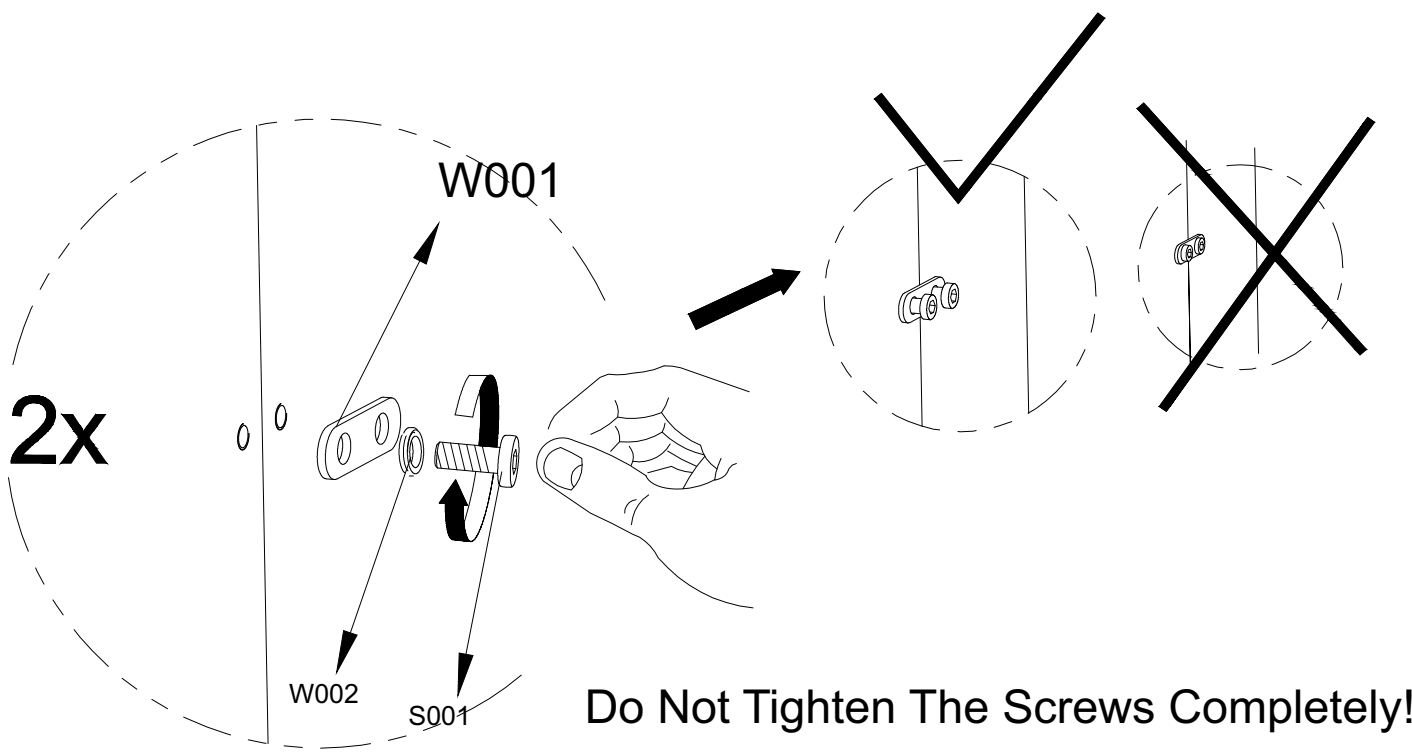
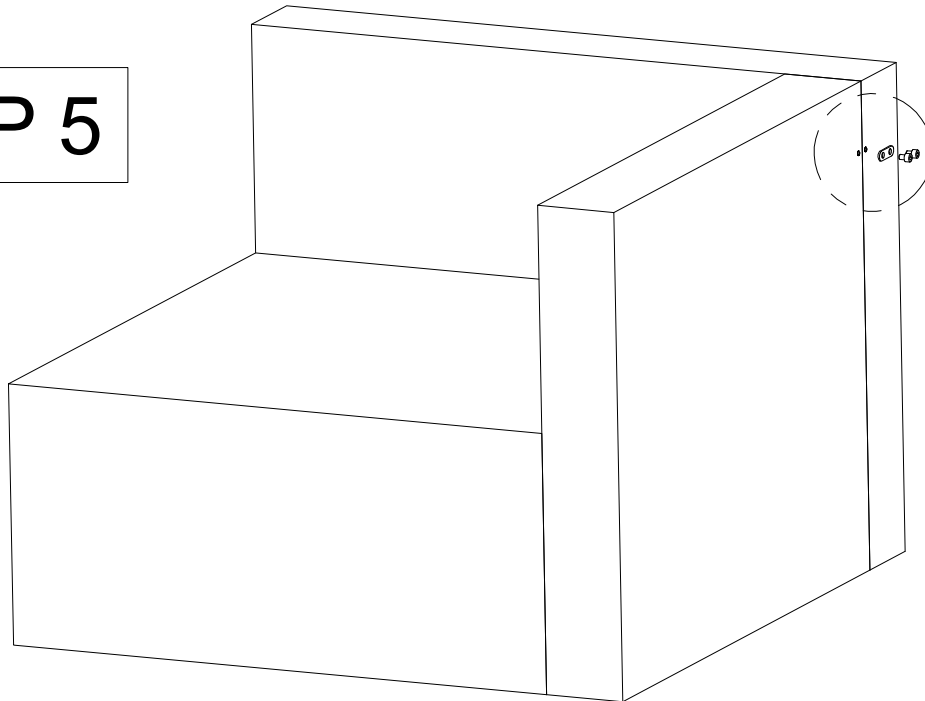


W002

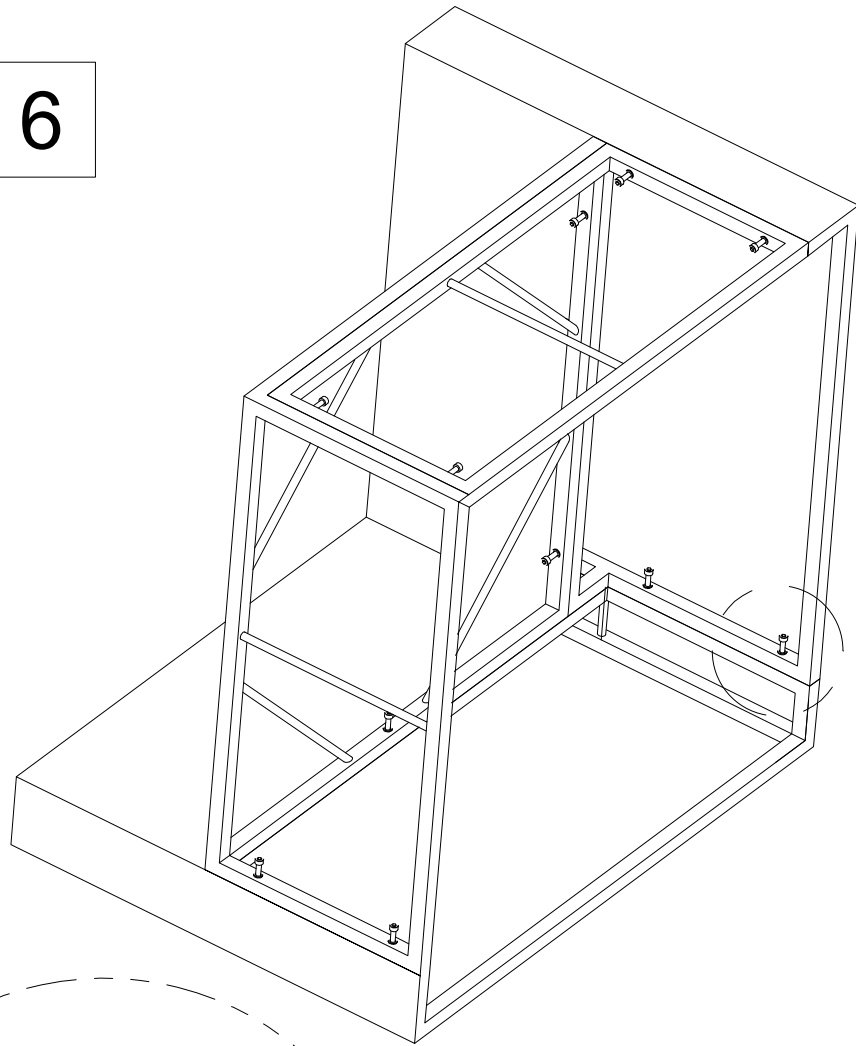


Do Not Tighten The Screws Completely!

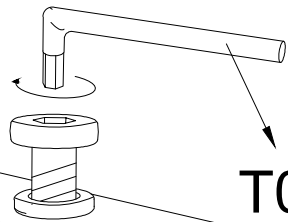
# STEP 5



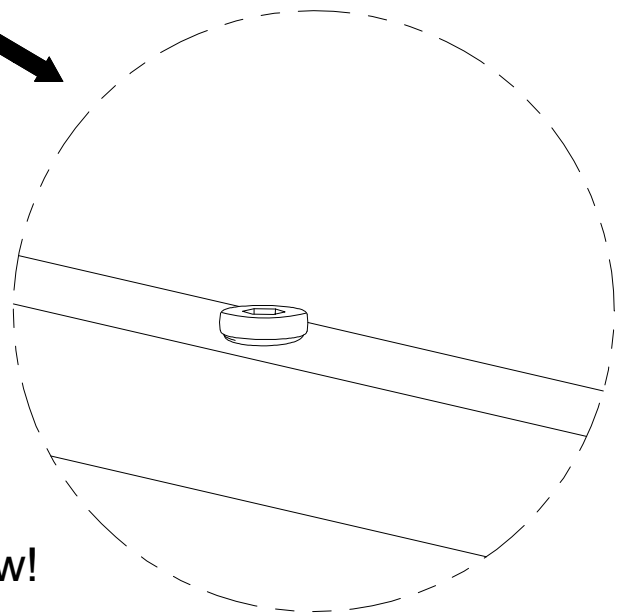
# STEP 6



15x



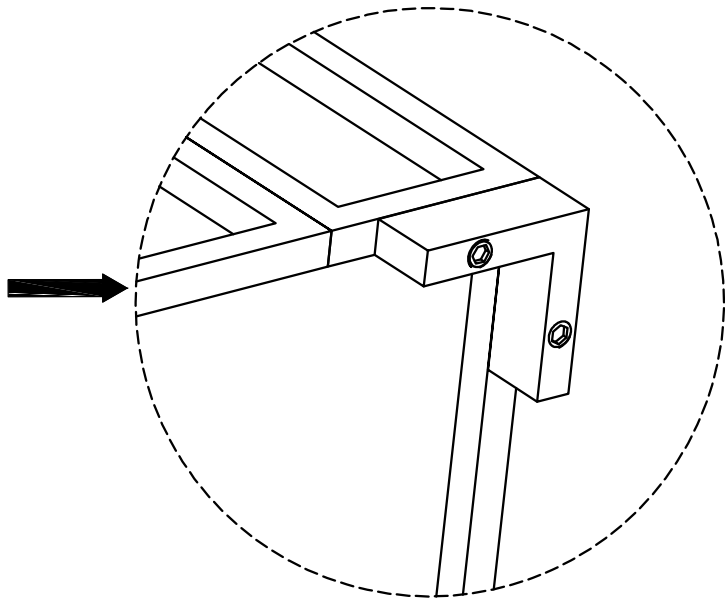
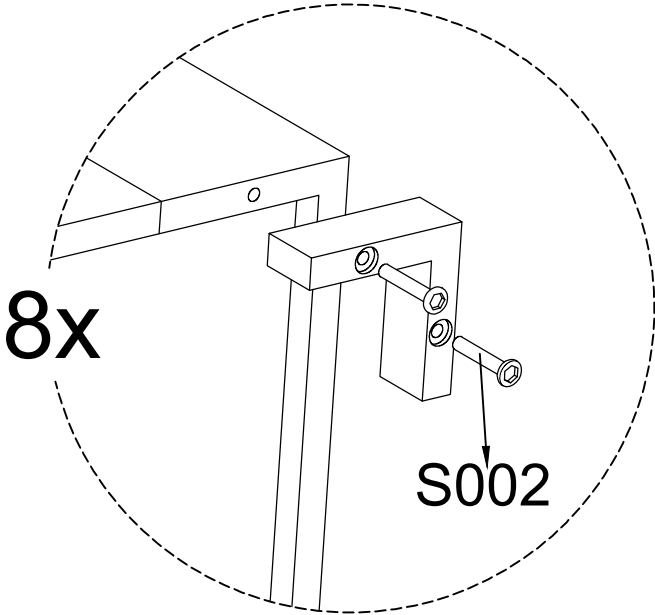
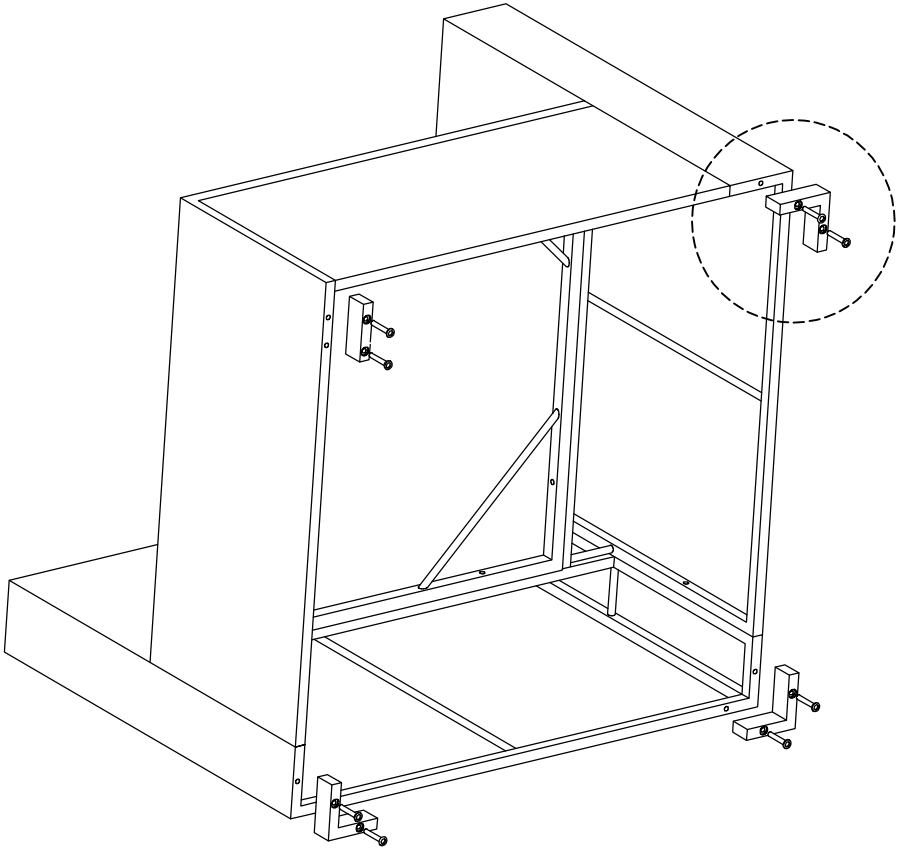
T001



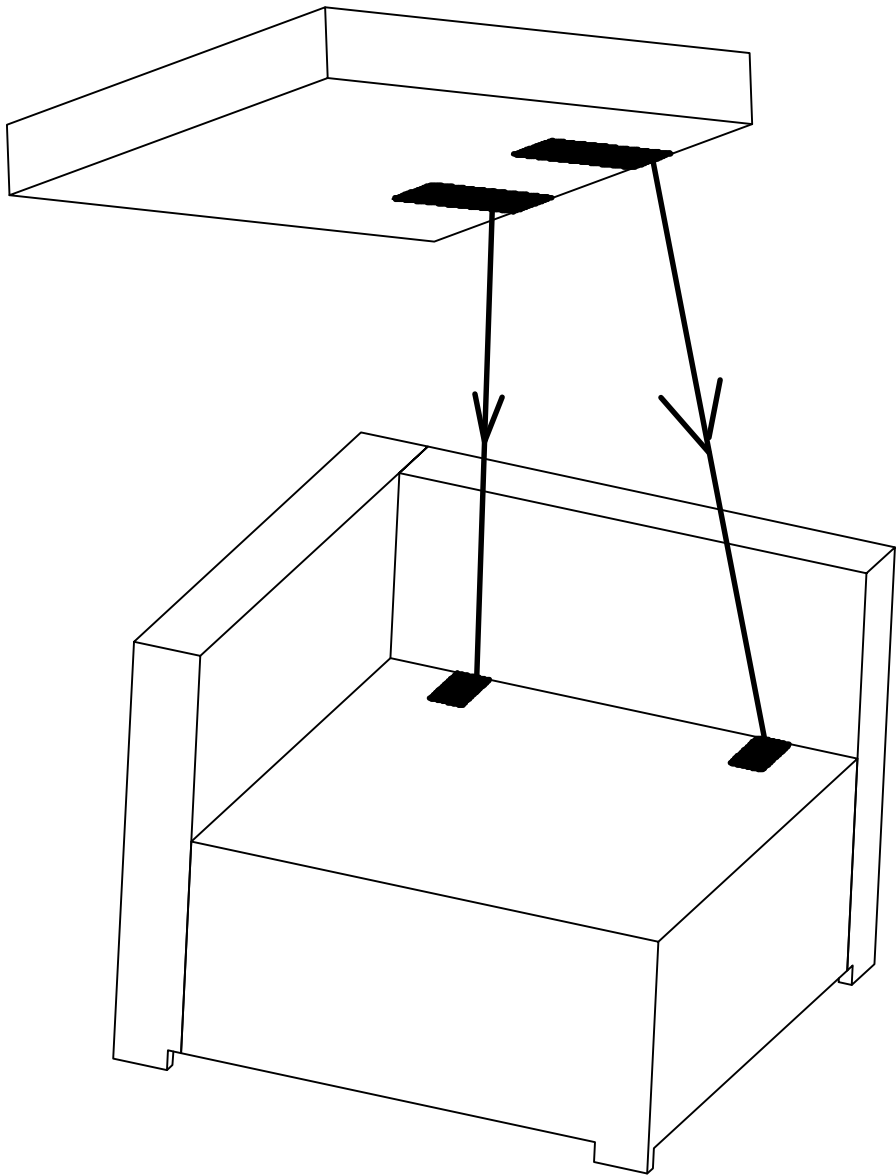
**Tighten The Screws Completely Now!**

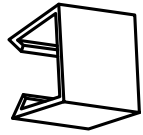
**STEP 7**

**Assemble 3 Foot L Shape  
& 1 I-Shaped Foot Pad**

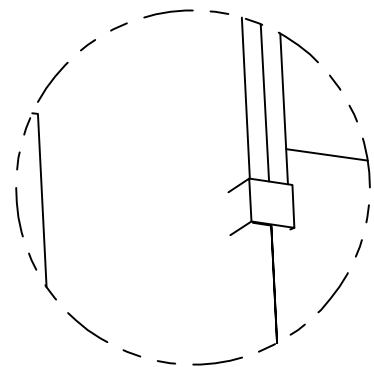
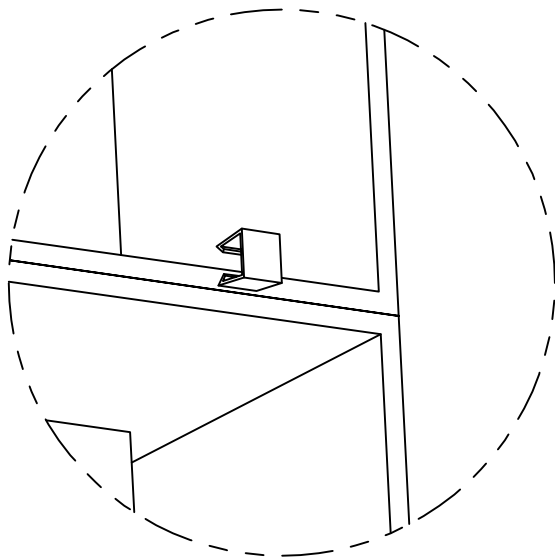
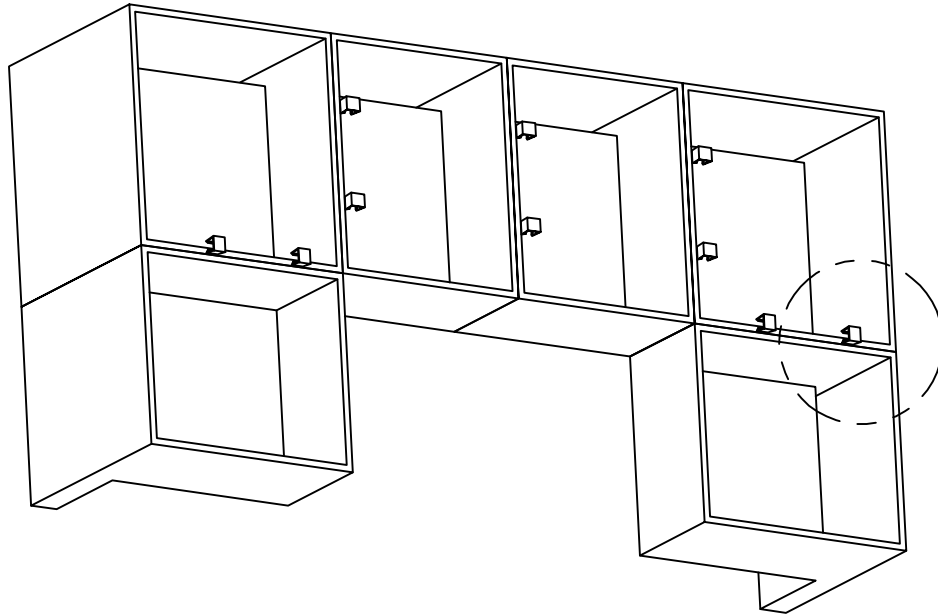



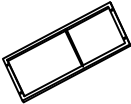
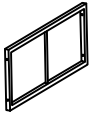
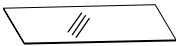





**STEP 8**

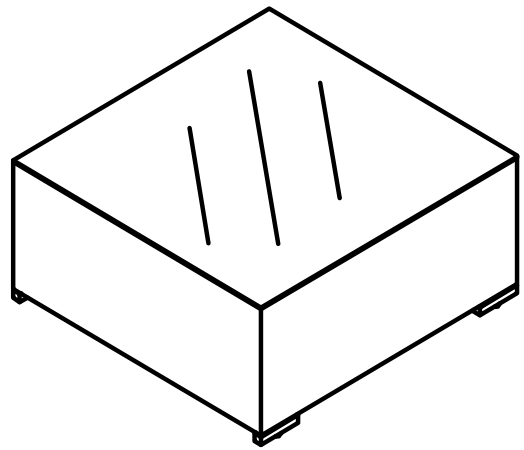




You might need plastic clips to connect each sofa after all assembling.

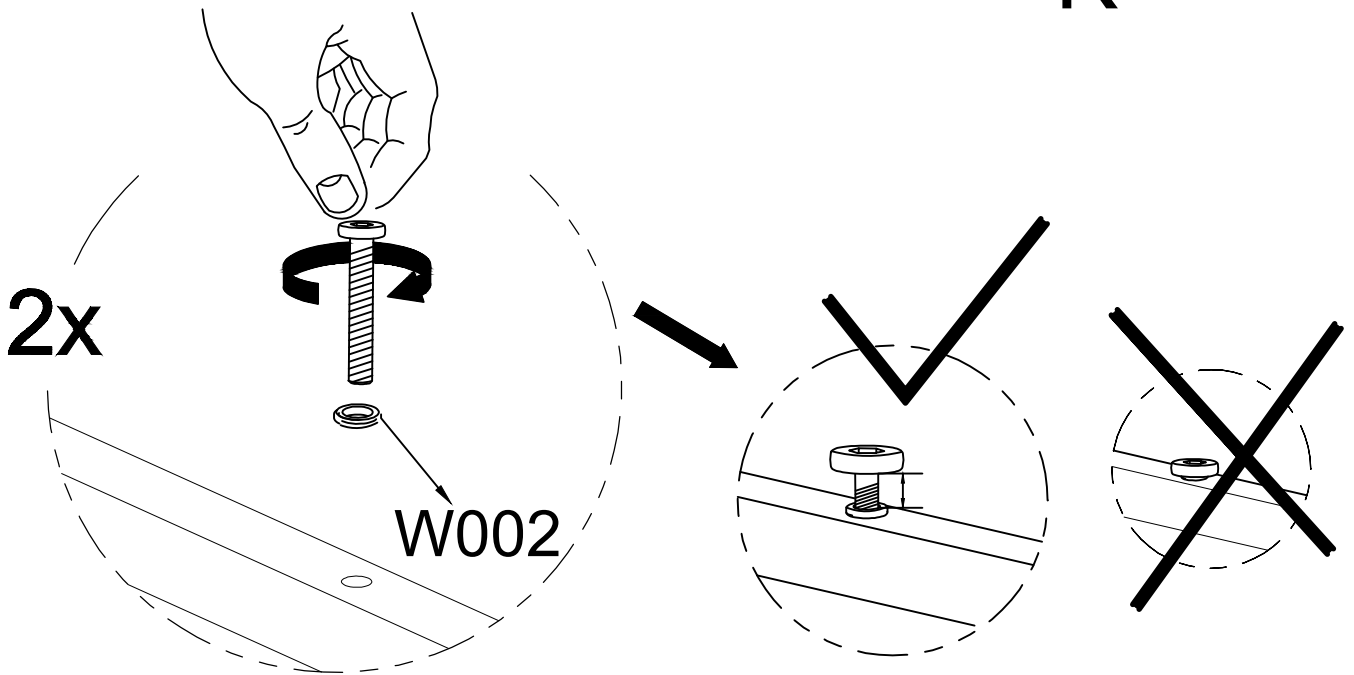
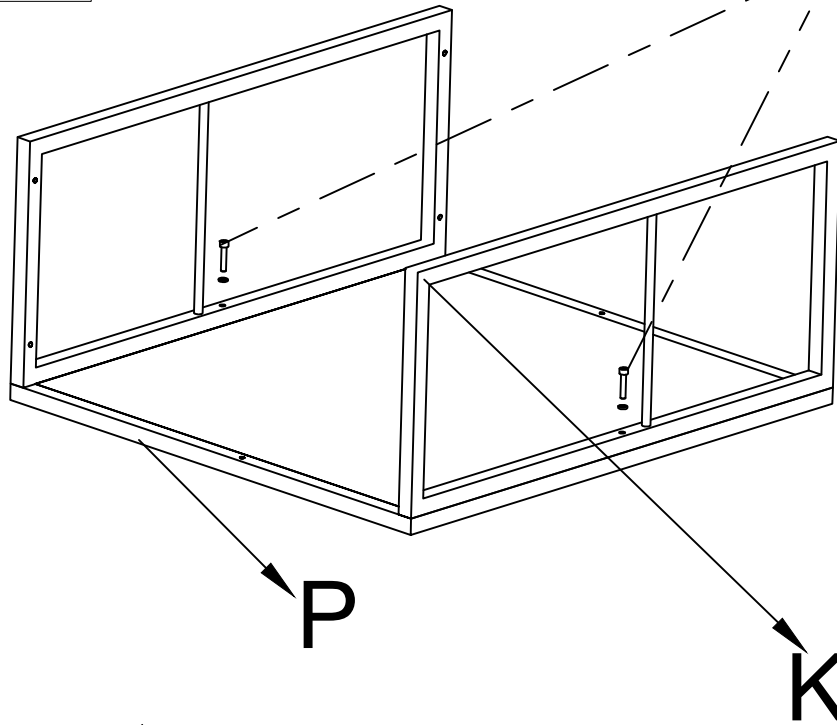


Item no.	Reference Image	Description	Qty
P		Table Top	1
K		Side Panels	2
L		Front & Back Panel	2
M		Front Panel	1
S003		M6x35 Hex Socket Head Screw	12
W002		Flat Washer	12
T001		S4 Allen Key	1
T		I-Shaped Foot Pad	4
S002		M6x25 Hex Socket Head Screw	8



**STEP 1**

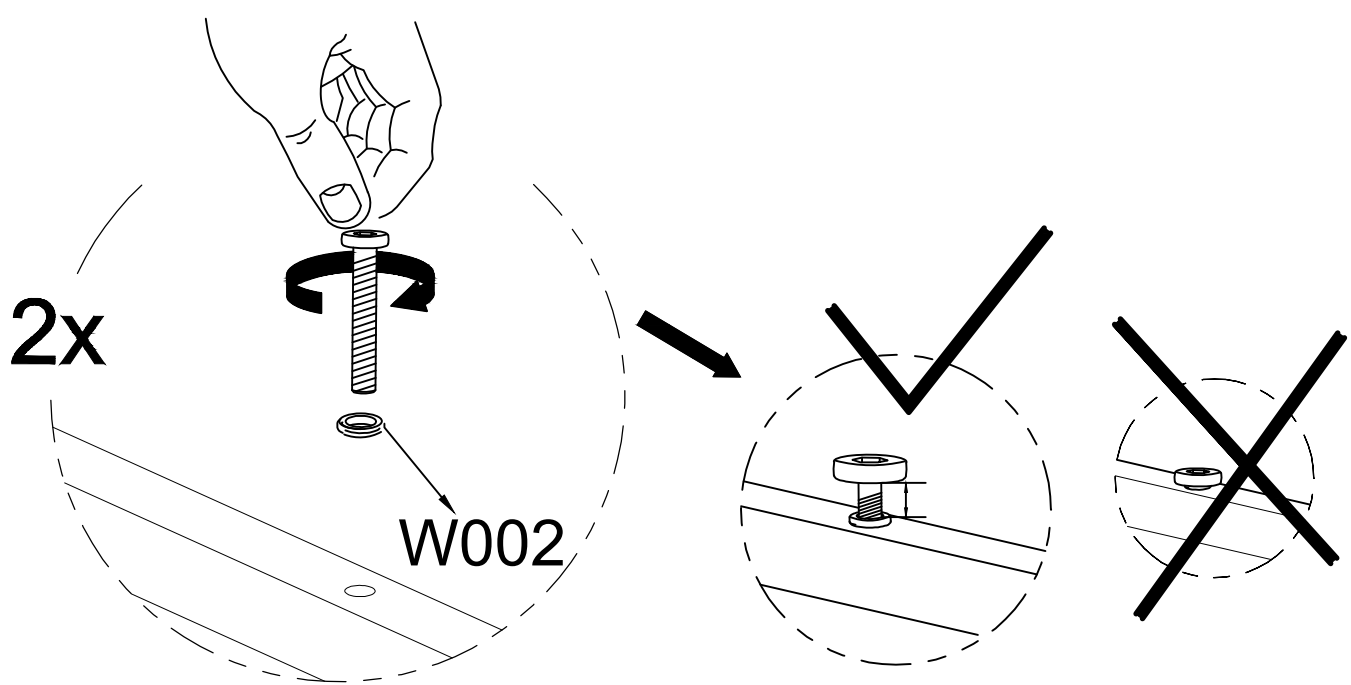
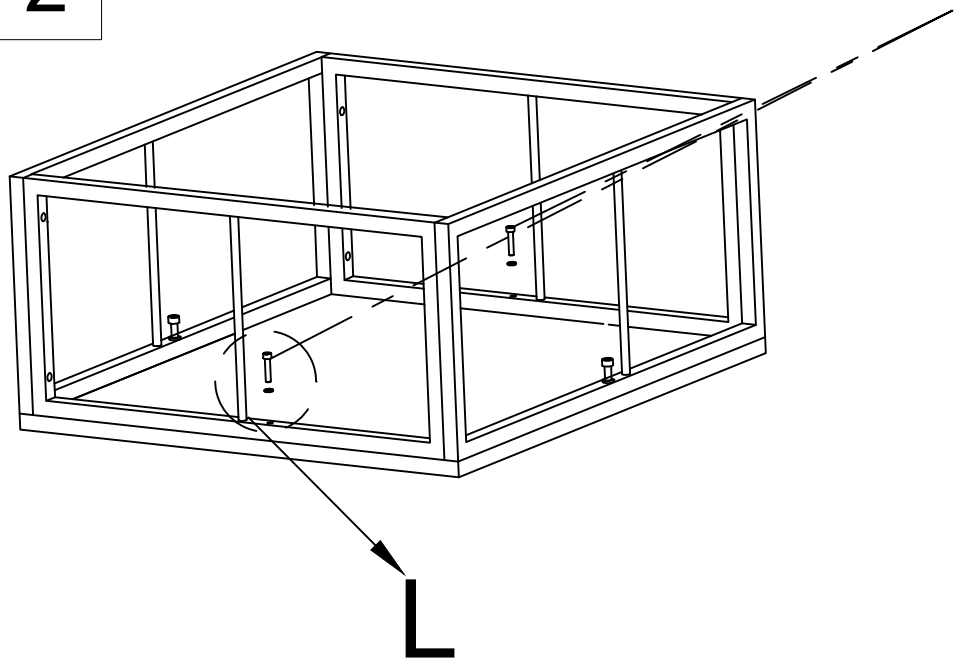
**S003**



**Do Not Tighten The Screws Completely!**

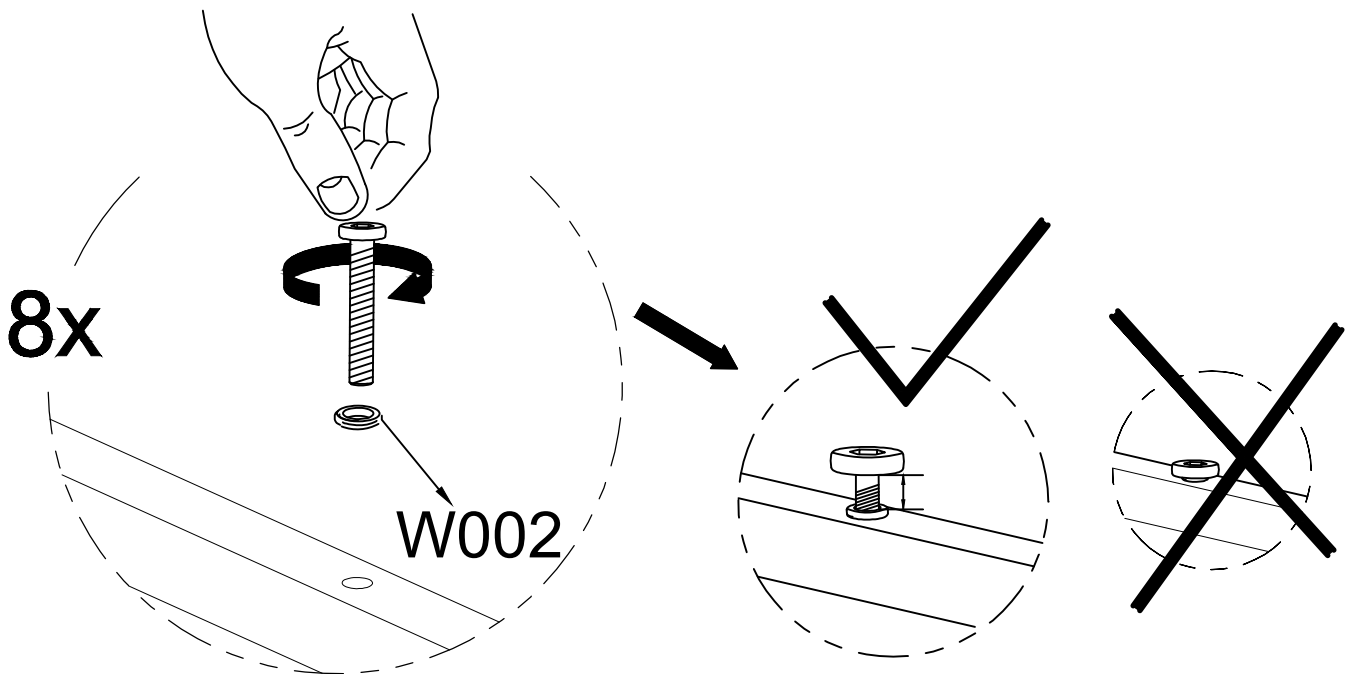
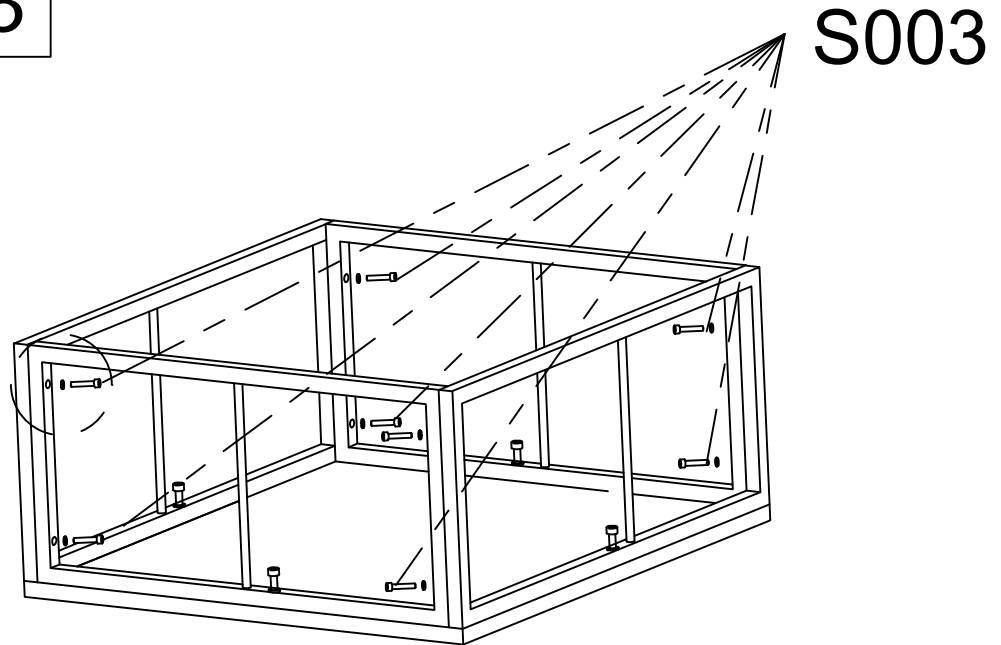
**STEP 2**

**S003**



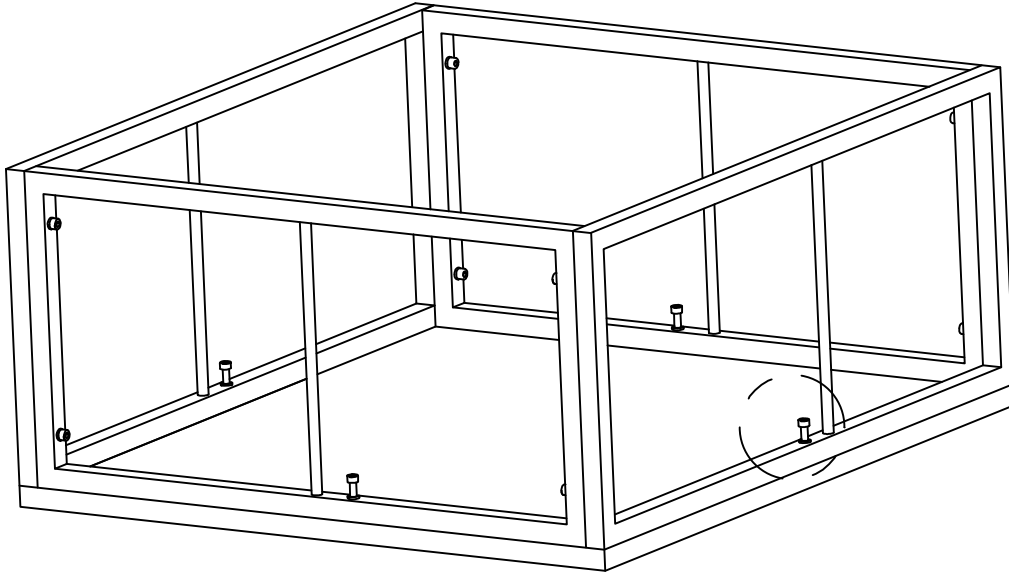
**Do Not Tighten The Screws Completely!**

# STEP 3

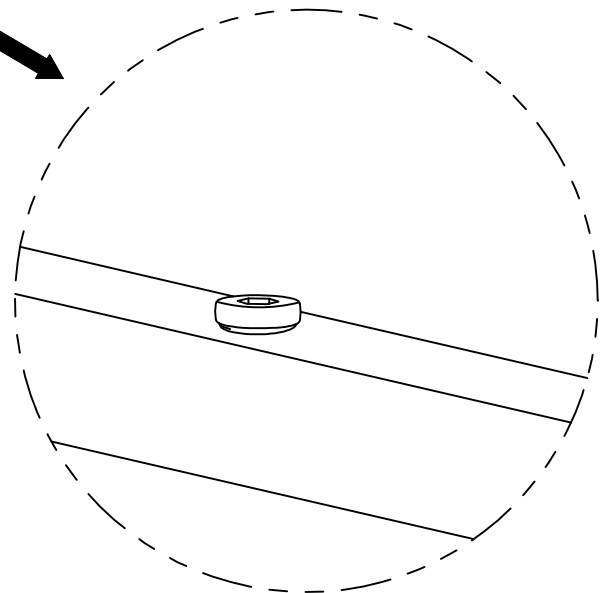
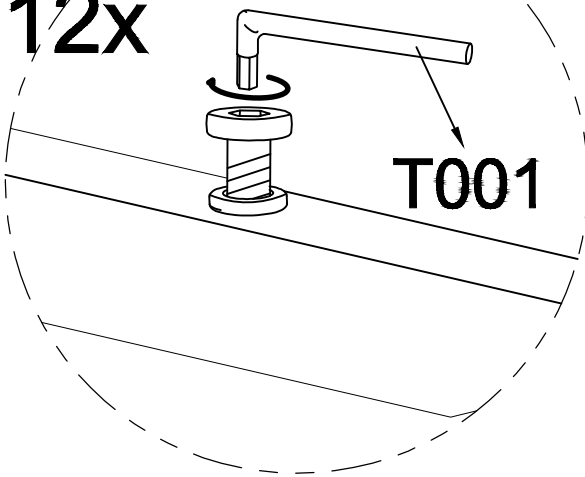


Do Not Tighten The Screws Completely!

# STEP 4



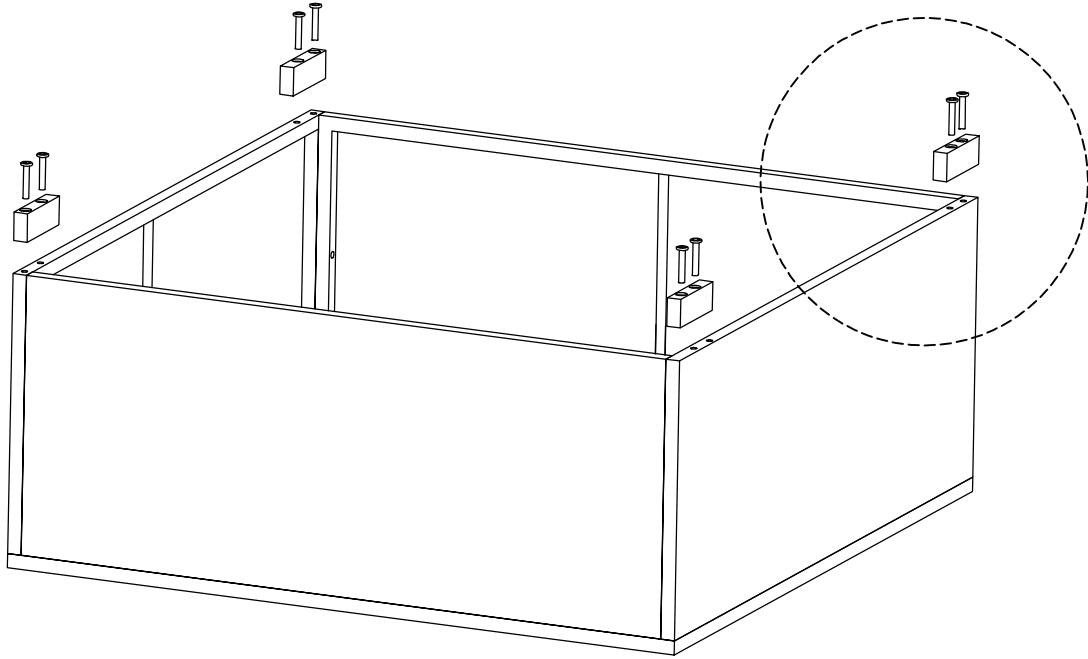
12x



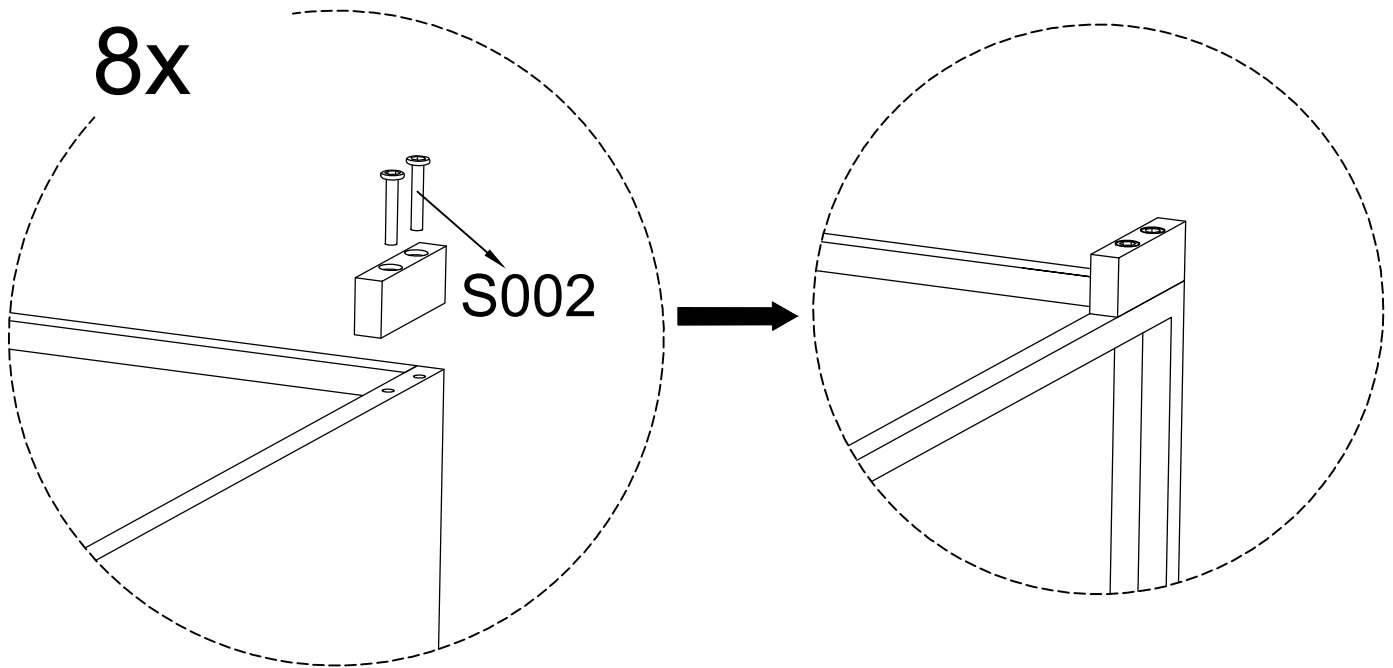
Tighten The Screws Completely Now!

**STEP 5**

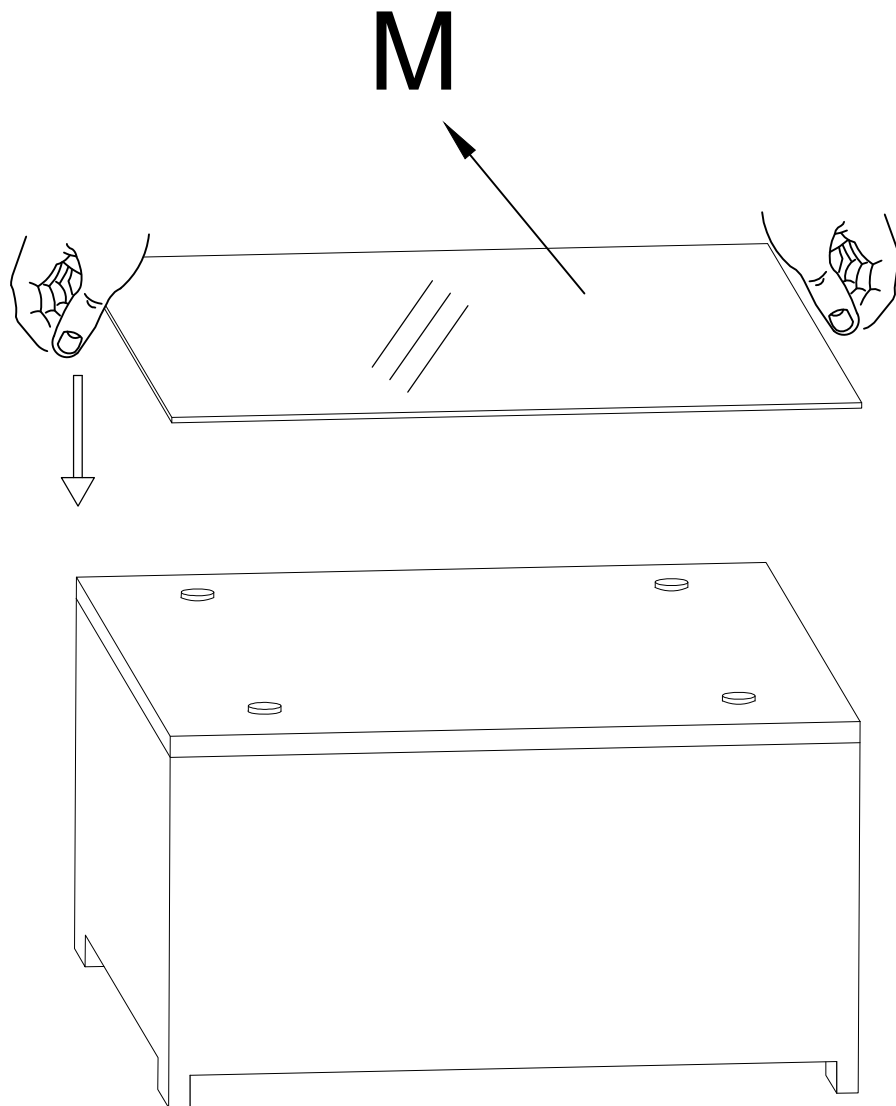
**Assemble 4 I-Shaped  
Foot Pad**



**8x**



## STEP 6



**WARNING:** Keep all small parts out of the reach of children.

**National Outdoor Living** Cranford, New Jersey 07016 • [nationaloutdoorliving.com](http://nationaloutdoorliving.com)

Item # SV42-SVYN708-7P Made in China Printed in China