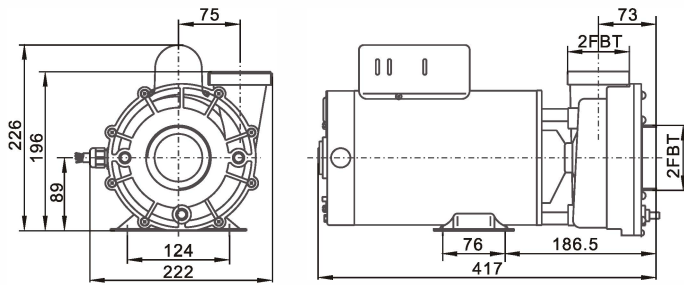
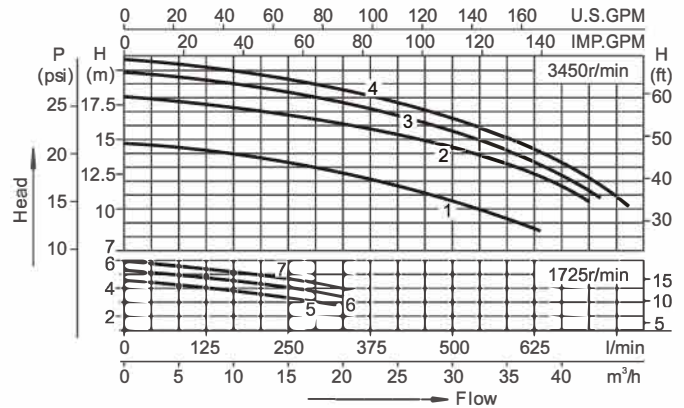


**安装外形图**  
Overall dimension



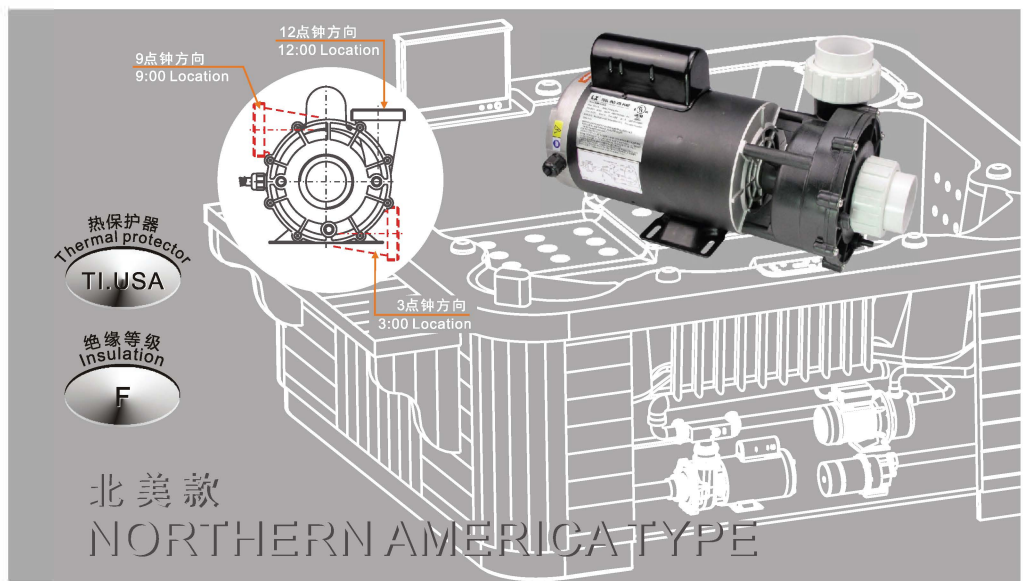
**性能曲线**  
Performance curves



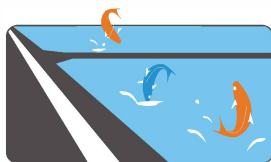
RECOGNIZED COMPONENT  
ETL LISTED  
Intertek  
3168033  
CONFORMS TO UL STD.1081  
CERTIFIED TO CSA STD. C22.2 No.108

UL LISTED  
3ZU7  
E342873

热保护器  
Thermal protector  
TI,USA  
绝缘等级  
Insulation  
F



北美款  
NORTHERN AMERICA TYPE



海水养殖循环过滤  
Mariculture circulation filter



浴缸水循环  
Recirculation of water in Bathtub pump



SPA池水循环  
Recirculation of water in SPA equipment

**工作条件**

介质温度: 5-50℃  
环境温度: < 50℃  
最大工作压力: 0.3MPa

**Working conditions**

Medium temperature: 5-50℃  
Environmental temperature: ≤50℃  
Max.working pressure: 0.3MPa

**技术参数列表**  
Technical parameter list

最大流量 Qmax (l/min)	最大扬程 Hmax (m)	曲线 Curves	电压/频率 V/Hz	功率Power				电流 Amps	接头尺寸 Fitting size (mm)	毛重 G.W (Kg)	包装尺码 Packing size (mm)
				P <sub>2</sub> KW	HP	P <sub>1</sub> KW	HP				
635	14.5	1	220-240/60	1.1	1.5	1.5	2.0	8.0	60.3or63	17.8	440×245×290
710	18	2	220-240/60	1.5	2.0	2.2	3.0	10	60.3or63	18.5	440×245×290
730	20.5	3	220-240/60	1.65	2.2	2.6	3.5	11	60.3or63	19	440×245×290
765	21	4	220-240/60	2.0	2.5	3.0	4.0	12	60.3or63	20.5	440×245×290
245	4	5	220-240/60	0.18	0.25	0.37	0.5	(Low speed)3.0	60.3or63	17.5	440×245×290
635	14.5	1		1.1	1.5	1.5	2.0	(High speed)8.0			
325	4.5	5	220-240/60	0.22	0.3	0.55	0.75	(Low speed)3.5	60.3or63	19.2	440×245×290
710	18	2		1.5	2.0	2.2	3.0	(High speed)10			
330	5.4	7	220-240/60	0.22	0.4	0.55	0.75	(Low speed)3.5	60.3or63	19.5	440×245×290
730	20.5	3		1.65	2.2	2.6	3.5	(High speed)11			
340	6	8	220-240/60	0.3	0.4	0.55	0.75	(Low speed)4.4	60.3or63	20.5	440×245×290
765	21	4		2.0	2.5	3.0	4.0	(High speed)12			

序号 NO.	名称 Name	序号 NO.	名称 Name
1	接头螺母 Tie-in Nut	9	活动口环 Activities Rings
2	接头 Tie	10	叶轮 Impeller
3	O形圈 O-Ring	11	机械密封 Mechanical Seal
4	放水螺塞 Drainage plug	12	泵壳 Pump Casing
5	O形圈 O-Ring	13	电机 Motor
6	十字槽盘头螺钉和平垫圈组合件 Cross recessed pan head screw and washer assemblies		
7	泵盖 Pump Cover		
8	O形圈 O-Ring		

