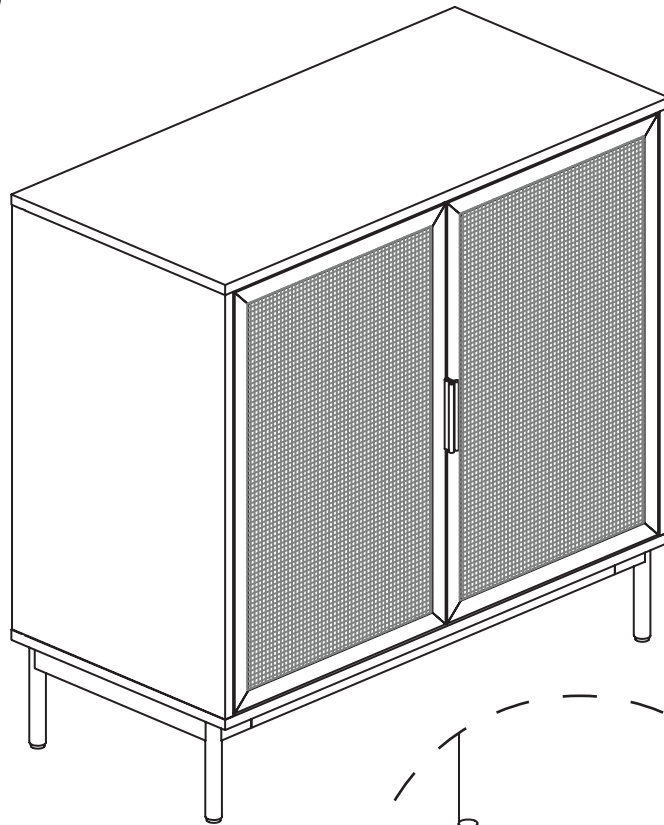


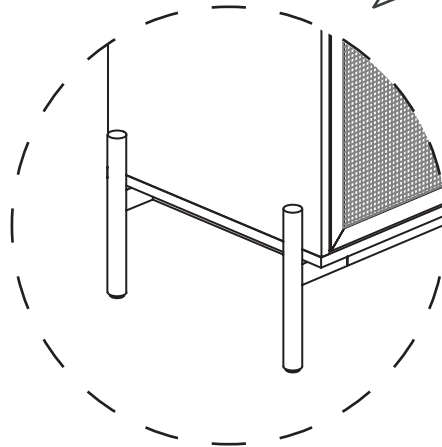
Let's build the

# Andrew Storage Cabinet

SKU 37806



**SEE PAGE 12:**  
Two leg/foot configuration options to choose from



**Scan me!**

Free Lifetime  
Warranty

nathan james

VN-24-0101

# Ok, let's get rolling

This should be easy, just follow our instructions and you will be back to Netflix in no time.

## Estimated time for assembly



90:00

## What you need

- Some bubbly or your preferred relaxant
- Use the packaging carton as a working surface to prevent product damage during assembly
- Phillips head screwdriver

Do not use a drill



## Weight Limitation



**Top Max. Capacity:** 100lbs  
**Shelf Max. Capacity:** 33lbs. per shelf (x5)

Toll-free at 1-866-619-1004  
Help@nathanjames.com  
Nathanjames.com/help

## What's included

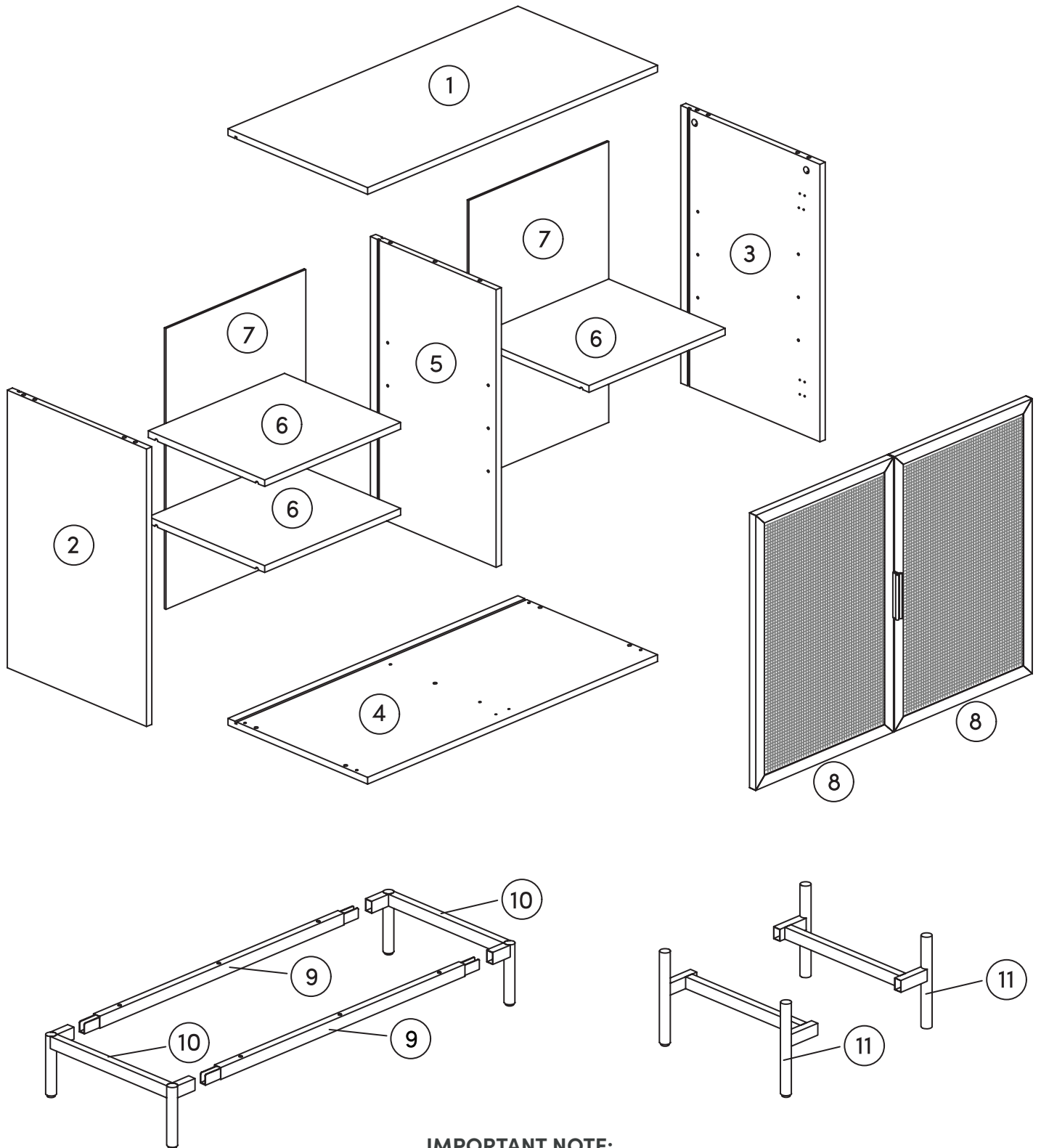
	Description	Qty
1	Top Panel	1
2	Left Side Panel	1
3	Right Side Panel	1
4	Bottom Panel	1
5	Middle panel	1
6	Shelf	3
7	Back panel	2
8	Doors	2
9	Top Metal Stretcher	2
10	Short Leg Frame	2
11	Long Leg Frame	2

Scan me!

Free Lifetime  
Warranty



# The goods



### IMPORTANT NOTE:

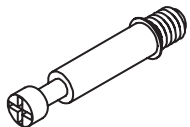
You will have extra leg components depending on the leg configuration(s) you choose during Step 6

## What's included

	Description	Qty
A	M6*35mm Cam Bolt	6
B	15 x 9.5 mm Cam Lock	6
C	M6*30 mm Wooden Dowel	10
D	M4*50 mm Screw	6
E	1/4"*12 mm Bolt	8
F	1/4 " *40 mm Bolt	6
G	Hinge	4
H	Ø4*14mm Screw	24
I	Magnetic Door Catch	2
J	Door Catch Plate	4
K	Ø3*14mm Screw	4
L	Shelf Support Pin	12
M	Allen Key	1
N	Handle	2
O	Ø3*12mm Screw	8
P	Ø3.5*12mm Screw	1
Q	Ø3.5*35mm Screw	1
R	Metal Bracket (for Anti-Tip Kit)	2
S	Plastic Tether (for Anti-Tip Kit)	1
T	M6*30mm Wall Anchor	1

# The goods

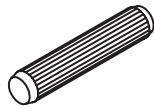
A



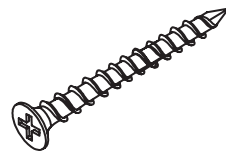
B



C



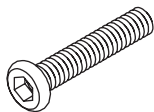
D



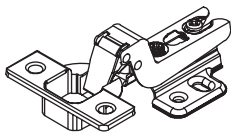
E



F



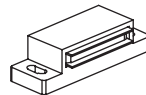
G



H



I



J



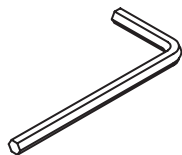
K



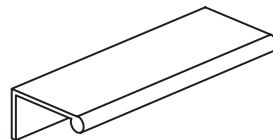
L



M



N



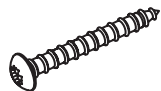
O



P



Q



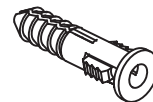
R



S



T



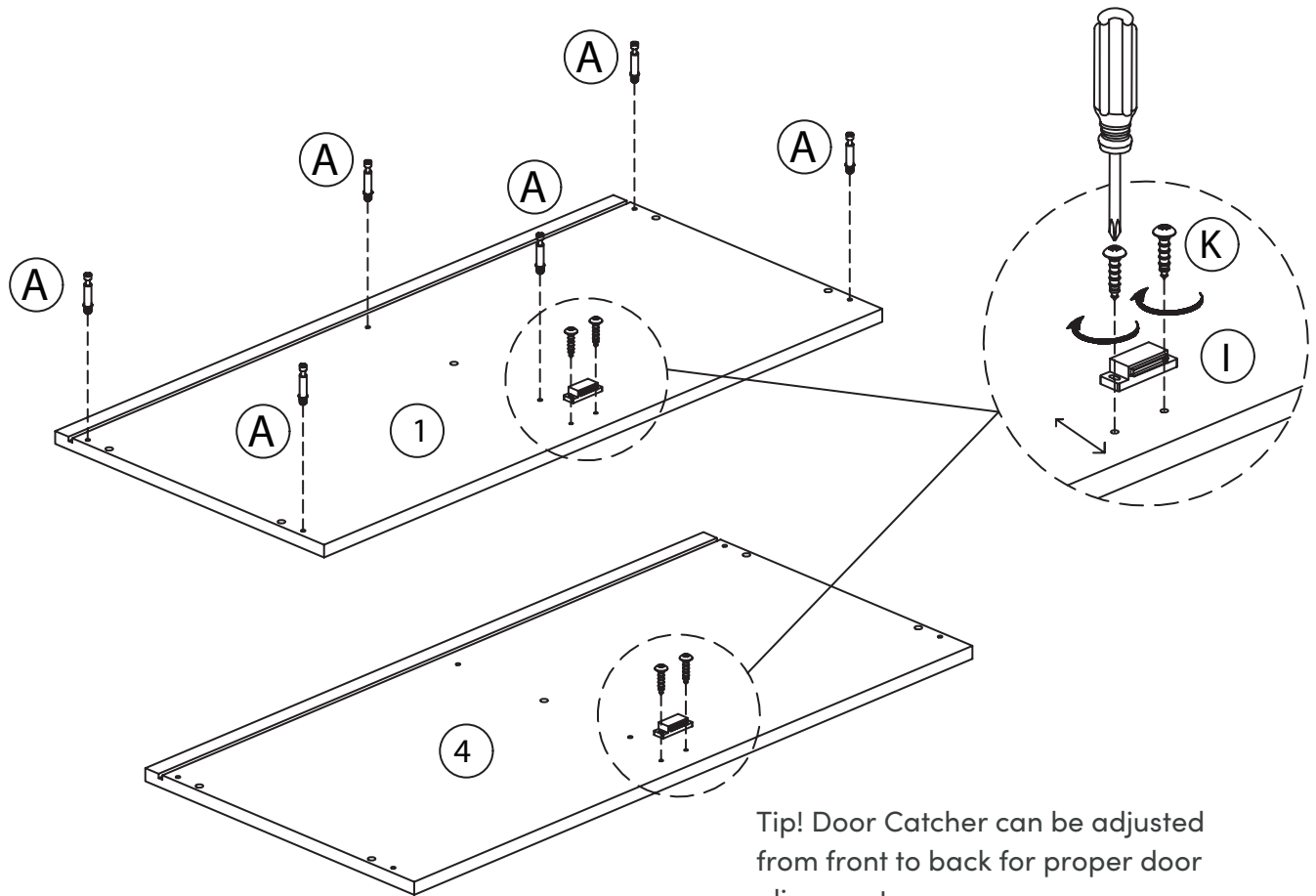
# Step 1

A  X 6pcs

K  X 4pcs

I  X 2pcs

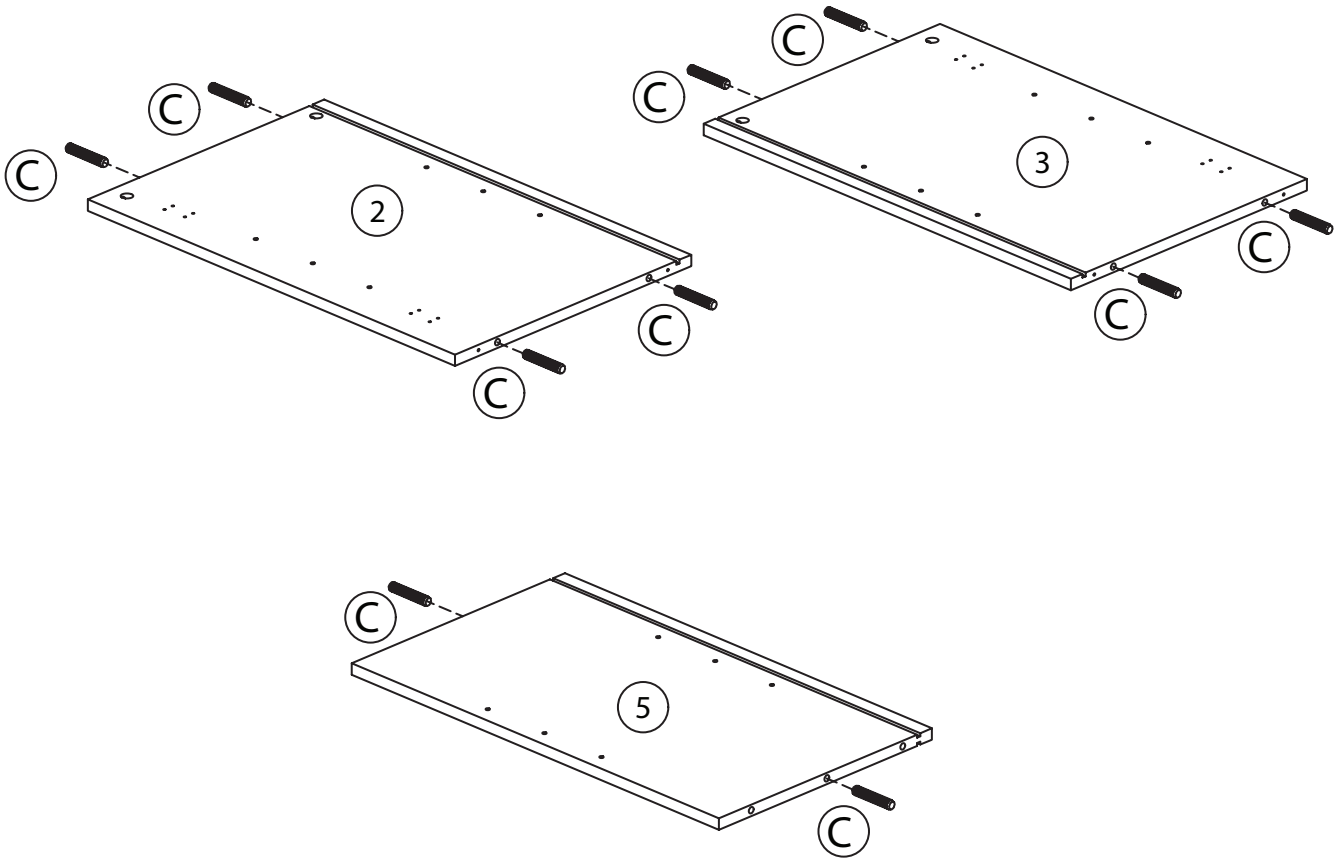
Let's begin! Start by grabbing the Top Panel (1) and the Bottom Panel (4) and laying them on a soft surface. Use the  $\text{Ø}3 \times 14\text{mm}$  Screws (K) to screw the Magnetic Door Catch (I) onto both pieces. Next screw the M6\*35mm Cam Bolts (A) into the corresponding holes.



# Step 2

C  X 10pcs

Following the image below, insert the M6\*30 mm Wooden Dowels (C) into its corresponding holes on the Left Side Panel (2), the Right Side Panel (3), and the Middle Panel (5).



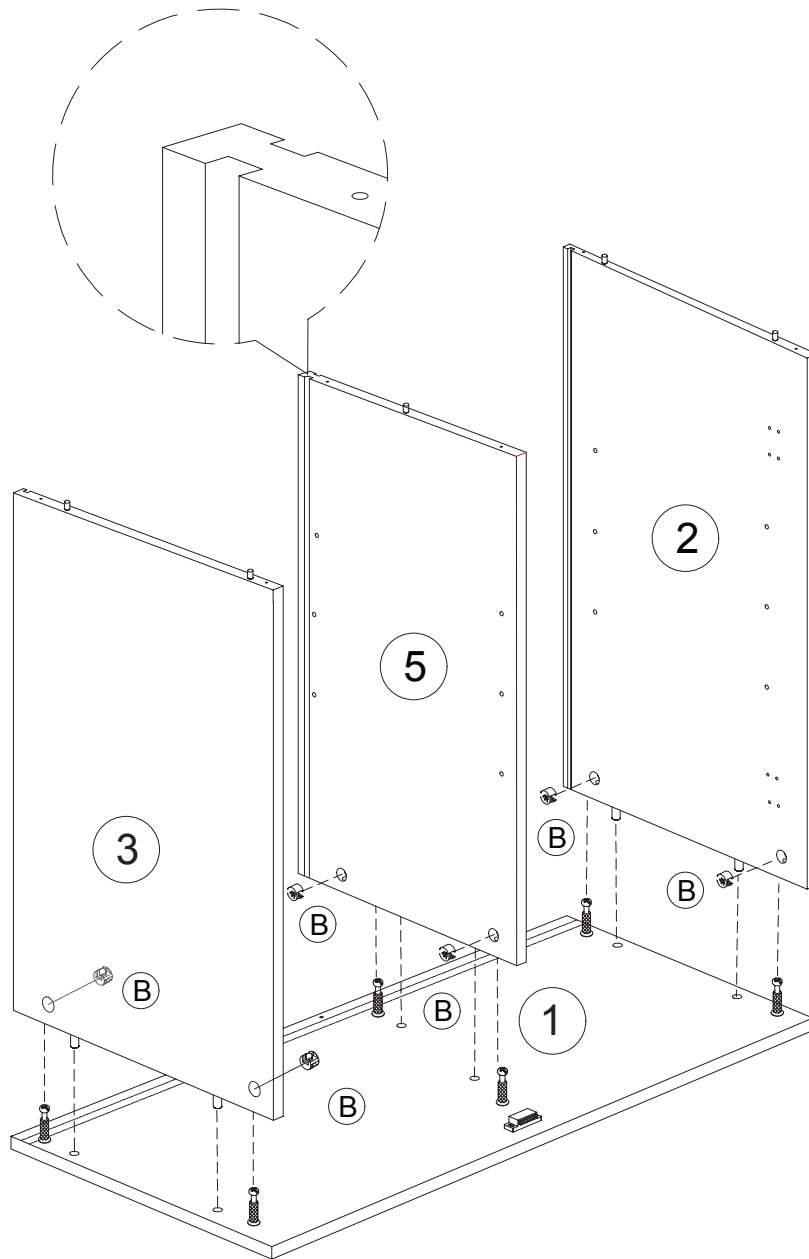
# Step 3

B



X 6pcs

With the Top Panel (1) laying flat on the ground, slide the Right Side Panel (3), the Middle Panel (5) and the Left Side Panel (2) into place then secure with the 15 x 9.5 mm Cam Locks (B).



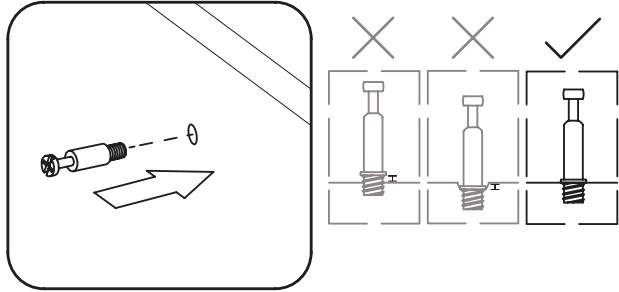
# How to use cam locks

Did you know?

Cam locks are used to join two panels together, usually the edge of one to the flat side of another.

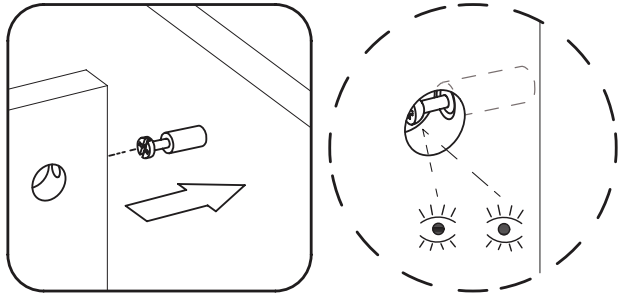
First, your cam bolt (or cam pin) will need to be properly inserted into the flat side of the board.

Important Note: Only tighten the cam bolt until it is secure. Do not over-tighten.



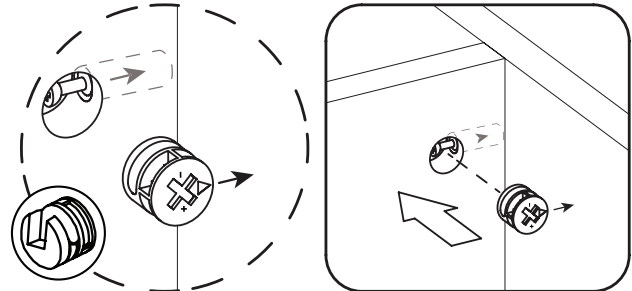
Next, you will fit the proper hole on the edge of the associated joining panel over the cam bolt.

Important Note: When installed properly, the head of the cam bolt will be visible through the larger hole on the side of the joining panel.



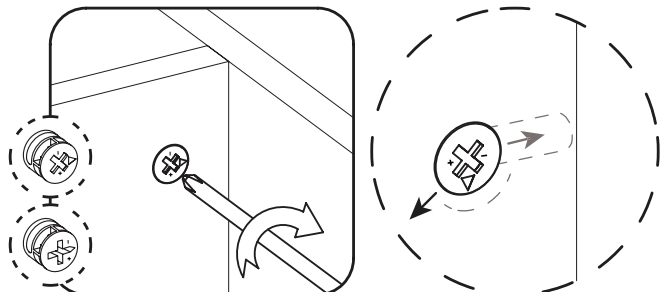
Next, you will notice the cam lock has a “C” shaped back. Commonly, an arrow on the front of the cam lock points in the same direction as the open section on back.

Using these as your cue, insert the cam lock into the large hole so the opening of the “C” fits over the head of the cam bolt.



Using a screwdriver, you will turn the cam lock until it stops, usually between 130° or 180°. You will feel the panels pulling closer until they are secured.

Important Note: Only turn the cam lock until the panels are fully engaged & feel secure. Turning too far may lead to hardware failure.



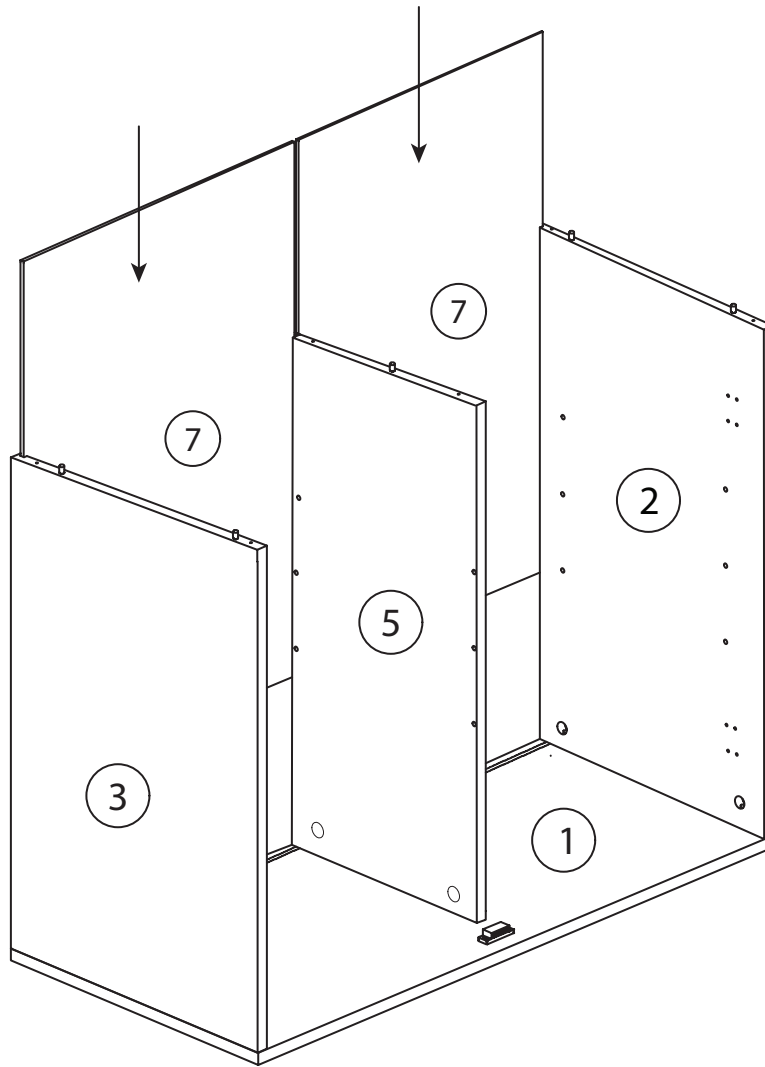
## Still having issues?

If a cam lock seems to be spinning in place or is not “catching” or pulling the panels together as expected, first remove the cam lock & try again while making sure that everything is properly positioned & oriented.

If you are still having issues getting things working as expected, first remove the cam lock then unscrew the cam bolt slightly (less than 1 complete turn) to see if that helps with the alignment of the cam lock & bolt .

# Step 4

Carefully unfold the Back Panel (7) and slide it into place on the assembly unit you have been working on.



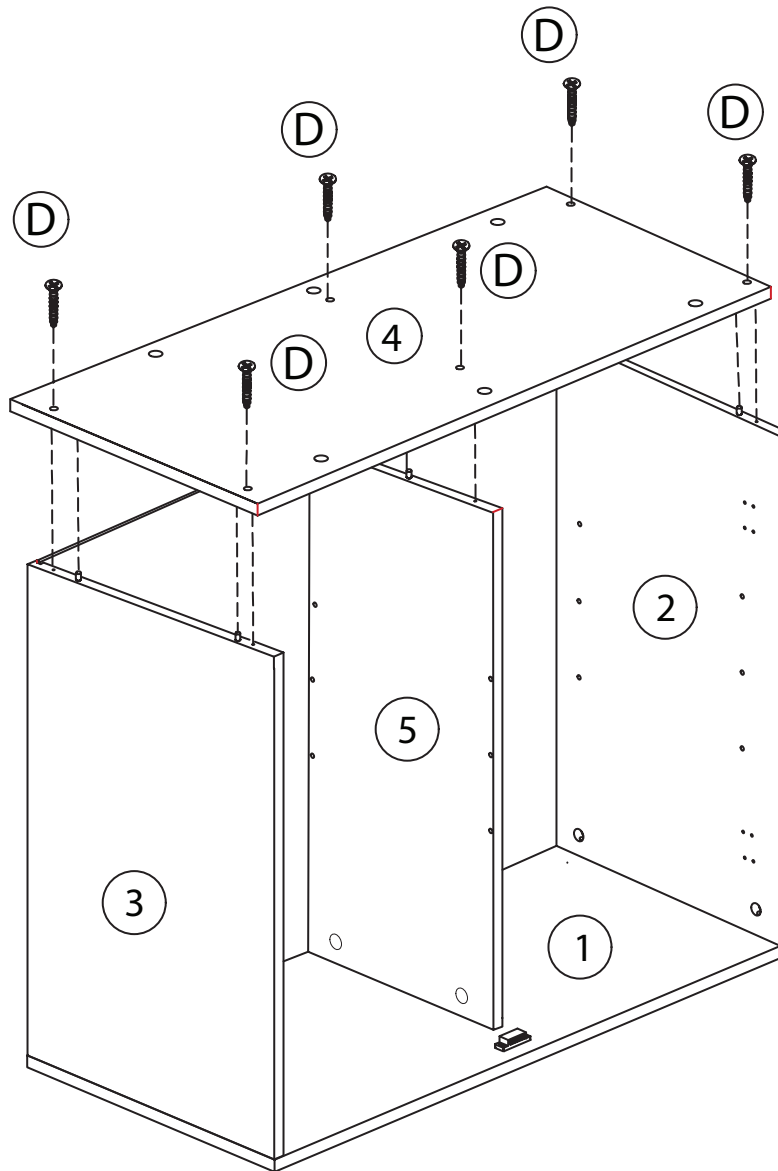
# Step 5

D



X 6pcs

We're making progress! Grab the Bottom Panel (4) and lay it on top of your assembly. Use the M4\*50 mm Screws (D) to secure it into place.



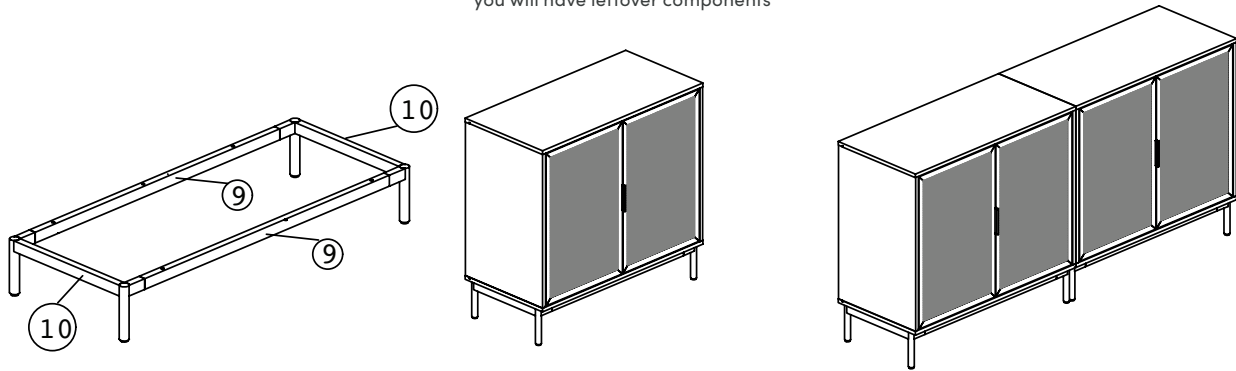
# Step 6

## Install the legs according to your need

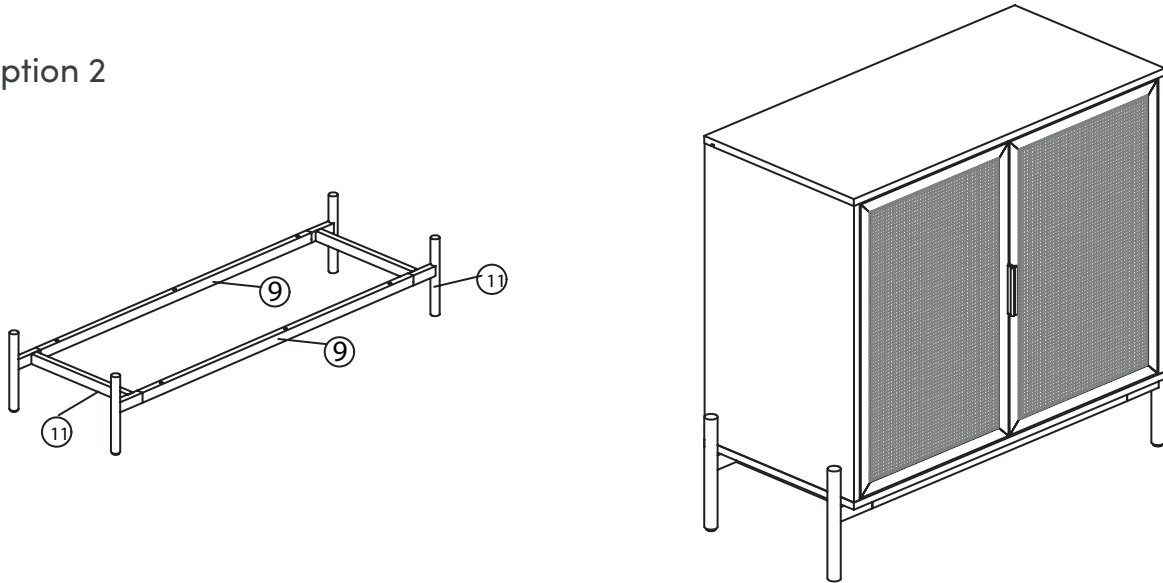
### Option 1

\*\*\*use the guide below to determine which components you will need to configure your unit(s) to your preferred style / setting\*\*\*

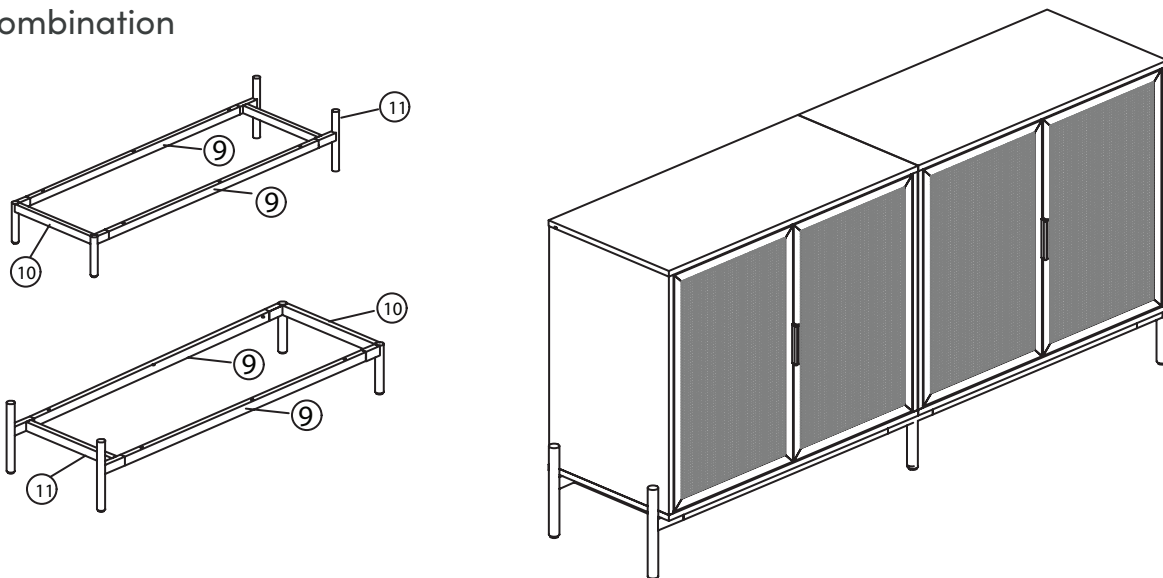
"you will have leftover components"



### Option 2

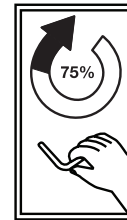


### Combination

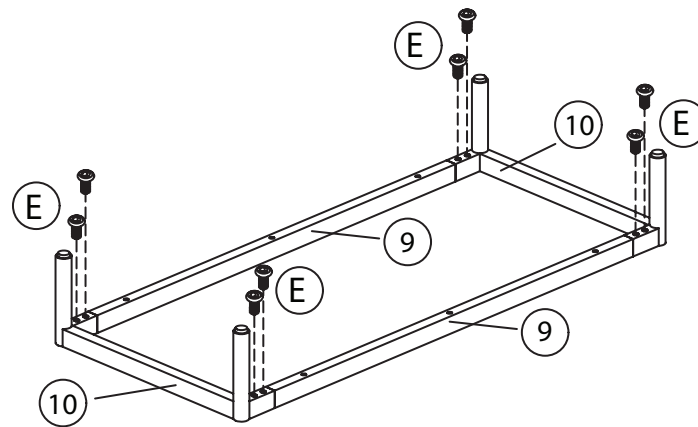
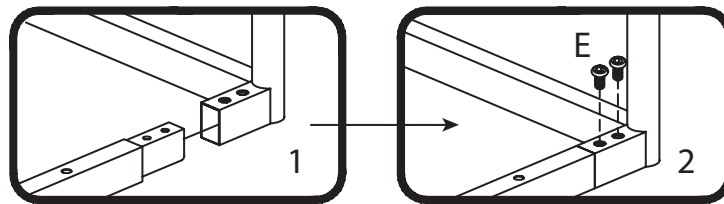


# Step 6 (cont.)

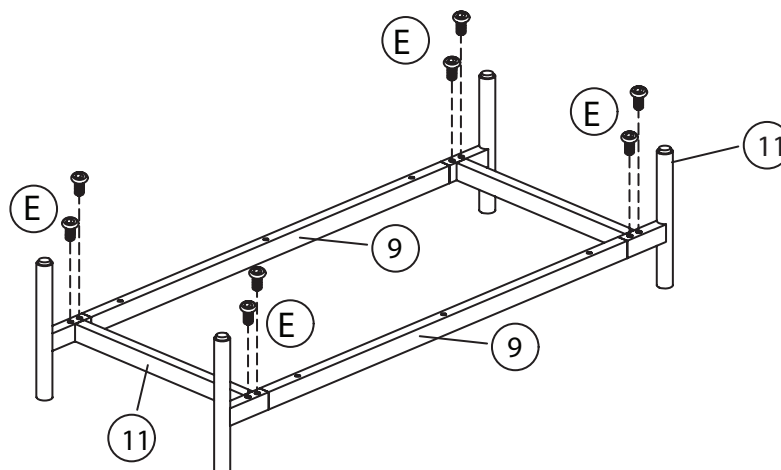
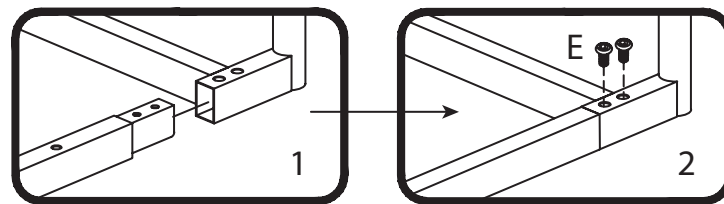
E  X 8pcs



Option 1

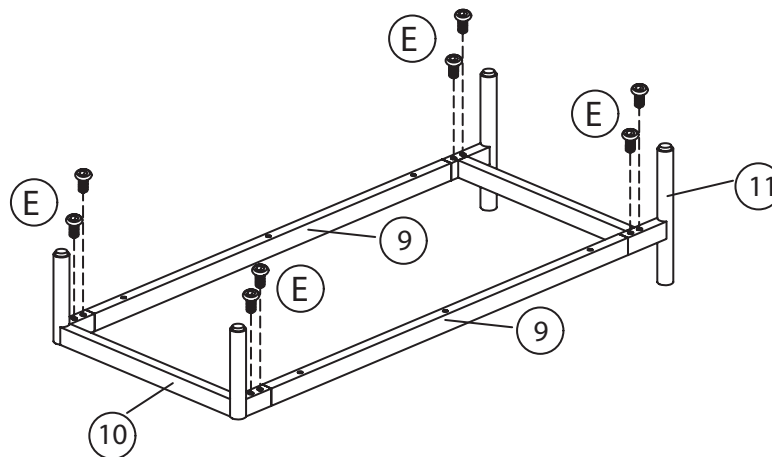
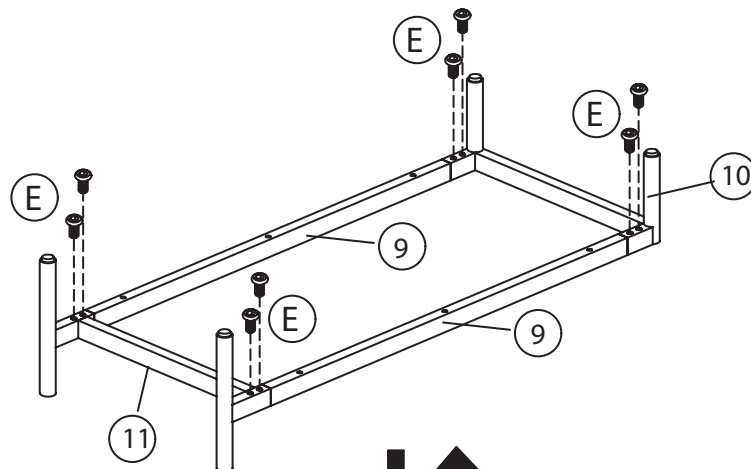
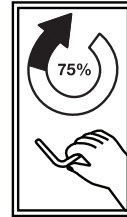
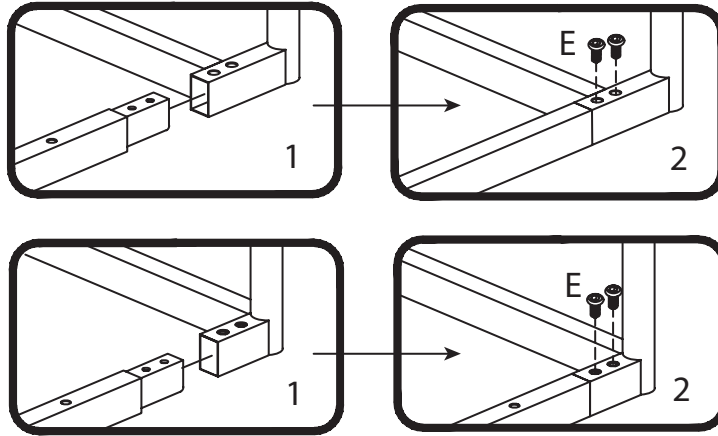


Option 2



# Step 6 (cont.)

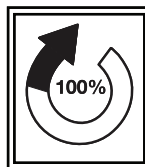
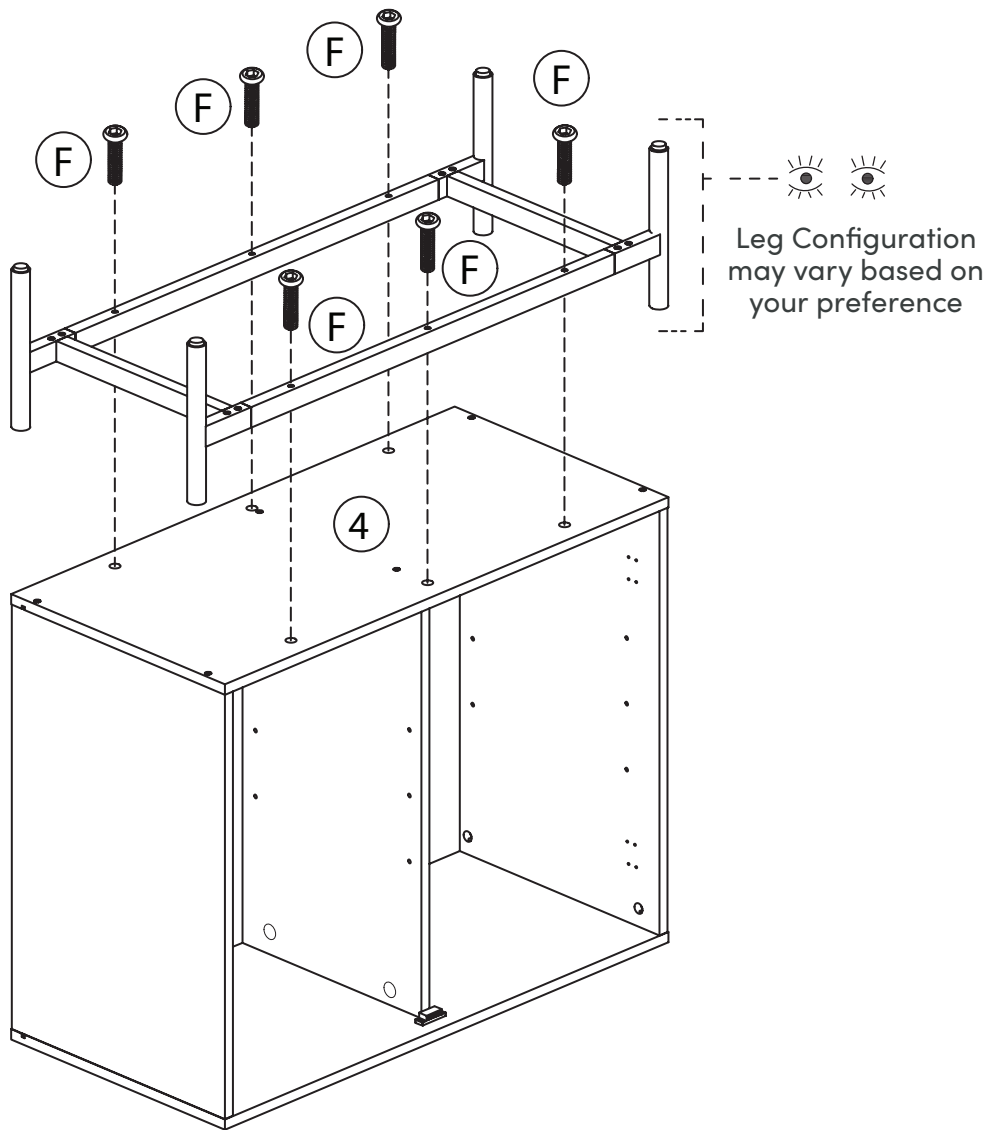
Option 3



# Step 7

F  X 6pcs

Now it's time to attach the legs! Use the 1/4 "x40 mm Bolts (F) to secure the two parts together, tightly!



Once all hardware is lined up in their respective holes, be sure to tighten all fasteners to 100%, including those from Step 6

# Step 8

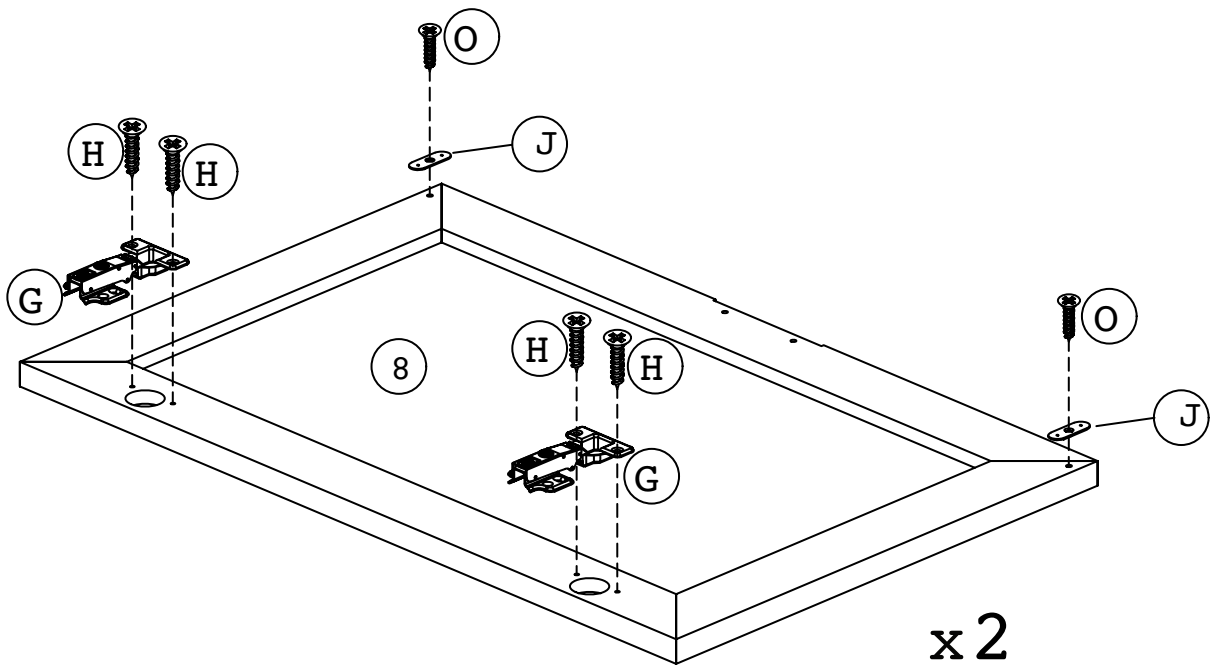
G  X 4pcs

J  X 4pcs

H  X 8pcs



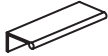
O  X 4pcs

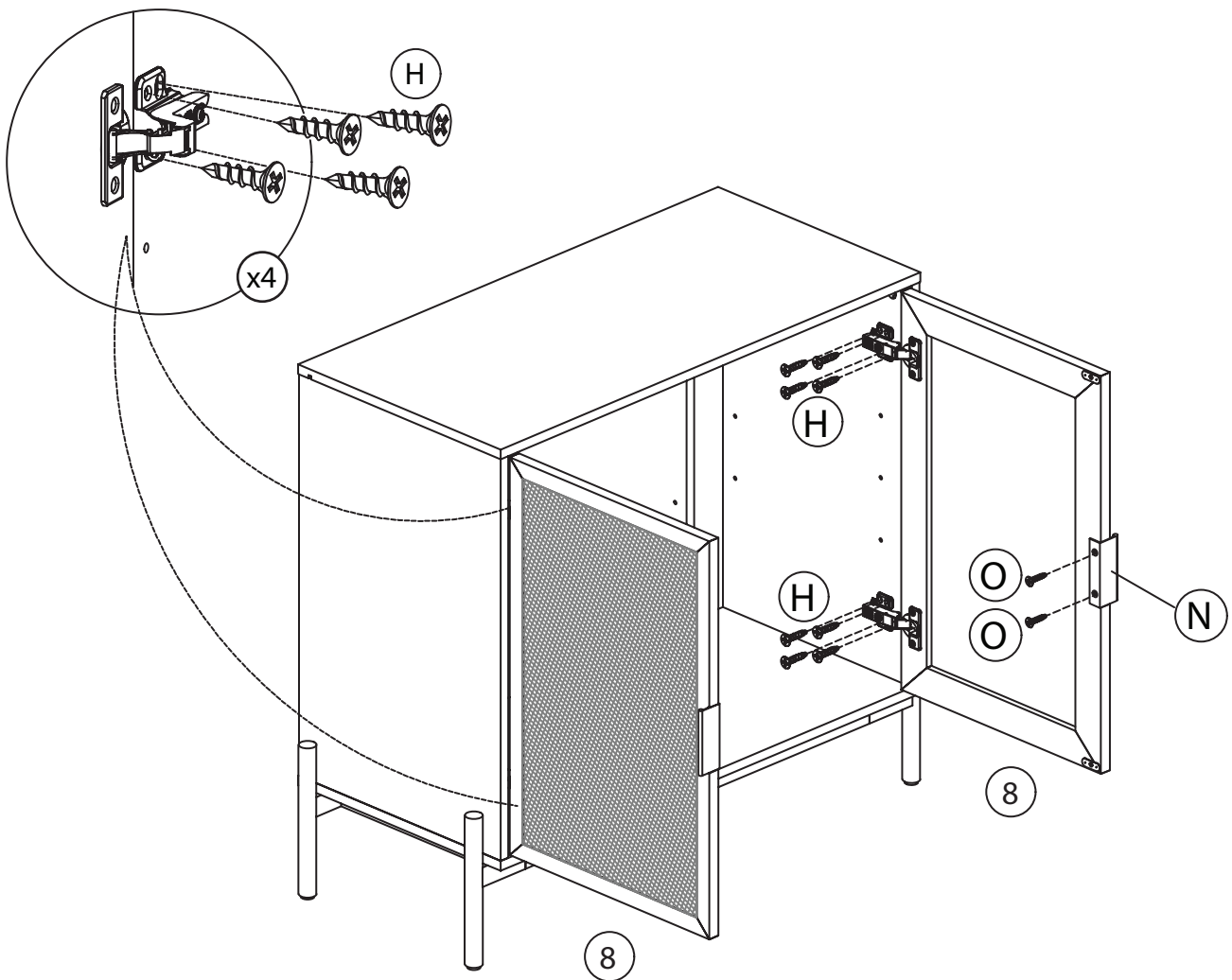
Grab the Doors (8) and attach the Hinge (G) using the  $\text{\O}4*14\text{mm}$  Screws (H) to the two corners with the larger holes. Next, attach the Door Catch Plate (J) to the other two corners using the  $\text{\O}3*12\text{mm}$  Screws (O).



# Step 9

Carefully flip the unit over (grab a friend if you need help!) Grab both of the Doors (8) and use the  $\text{Ø}4*14\text{mm}$  Screws (H) to secure them into place. Once complete, grab the Handle (N) and secure them into place using the  $\text{Ø}3*12\text{mm}$  Screws (O).

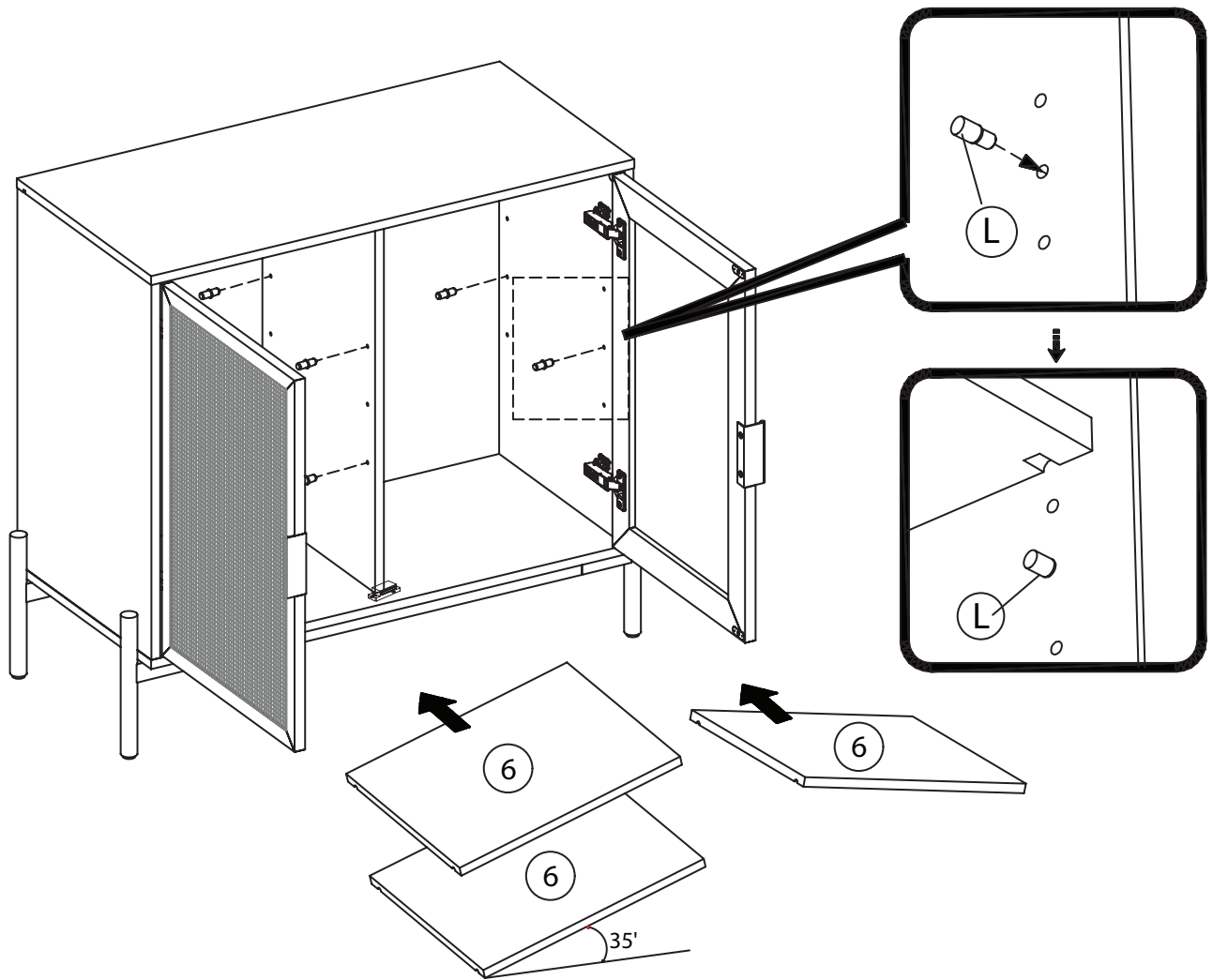
- H  X 16pcs    O  X 4pcs  
N  X 2pcs



# Step 10






L  X 12pcs

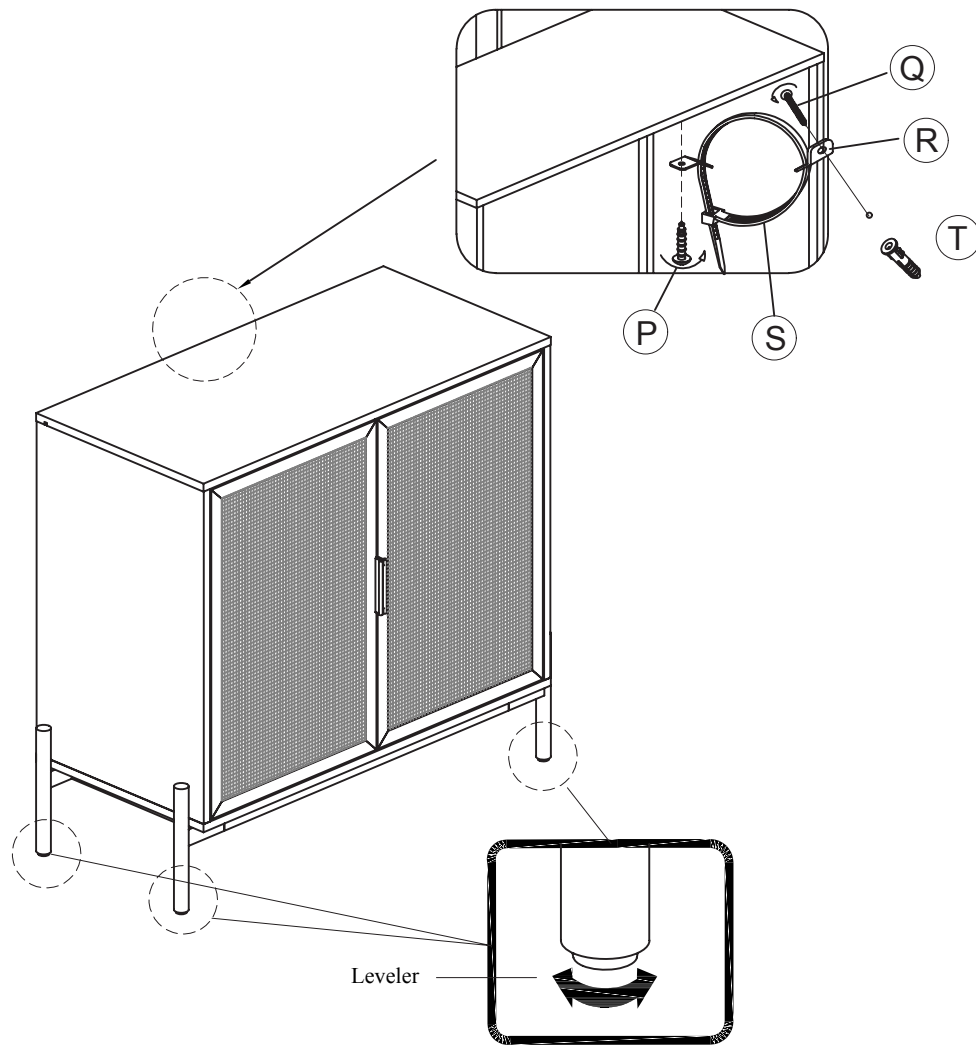
We're getting closer to the finish line! Insert the Shelf Support Pins (L) where you want your shelves to rest. Next, place the shelves (6) right on top of the Shelf Support Pins (L), you can tilt it to get it into place.



# Step 11

Our favorite step! Because it's the last step! Take your beautiful cabinet and secure it to the wall by looping the Plastic Tether (S) through the Metal Bracket (R) and screwing it into the unit using the Ø3.5\*12mm Screw (P) and the wall using the Ø3.5\*35mm Screw (Q) and M6\*30mm Wall Anchor (T).

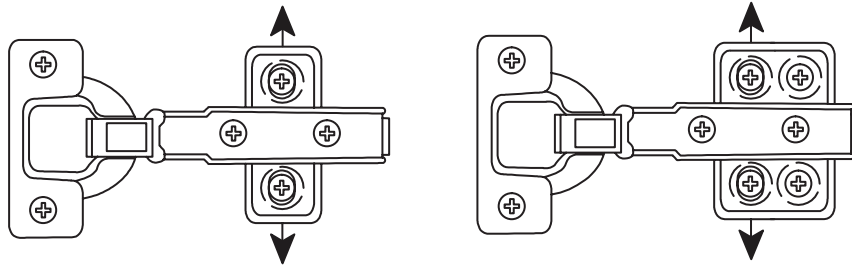
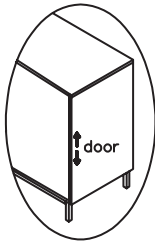
- |   |   |       |   |  |       |   |   |        |
|---|---|-------|---|--|-------|---|---|--------|
| P |  | X 1pc | Q |  | X 1pc | R |  | X 2pcs |
| S |  | X 1pc | T |  | X 1pc |   |   |        |



# Is your cabinet door looking crooked or unevenly spaced?

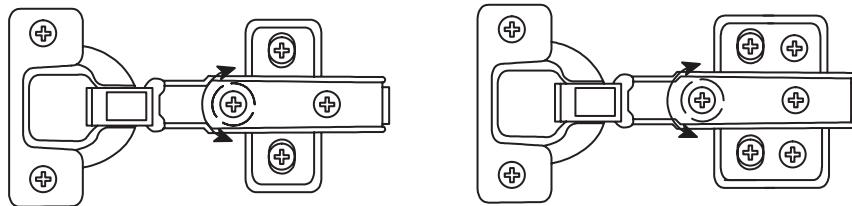
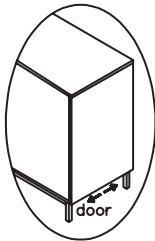
Then you've come to the right place. Follow the illustrations below to get your cabinet door aligned and ready for action.

**If your door is too low or too high...**



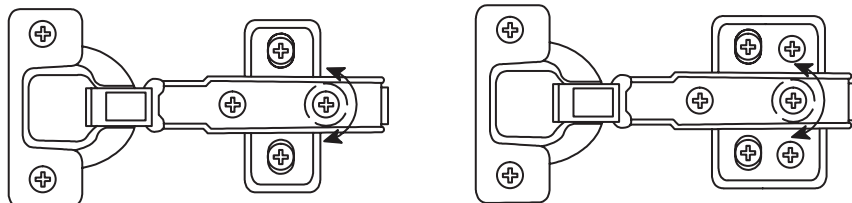
Loosen the height screws, then move the door up or down to make it level.

**If the space between your doors is off...**



Loosen the side-to-side screws, then screw counter-clockwise to make the gap wider or clockwise to close any gaps.

**If you need to adjust the depth of the doors...**

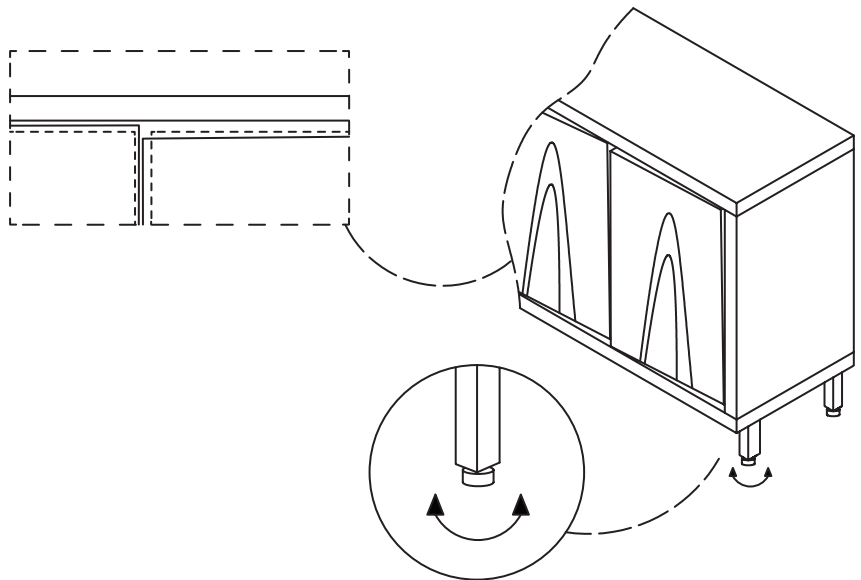


Adjust the in-and-out screws until the door is aligned with the side of the cabinet.

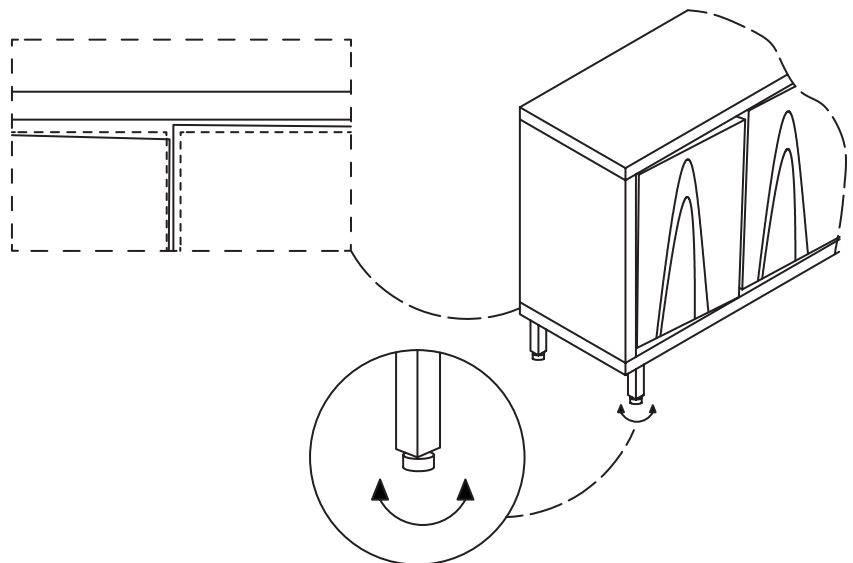
# Is your cabinet door looking crooked or unevenly spaced? (Cont.)

If you're still having trouble lining everything up, your next step should be to adjust the leveling glides to square up the cabinet and doors and make sure things are level. Follow the instructions below:

If the right door appears to be hanging low, you can adjust the adjustable leveler on the front right until the door is better aligned.



If the left door appears to be hanging low, you can adjust the adjustable leveler on the front left until the door is better aligned.



# No heartburn, when we handle the return

Give us a call **1-866-619-1004** or shoot us a message at **help@nathanjames.com** we will issue you a free replacement with **zero hassle**.

## Our way



Give us a call

---



Replacement

---



You

## Their way



Re-package item

---



Schedule pick up

---



Track package

---



Replacement

---



You

We really don't want you to go through the hassle of re-packaging your item and sending it back, because let's be honest...nobody has time for that.

# Safety first, fun later

We want your product to last as long as possible, so we recommend that you tighten the screws 2 weeks after assembly and for added safety check the tightness of all screws every 2 months.

For proper care and treatment, please check our website at [NathanJames.com/products](http://NathanJames.com/products)

## Safe use of this product starts with you.

Use this product responsibly with the primary concern for your safety. Follow assembly instructions carefully and inspect product upon receipt and each use.

Nathan James and its parent companies cannot be held legally responsible for any injuries or death resulted from failure to follow instructions or improper use of this product.

## Do not modify the structure of this product in any way.

Our products have been tested to meet specific safety measures as they were originally intended to be sold. Any modifications will present the risk of creating significant safety issues which NJ will not be responsible for.

## Proper use

- DO NOT** use for commercial purposes
- DO NOT** frolic on storage cabinet
- DO NOT** use storage cabinet as foot stool
- DO NOT** leave spilled liquid on storage cabinet
- DO NOT** use storage cabinet if damaged
- DO NOT** make temporary repairs
- DO NOT** use outdoors

# We are only in business if you're happy

For starters, thanks for being you.

☎ Toll-free at 1-866-619-1004

✉ Help@nathanjames.com

🌐 NathanJames.com/help

We do our best to ensure your furniture arrives without any problems, but occasionally mistakes happen—as humans we are imperfect beings. In the event that a part is damaged or missing, we will be more than happy to provide you with replacement part(s) for free.

## Warranty

This product comes with a lifetime warranty from the date of purchase. Please use your phone to scan the QR code to register your product or visit <https://goo.gl/i9dk3q>



### Did we do alright? Please spread the love!

If you are happy with your product, tell your friends and family about us or even better leave us a review online. Spreading the word gives us the opportunity to make more people happy and keep our prices low for your next purchase.

*Brooklyn Burdon*

Founder, Nathan James