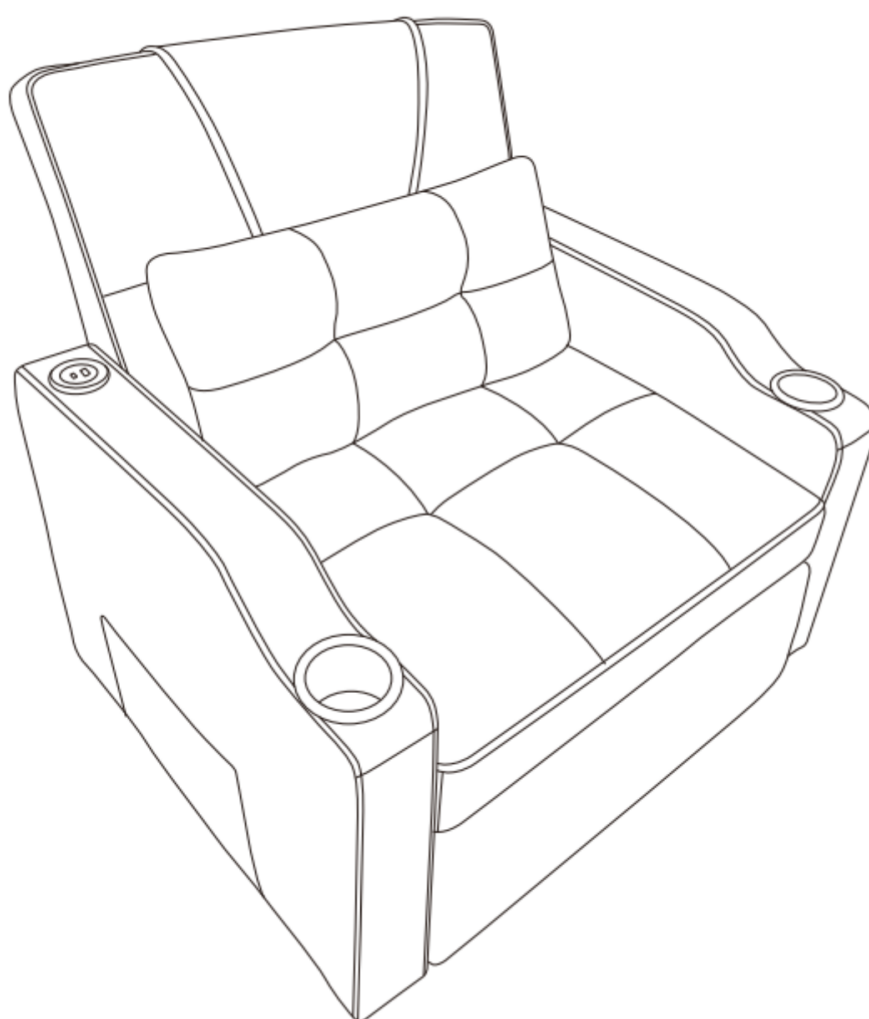


# sofa

Product ID. 7AAF5



Scan for Support  
[support@garvee.com](mailto:support@garvee.com)

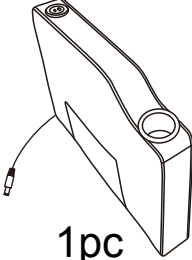
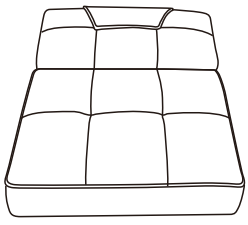
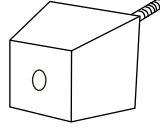
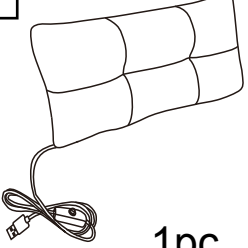
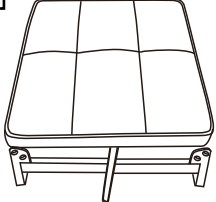
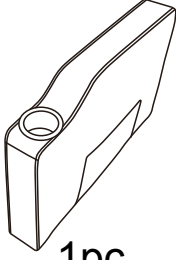
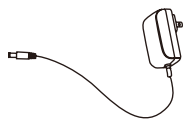


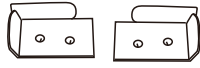


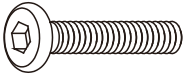





Distributed by  
**GARVEE**.com

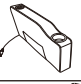
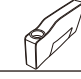
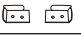


V260401X0SZ

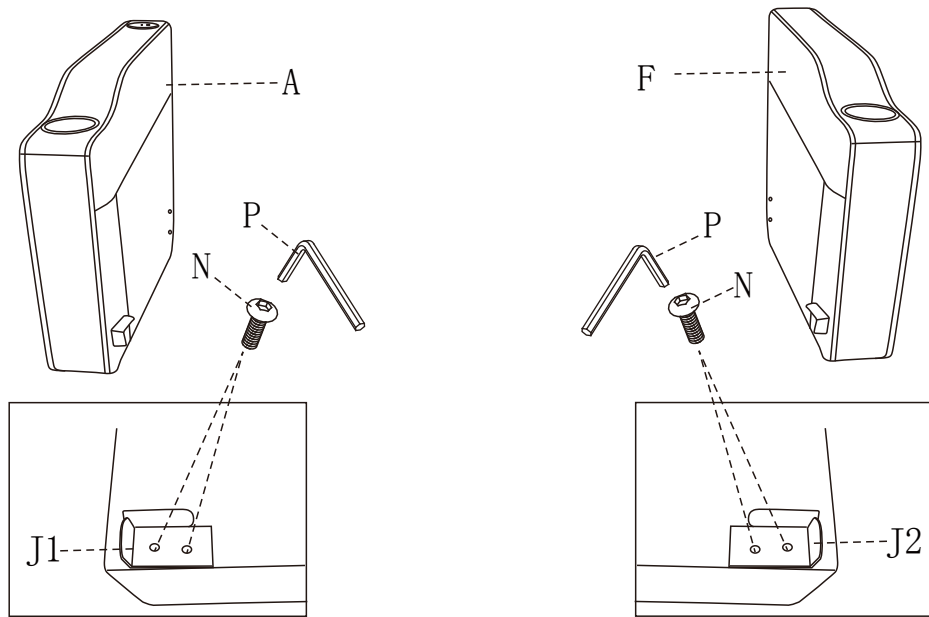
# Assembly Instructions

## Parts List






<b>A</b>  1pc	<b>B</b>  1pc	<b>C</b>  4pcs	<b>D</b>  1pc
<b>E</b>  1pc	<b>F</b>  1pc	<b>G</b>  1pc	<b>H</b>  1pc
<b>I</b>  1pc	<b>J</b>  2pcs	<b>K</b>  4pcs	<b>L</b>  4pcs
<b>M</b>  M8*75mm 4pcs	<b>N</b>  M6*20mm 24pcs	<b>O</b>  4pcs	<b>P</b>  1pc

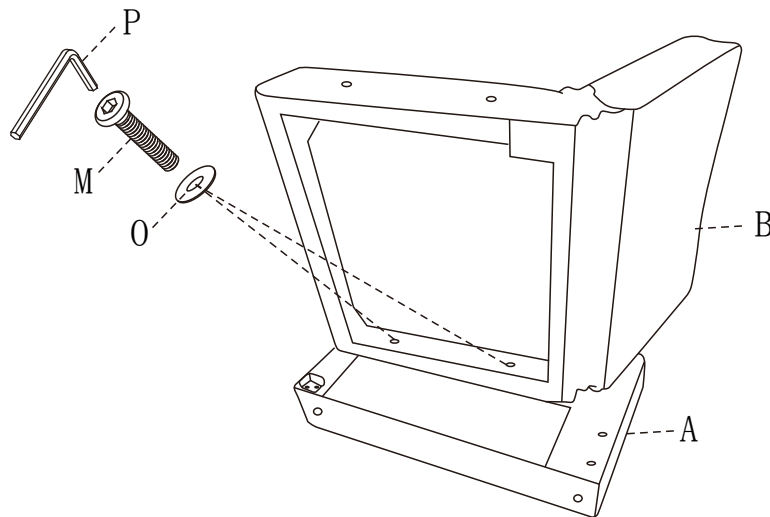
**Step 1** Please follow the accessories direction in the figure for installation.

A		1
F		1
J		2
N		4
P		1

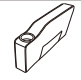
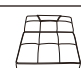
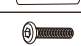




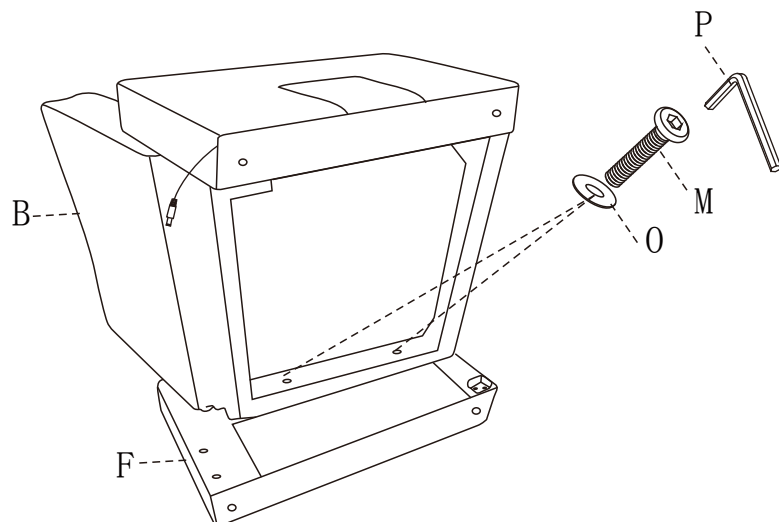
**Step 2** Put the screws into the holes one by one. Please do not lock any one of the screws before they are all aligned. After aligning them all and then tighten them with an electric screwdriver.

A		1
B		1
M		2
O		2
P		1







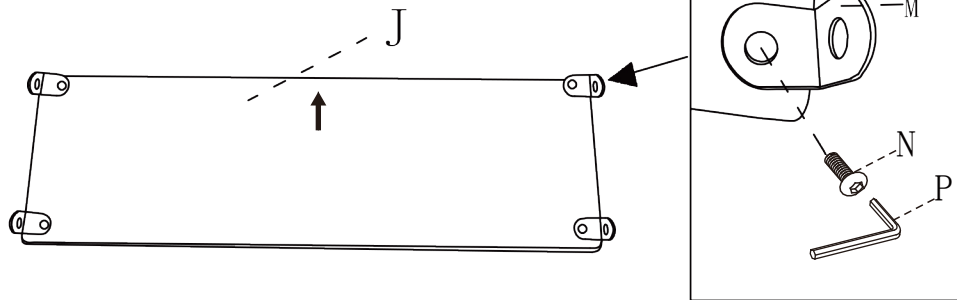
**Step 3**

F		1
B		1
M		2
O		2
P		1





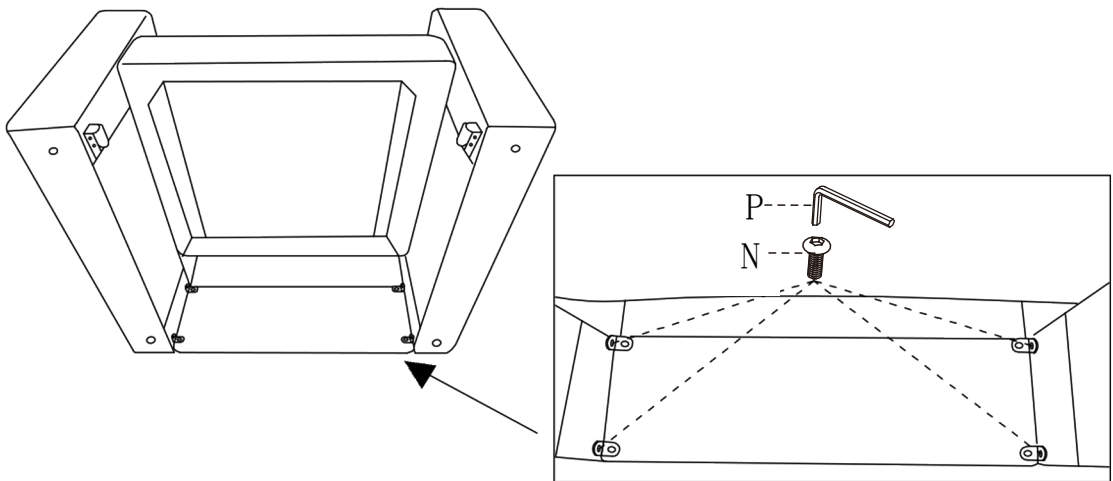
### Step 4

H		1
K		4
N		4
P		1

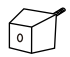


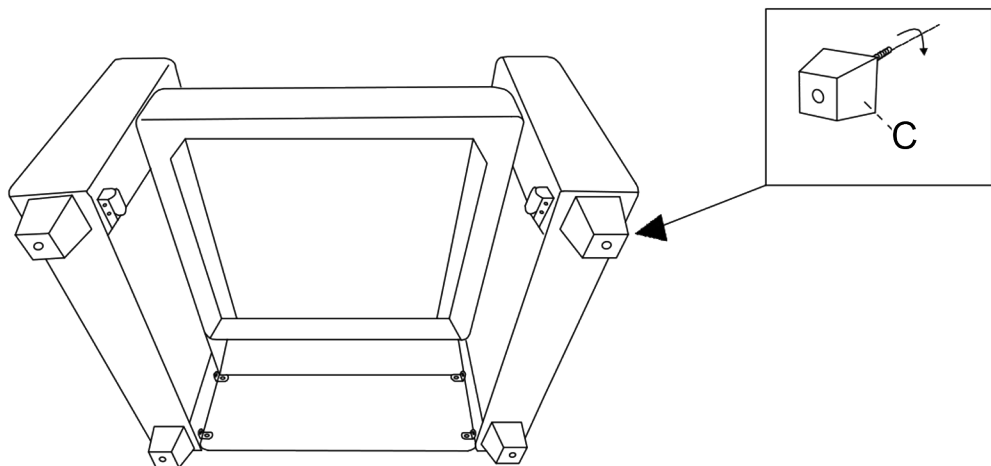
### Step 5

N		4
P		1

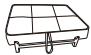





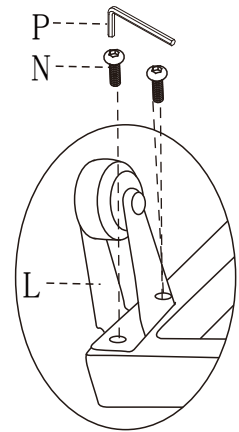
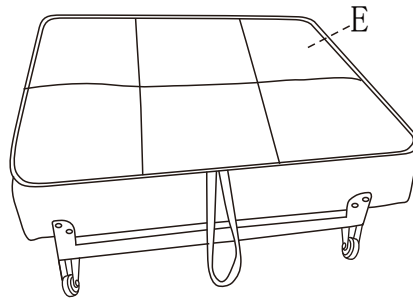
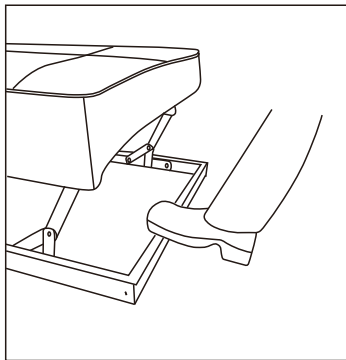
### Step 6

C		4
---	---	---

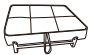
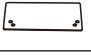




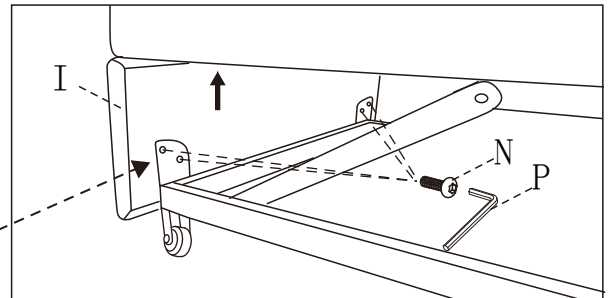
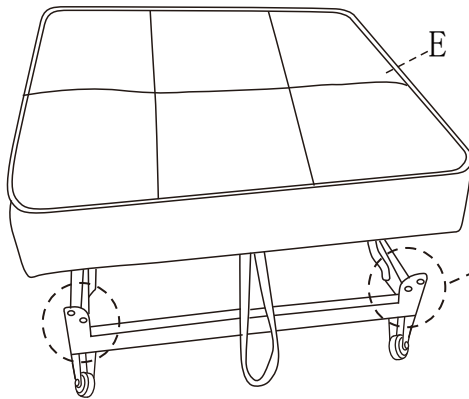
**Step 7** Please follow the accessories direction in the figure for installation.

E		1
L		4
N		8
P		1

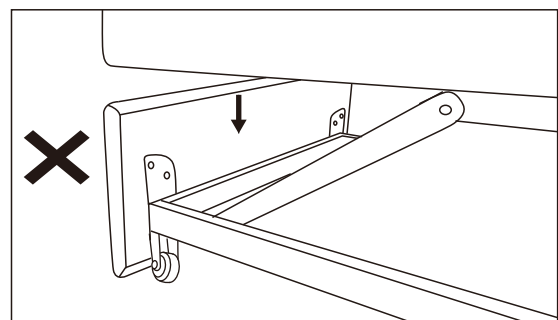
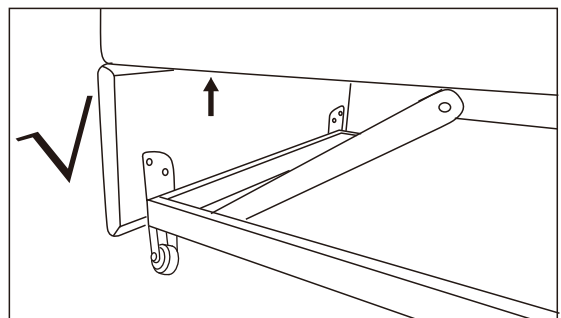
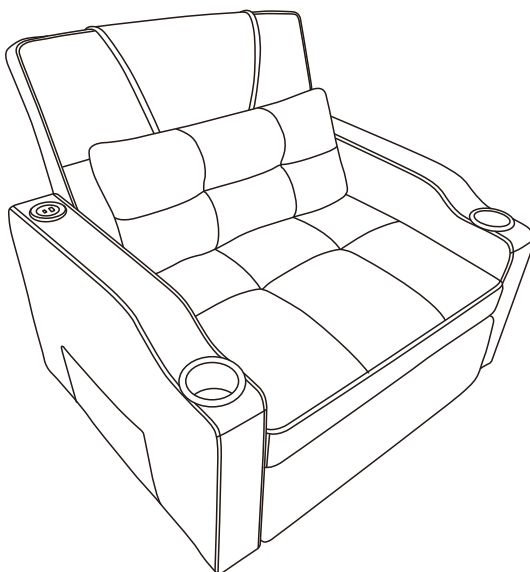


**Step 8** Put the screws into the holes one by one. Please do not lock any one of the screws before they are all aligned. After aligning them all and then tighten them with an electric screwdriver.

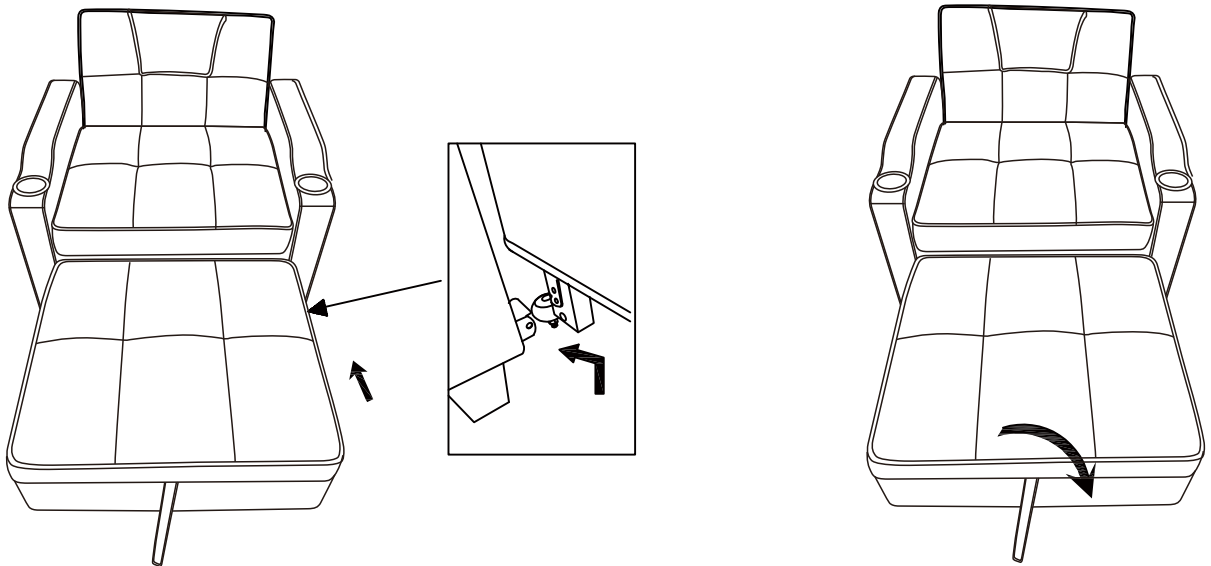
E		1
I		1
N		4
P		1



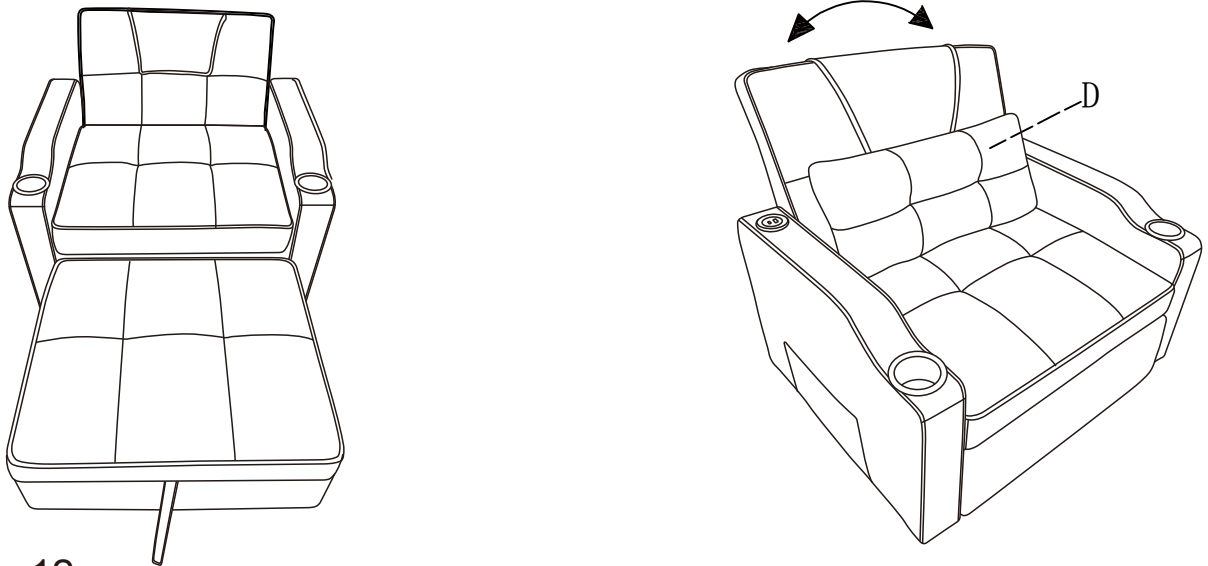
**Step 9**



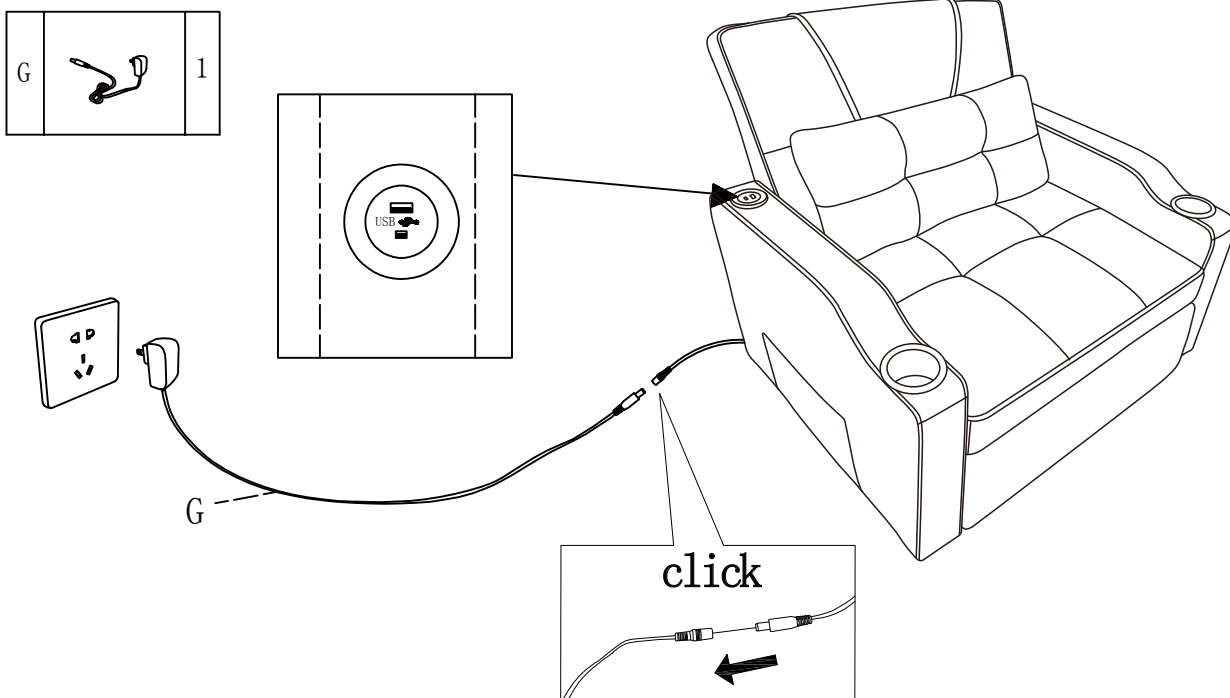
### Step 10



### Step 11

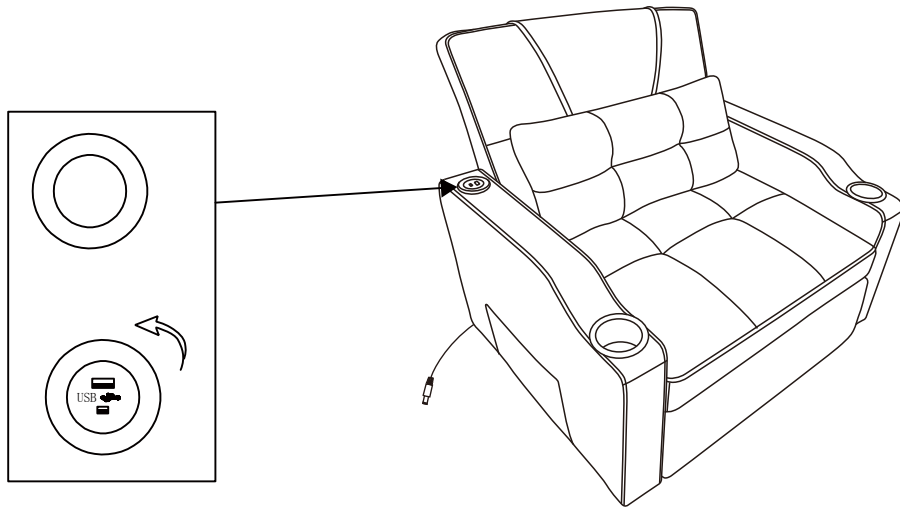


### Step 12

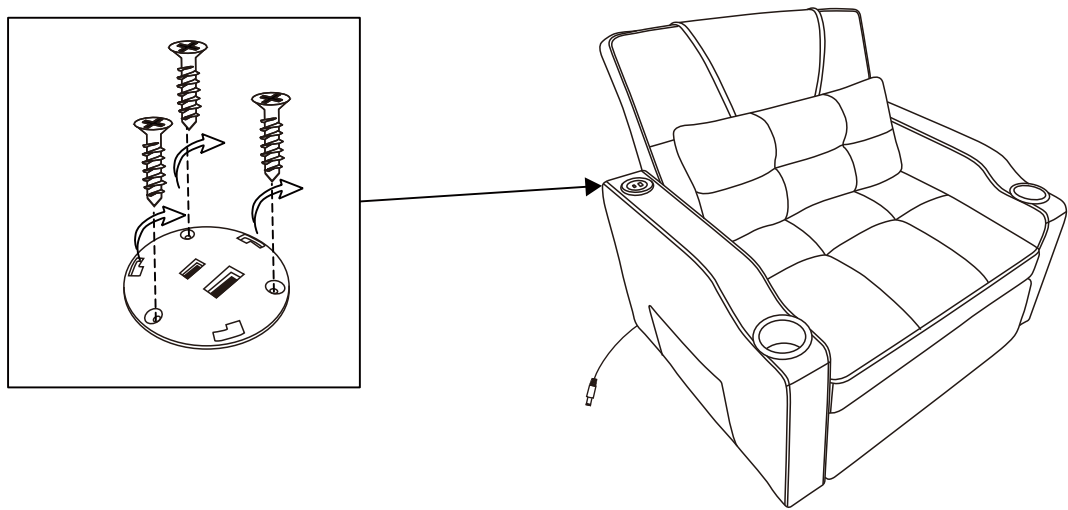


# HOW TO REPLACE USB?

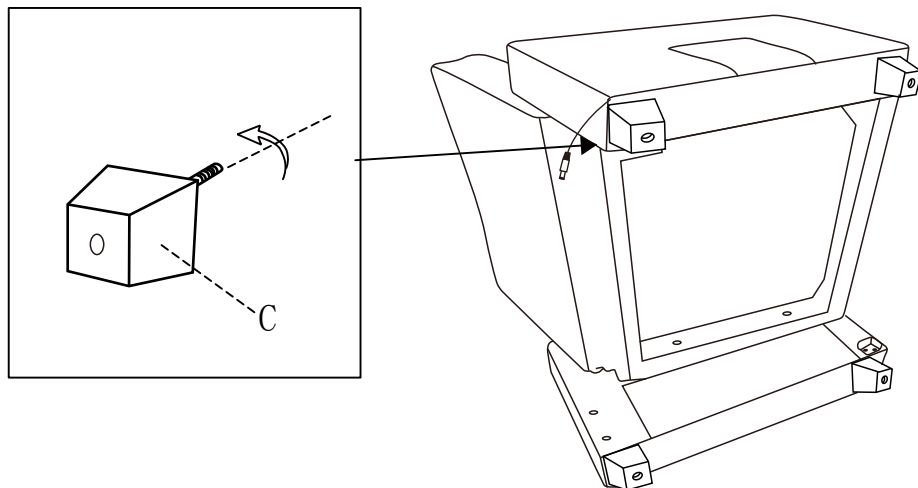
Step 1



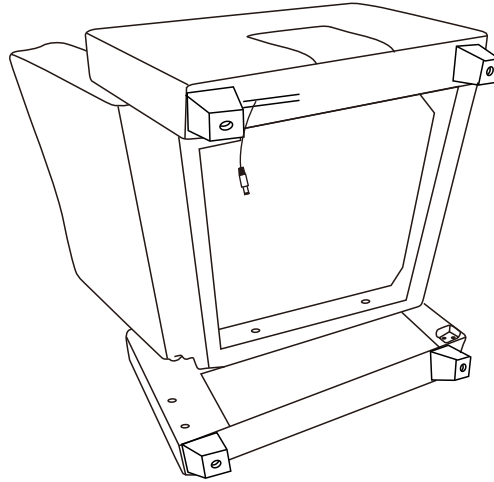
Step 2



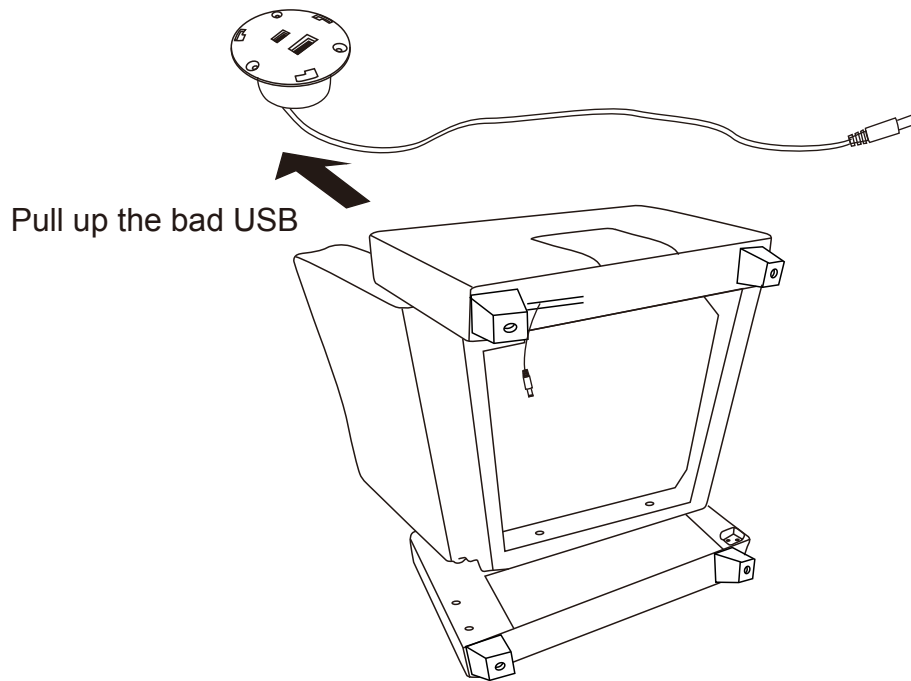
Step 3



Step 4

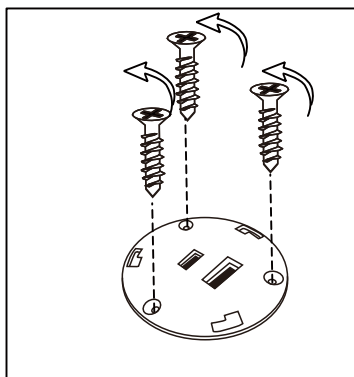


Step 5

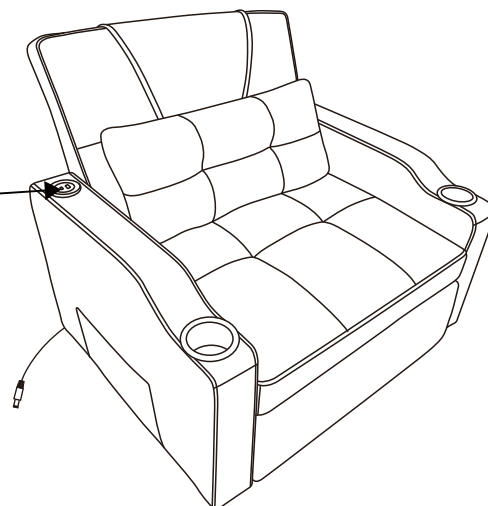


Pull up the bad USB

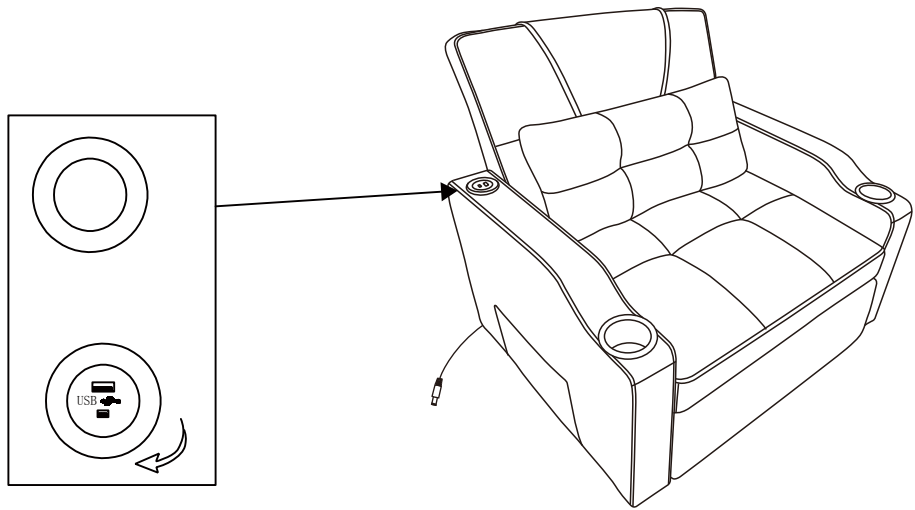
Step 6



Put in the new USB and tighten the screws

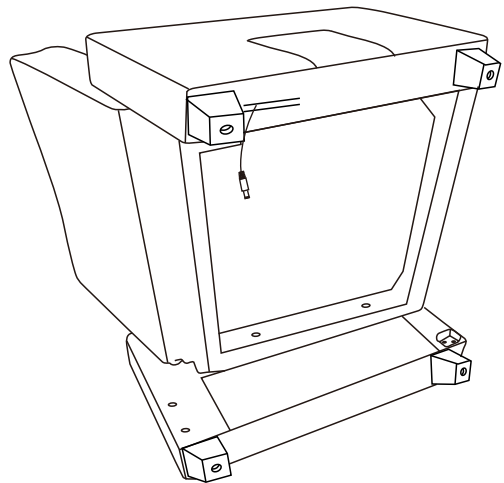


Step 7



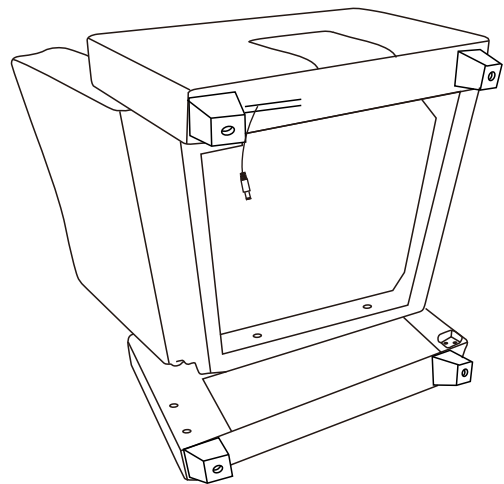
Step 8

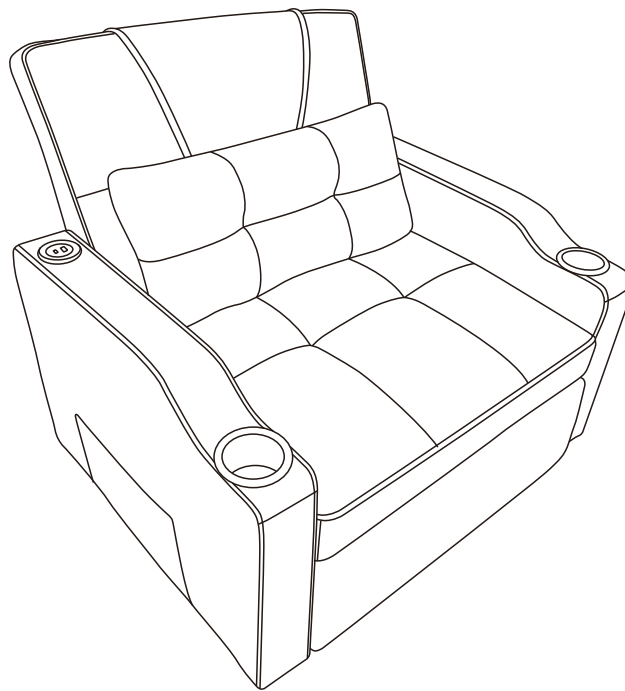
Find the USB cable and pull it out



Step 9

Final installation of sofa feet





## GUARANTEE

This sofa chair is backed by 12 MONTHS product warranty.

For questions, assistance, or support, please contact the Customer Service by e-mail with your order number and problem details.

We will send you further information about the solution.

## Limited Liability & Warning

**No Unauthorized Modifications/Repairs:** Do not modify or attempt to repair this product unless you are an authorized technician. Unauthorized actions may create hazards and void all warranties

**Misuse & Non-Compliance:** We are not liable for any injury, damage, or loss resulting from:

- (a) misuse, abuse, neglect, or improper installation;
- (b) failure to follow instructions or safety precautions;
- (c) use of unauthorized parts/accessories;
- (d) unauthorized modifications/repairs;
- (e) accidents, natural disasters, or external causes.

If you doubt any step of installation or operation, stop using the product and contact authorized service or the customer support.

## LIMITACIÓN DE RESPONSABILIDAD Y ADVERTENCIA

**Modificaciones o Reparaciones No Autorizadas:** NO modifique ni intente reparar este producto a menos que sea un técnico autorizado. Las acciones no autorizadas pueden generar riesgos y anularán todas las garantías.

**Uso Indebido e Incumplimiento:** No asumimos responsabilidad alguna por lesiones, daños o pérdidas que resulten de:

- (a) uso indebido, abuso, negligencia o instalación incorrecta;
- (b) incumplimiento de las instrucciones o precauciones de seguridad;
- (c) uso de piezas o accesorios no autorizados;
- (d) modificaciones o reparaciones no autorizadas;
- (e) accidentes, desastres naturales o causas externas.

Si tiene dudas sobre algún paso de la instalación o el funcionamiento, deje de usar el producto y póngase en contacto con el servicio técnico autorizado o con atención al cliente.

**GARVEE**  
support@garvee.com