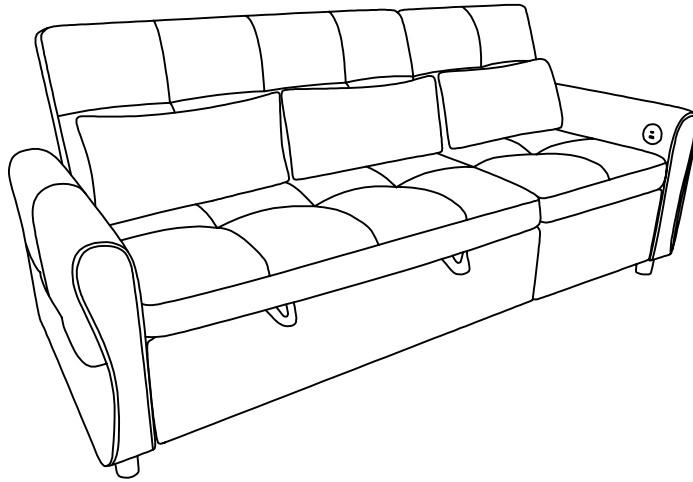
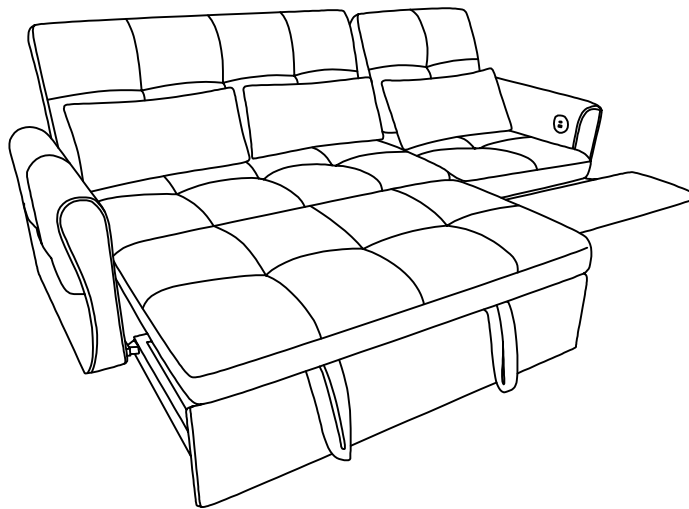


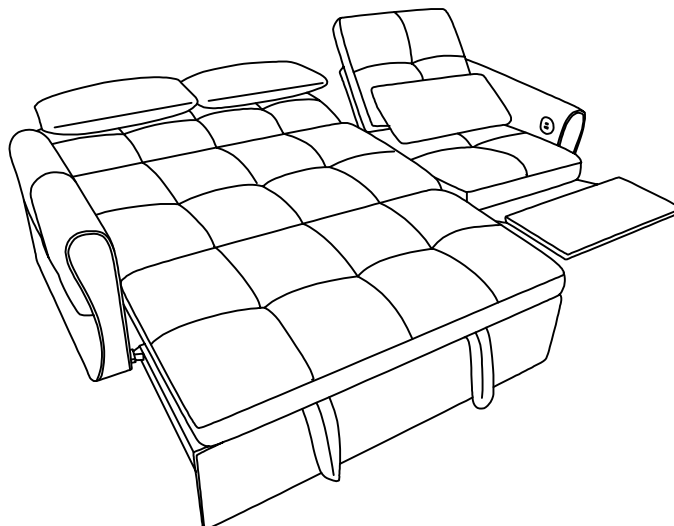
ASSEMBLY INSTRUCTION



Version 1

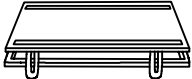
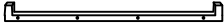

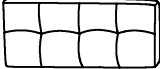

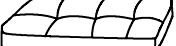
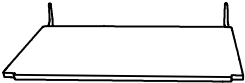

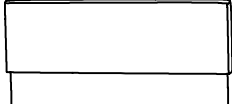


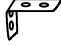
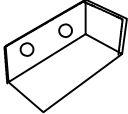
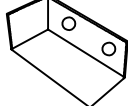












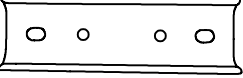



Version 2




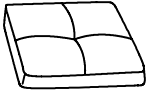

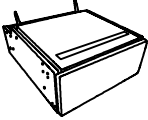
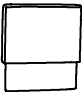
Version 3

N719P285150- COMPONENT LIST



NO.	DRAWING	QTY	DESCRIPTION
A		1	Sofa bed frame
C		1	Sofa bed front supporting block
D		1	Sofa bed front baffle
E		1	Two-seat backrest cushion
G		1	Two-seat seat cushion
I		1	Sofa bed seat cushion
BL		1	Two-seat frame
B		1	Two-seat rear baffle
CL		1	Two-seat backrest
X		1	Power supply
①		2	Hinges
②		4	Metal brackets
③-L		1	Left wheel retainer
③-R		1	Right wheel retainer

N O .	DRAWIN G	Q TY	DE SC RIPTIO N
④		8	Screws M6*15MM
⑤		24	Screws M6*20MM
⑥		7	Screws M6*30MM
⑦		4	Screws M6*55MM
⑧		4	Screws M8*60MM
⑨		24	Screws M5*15MM
⑩		1	Wrench M6
⊗		1	Wrench M8
⊗		1	Cross wrench
⊗		2	Male conical connectors
⊗		2	Female conical connectors
⊗		6	Wheels
Z		4	Legs
Y		4	Gaskets

N719P285151- COMPONENT LIST

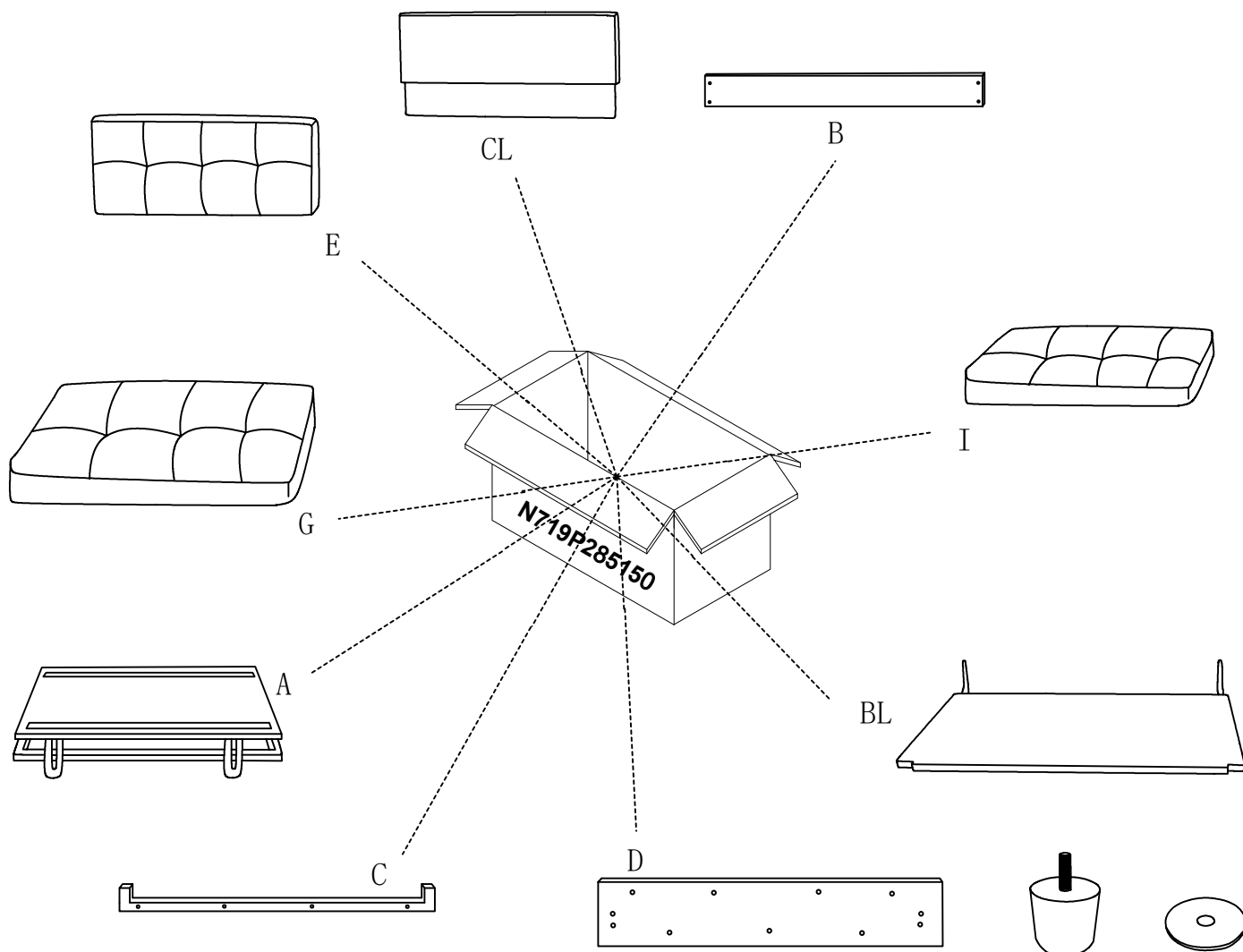
N O .	DRAWIN G	Q TY	DE SC RIPTI O N
J		3	Throw pillows
H		1	Single seat frame
F		1	Single backrest cushion
BR		1	Single seat rear baffle
CR		1	Single seat backrest

N719P285152- COMPONENT LIST

N O .	DRAWIN G	Q TY	DE SC RIPTI O N
AL		1	Left armrest
AR		1	Right armrest

*Take out the CL B I BL D C A G E Y Z

- | | | | | | | | | | |
|---|---|-----|-----|---|---|---|---|---|---|
| ① | ② | ③-L | ③-R | ④ | ⑤ | ⑥ | ⑦ | ⑧ | ⑨ |
| ⑩ | ☒ | ☒ | ☒ | ☒ | ☒ | | | | |



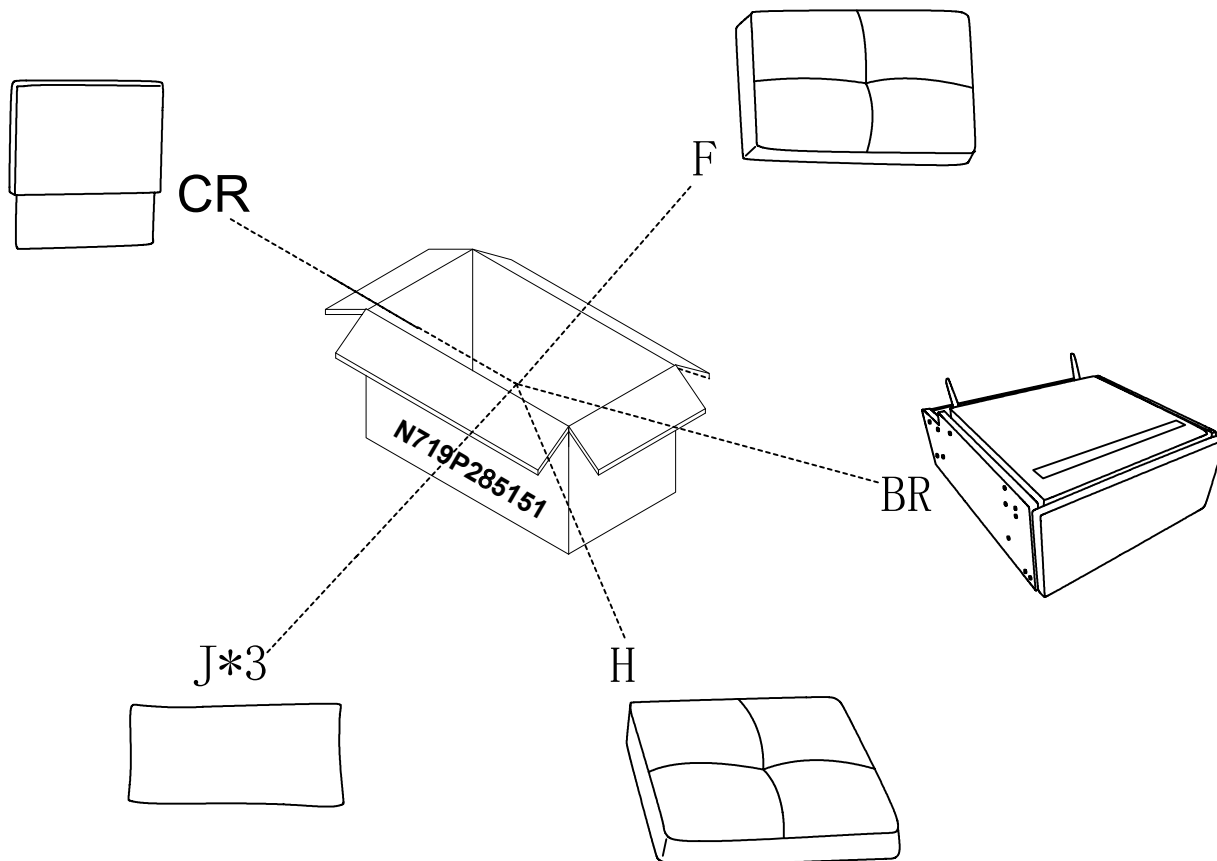
- | | | | |
|----------|----------|------------|------------|
| ① x2pcs | ② x4pcs | ③-L x1 pc | ③-R x1 pc |
|----------|----------|------------|------------|

- | | | | | |
|---------------------|----------------------|---------------------|---------------------|---------------------|
| ④ x8pcs
M6*15MM | ⑤ x24pcs
M6*20MM | ⑥ x7pcs
M6*30MM | ⑦ x4pcs
M6*55MM | ⑧ x4pcs
M8*60MM |
|---------------------|----------------------|---------------------|---------------------|---------------------|

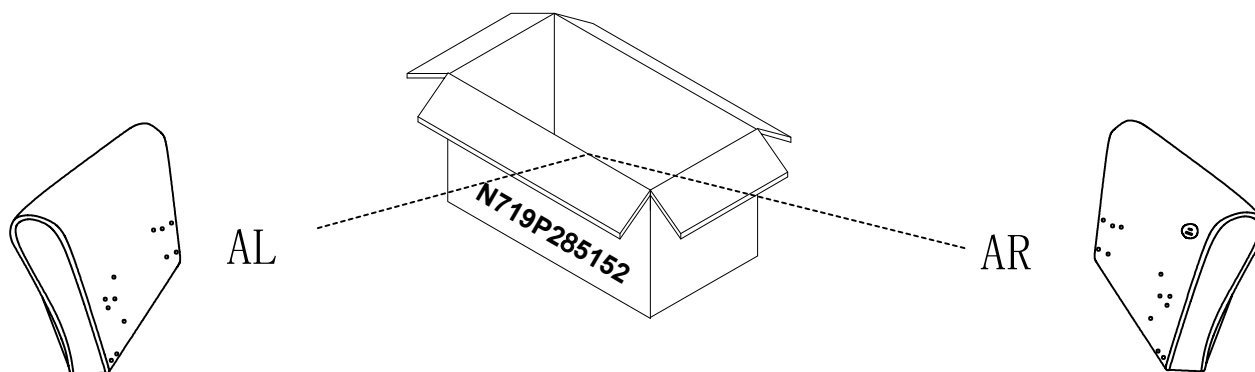
- | | | | | | |
|----------------------|----------|----------|----------|----------|----------|
| ⑨ x24pcs
M5*15MM | ⑩ x1 pc | ☒ x1 pc | ☒ x1 pc | ☒ x1 pc | ☒ x1 pc |
|----------------------|----------|----------|----------|----------|----------|

- | | | |
|----------|----------|----------|
| ☒ x2pcs | ☒ x2pcs | ☒ x6pcs |
|----------|----------|----------|

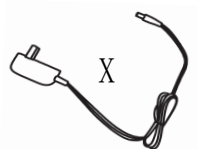
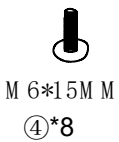
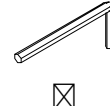
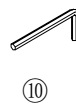
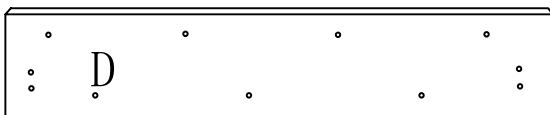
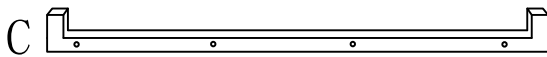
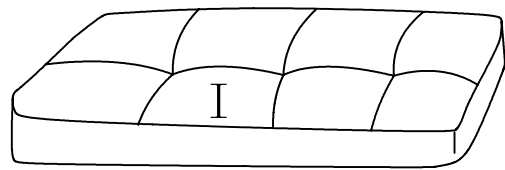
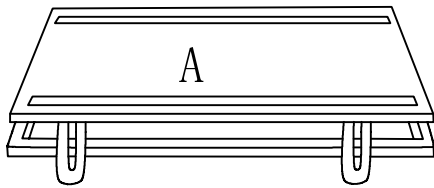
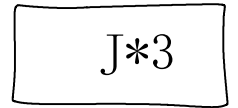
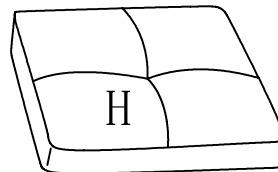
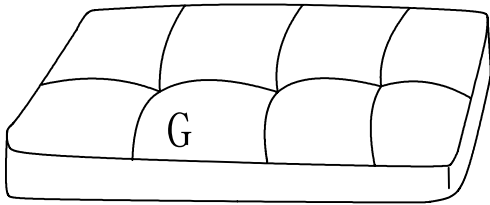
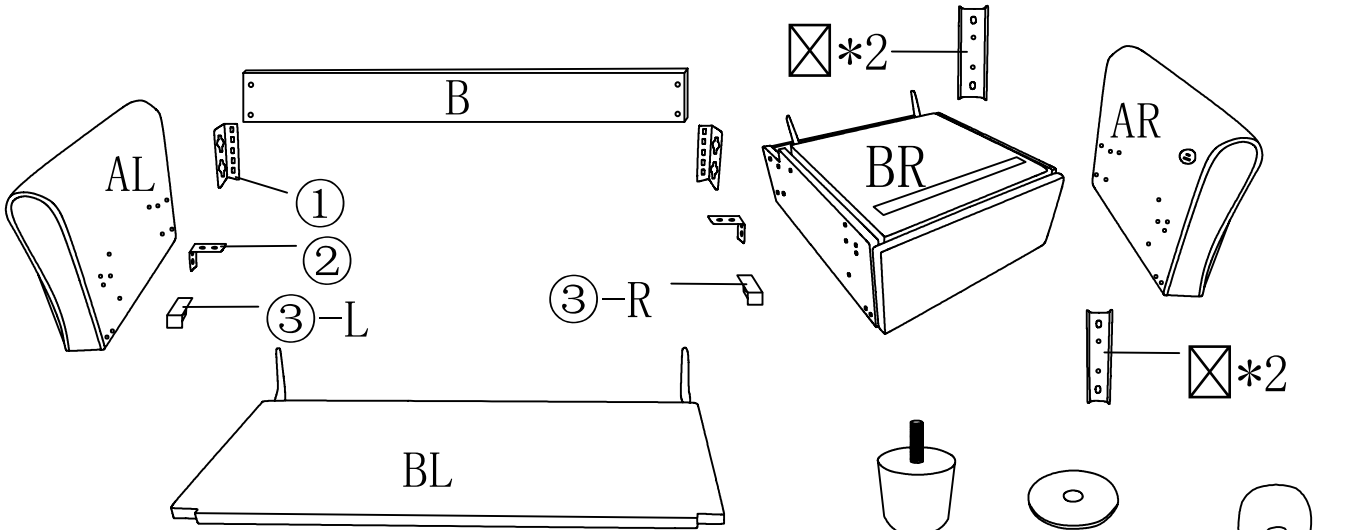
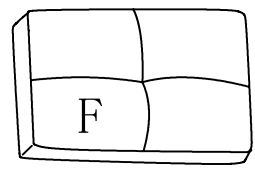
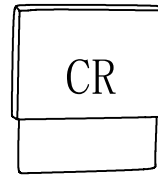
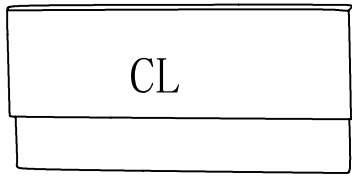
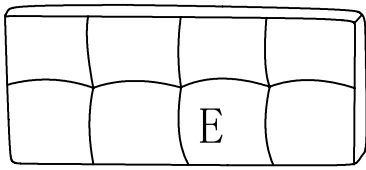
* Take out the CR J*3 H BR F



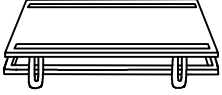



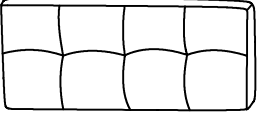




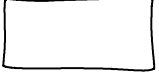
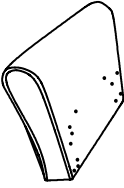
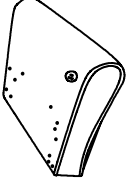
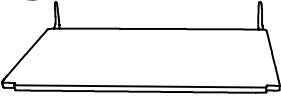
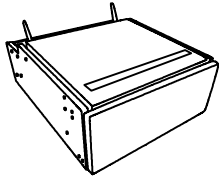
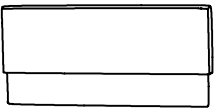
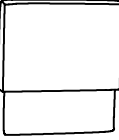

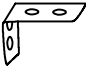
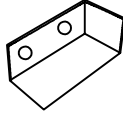
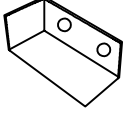










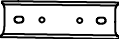

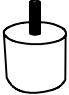


* Take out the AL AR



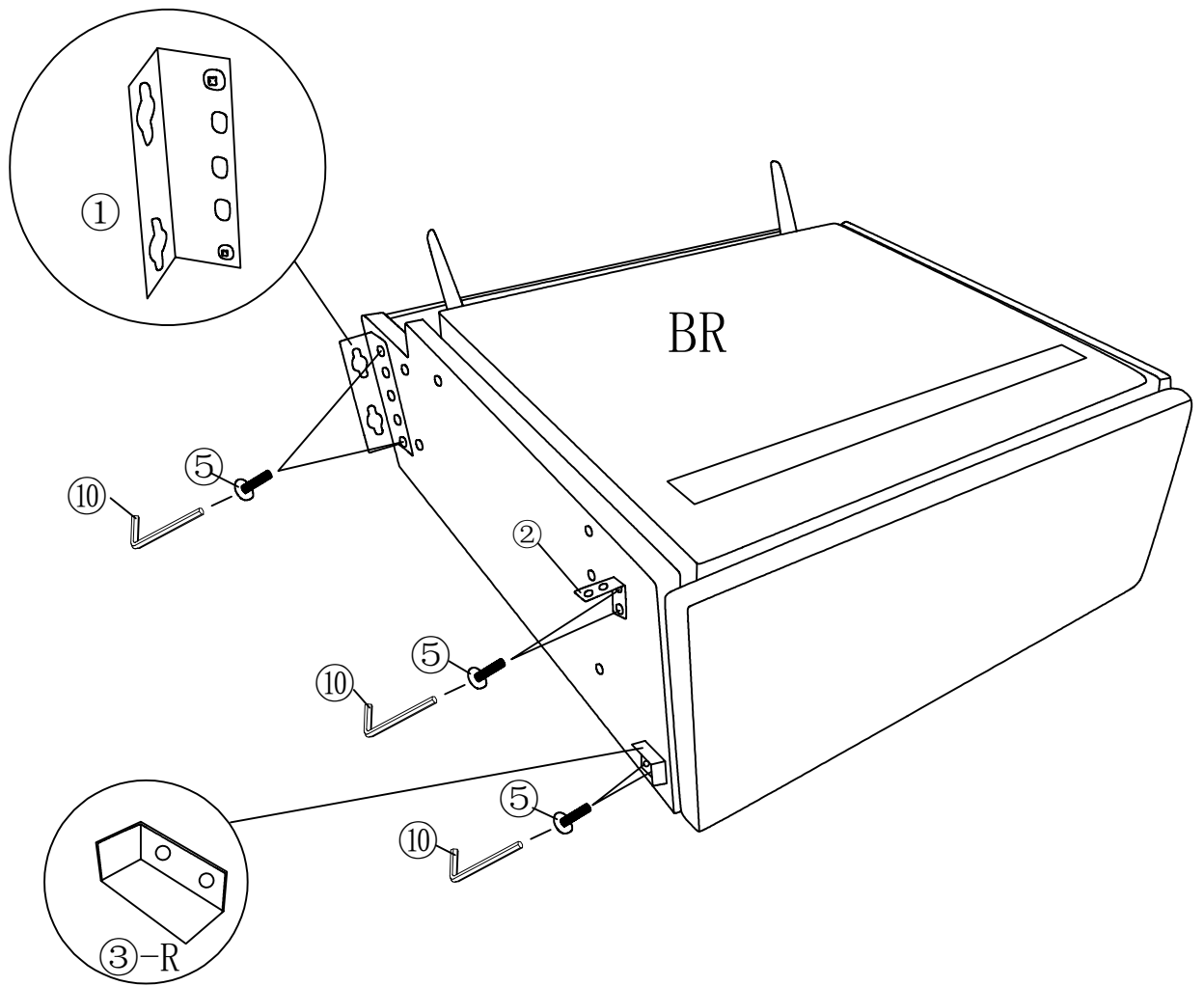
PART S LIST



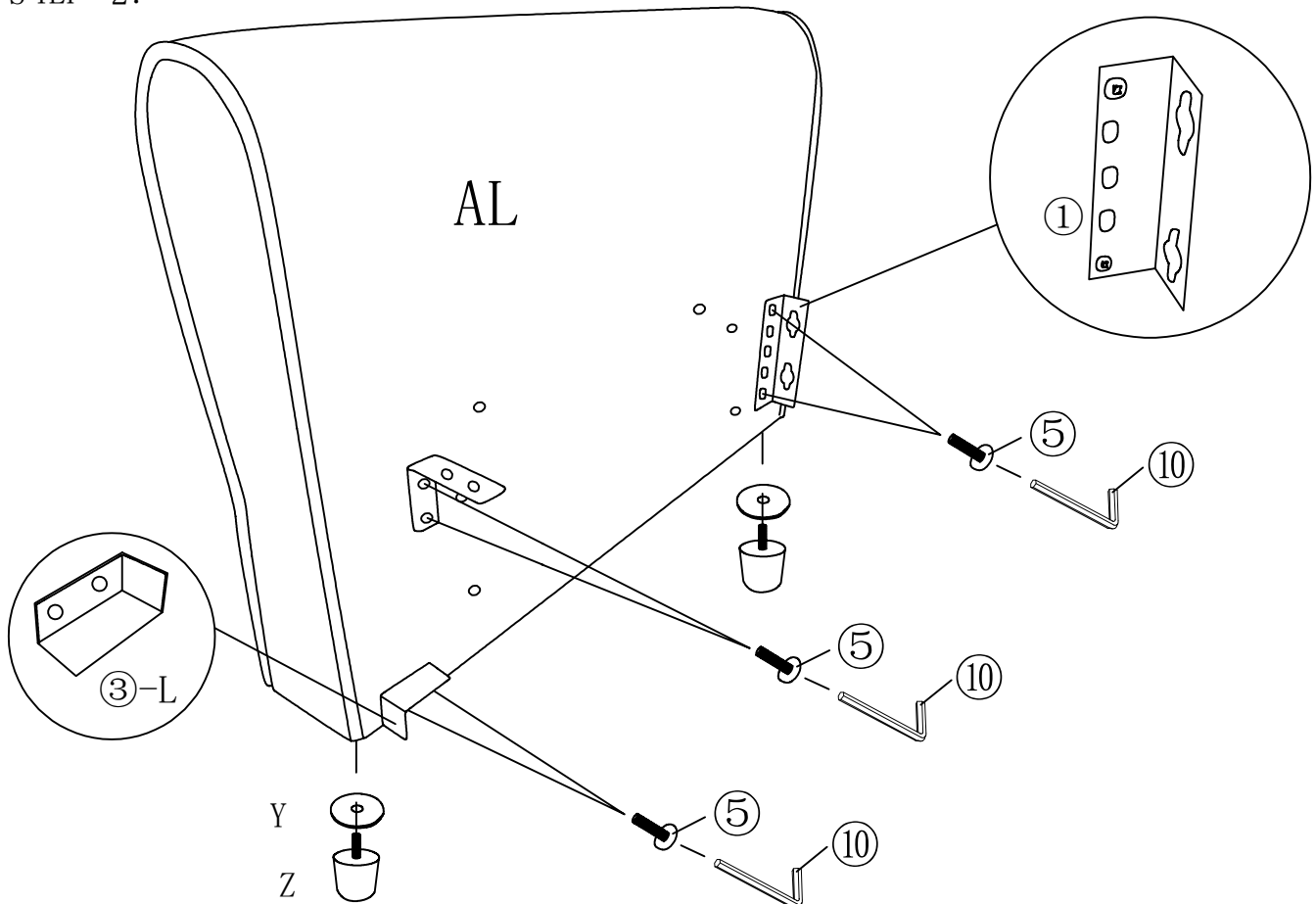
PART S LIST

<p>(A)</p> 	<p>(B)</p> 	<p>(C)</p> 	<p>(D)</p> 	<p>(E)</p> 
<p>Sofa bed frame x 1 pc</p>	<p>Two-seat rear baffle x 1 pc</p>	<p>Sofa bed front supporting block x 1 pc</p>	<p>Sofa bed front baffle x 1 pc</p>	<p>Two-seat backrest cushion x 1 pc</p>
<p>(F)</p> 	<p>(G)</p> 	<p>(H)</p> 	<p>(I)</p> 	<p>(J)</p> 
<p>Single backrest cushion x 1 pc</p>	<p>Two-seat seat cushion x 1 pc</p>	<p>Single seat cushion x 1 pc</p>	<p>Sofa bed seat cushion x 1 pc</p>	<p>Throw pillows x 3 pcs</p>
<p>(AL)</p> 	<p>(AR)</p> 	<p>(BL)</p> 	<p>(BR)</p> 	<p>(CL)</p> 
<p>Left armrest x 1 pc</p>	<p>Right armrest x 1 pc</p>	<p>Two-seat frame x 1 pc</p>	<p>Single seat frame x 1 pc</p>	<p>Two-seat backrest x 1 pc</p>
<p>(CR)</p> 	<p>(1)</p> 	<p>(2)</p> 	<p>(3-L)</p> 	<p>(3-R)</p> 
<p>Single seat backrest x 1 pc</p>	<p>Hinges x 2 pcs</p>	<p>Metal brackets x 4 pcs</p>	<p>Left wheel retainer x 1 pc</p>	<p>Right wheel retainer x 1 pc</p>
<p>(4)</p> 	<p>(5)</p> 	<p>(6)</p> 	<p>(7)</p> 	<p>(8)</p> 
<p>Screws M6*15MM x 8 pcs</p>	<p>Screws M6*20MM x 24 pcs</p>	<p>Screws M6*30MM x 7 pcs</p>	<p>Screws M6*55MM x 4 pcs</p>	<p>Screws M8*60MM x 4 pcs</p>
<p>(9)</p> 	<p>(10)</p> 	<p>(X)</p> 	<p>(X)</p> 	<p>(X)</p> 
<p>Screws M5*15MM x 24 pcs</p>	<p>Wrench M6 x 1 pc</p>	<p>Wrench M8 x 1 pc</p>	<p>Cross wrench x 1 pc</p>	<p>Male conical connectors x 2 pcs</p>
<p>(X)</p> 	<p>(Z)</p> 	<p>(Y)</p> 	<p>(Y)</p> 	<p>(X)</p> 
<p>Female conical connectors x 2 pcs</p>	<p>Wheels x 6 pcs</p>	<p>Legs x 4 pcs</p>	<p>Gaskets x 4 pcs</p>	<p>Power supply x 1 pc</p>

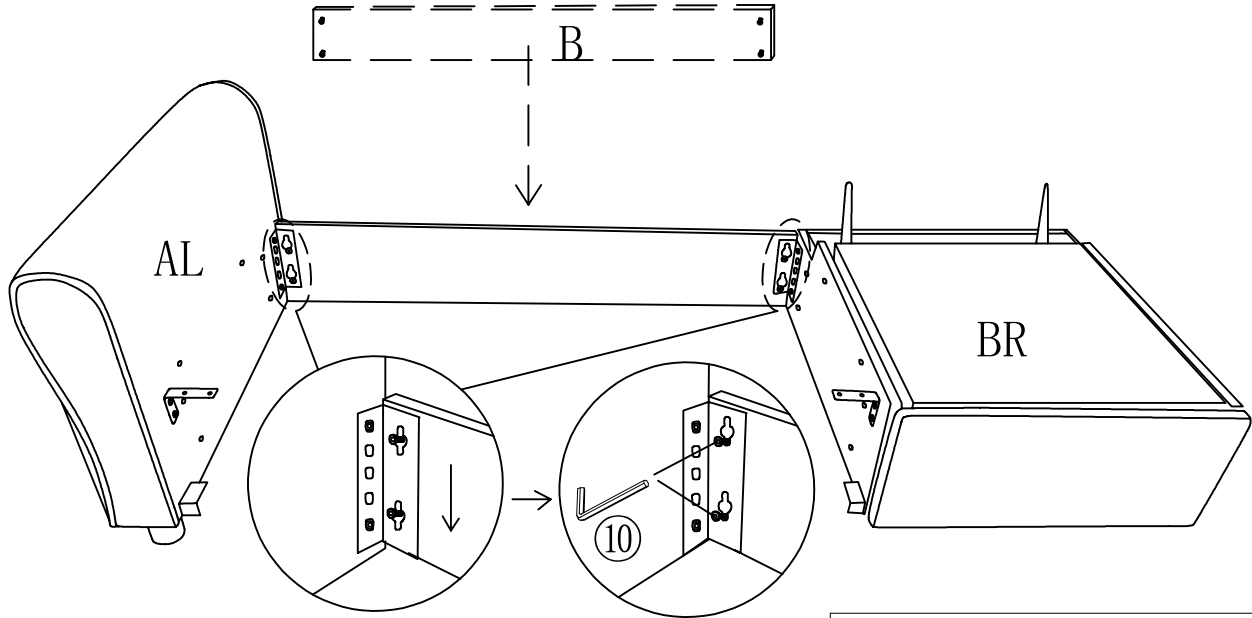
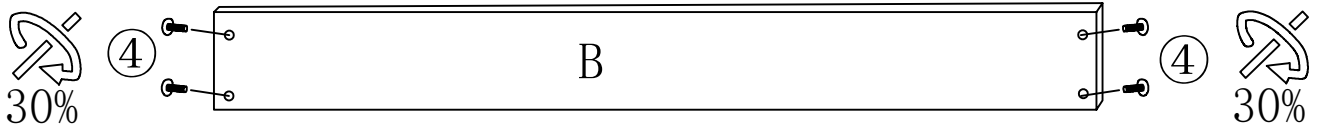
STEP 1:



STEP 2:

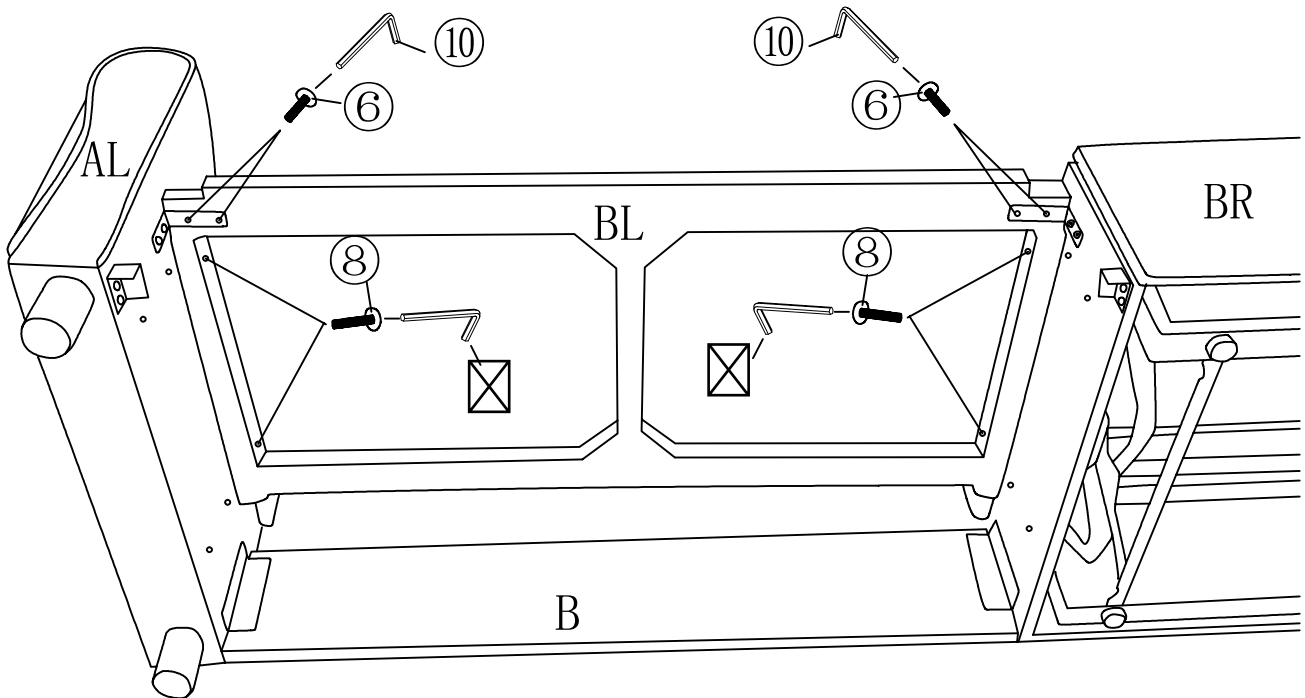


STEP 3:



NOTE: ASSEMBLE FOR 2 FRAMES

STEP 4:



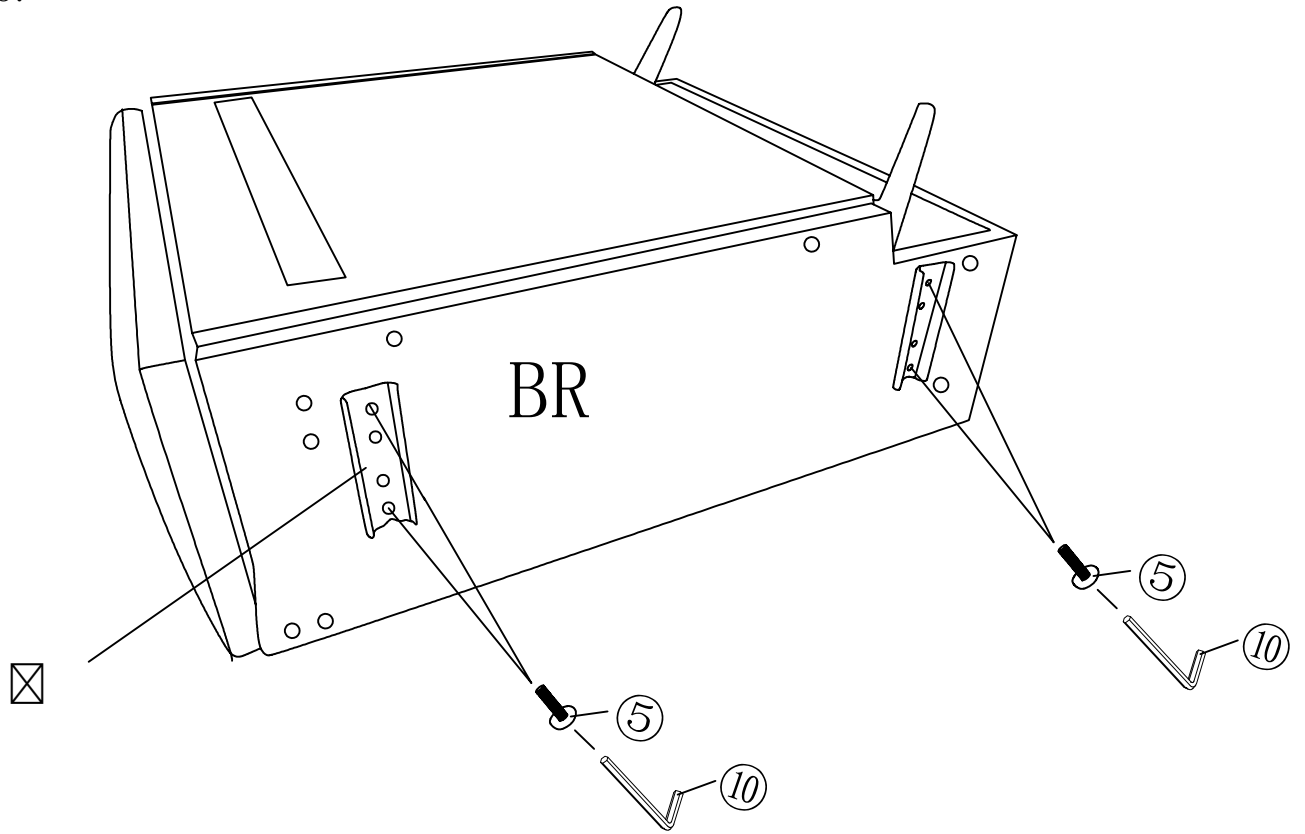
Step-by-Step Instructions •

1. Tighten Screw • to 80%: Apply 80% of the to screws • •

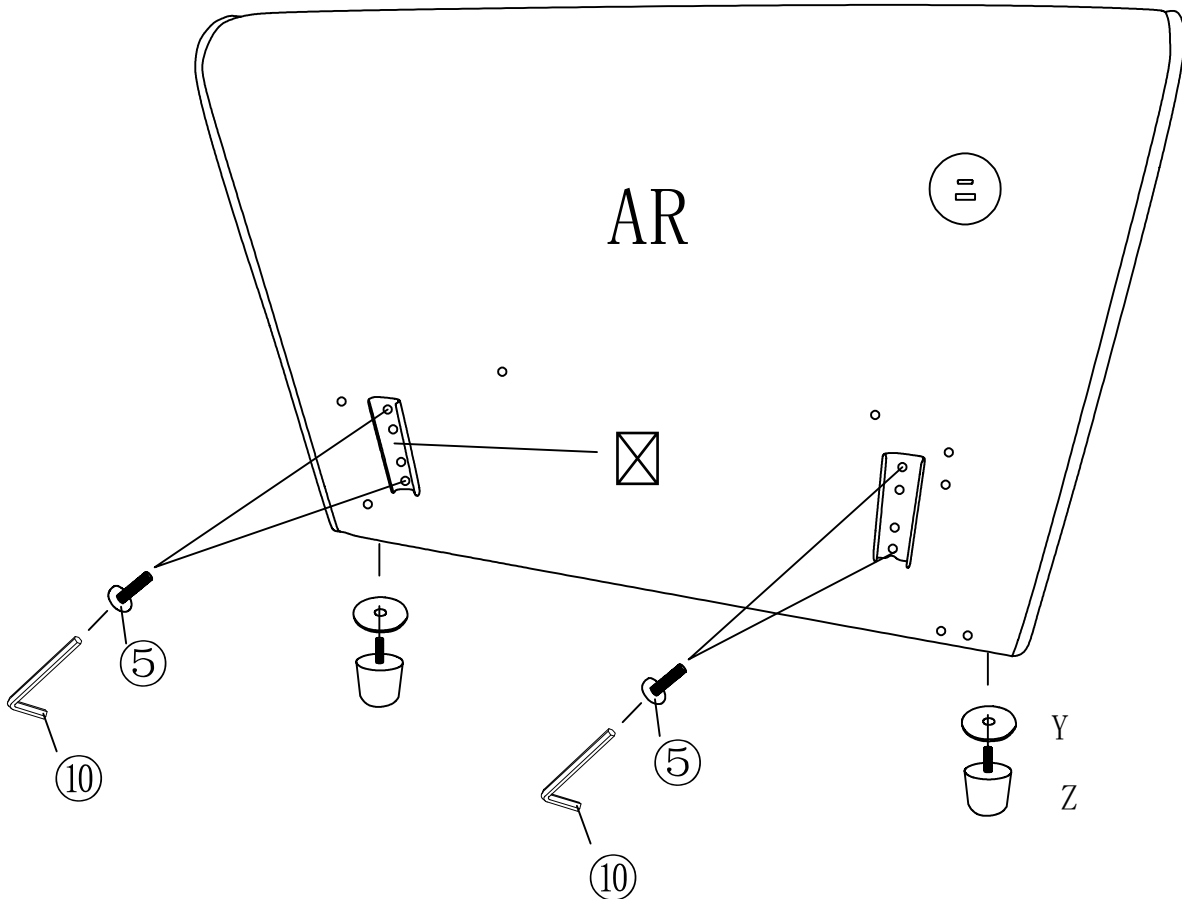
2. Tighten Screw • to 100%: Fully tighten Screw • to 100% .

3. Final Tightening of Screw • to 100%: Return to Screw • and complete its tightening to 100% .

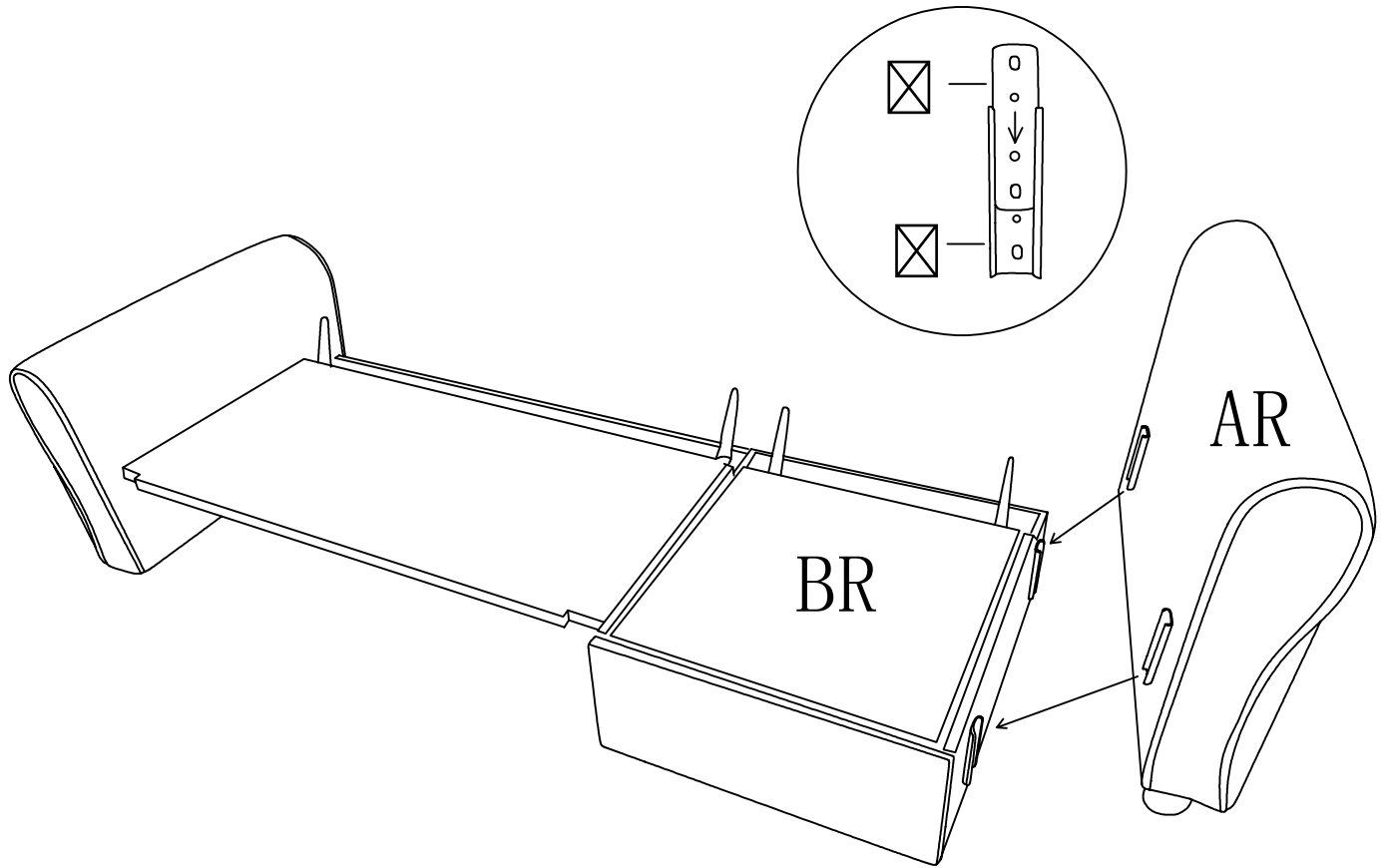
STEP 5:



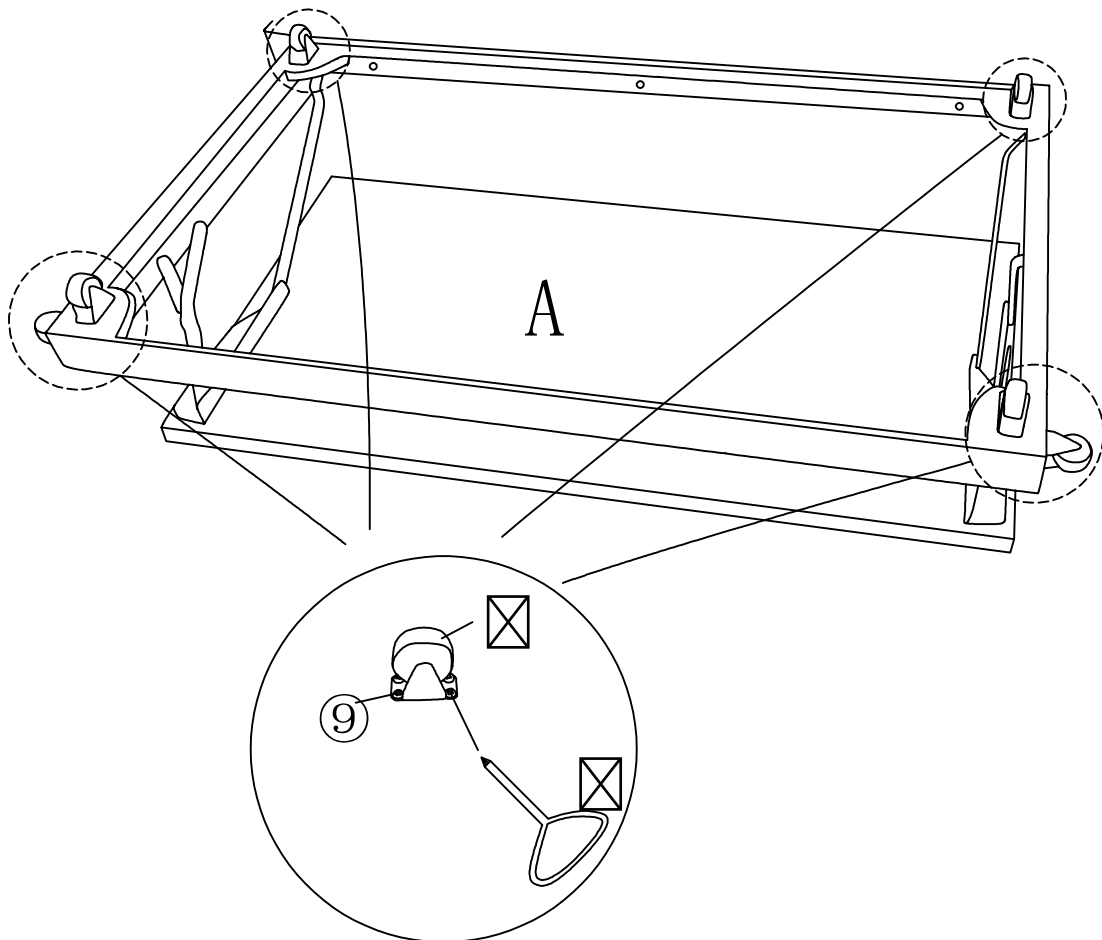
STEP 6:



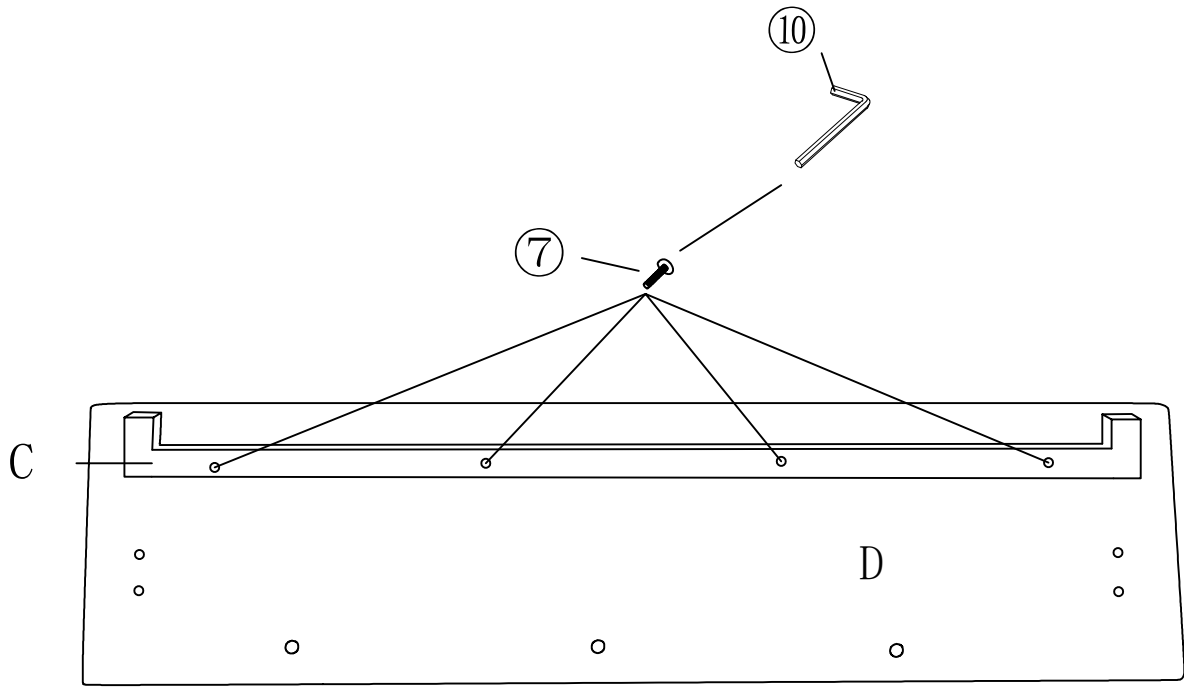
STEP 7:



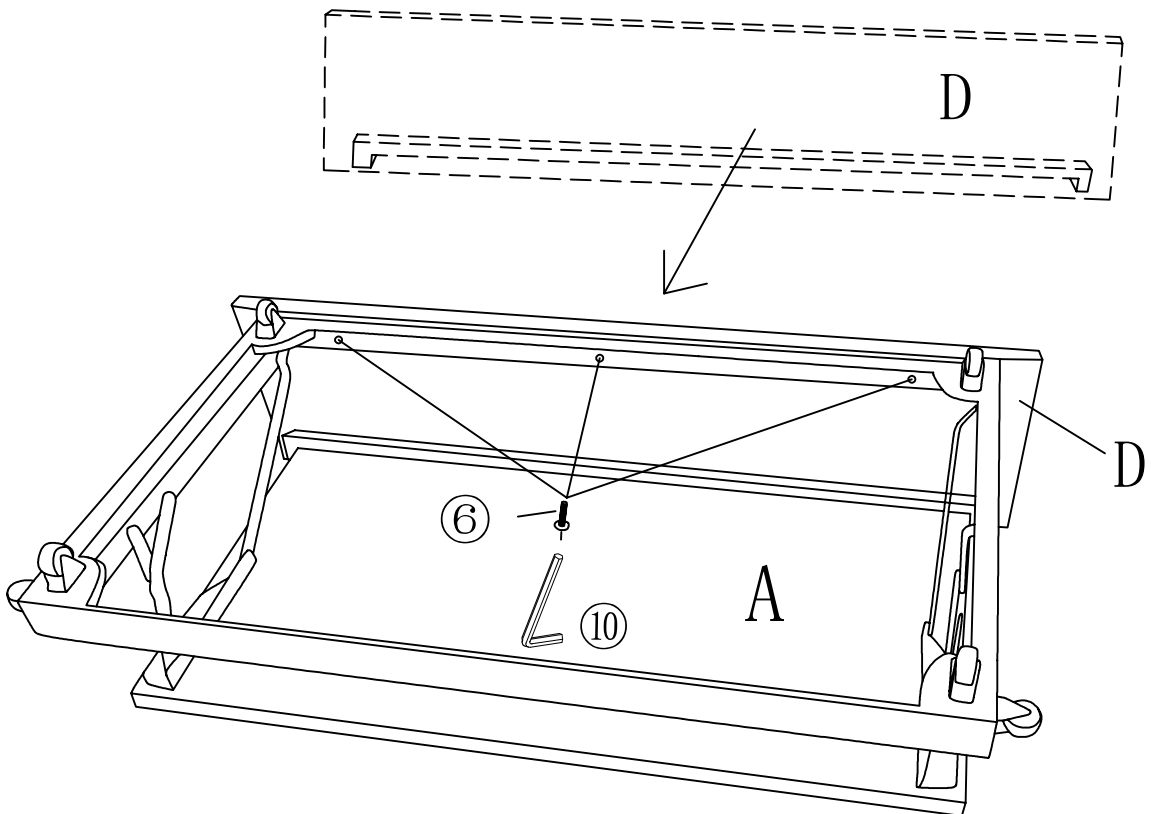
STEP 8:



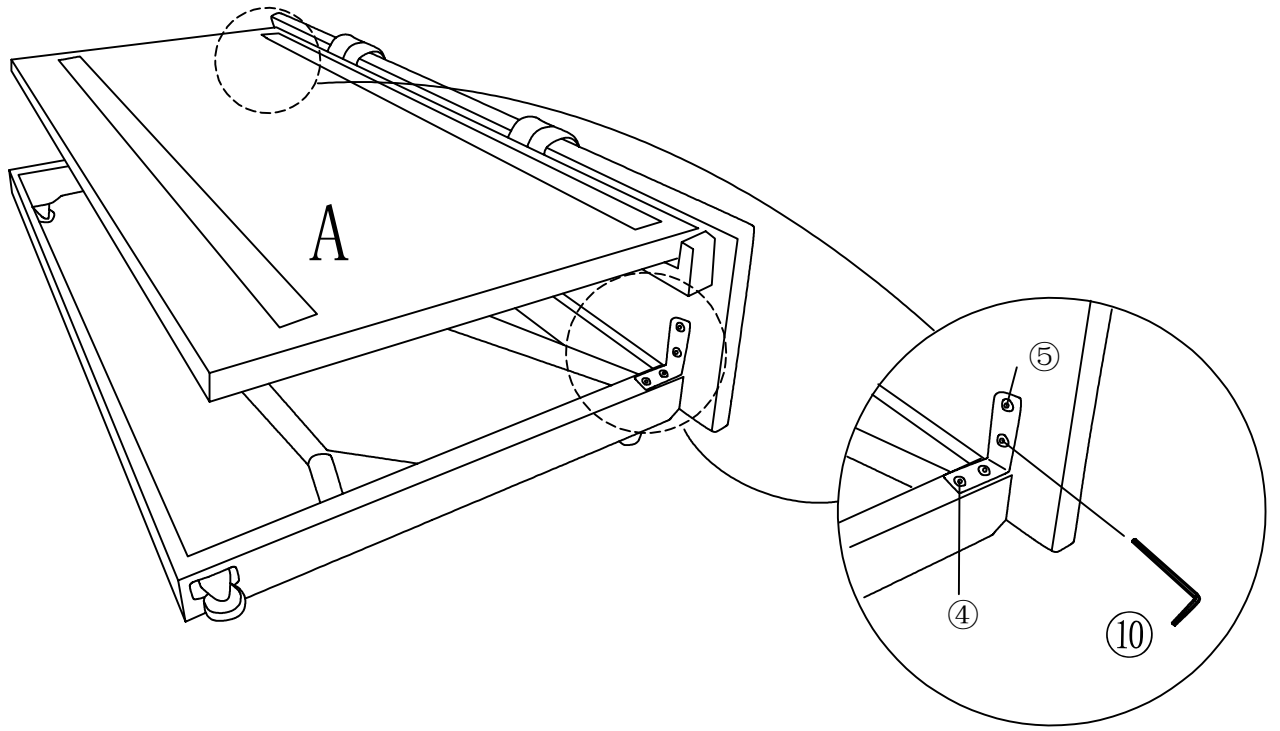
STEP 9:



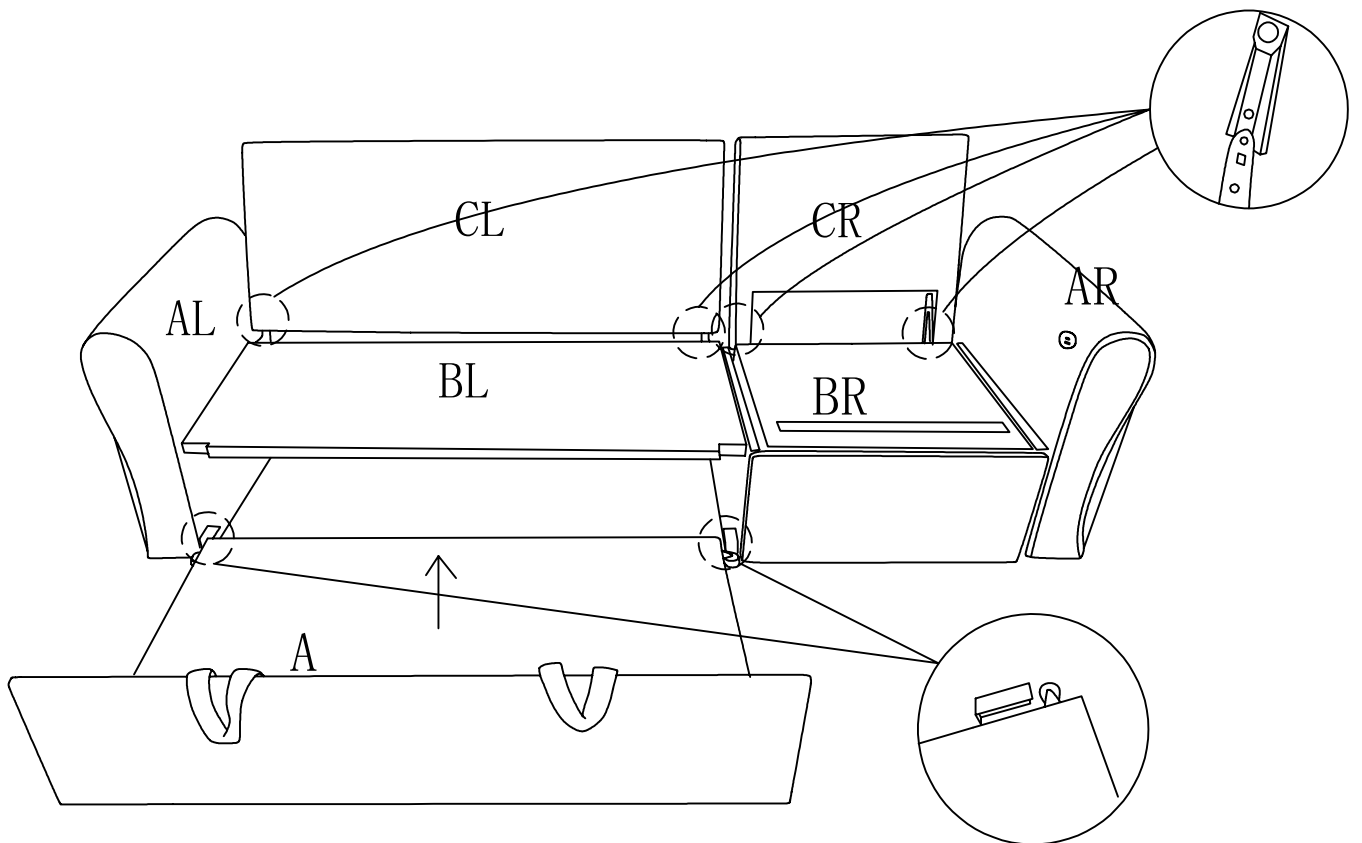
STEP 10:



STEP 11 :



STEP 12:



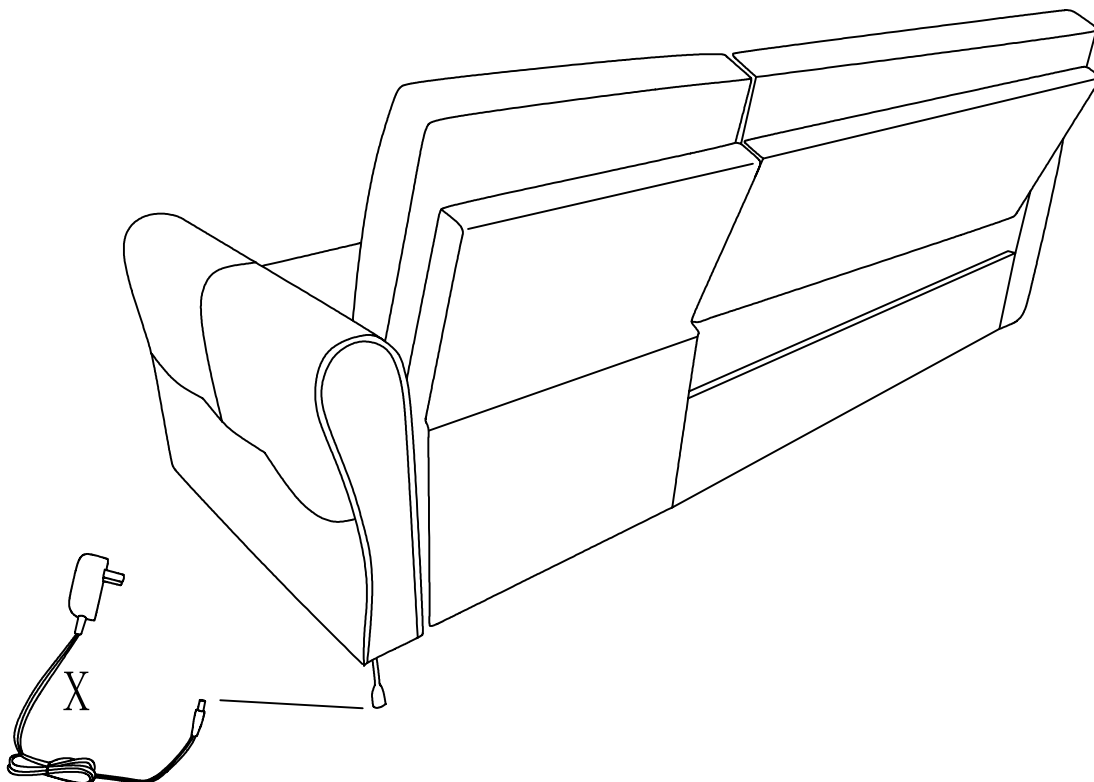
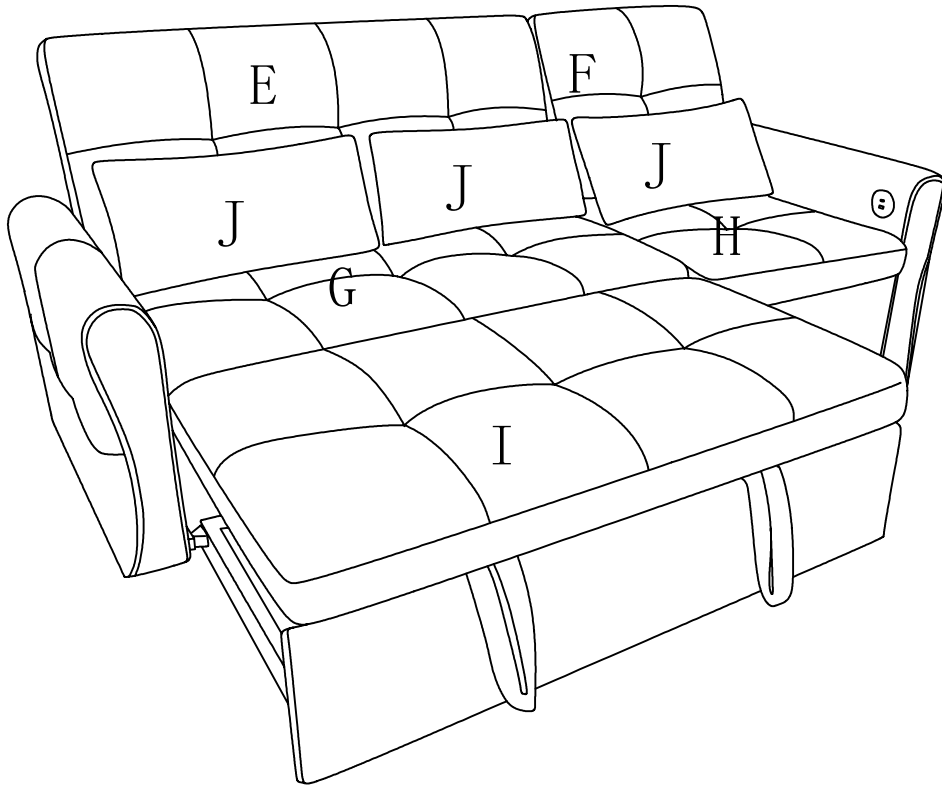
Helpful Hints

Sofa bed can transform into a sleeper.

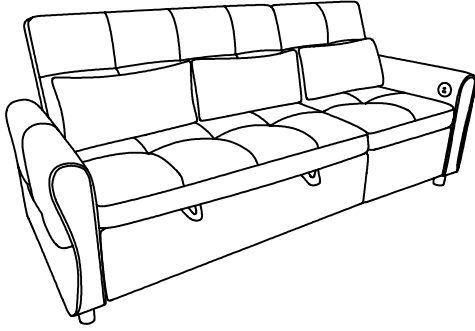
- Your furniture can be disassembled and reassembled to move.

Clean the product with a soft damp cloth. DO NOT use harsh chemicals or abrasive cleaners.

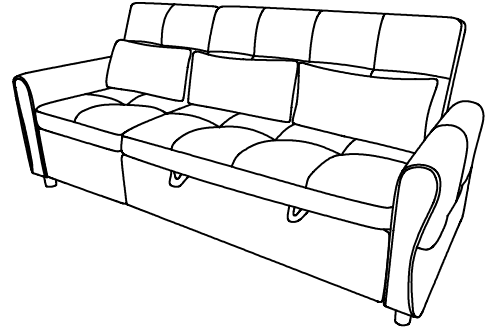
COMPLETED



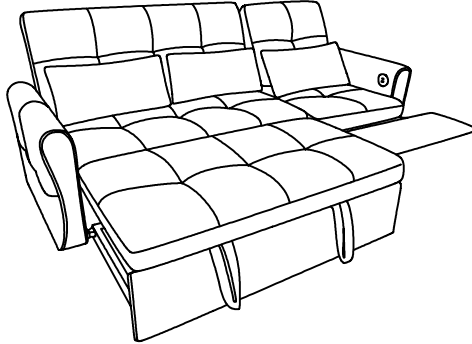
VER S I O N 1



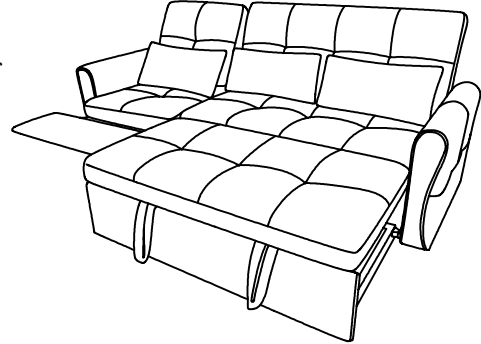
or



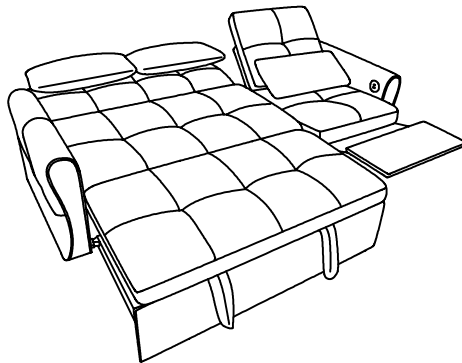
VER S I O N 2



or



VER S I O N 3



or

