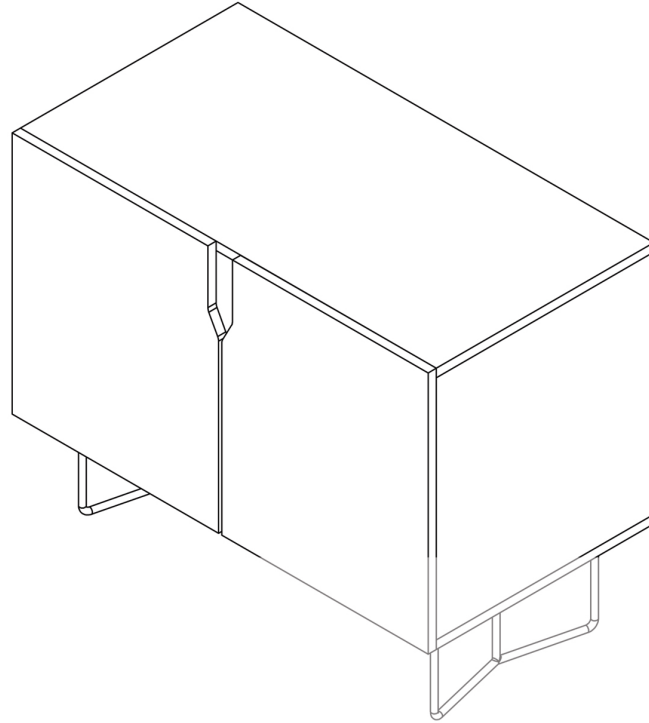
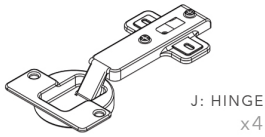


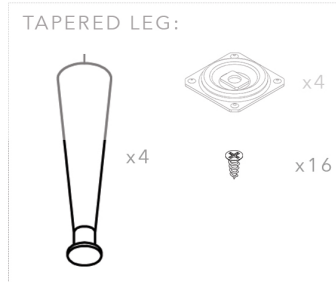
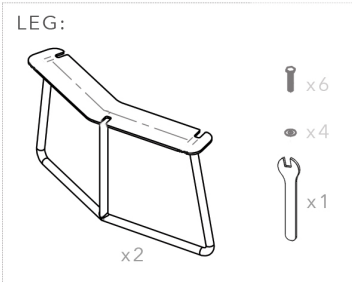
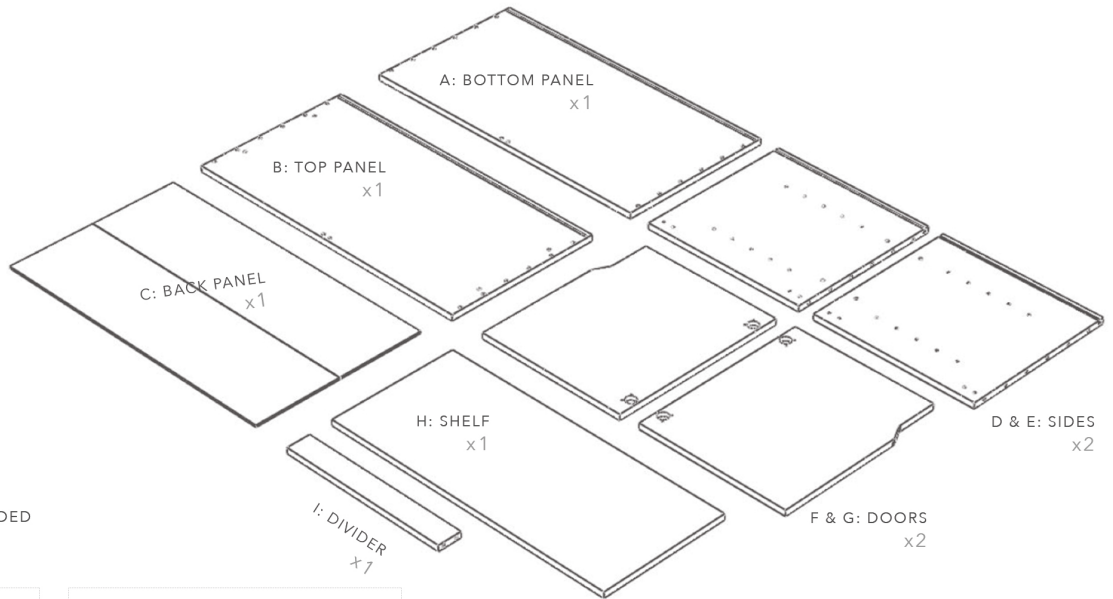
ASSEMBLY INSTRUCTIONS



WHAT'S INCLUDED:



*NOTE: EXTRAS MAY BE INCLUDED



DO NOT USE AN ELECTRIC SCREWDRIVER

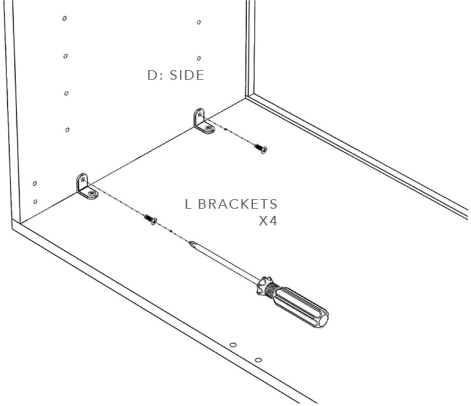
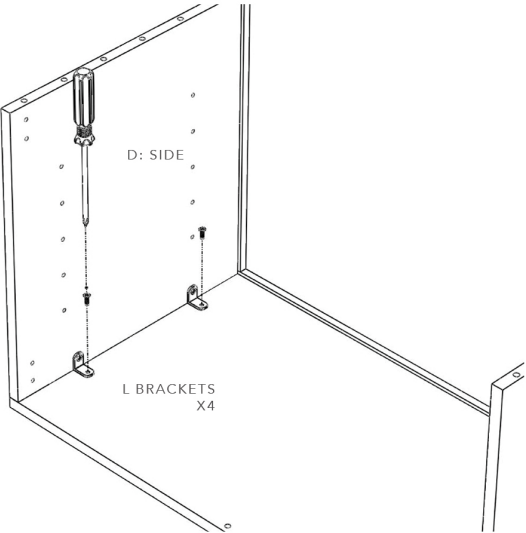
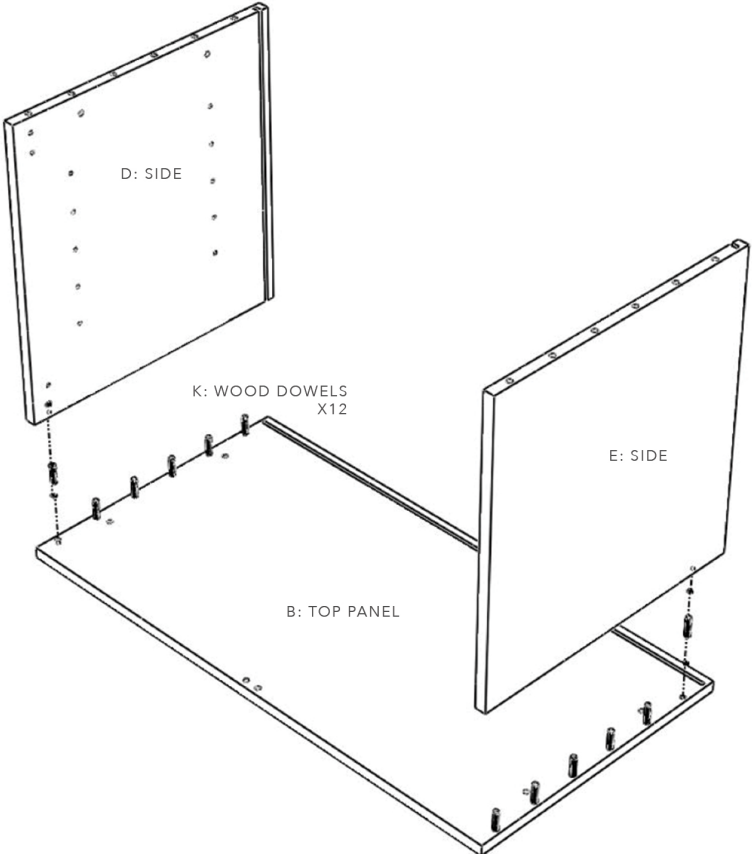
YOU WILL NEED:



YOU AND ANOTHER HELPER

ASSEMBLY INSTRUCTIONS

PRO TIP: TO PROTECT THE WOOD, ASSEMBLE ON TOP OF THE CARDBOARD SHEETS INCLUDED IN YOUR PACKAGING.

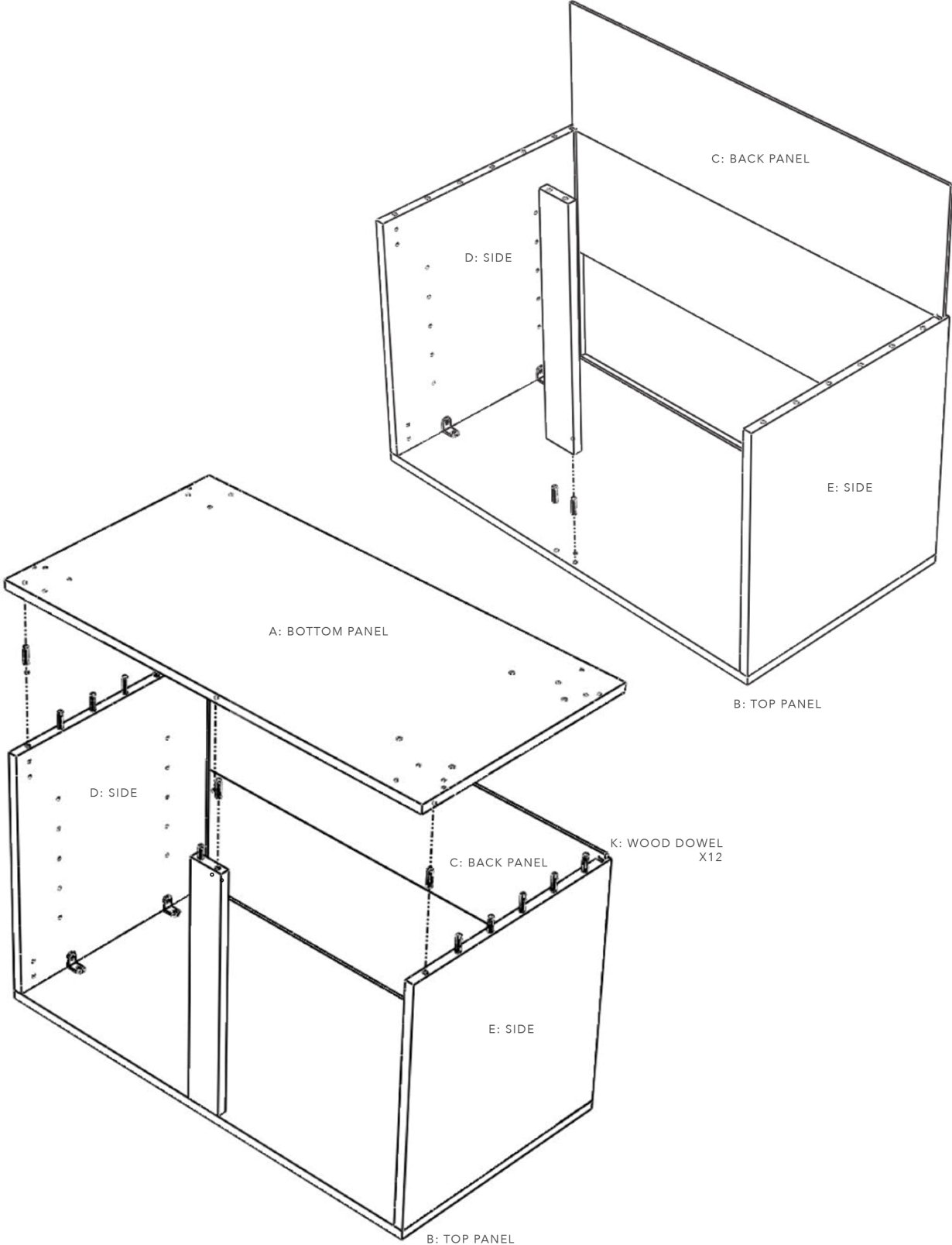


REPEAT AND ADD L BRACKETS ON SIDE E

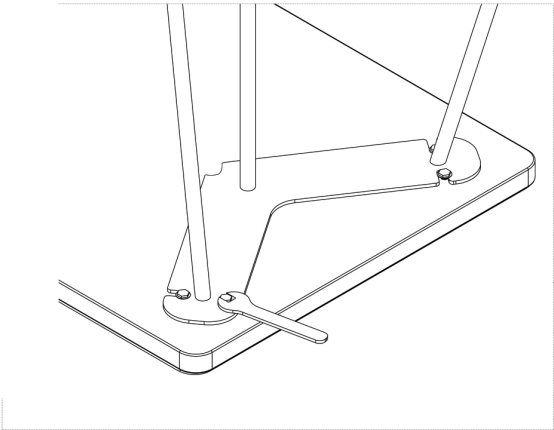
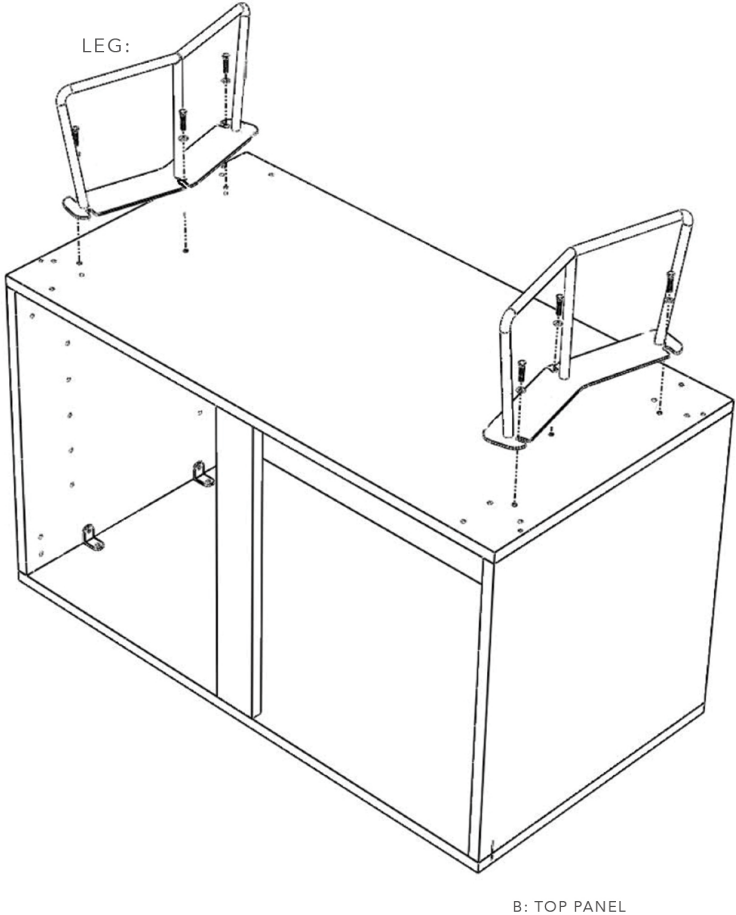
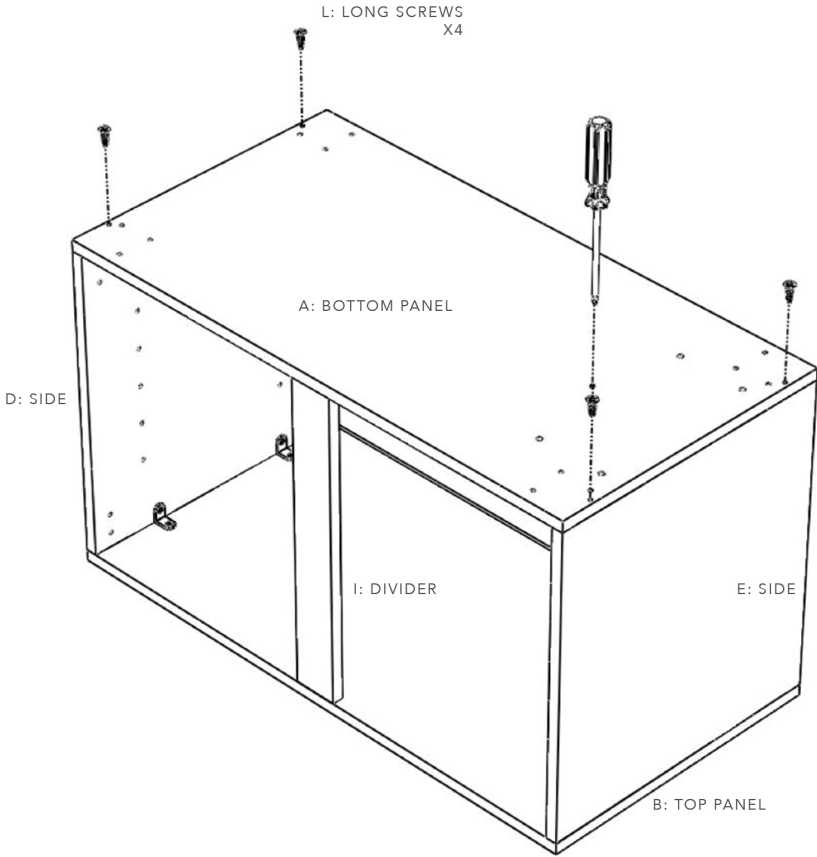
ASSEMBLY INSTRUCTIONS / THE CREDENZA

MADE FROM SCRATCH IN DENVER, CO

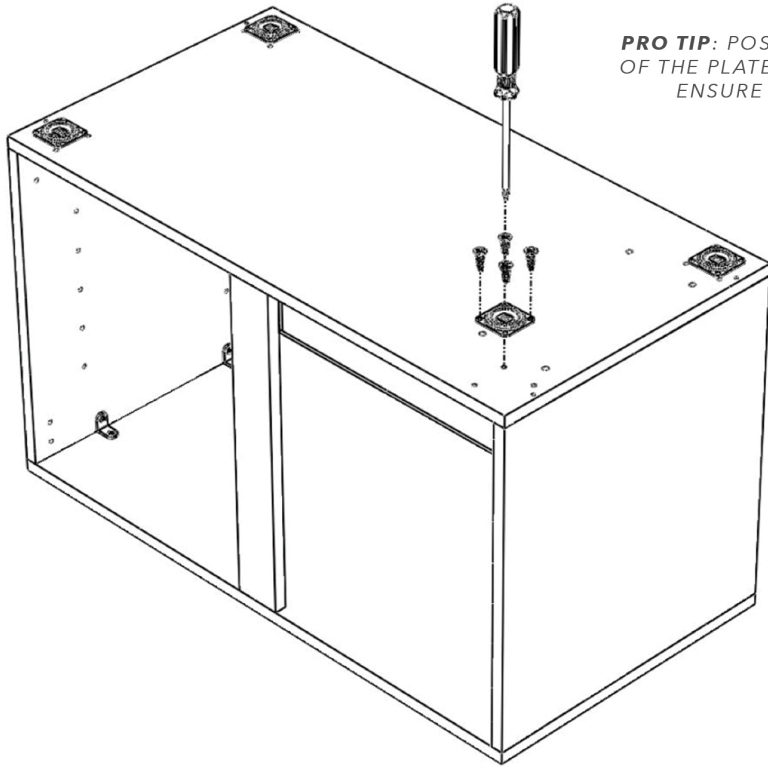
PRO TIP: TO PROTECT THE WOOD, ASSEMBLE ON TOP OF THE CARDBOARD SHEETS INCLUDED IN YOUR PACKAGING.



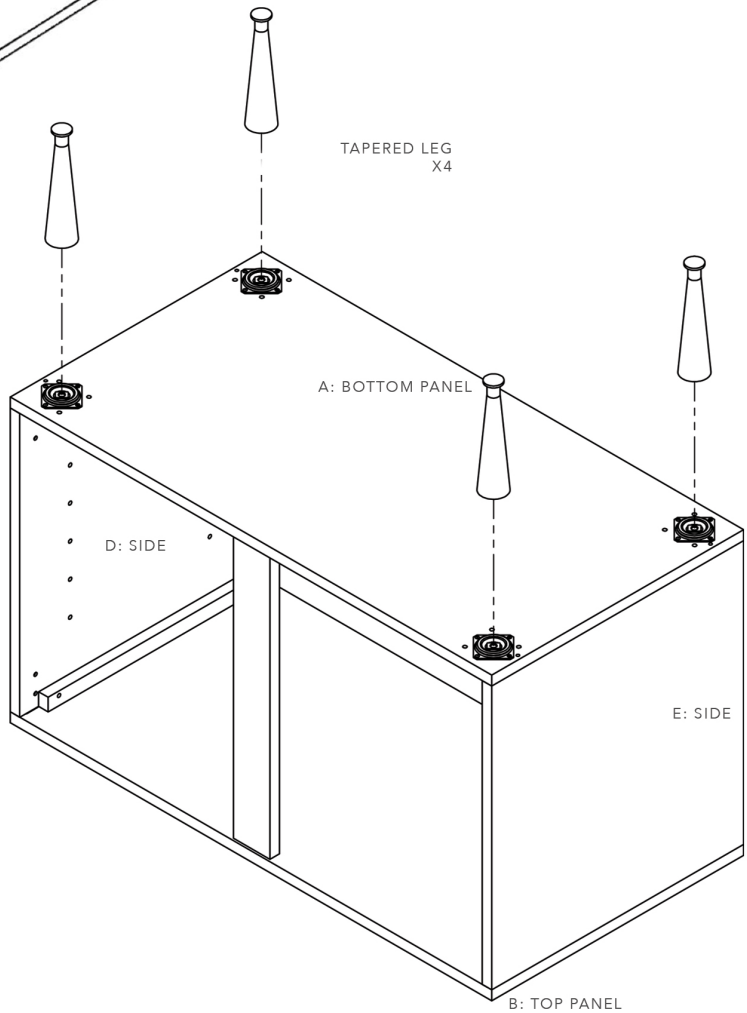
ASSEMBLY INSTRUCTIONS



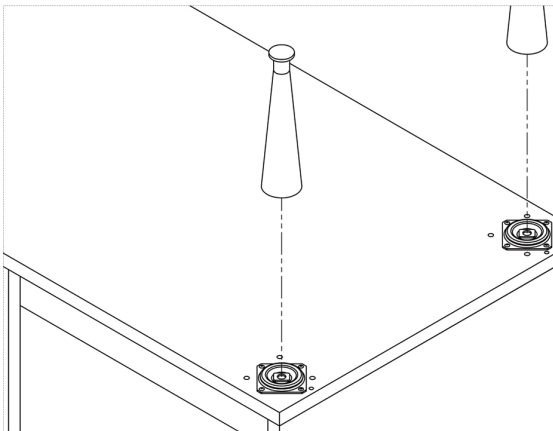
ASSEMBLY INSTRUCTIONS



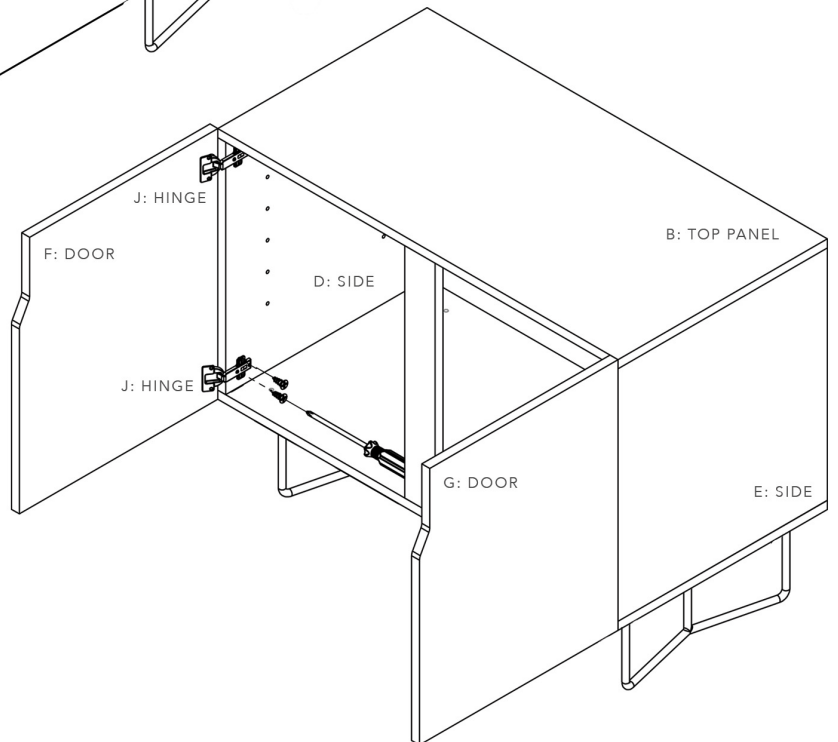
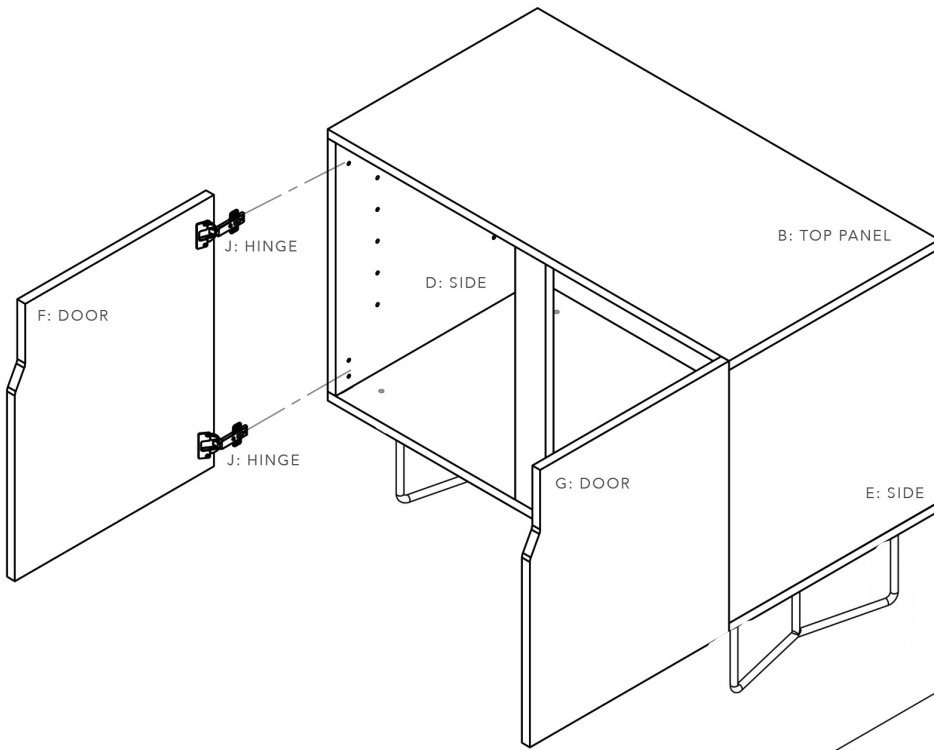
PRO TIP: POSITION THE LEG PLATES SO THAT THE ANGLED PART OF THE PLATE IS FACING INWARD FROM EACH CORNER. THIS WILL ENSURE YOUR WOODEN LEGS ARE ANGLED CORRECTLY.



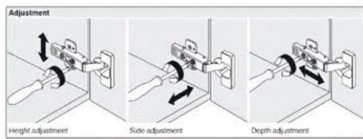
TAPERED LEG:



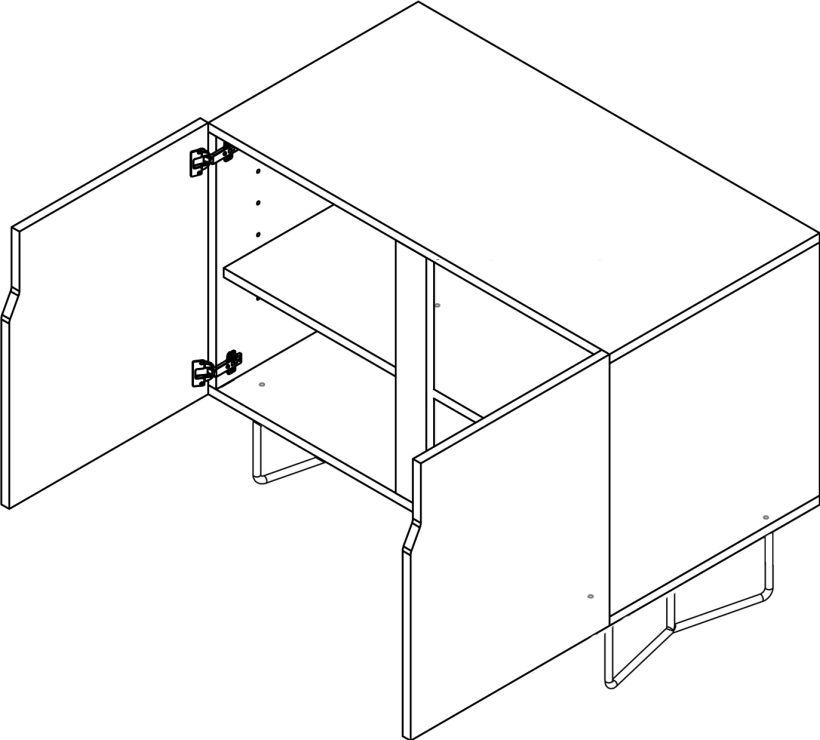
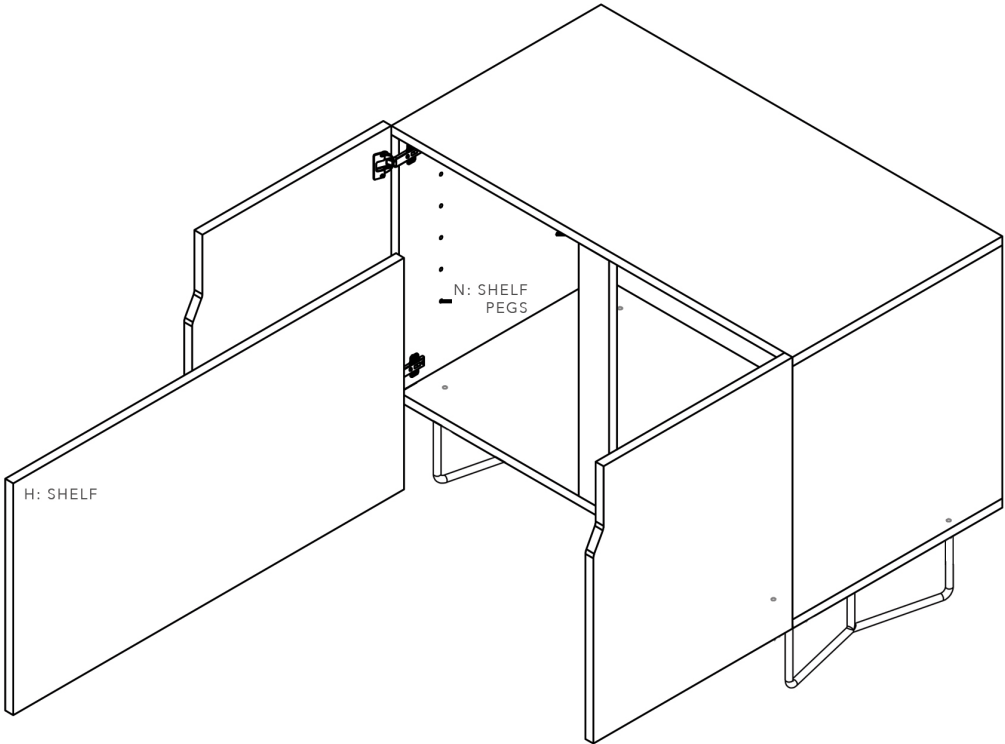
ASSEMBLY INSTRUCTIONS



SOME ADJUSTMENTS ON DOOR HINGES WILL BE NECESSARY.



ASSEMBLY INSTRUCTIONS



PRO TIP: TO PROTECT WOOD AND HARD FLOORS, USE INCLUDED FELT PROTECTORS UNDERNEATH THE CREDENZA LEGS.