

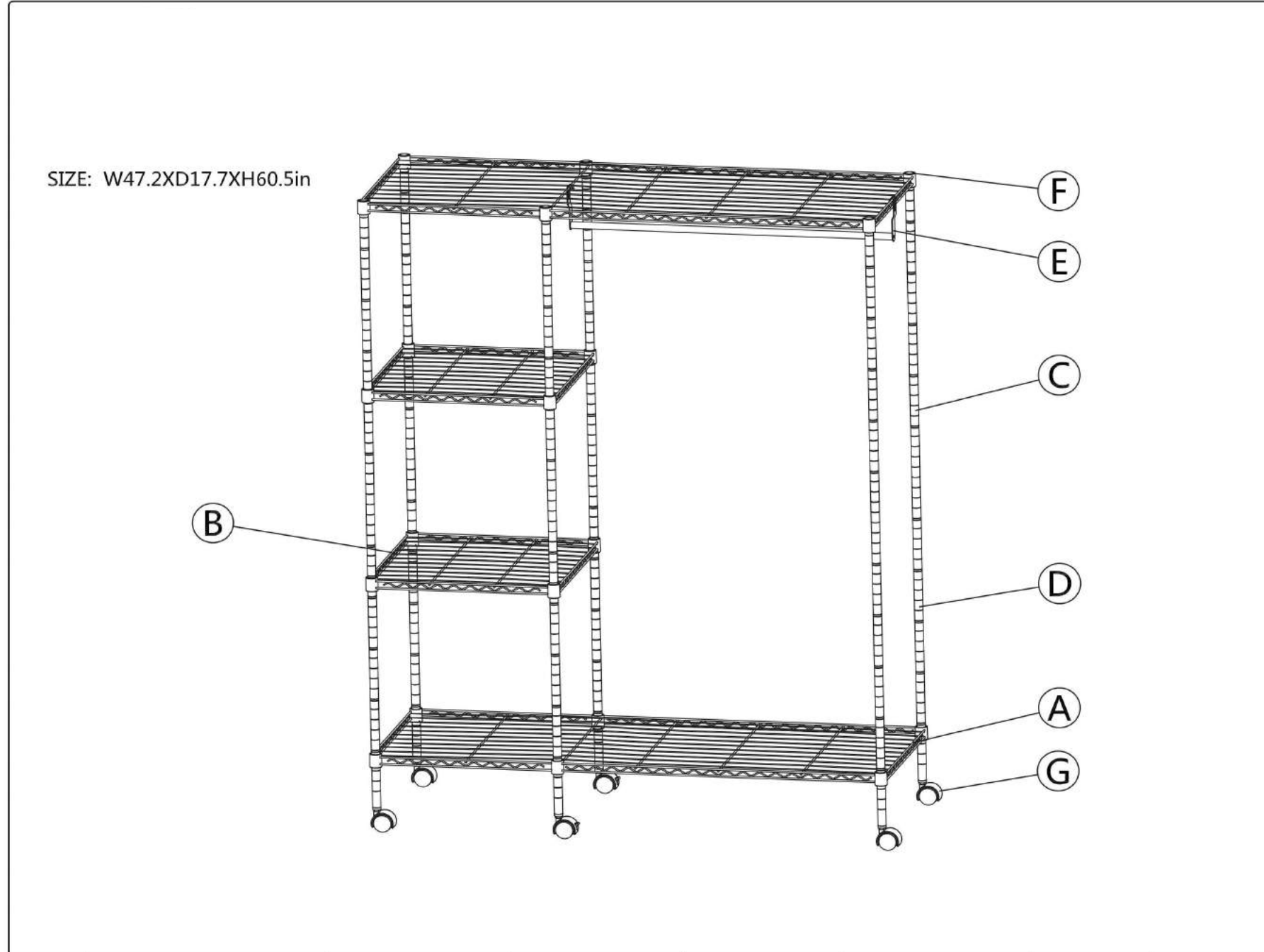
CARE AND MAINTENANCE

Never use abrasive or acid-based cleaners on the shelf rack.
Clean shelves and rods with a solution of mild detergent and water .Use a soft cloth or sponge to wipe parts.Rinse and dry thoroughly.Keep surfaces dry and clean for a longer lasting finish.

NOTICE

Please read and understand these instructions before attempting to assemble,operate or install the product.

- Two adults required for a assembly.
- Do not allow children to climb or play in or around the shelves .
- Each shelf holds up to 88 lbs.When items are evenly distributed.
- Assemble on a soft surface,such as carpeting to avoid scratching the finish .



No.	A	B	C	D	E	F	G
Name	6-Collar Shelf	Square Shelf	Upper Pole	Lower Pole	Clothes Hanger Rod	Plastic Clip	Nylon Caster
Parts							
Quantity	2PCS	2PCS	6PCS	6PCS	1PC	40PCS	6PCS

PREPARATION

- 1.Before beginning assembly of product,make sure all parts are present.Compare parts with package contents list and hardware contents .If any parts is missing or damaged,do not attempt to assemble the product .
- 2.Estimated Assembly Time :Approximately 15-20 minutes.
- 3.Helpful Tools(not included):Rubber Mallet.
- 4.Tools Required for Assembly (included): Wrench

Assembly Steps:

1 Screw the Nylon Caster(G) into the 6 Lower Pole(D),and then snap the Plastic Clips(F) into the grooves of 6 lower pole at the same position and make sure that all plastic clips arrow shall be pointed up.

2 Please make sure that you have the 6-collar Shelf (A) the correct way up.Hold the shelf on its side and slide the top of 6 lower poles through the bottom of each shelf at its corners until there is snug fit .After 6 poles have been slid through the shelf collar holes,set the shelf upright.

3 Snap plastic clips into the pole grooves of Square Shelf(B) at your next desired shelf height position,slide down the shelf from top down onto the plastic clips.

4 Screw Upper Poles (C) into lower poles by screw connectors which is already assembled on the upper poles.

5 Repeat the step 3 to assemble the 2nd square shelf and the top 6-collar shelf.

6 Hanging clothes hanger rod(E) onto the top shelf frame by its brackets' hook as the photo .Pushing firmly down on every shelf at corners by rubber mallet to ensure the shelf in a place over the plastic clips.