

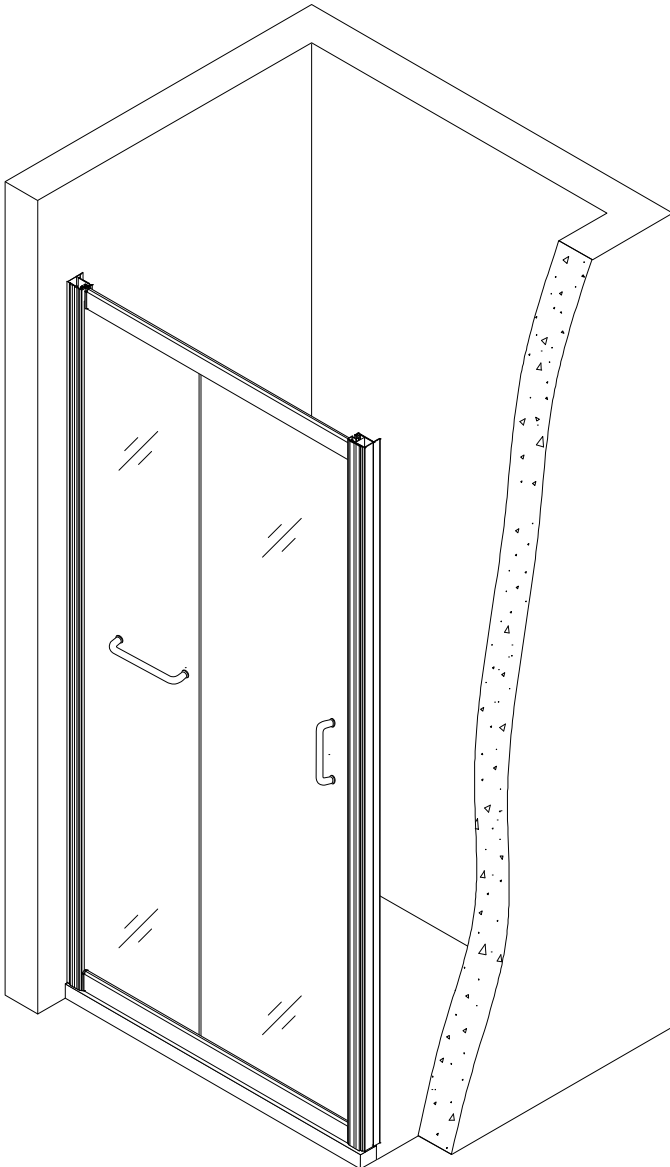


INSTALLATION MANUAL

FOR SHOWER DOOR

INSTALLATION INSTRUCTIONS

Shower Door



SAFETY INFORMATION

CAUTION

Please carefully read the following important safety information before handling or installing this shower door. There is a risk of serious injury while handling this product.

To minimize these risks, please note:

Always wear safety glasses and gloves while handling.

Always follow the installation instructions. Inspect glass for damage before installation.

Extreme caution should be taken while handling the glass during installation as the tempered glass may shatter if in contact with a hard surface.

Do not cut or modify the tempered glass as it will shatter if cut.

Carefully remove product from packaging and keep packaging until installation is complete.

Inspect all parts for damage or missing; If there is damage or part missing to the unit prior to installation, please contact customer service at the number provided in this guide.

Cover the drain with tape to prevent the loss of small parts.

The shower base and finished walls should be installed before beginning the shower door installation.

During the installation, protect the shower floor with a drop cloth to avoid damage. This product should be installed by two people who are familiar with construction requirements. Professional installation is recommended!

Keep this installation manual for future reference.

NOTE: Two people should perform this installation.

NEED TOOLS



Safety Glasses



Silicone Adhesive Sealant



Tape Measure



Rags



Drill Bits



Drill



Screwdriver



Pencil



Hammer



Knife

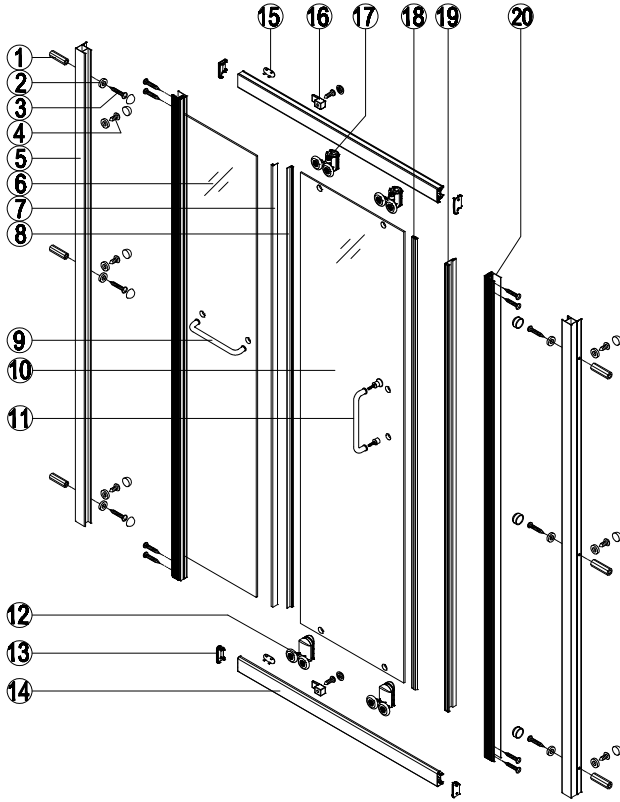


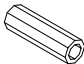








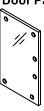
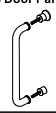



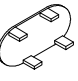
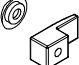

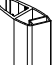


Glove



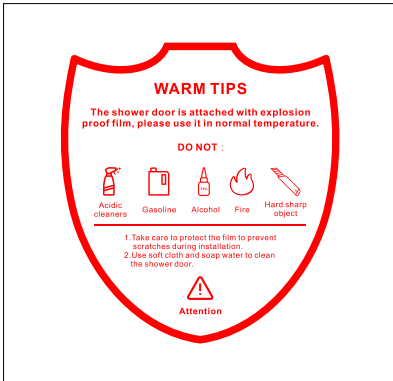
Spirit Level

ESSENTIAL ACCESSORIES LIST

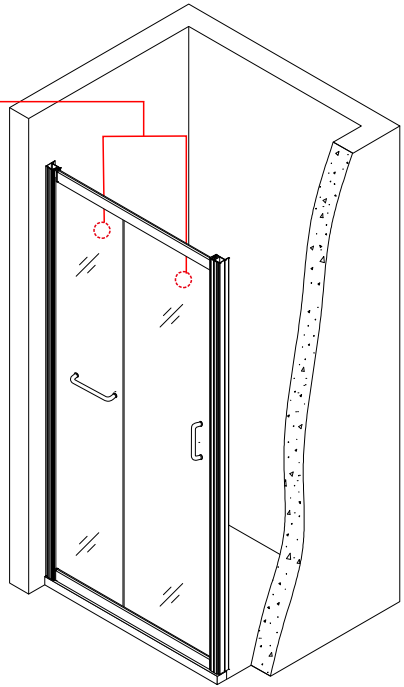


<p>① Wall Anchor</p>  <p>6 Pcs</p>	<p>② Decorative Cover</p>  <p>12 Pairs</p>	<p>③ S14x30 Metric Screw</p>  <p>14 Pcs</p>	<p>④ S14x12 Metric Screw</p>  <p>8 Pcs</p>	<p>⑤ Wall Jamb</p>  <p>2 Pcs</p>
<p>⑥ Fixed Panel</p>  <p>1 Pcs</p>	<p>⑦ Magnetic seal strip</p>  <p>1 Pcs</p>	<p>⑧ Fixed Panel Side Water-blocking Strips</p>  <p>1 Pcs</p>	<p>⑨ Round Pipe Single-head Handle</p>  <p>1 Pcs</p>	<p>⑩ Glass Door Panel</p>  <p>2 Pcs</p>
<p>⑪ Glass Door Panel Handle</p>  <p>1 Pcs</p>	<p>⑫ Lower Pulley</p>  <p>2 Pcs</p>	<p>⑬ Guide Rail Decorative Cover</p>  <p>2 Pair</p>	<p>⑭ Guide Rail</p>  <p>2 Pcs</p>	<p>⑮ Decorative Cover Of The Positioning Block</p>  <p>2 Pcs</p>
<p>⑯ Guide Rail Fixing</p>  <p>2Pcs</p>	<p>⑰ Upper Pulley</p>  <p>2 Pcs</p>	<p>⑱ Magnetic Seal Strip</p>  <p>1 Pcs</p>	<p>⑲ Waterproof Seal Strip</p>  <p>1 Pcs</p>	<p>⑳ Fixed Glass Material</p>  <p>1 Pcs</p>

NOTE: Inspect all parts for missing prior to installation! Contact us for any part missing.



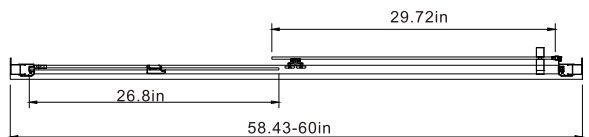
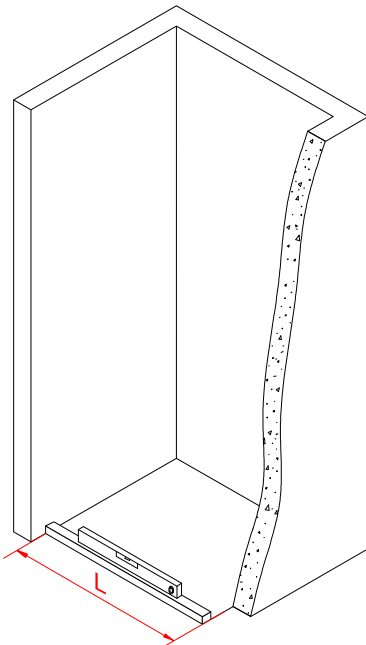
NOTE: Our shower door is affixed with explosion-proof film. Please install the side with the explosion-proof film prompt inside the shower room.



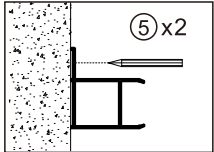
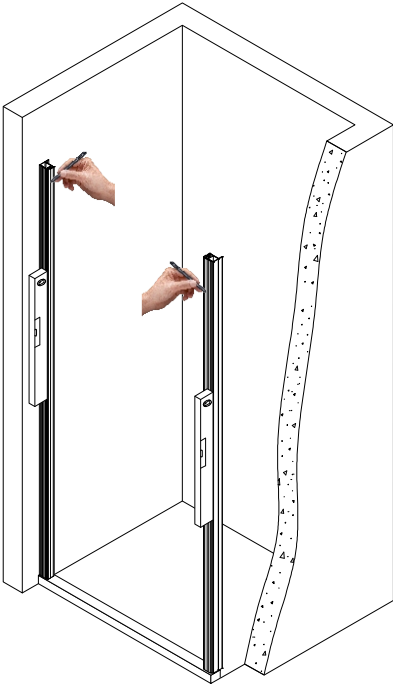
Step1:

Measure dimensions and drill holes.

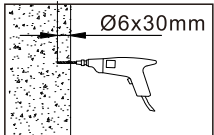
Measure the size L of the bathroom to see if it matches the product size.



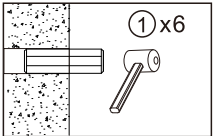
Step2: Measure dimensions and drill holes.



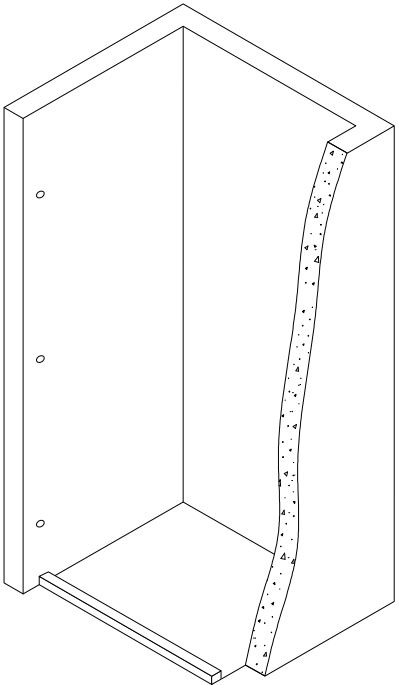
Place the wall jambs ⑤x2 on both sides of the wall, adjust the level, and draw against the hole marks.



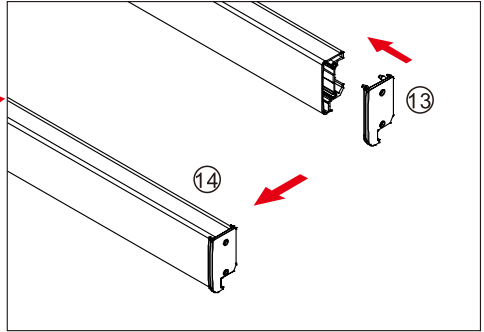
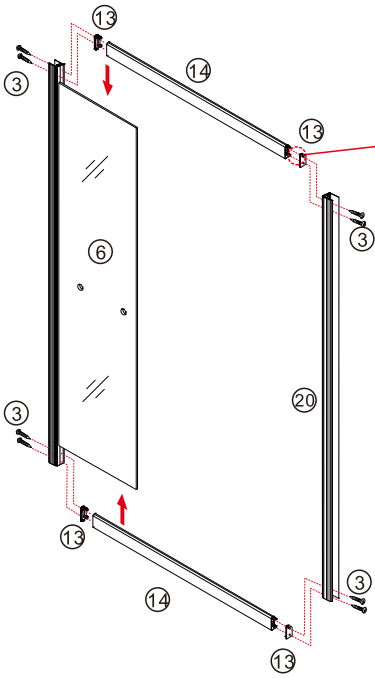
Use a Ø6x30mm drill bit to drill the hole.



Knock the wall anchor ①x6 into the hole.

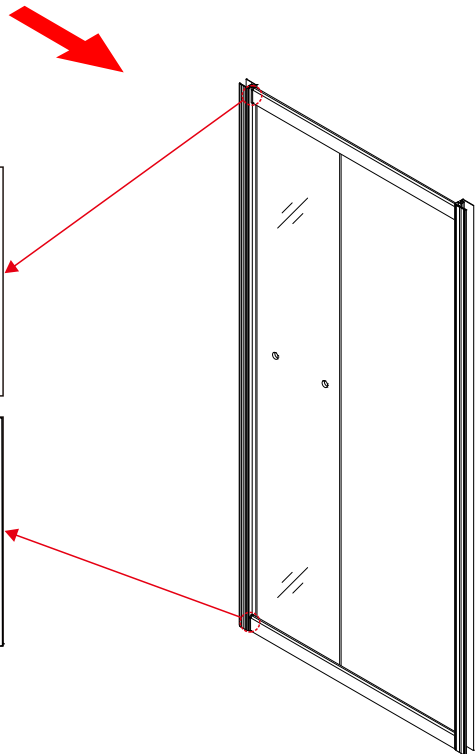
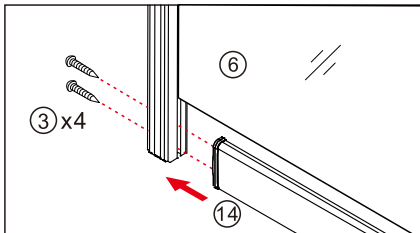
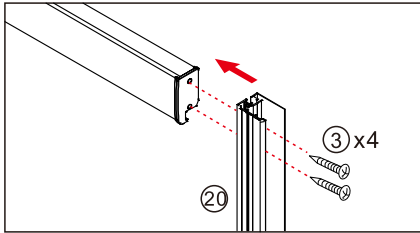


Step3: Install the entire frame.

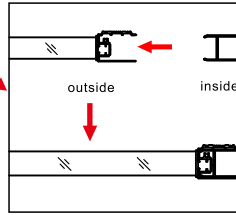
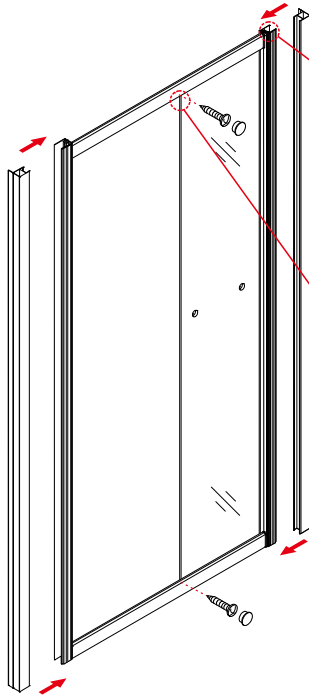


Install the guide rail decorative covers ⑬ x4
(There is a distinction between left and right)
onto the guide rails ⑭ x2.

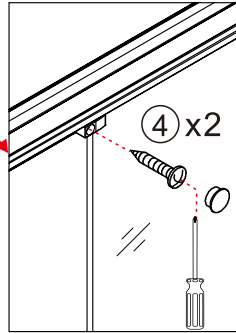
Lock the fixed panel ⑥x1, fixed glass material ⑳x1 and guide rails ⑭x2 with ST4x30 metric screw ③x4.



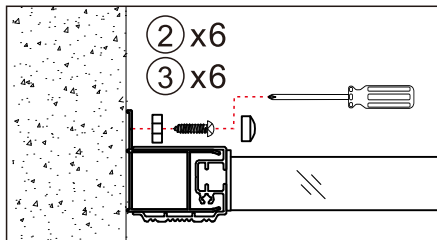
Step4: Install the entire frame into the shower room.



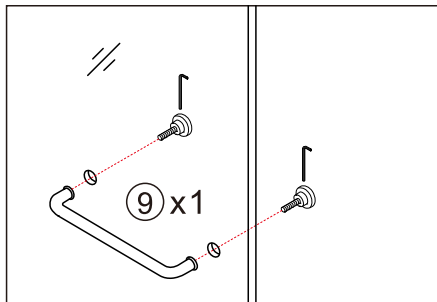
Lock the fixed panel ⑥x1 into the wall jambs ⑤x2. (Pay attention to the side with the red label facing inward)



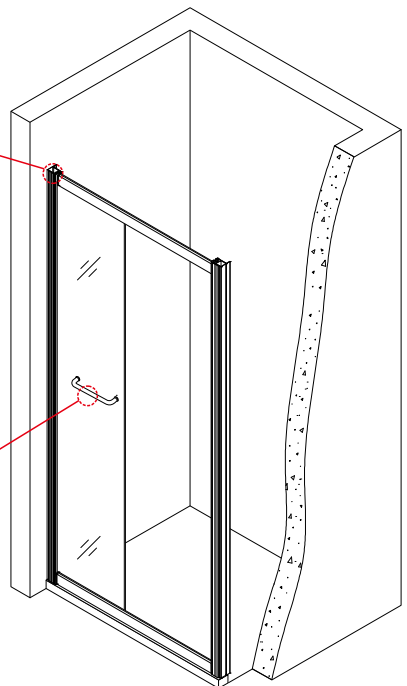
Lock the guide rail fixings ⑩x2 and ST4x12 metric screws ④x2, adjust the level.



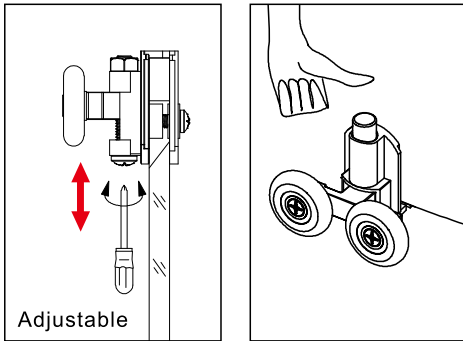
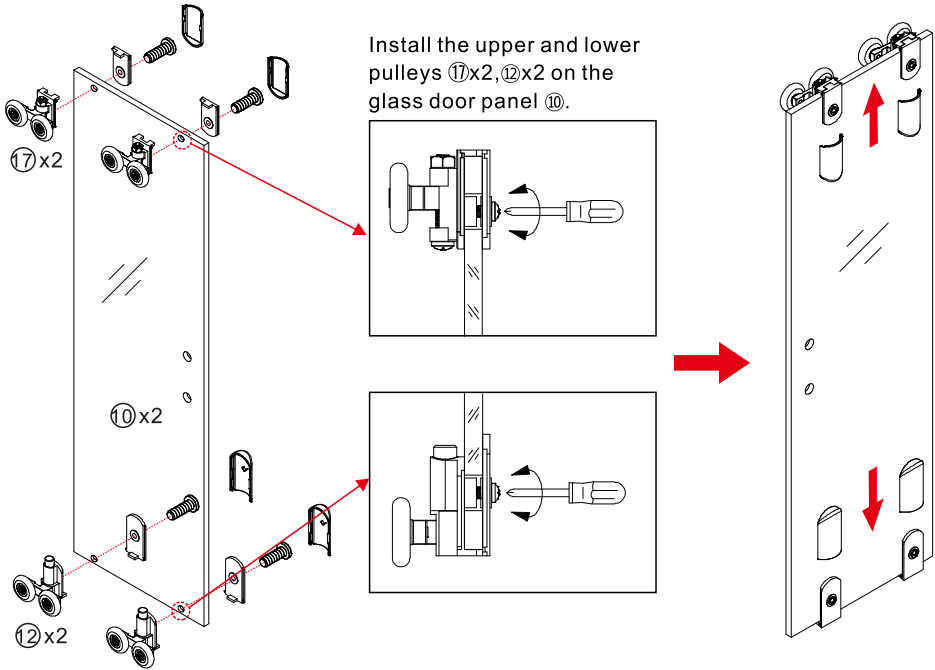
Then put the entire frame into the shower room according to the holes in step 1, then tighten the decorative cover ②x6 and ST4x30 metric screws ③x6.



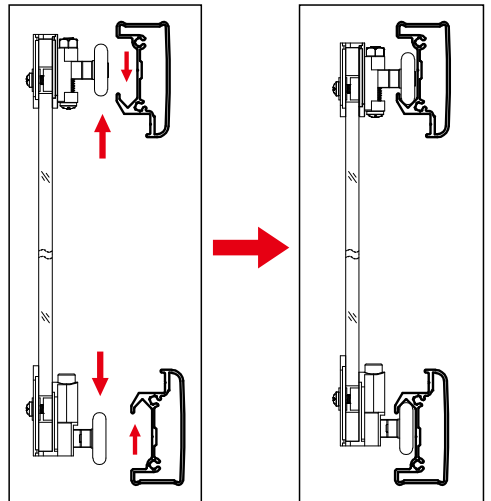
Install the round pipe single-head handle ⑨x1.



Step5: Install pulleys into glass door panel, and hang it in the rail.

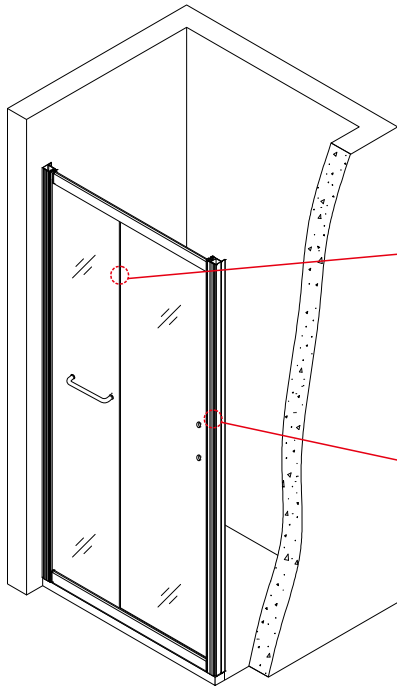


Lift the glass and place the upper pulleys ⑰x2 inside the upper guide rail, then put the lower pulleys ⑫x2 on the lower guide rail, and install the cover. Move the door to test whether it fits properly. (Note that the upper double pulleys can be adjusted up and down, and the lower double bounce pulleys can be pressed down.)

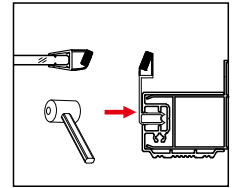
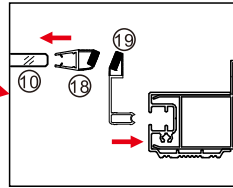
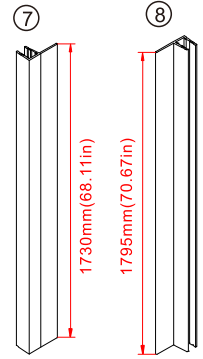
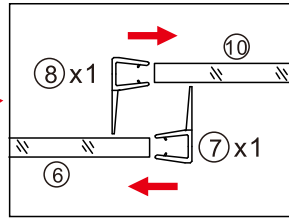


NOTE: During installation, place soft cloth or pearl cotton under the door glass to protect the glass.

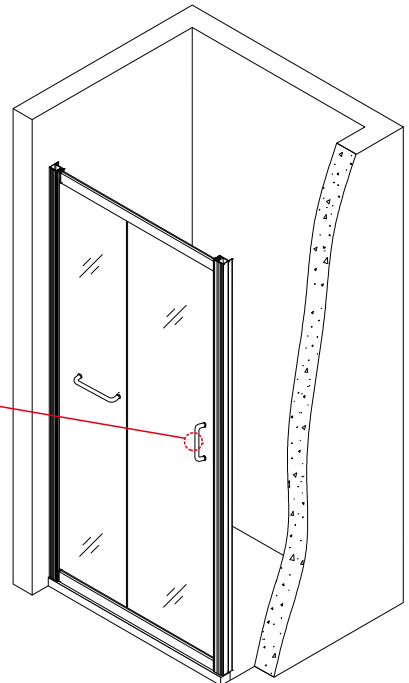
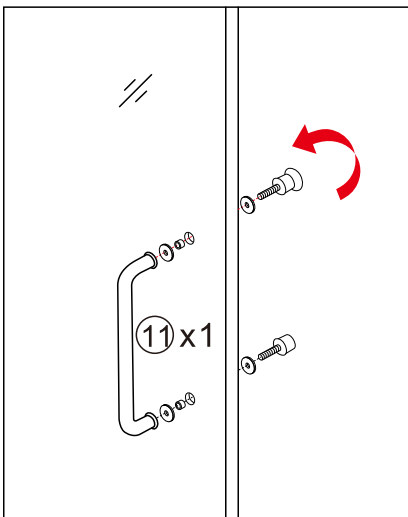
Step6: Install waterproof strips and handles.



Clip the fixed panel side water-blocking strip ⑧x1 into the glass door panel ⑩.
Clip the side seal strip ⑦x1 into the fixed panel ⑥.

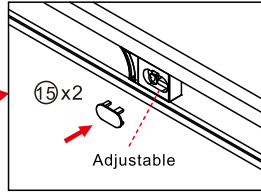
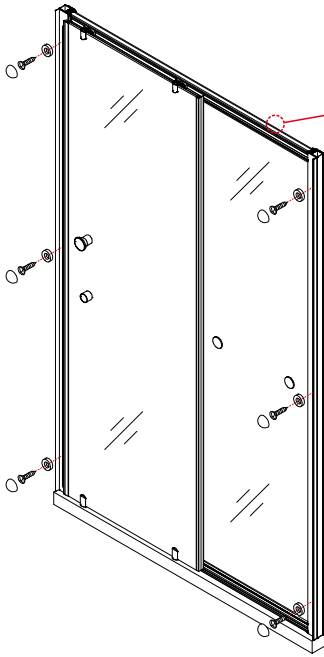


Clip the magnetic seal strip ⑱x1 into the glass door panel ⑩x1, Insert ⑲x1 and tap it tightly with rubber hammer.

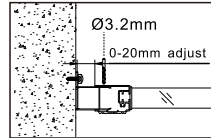


Install the glass door panel handle ⑪ x1.

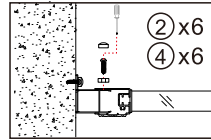
Step7: Fix and install decorative cover.



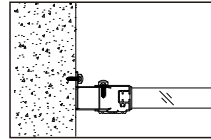
Cover the decorative cover of the positioning block 15 x 2, adjust the width and lock it.



Use a $\varnothing 3.2\text{mm}$ drill bit to drill holes.



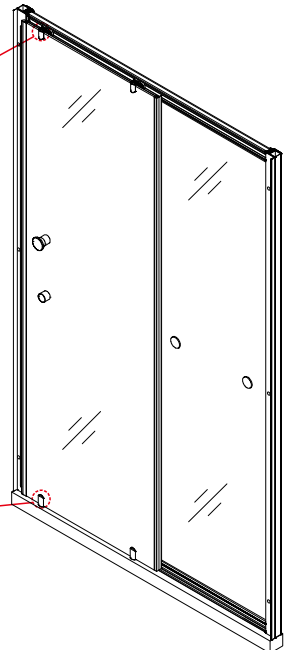
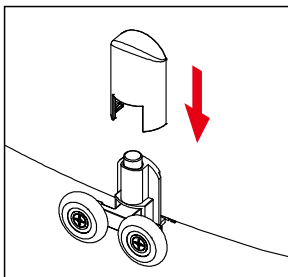
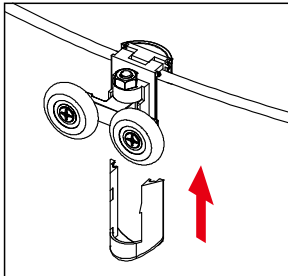
Lock 2 x 6 and 4 x 6 into the holes.



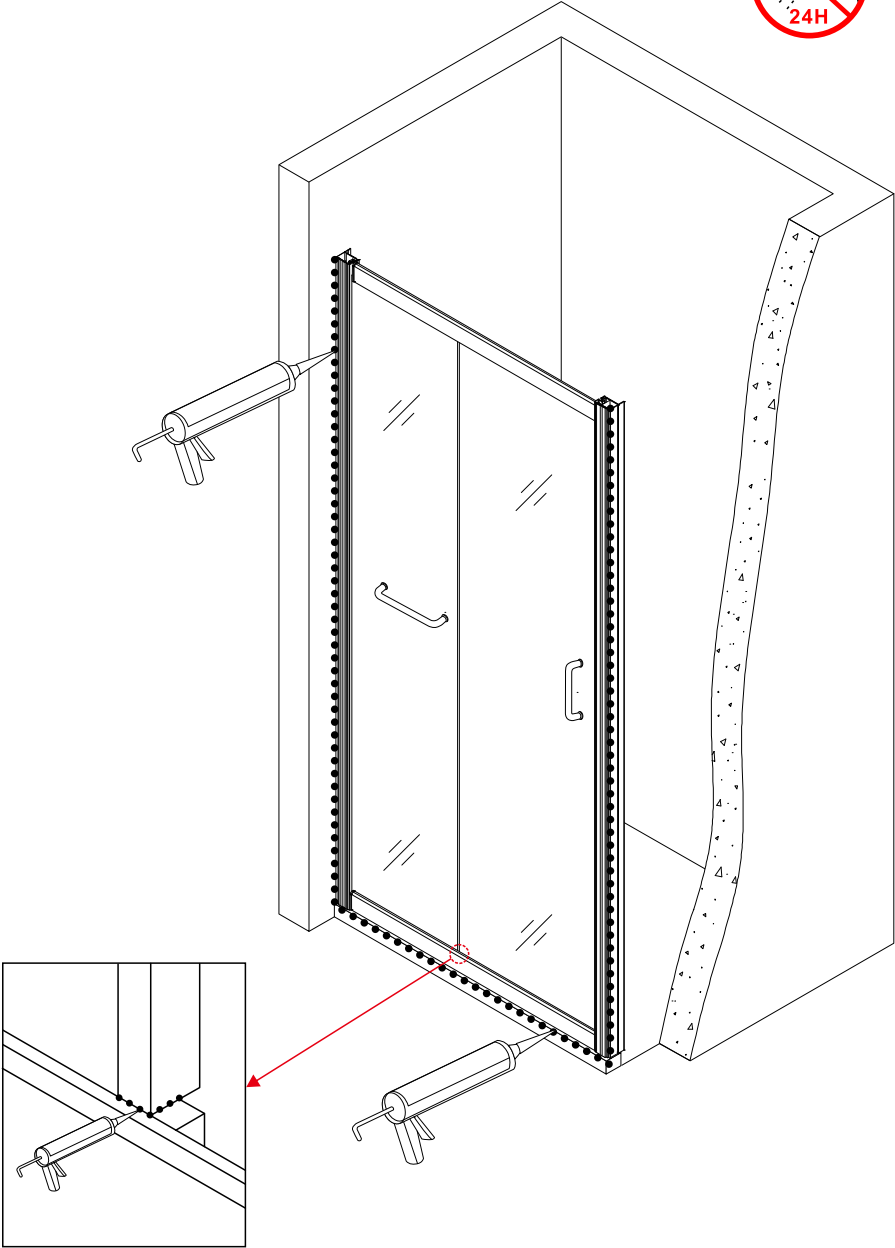
Close the lid.



Lock the upper and lower pulley decorative covers.



Step8:Apply 100% silicone sealant along the wall jambs inside and outside the shower, and apply along the threshold outside the shower. Do not use the shower door within 24 hours.



NOTE: Do not use the shower enclosure for 24 hours after installation and do not use corrosive cleaning products or abrasive materials when cleaning the shower enclosure.

SHOWER DOOR MAINTENANCE MANUAL

Cleaning:

1. When cleaning the frame, glass and hardware accessories of the shower door, please use a soft cloth. If there is slight dirt, please use a soft cloth or sponge dipped in "neutral detergent" for cleaning. After removing the stubborn dirt, please rinse with plenty of water to prevent the cleaning agent from remaining on the surface of the shower door and causing corrosion damage.
2. When using the special detergent and cleaning agent for bathroom, please be sure to use it correctly according to the precautions described in the detergent. Incorrect use will cause the product to have some bad conditions, such as paint peeling, color fading, rust, tarnishing, etc.
3. Do not use the following items for cleaning: acid, alkaline solvents, medicines (such as hydrochloric acid), solvents containing bleach, acetone diluent, detergent powder, toilet cleaner, etc, otherwise the product will be damaged. There are some bad conditions, such as paint peeling, discoloration, rust, tarnishing, etc.
4. The cleaning items that can be used for the product are: soft cloth, toothbrush, neutral detergent, a mixture of diluted vinegar and salt. Note: any cleaning agent will have a certain impact on the surface of the product, so use caution. Rinse with clean water in time to prevent damage to the surface caused by the residual detergent.

How to use and maintain the pulley of the shower door:

1. Avoid hitting the movable door with force, so as not to cause the movable door to fall off.
2. Pay attention to regularly clean the slide rails, pulleys and sliders, and add lubricant (lubricating oil or lubricating wax).
3. Regularly adjust the fixing screws of the pulley to ensure the effective bearing and good sliding of the pulley on the movable door.

Maintenance of tempered glass:

1. Do not hit or hit the glass surface with sharp objects to avoid damage.
2. Do not wipe the glass surface with rough objects to avoid scratches.
3. After using for a period of time, the glass will remain dirt, remove the dirt on the glass. you can use a mixture of cool and salt to wash with a toothbrush, you can remove the stains. Pay attention to rinse with clean water in time after use.

THANK YOU FOR SHOPPING WITH US!



Email: servicefast1@outlook.com

**PLEASE DO NOT RETURN TO STORE!
PLEASE CHECK ALL THE ACCESSORIES
BEFORE INSTALLATION.**

Tips: If there is any questions for the products, please feel free to contact us. We will solve it at the first time.

For quick and better to solve problem for you, Required information is a MUST:

1. Where you buy
2. PO Number/Tracking number
3. SKU Number
4. Problem to Clarify
5. Picture/Video



Bring Better Life for You!

Email:servicefast1@outlook.com