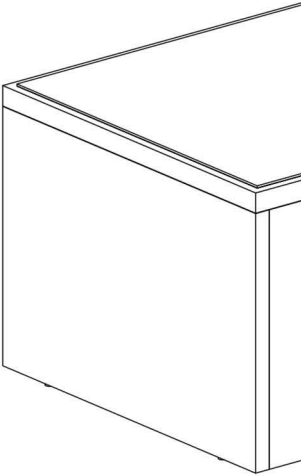


Owner Manual



WARRANTY

We strive to offer high quality product and we also try our best to satisfy each customer that order from us, no matter on products or services as needed. Each customer receives a record of their order, such as the order number or item receipt. For any items that are out of warranty period, you may still be able to purchase the replacement parts from our company if they are available.



MAINTENANCE AND WARNING

Please read the manual thoroughly
before you start installing.

Please keep the product away from
sharp object.

Packaging and small parts may have
chocking hazard, please keep them away
from children and pets.

Please clean the product according to each
clean code, check the product description
for more information.

Please keep the product away from
fire.

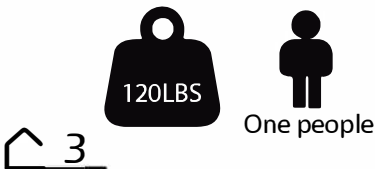
If you have any other questions, please
contact us, we will be glad to help you out.

If the product is placed under direct
sunlight, the pattern or color might fade
away overtime.

Check the product periodically to make
sure everything is secured and tightened.

Always use proper tools for installation.

Do not jump on the product.



Around 15 min

PRODUCT DESCRIPTION

Weather-Resistant Wicker:
High-quality PE Wicker resists outdoor elements while providing a natural and inviting look.

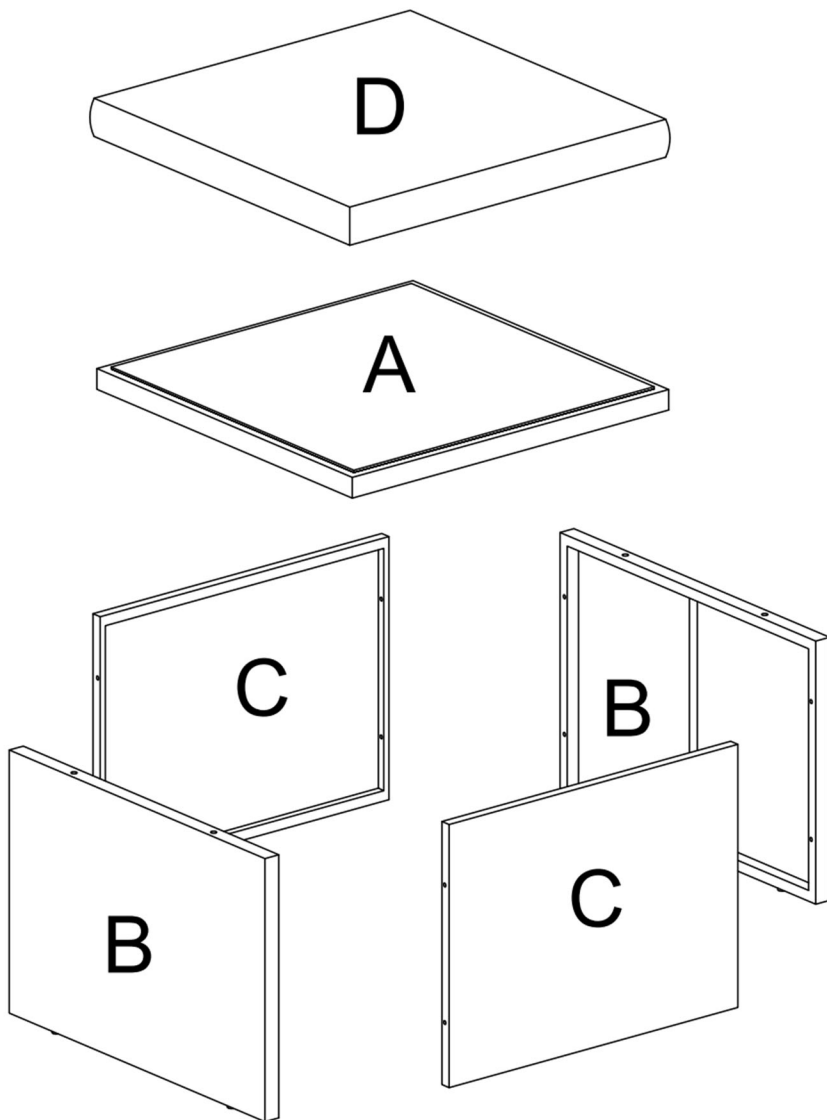
Powder-Coated Steel Frame:
Ensures structural integrity, preventing rust and deterioration for long-term outdoor performance.

Waterproof Cushion: Protective cotton-blend fabric keeps the inner padding dry and comfortable for consistent use.

Single-Module Strength: Supports 264 lbs, making it a versatile option for sitting, lounging, or combining with other furniture.

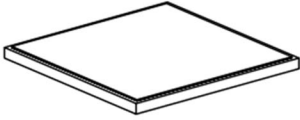
Elegant Outdoor Accent: The ottoman's modern design fits seamlessly with any patio or garden décor, enhancing both style and function.

EXPLODED VIEW



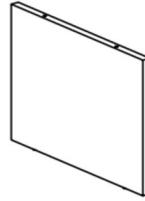
PARTS

A*2



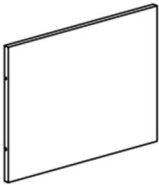
Ottoman top

B*4



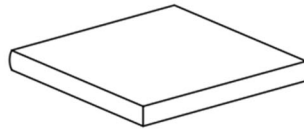
Side frames

C*4



Side frames

D*2



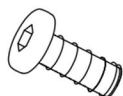
Seat cushion

HARDWARE

TOOL LIST

NOTE: Designated with (★) We provide additional spare parts in the hardware package

①*24



M6*35mm
Bolt

②*24



Flat washer

③*1

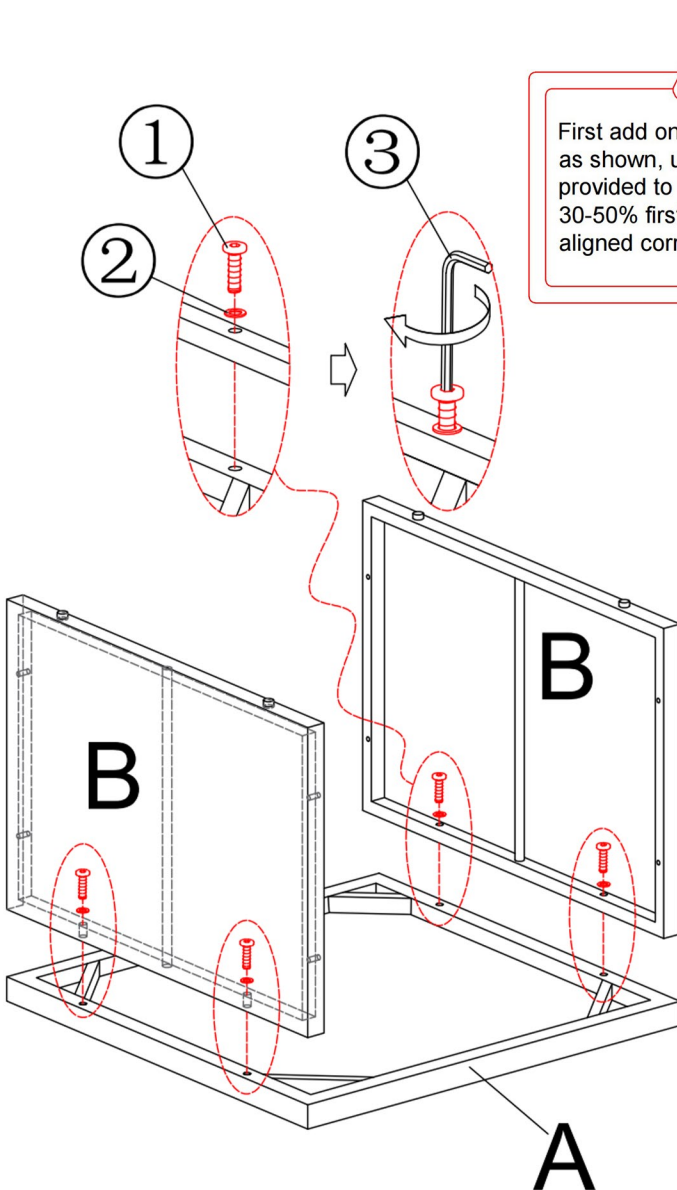


Allen key

Please make sure all hardware & packing material fitting the list. Especially some small accessories may be missing during transportation. Please contact us if you have any question.

step 1 –Side Frame to the Ottoman Top

Place the ottoman top flat on the ground as shown, and align the pre-drilled bolt holes on side frames (B), use the allen wrench provided to tighten the bolts and flat washers.

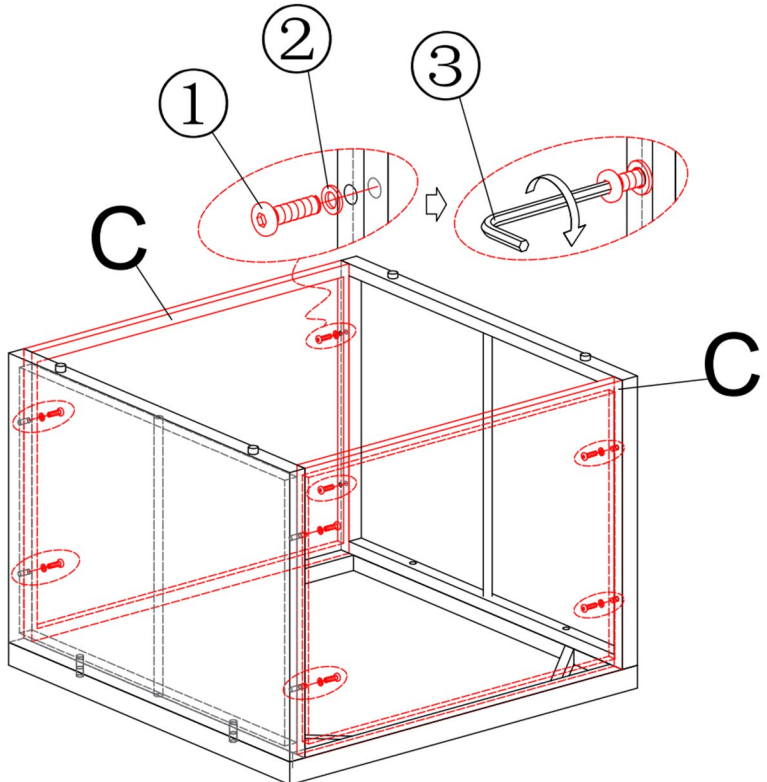


step 2 –Connect the Side Frames

Connect the other two side frames (C) to the side frames (B) as shown, make sure the bolt holes on each frames are correctly aligned, then use the allen wrench provided to tighten the bolts and flat washers.



First add one flat washer on each bolt as shown, use the allen wrench provided to tighten all the bolts by 30-50% first, make sure that all bolts are aligned correctly before fully tightening.



step 3 –Ottoman Cushion

Flip over the ottoman, and place it on the ground, then place the cushion on the top as shown.

