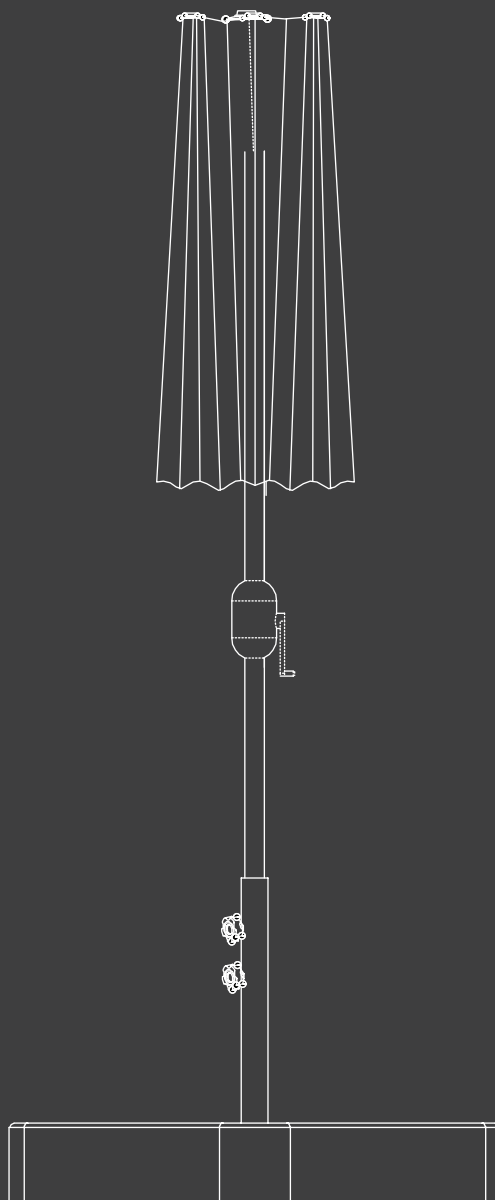


Large Outdoor Umbrella

Instruction Manual



Notice

Please retain these instructions for future reference.

- For residential use only.
- The umbrella must be securely anchored to the base using weights of at least 132 lbs or bolted to the ground. Ensure the ground is level and firm. Do not assemble the umbrella on sandy, muddy, or loose soil.
- Place the umbrella on a stable, level surface.
- Do not use the umbrella in inclement weather, such as snow, heavy rain, thunderstorms, or strong winds.
- Firmly secure all bolts, screws and knobs before use.
- Always remove the umbrella from its base when not in use.
- Be aware that some parts are heavy and may have sharp edges.
- If the crank becomes difficult to turn, check if the rope has come off the pulley. Continuing to turn the crank could break the rope or crank handle.
- Children must be supervised around the umbrella. Keep children and pets away while setting up the umbrella.
- If any parts are missing, broken, damaged, or worn, stop using this product until repairs are made or factory replacement parts are installed.
- Do not use this item in any way inconsistent with the manufacturer's instructions, as this may void the product warranty.

Storage

- Close the canopy when the umbrella is not in use.
- Store it in a dry, sheltered area, away from the weather.
- If necessary, cover it with a furniture cover or tarp.

Cleaning

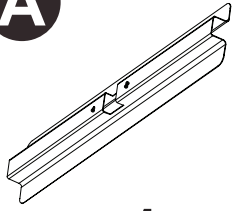
- Wipe clean with mild detergent, warm water, and a soft cloth.
- Do not use abrasive materials or cleaners.

Before First Use

- Hold umbrella canopy **K** upside down and shake gently to separate the umbrella ribs. If necessary, carefully pull the ribs apart to free them.
- Slowly turn the crank to open the umbrella. Ensure that the ribs are not stuck together.

Component List

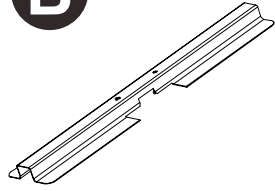
A



x1

Bottom Cross Bar

B



x1

Top Cross Bar

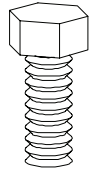
C



x1

Base Pole

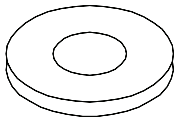
D



x4

Bolt
M8x20

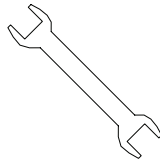
E



x4

Washer

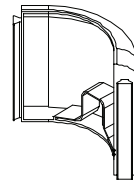
F



x1

Wrench

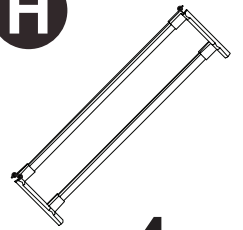
G



x4

Frame Corner

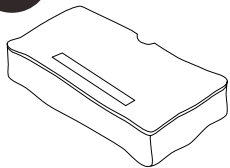
H



x4

Frame Bracket

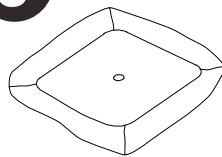
I



x2

Sandbag

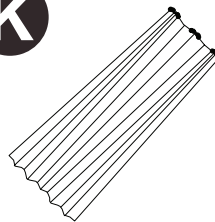
J



x1

Cover

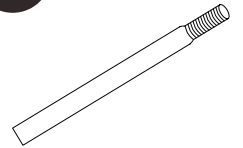
K



x1

Umbrella Canopy

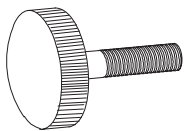
L



x1

Middle Pole

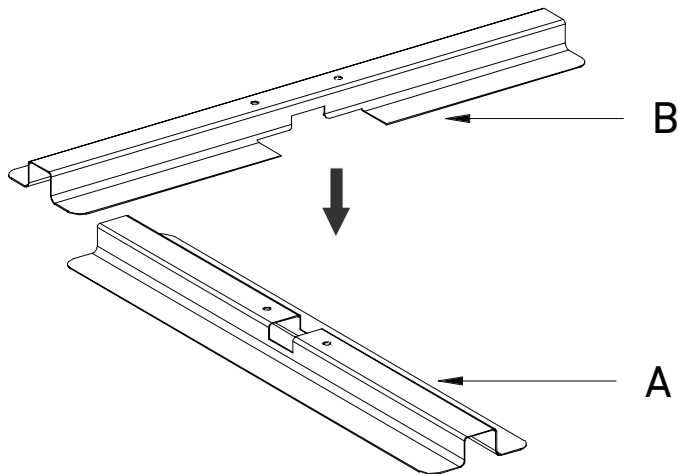
M



x2

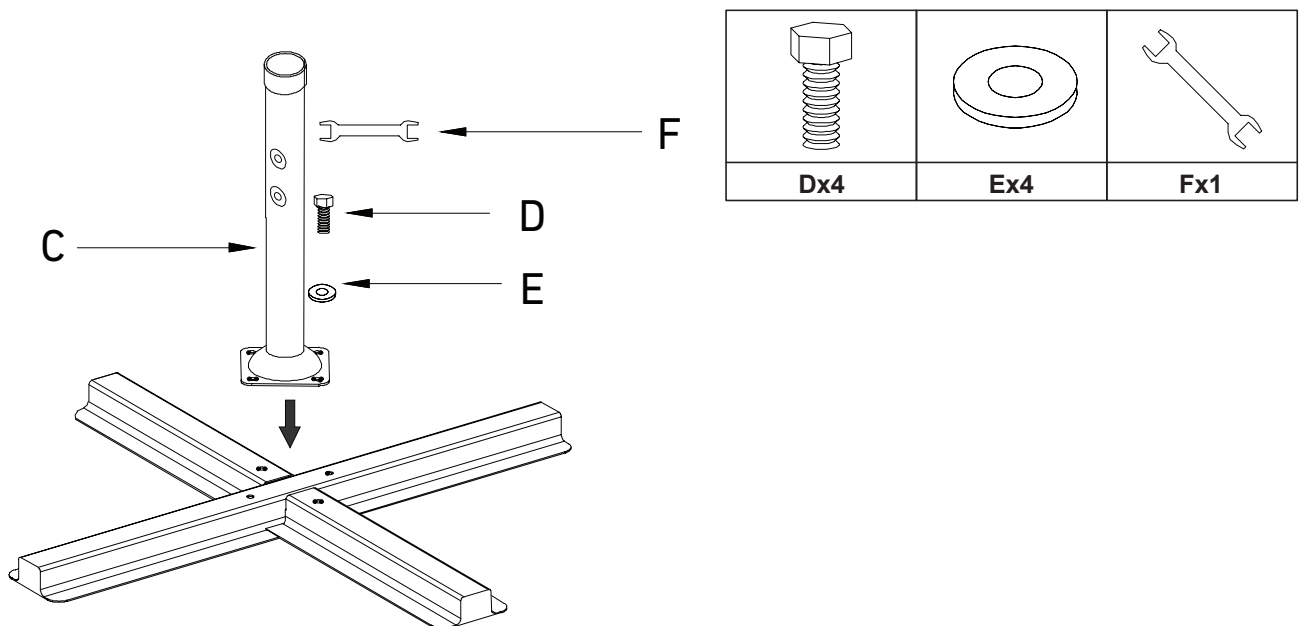
Locking Knob

Step 1



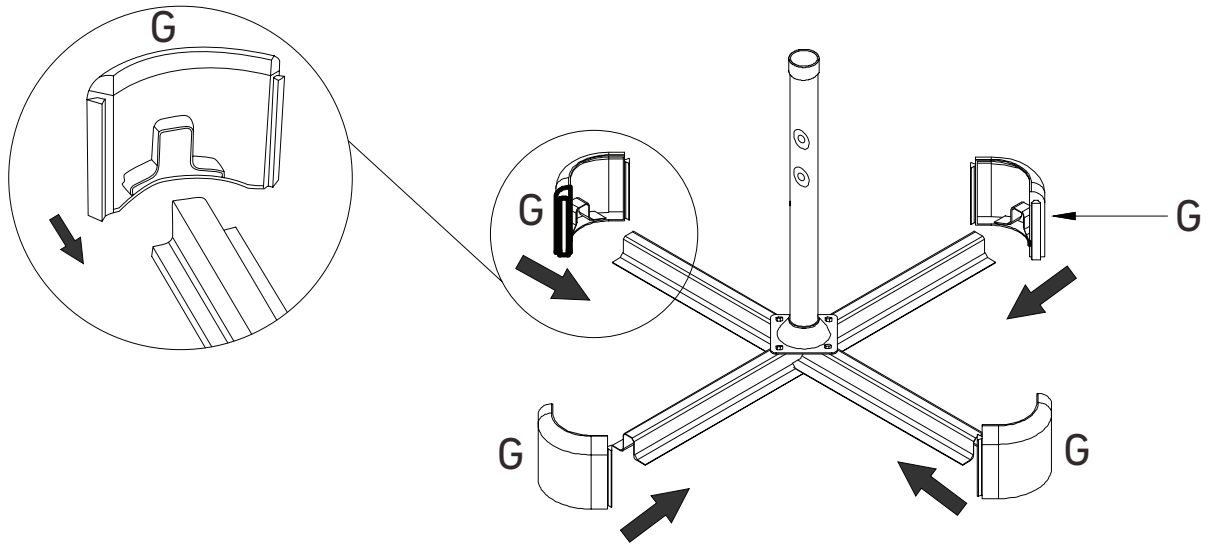
Insert the Top Cross Bar **B** into the Bottom Cross Bar **A**.

Step 2



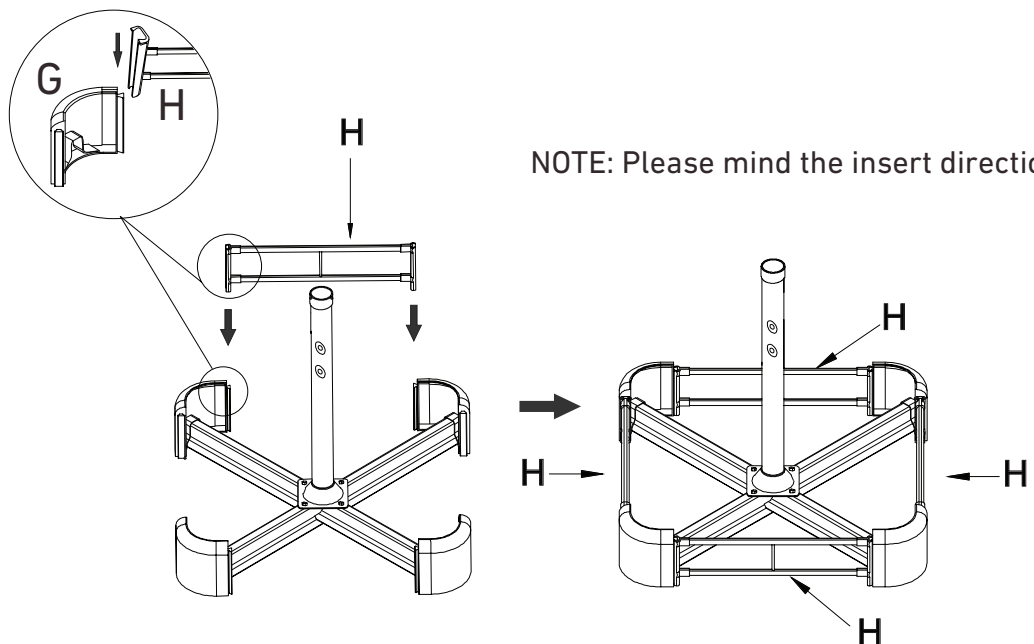
Use the Wrench **F** to attach the Base Pole **C** to the cross bars **A** and **B** with 4 screws **D** and 4 washers **E**.

Step 3



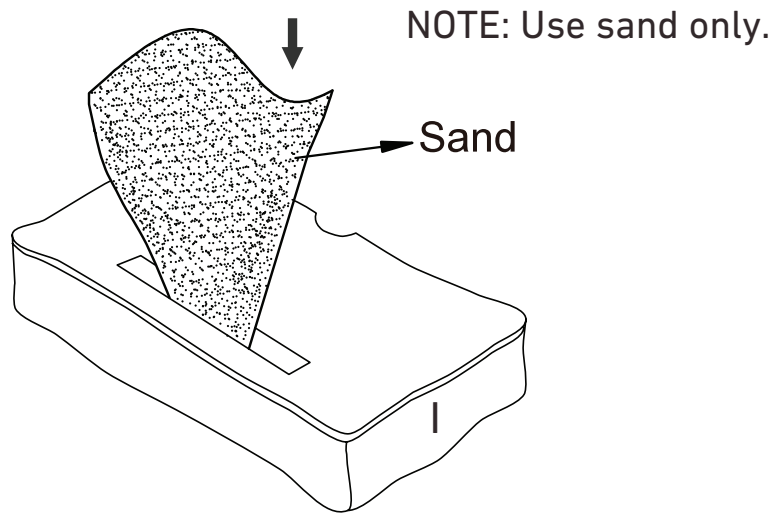
Attach the Frame Corners **G** to the ends of cross bars **A** and **B** by aligning them with the grooves.

Step 4



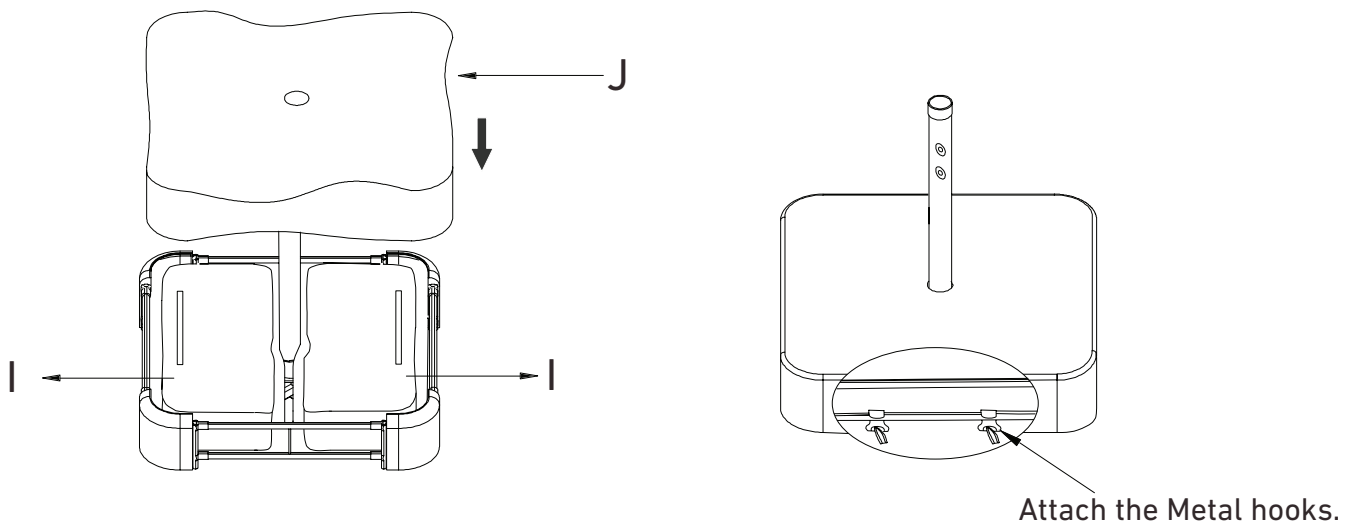
Insert the Frame Brackets **H** vertically into Frame Corners **G**, aligning them with the grooves.

Step 5



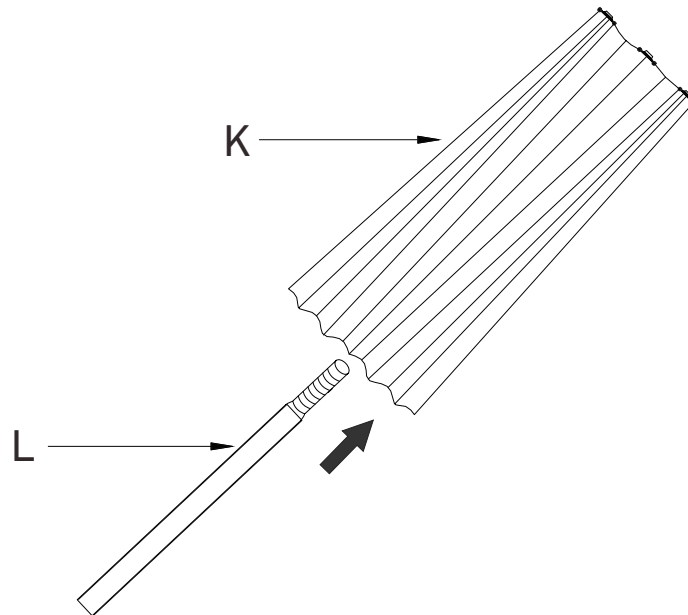
Fill sand into Sandbags **I**.

Step 6



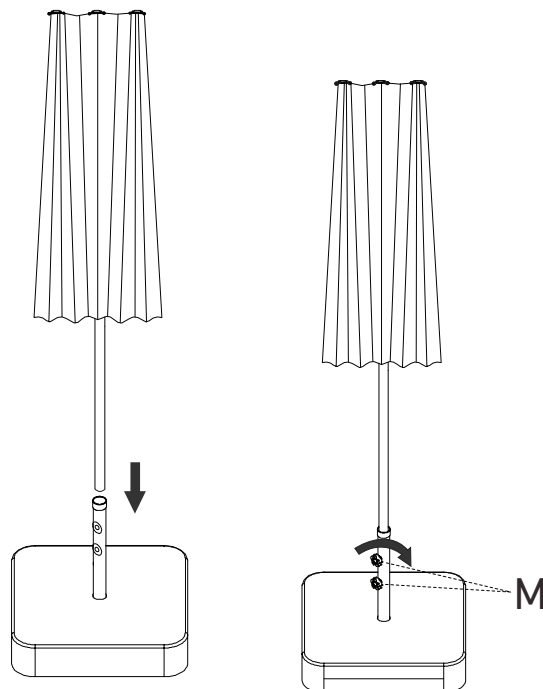
Place the Cover **J** onto the base and hook its metal hooks onto Frame Bracket **H**.

Step 7



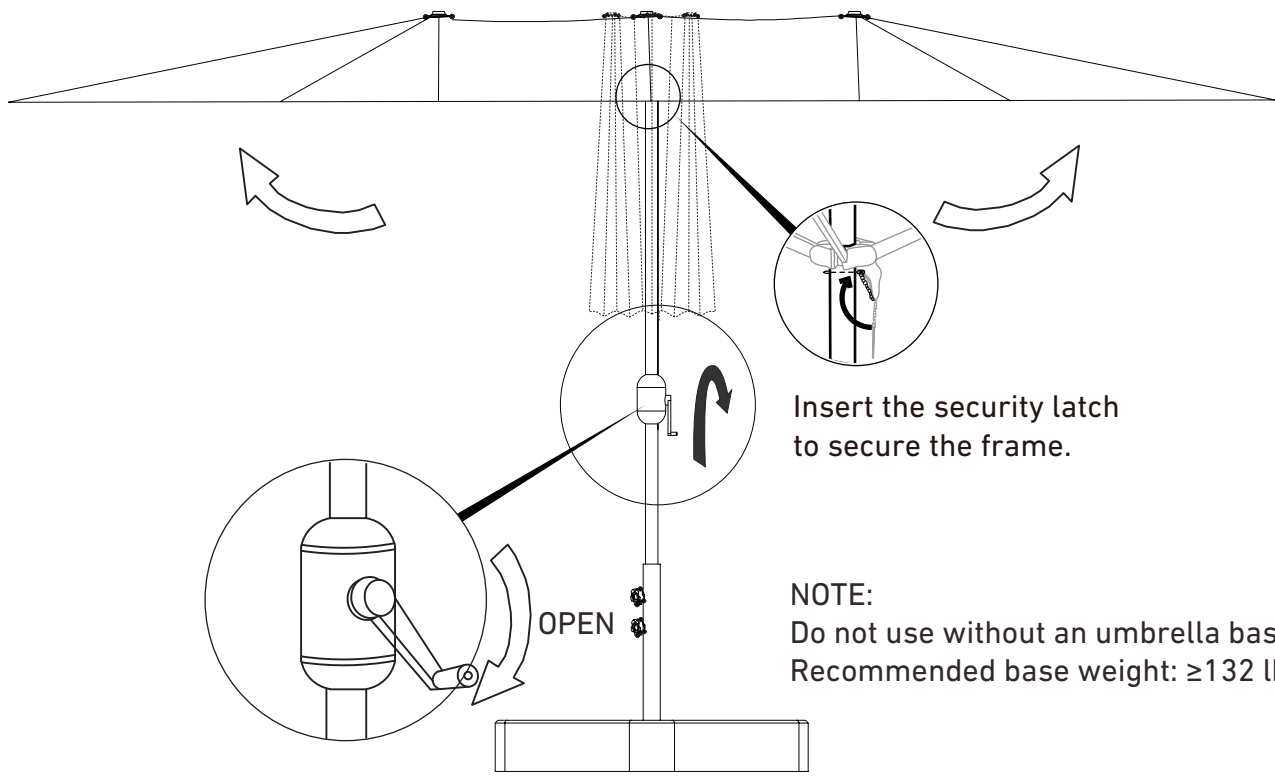
Screwing the threaded end of the Middle Pole **L** into the Umbrella Canopy **K**.

Step 8



Insert the umbrella into the base and secure it using the Locking Knobs **M**.

Step 9

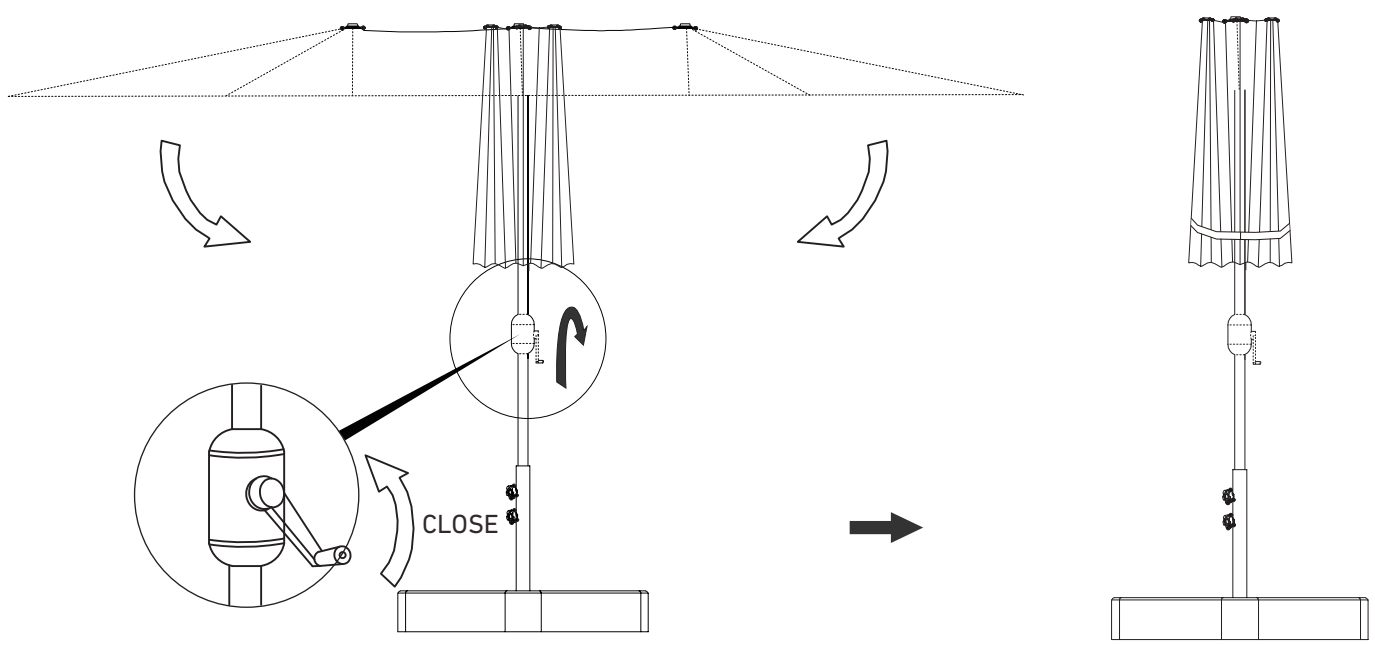


Insert the security latch to secure the frame.

NOTE:
Do not use without an umbrella base.
Recommended base weight: ≥ 132 lbs.

Slowly turn the crank to open the umbrella canopy. Insert the security latch to secure the frame.

Step 10



Slowly turn the crank to close the umbrella canopy. Gather the ribs and secure them with the umbrella straps.

