

CARE AND MAINTENANCE










Spot clean using a mild water-free solvent. Only a professional cleaner should undertake a complete overall cleaning.
The use of steam or water-based cleaners may cause excessive shrinking or staining.

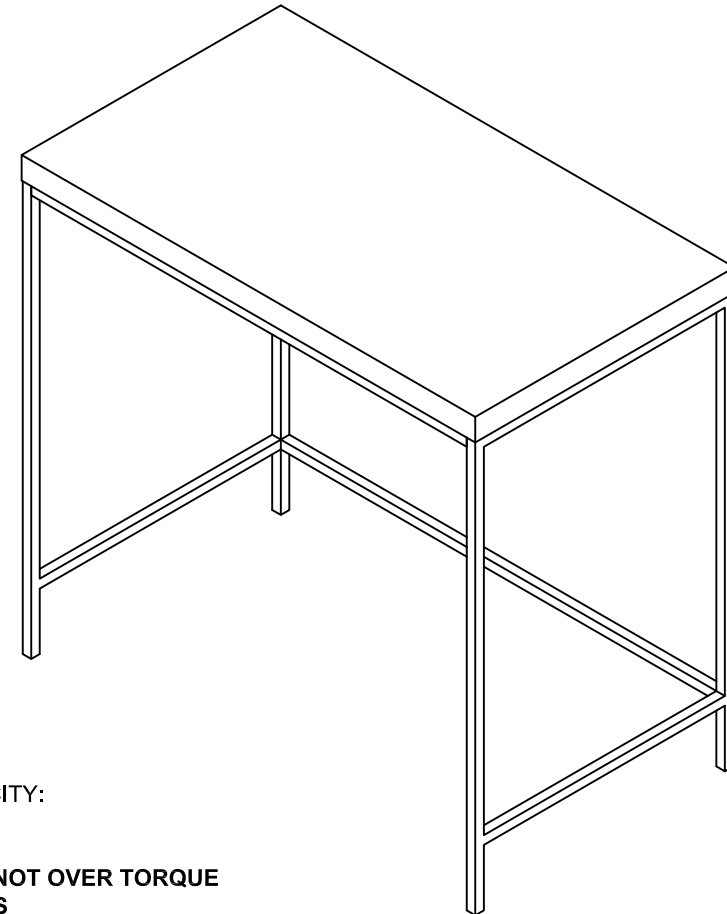
NOTICE

- * Please make sure that you have all parts indicated before you begin assembly of this item.
- * This item should be assembled on a soft surface to prevent scratching the finish during assembly.
- * This item may require periodic tightening.

Product Dimensions: 31 1/2" W x 18" D x 30" H

Part List and Hardware List

PIECE	DESCRIPTION	PICTURE	QUANTITY
A	TOP PANEL		1X
B	LEFT LEG FRAME		1X
C	RIGHT LEG FRAME		1X
D	STRETCHER		1X
1	25mm HEAD CAP BOLT	M6x25mm 	8X
2	15mm HEAD CAP BOLT	M6x15mm 	6X
3	SPRING WASHER		6X
4	ALLEN KEY		1X
5	1 1/4" ROUND HEAD SCREW	M4x32mm 	4X



WEIGHT CAPACITY:
TOP: 100 LBS

**WARNING: DO NOT OVER TORQUE
BOLTS/SCREWS**

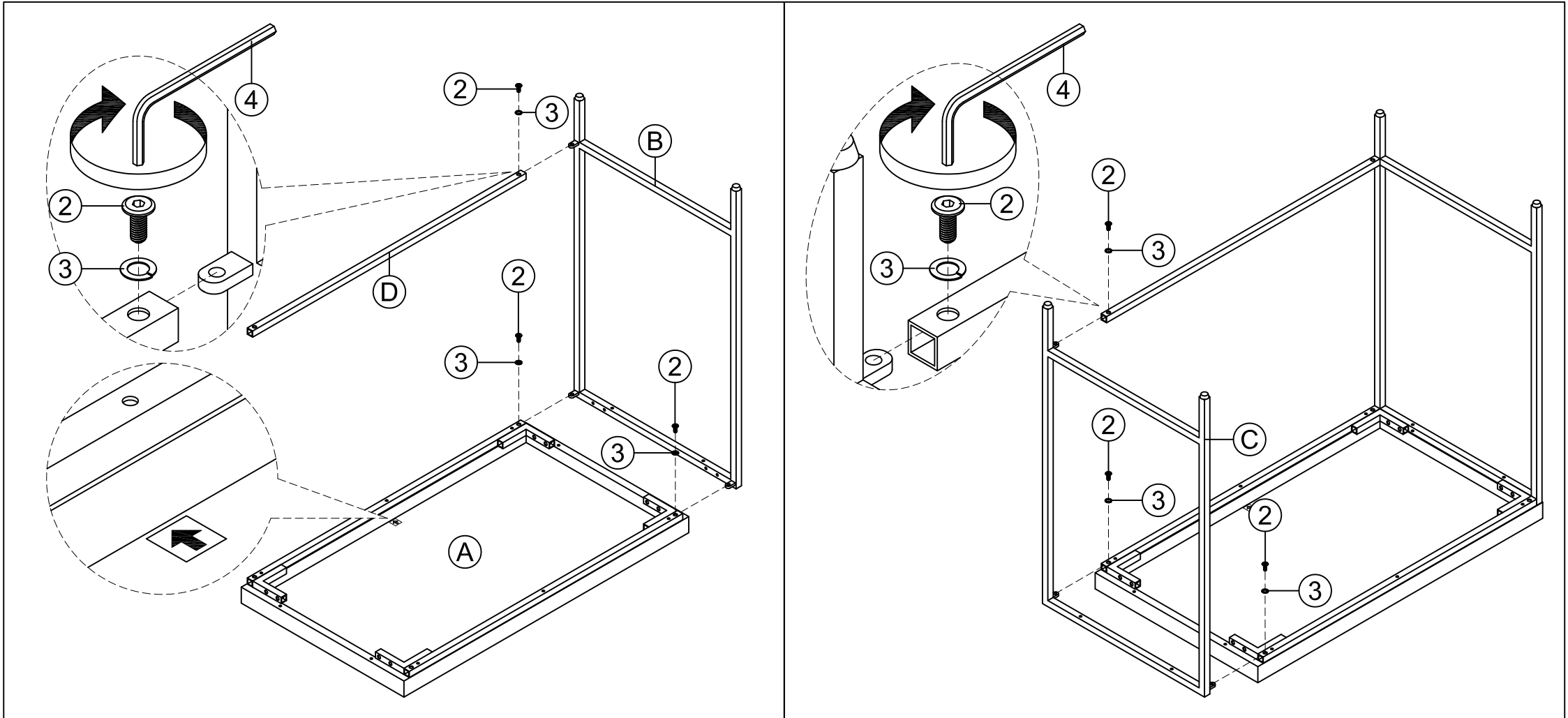
PREPARATION

Before beginning assembly of product, make sure all parts are present. Compare parts with package contents list and hardware contents list.

If any part is missing or damaged, do not attempt to assemble the product.

Estimated Assembly Time: 30 minutes.

Tools Required for Assembly : Phillips Screwdriver



STEP 1 ATTACH LEFT LEG FRAME TO TOP PANEL AND STRETCHER USING 15mm HEAD CAP BOLTS AND SPRING WASHERS.

NOTE: - TURN BOLTS USING ALLEN KEY ONLY HALFWAY THIS TIME.

- PAY ATTENTION TO THE POSITION OF THE ARROW LABEL IN THE TOP PANEL.

STEP 2 ATTACH RIGHT LEG FRAME TO UNIT USING 15mm HEAD CAP BOLTS AND SPRING WASHERS.

NOTE: TURN BOLTS USING ALLEN KEY ONLY HALFWAY THIS TIME.

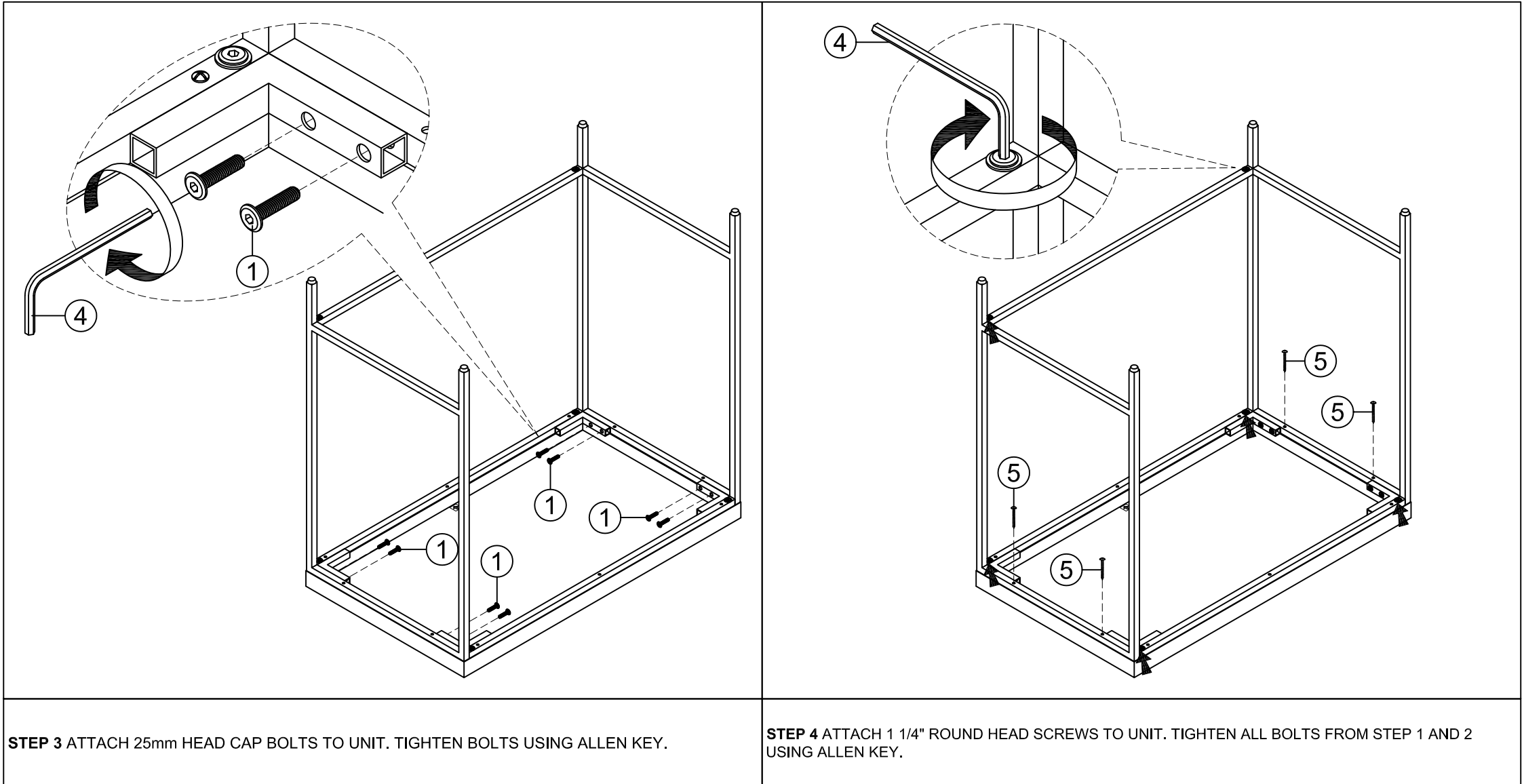
PREPARATION

Before beginning assembly of product, make sure all parts are present. Compare parts with package contents list and hardware contents list.

If any part is missing or damaged, do not attempt to assemble the product.

Estimated Assembly Time: 30 minutes.

Tools Required for Assembly : Phillips Screwdriver

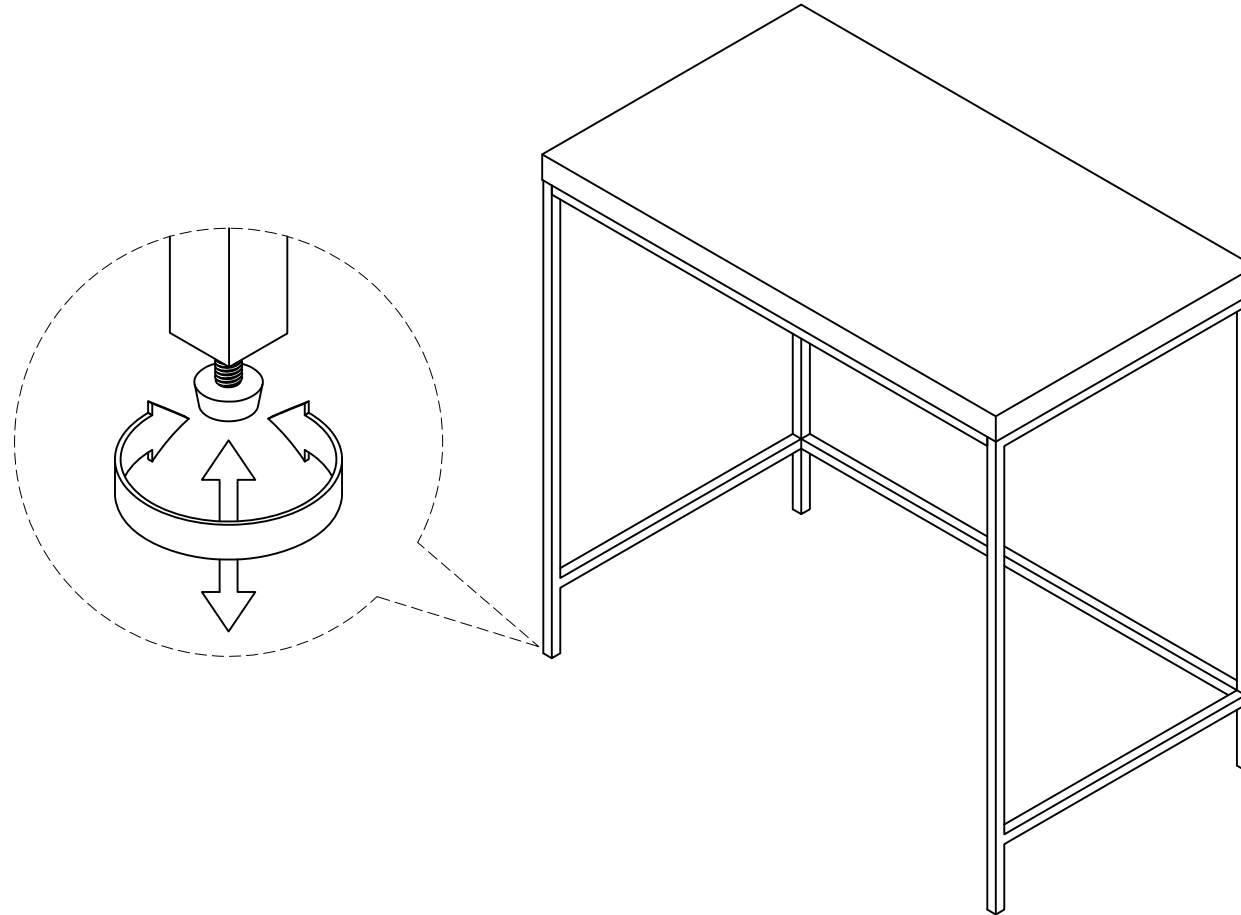


PREPARATION

Before beginning assembly of product, make sure all parts are present. Compare parts with package contents list and hardware contents list. If any part is missing or damaged, do not attempt to assemble the product.

Estimated Assembly Time: 30 minutes.

Tools Required for Assembly : Phillips Screwdriver



STEP 6 ADJUST THE ADJUSTER BOLT THAT HAS ALREADY ASSEMBLED TO THE LEGS TO STABILIZE YOUR UNIT