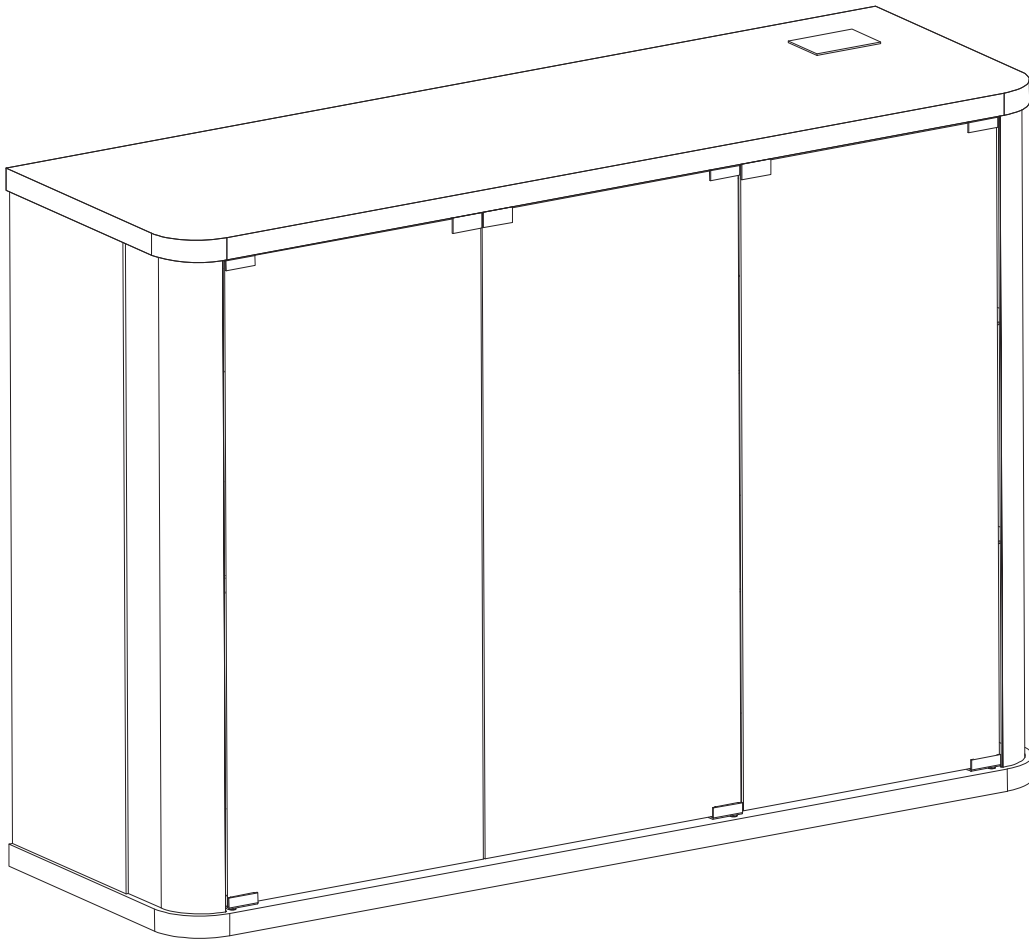
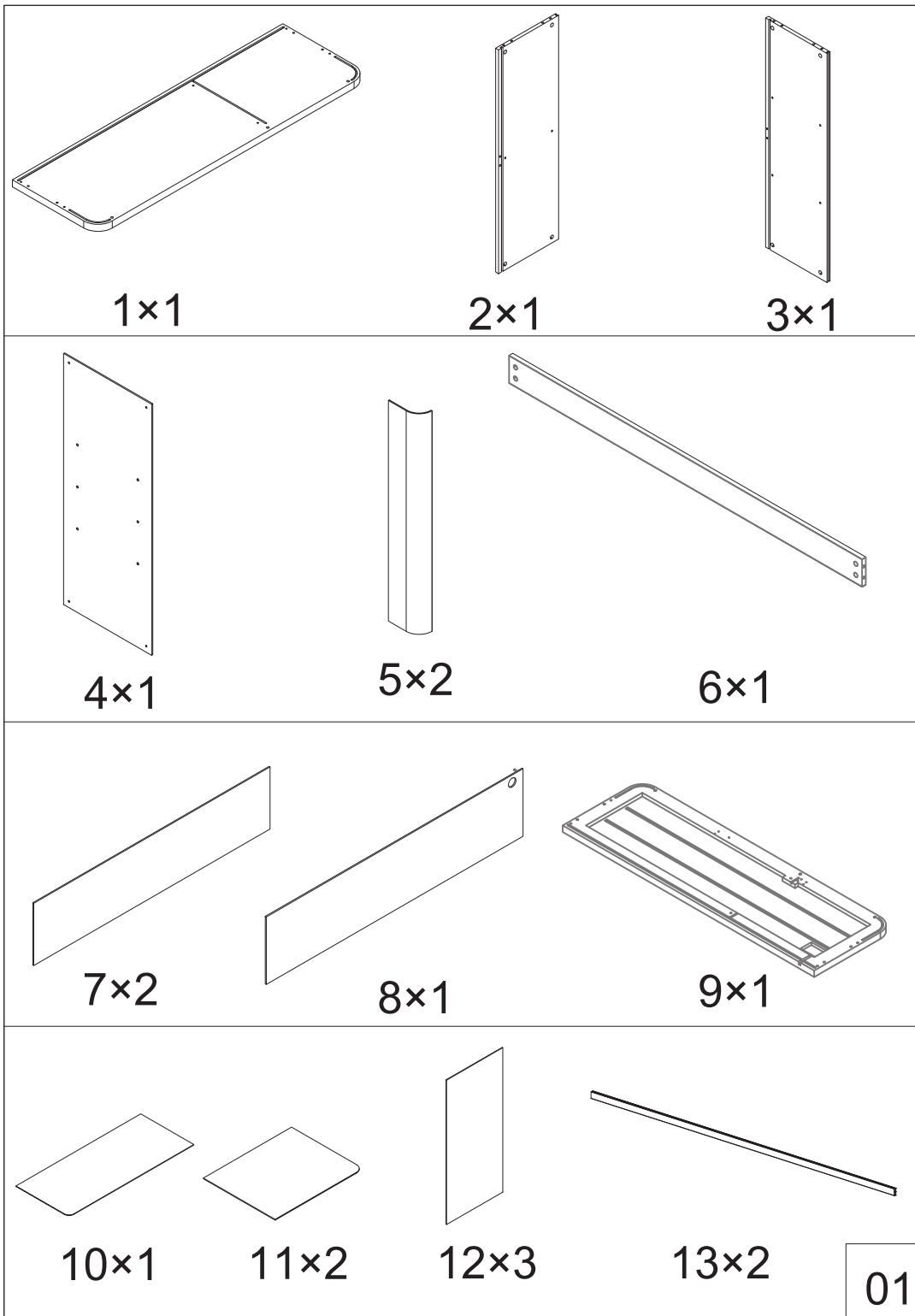




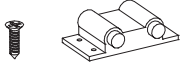

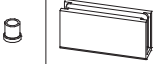
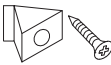
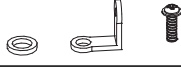


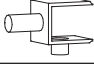

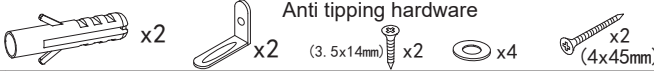




Product Installation Instructions

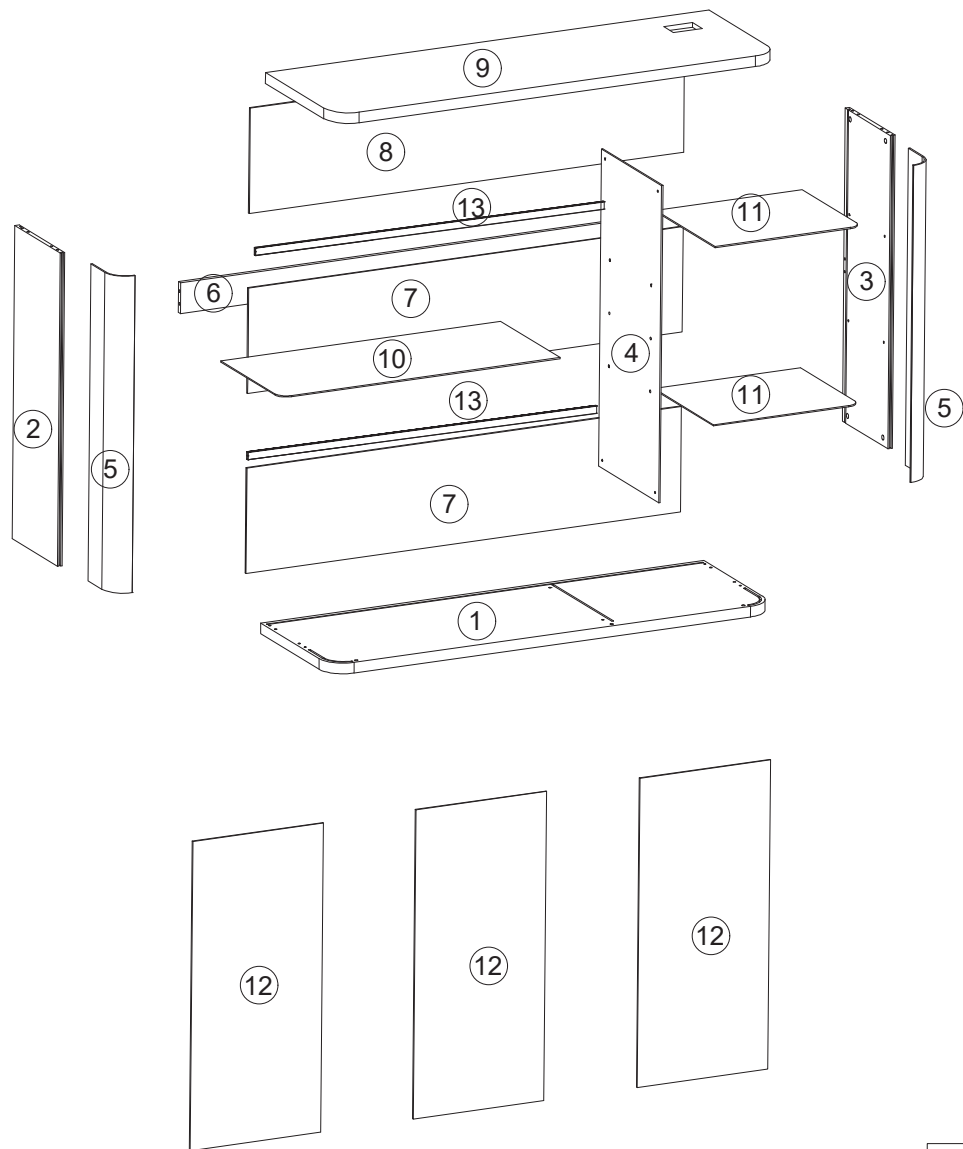




Accessories list

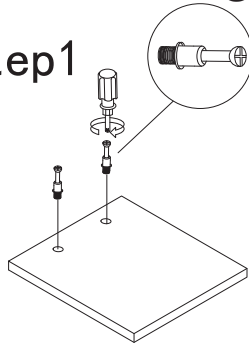
| | | | | | |
|---|--|---|----------------|------|------|
| A |  | Two In One Screw (6×28mm) | 12pcs +2pcs | | |
| B |  | Two In One Nut (10×12mm) | 12pcs +2pcs | | |
| C |  | Wood Chipping (6×30mm) | 8pcs | | |
| D |  | Hinge | 6pcs | | |
| |  | Rebound device & Screw (3×16mm) | 4pcs +1pcs | 1pcs | |
| |  | Rebound device & Screw (3×16mm) | 4pcs +1pcs | 1pcs | |
| |  | Iron sheet | 6pcs | 3pcs | |
| E |  | Fixing Clip & Screw (3×16mm) | 10pcs | | |
| F |  | Corner Bracket & Screw (4×8mm) | 4pcs | 4pcs | 8pcs |
| G |  | Laminate Support Nail Screw (6×16mm) | 6pcs | | |
| H |  | AC/DC Adapter (12V 3.0A) | 1pcs | | |
| I |  | Class clip fastening | 6pcs | | |
| J |  | Foot pads (36×36mm) | 6pcs | | |
| K |  Anti tipping hardware (3.5x14mm) x2 (4x45mm) x2 x4 | | | | |
| L |  | Wire Clamp | 2pcs | | |
|  1pcs Double-head screwdriver, use as required | | | | | |

Product structure decomposition

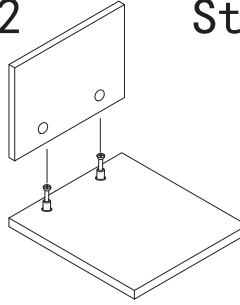


Use parts A and B

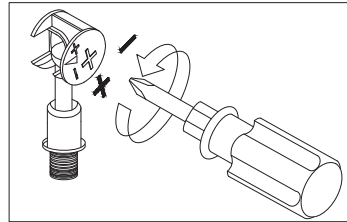
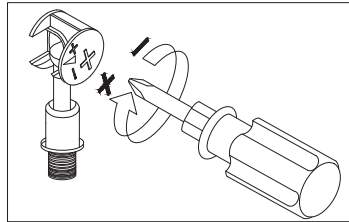
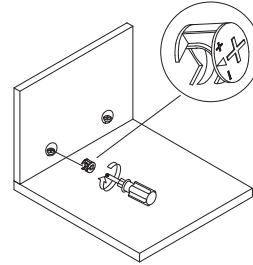
Step1



Step2



Step3

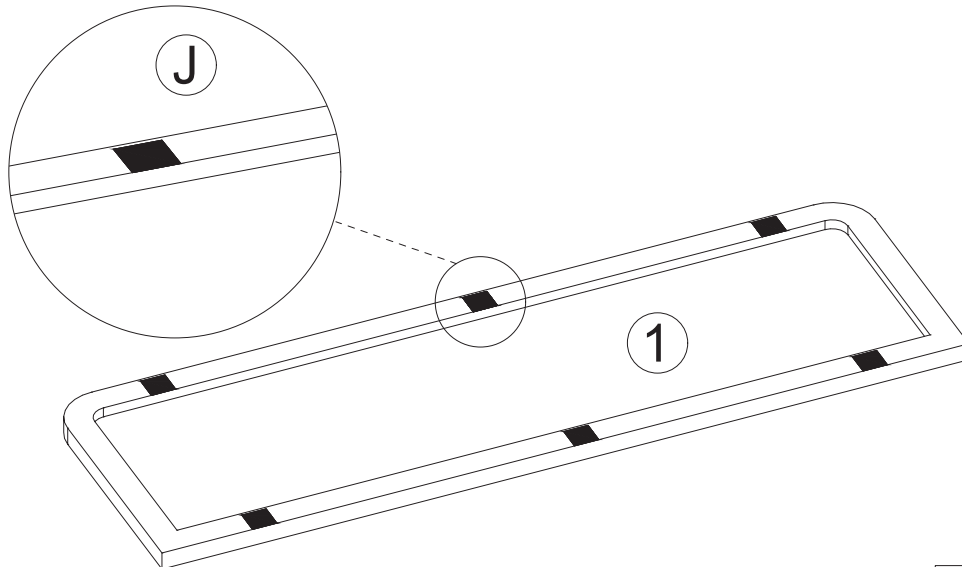


Use a screwdriver to lock in the direction of the "+" sign

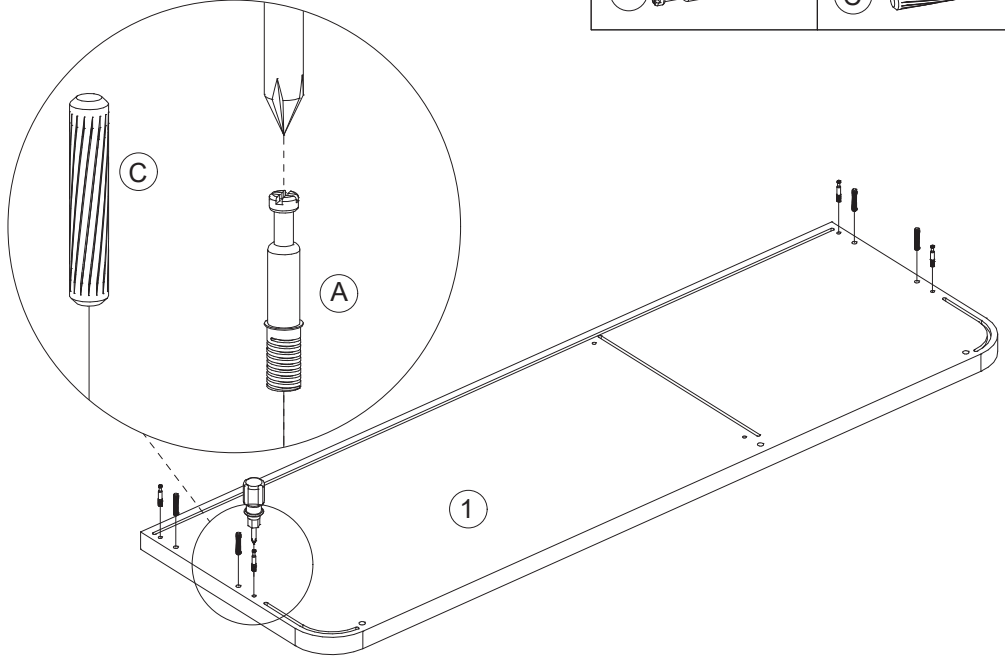
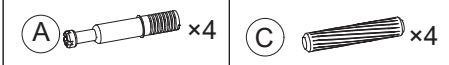
Disassemble along the direction of "-" sign

Step 1

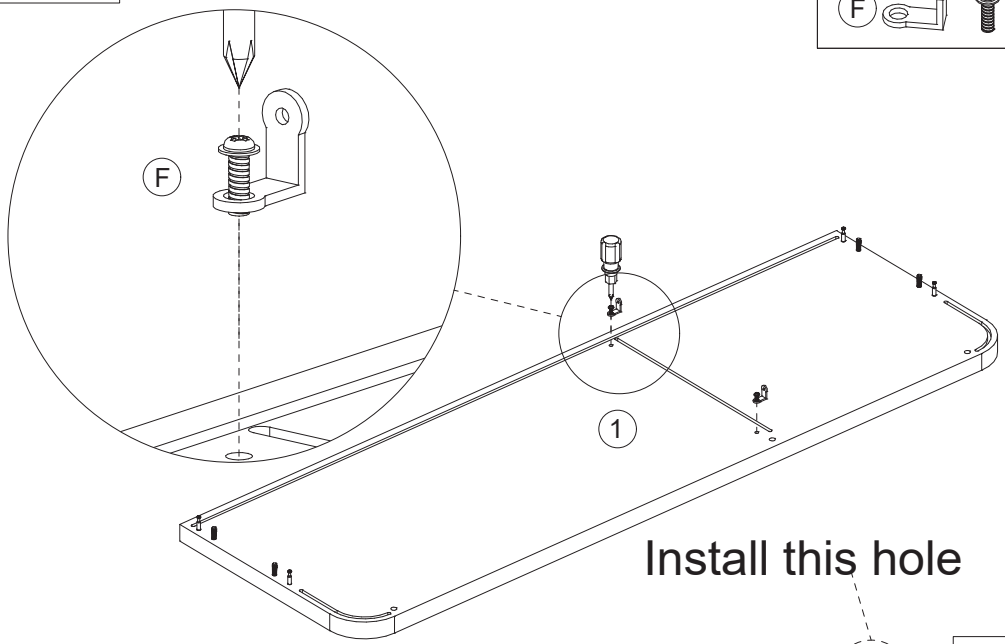
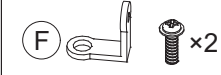
J ■ ×6



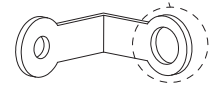
Step 2



Step 3

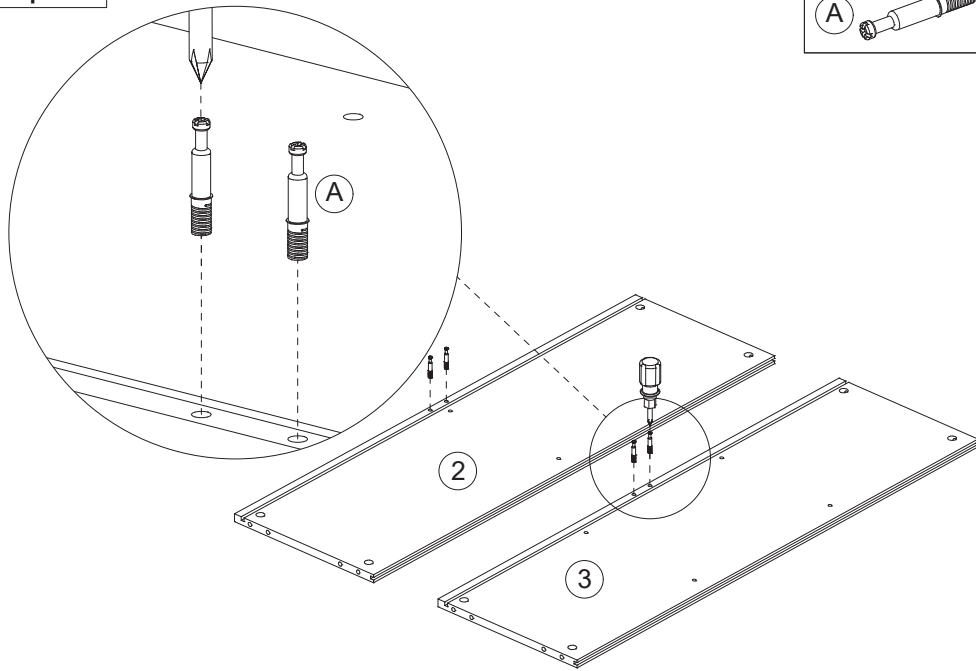
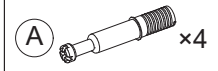


Install this hole

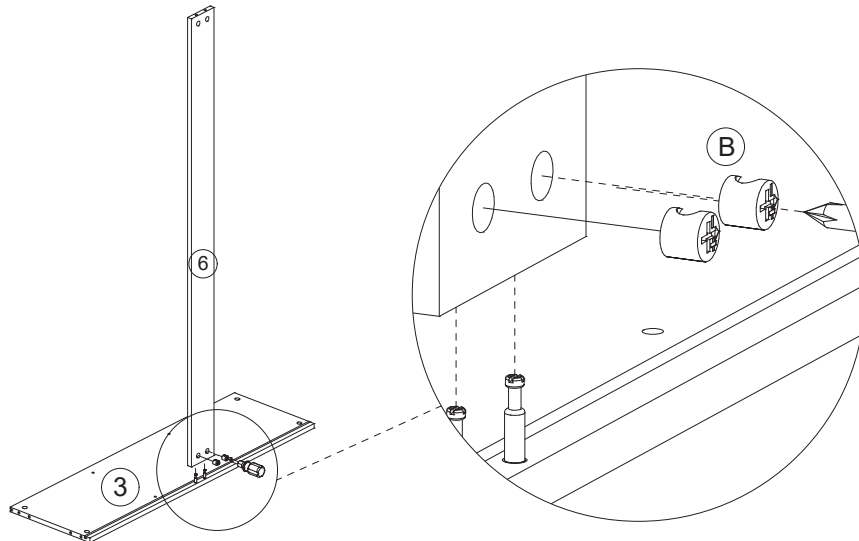


05

Step 4

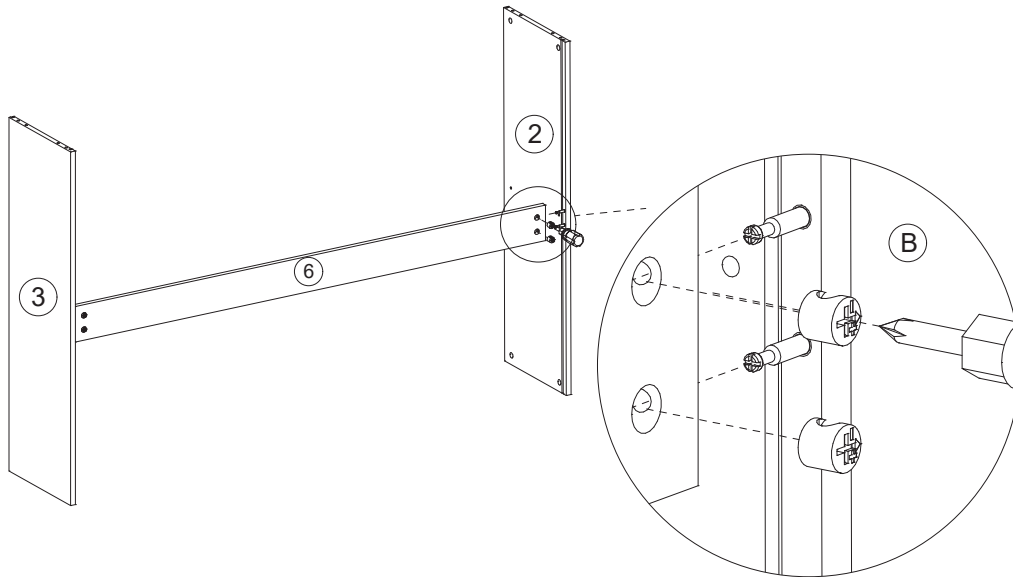


Step 5



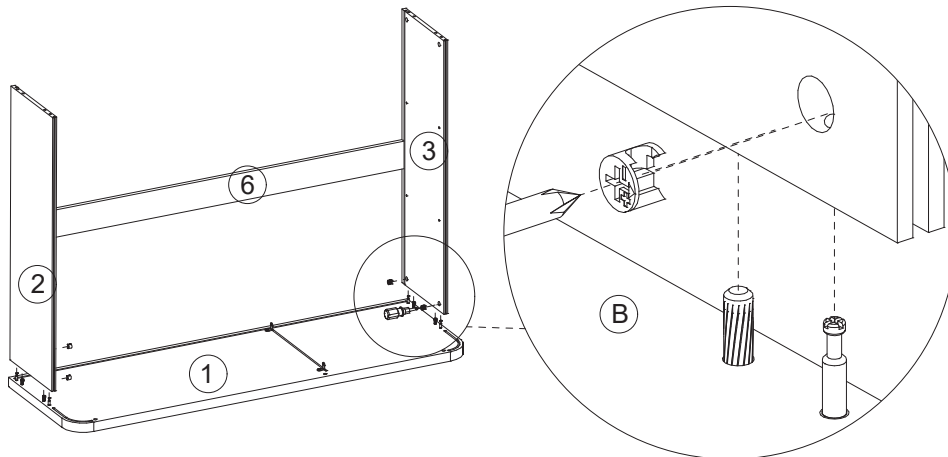
Step 6

(B)  x2

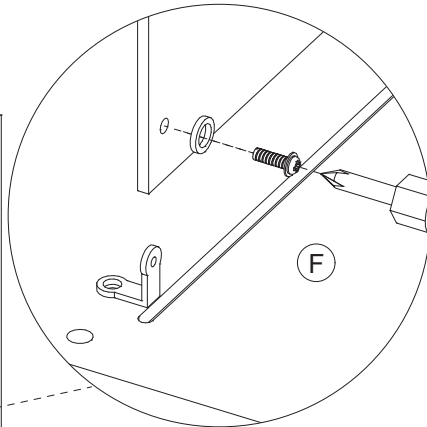
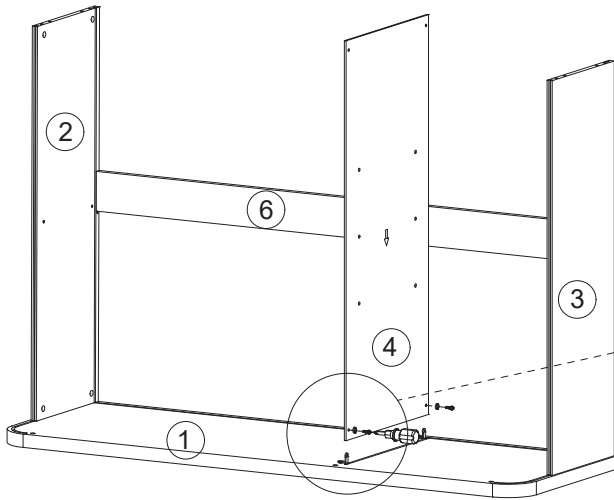
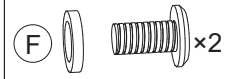


Step 7

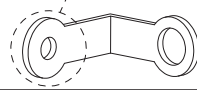
(B)  x4



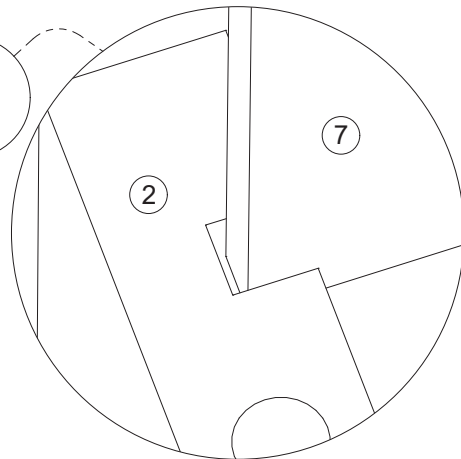
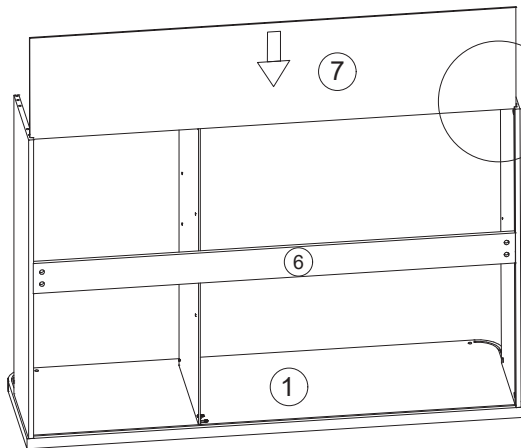
Step 8



Install this hole

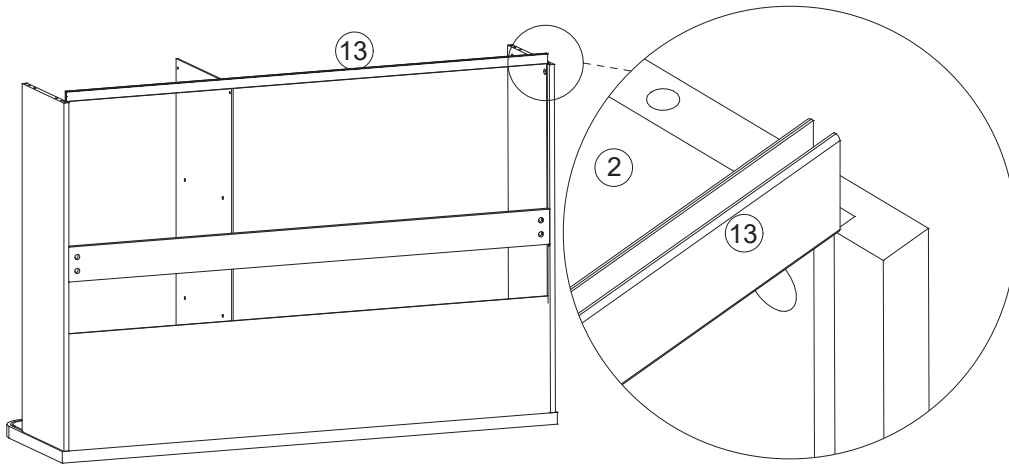


Step 9

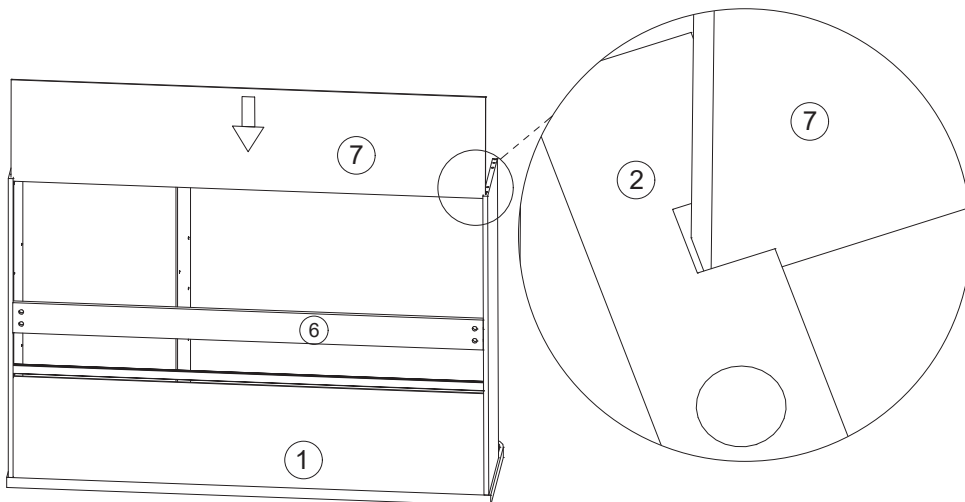


Step 10

⑬ / ×1



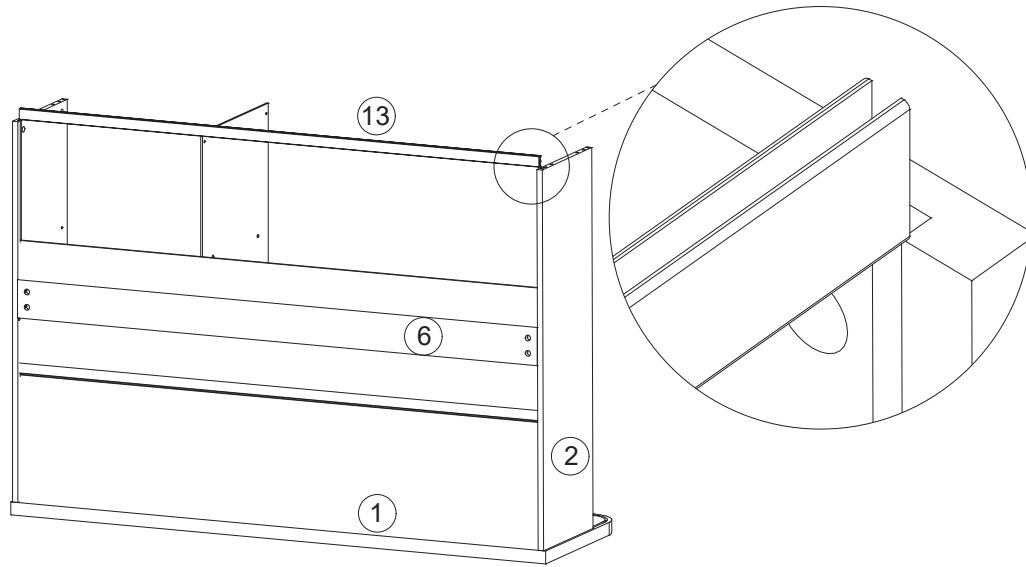
Step 11



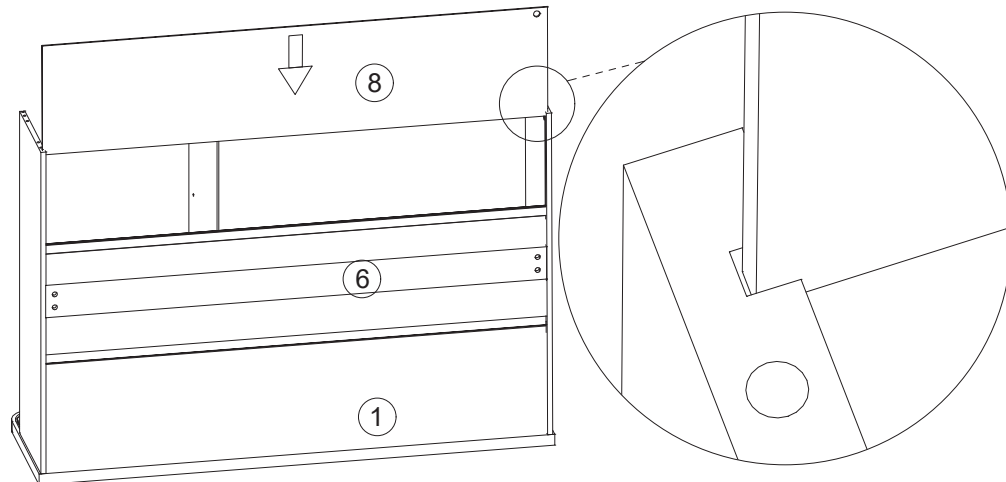
09

Step 12

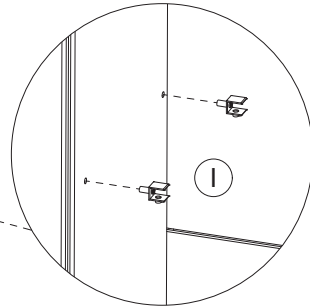
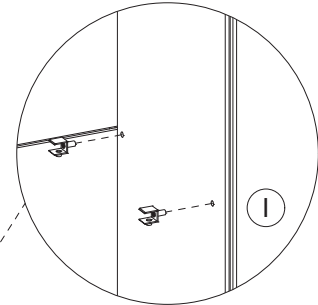
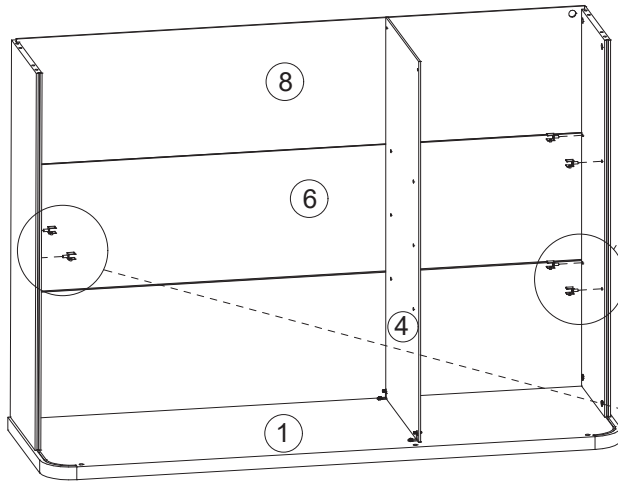
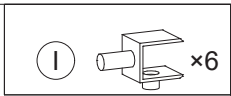
13 / ×1



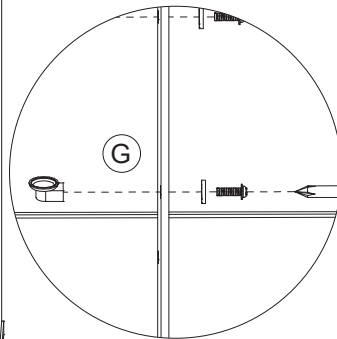
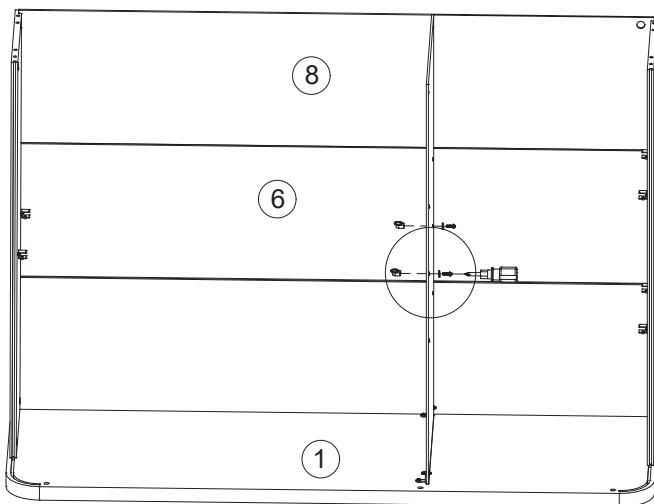
Step 13



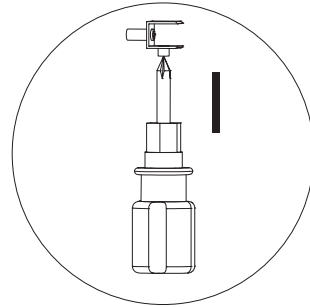
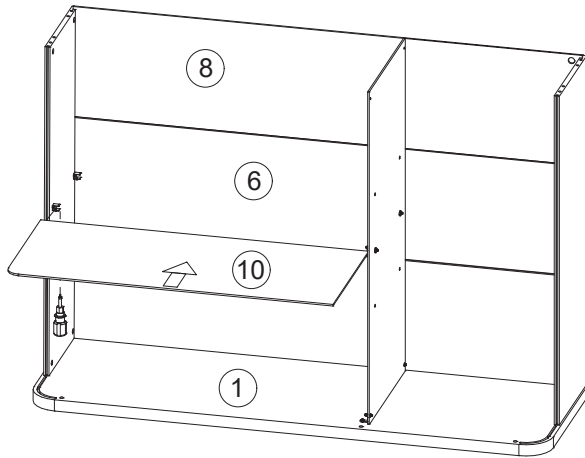
Step 14



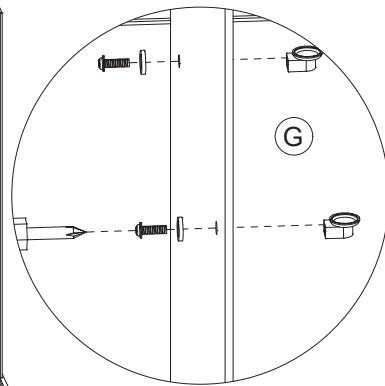
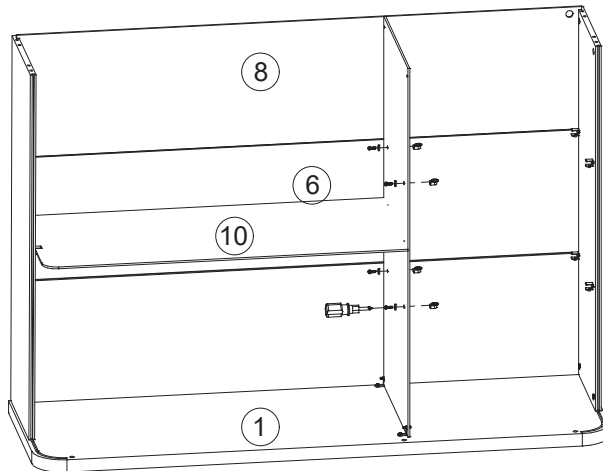
Step 15



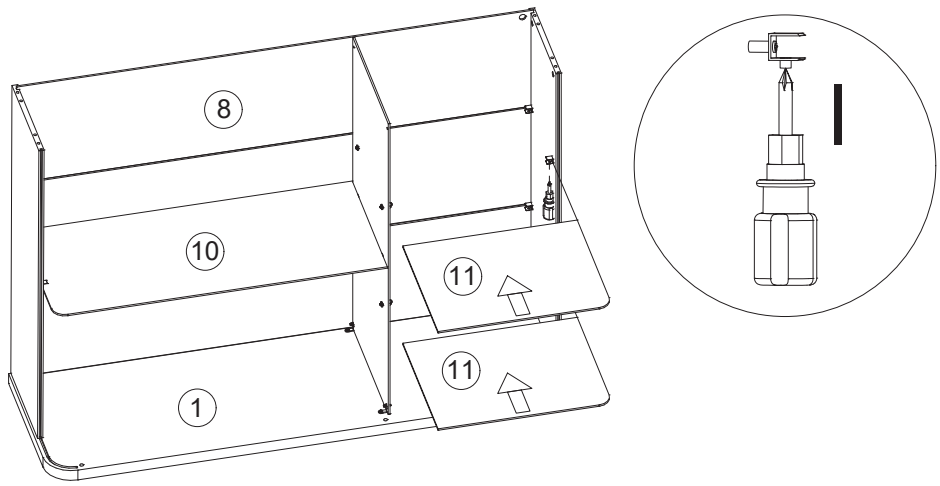
Step 16



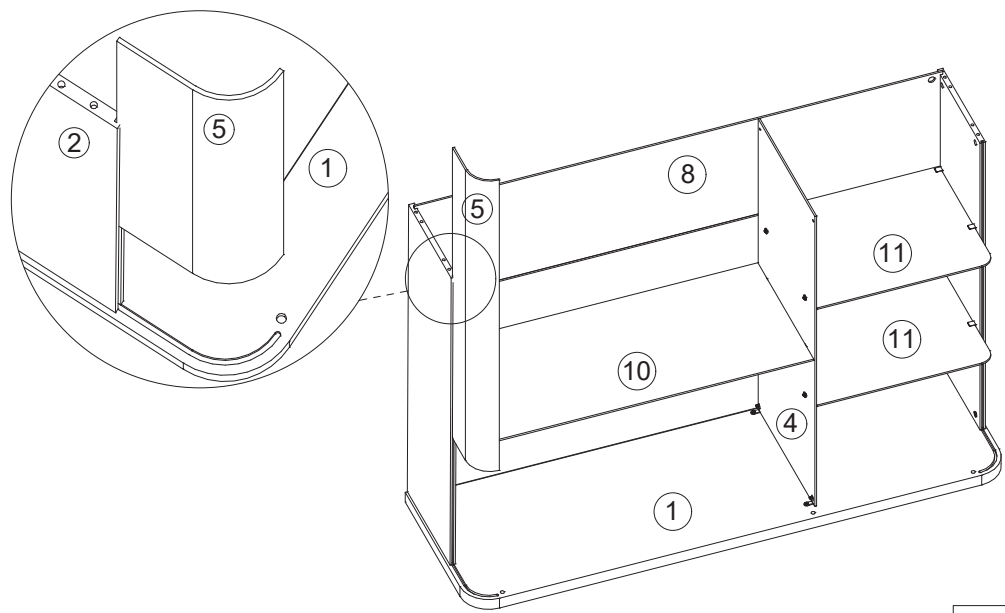
Step 17



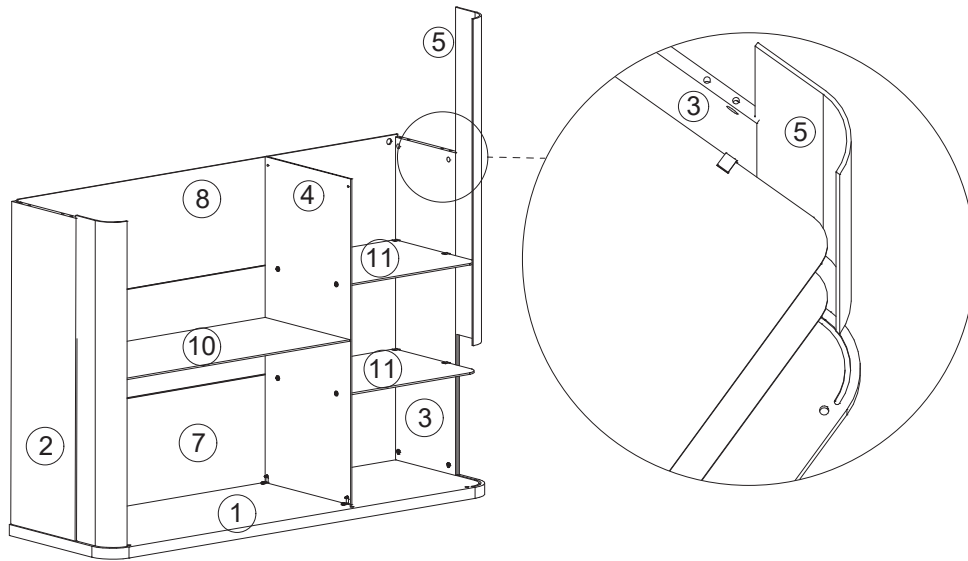
Step 18



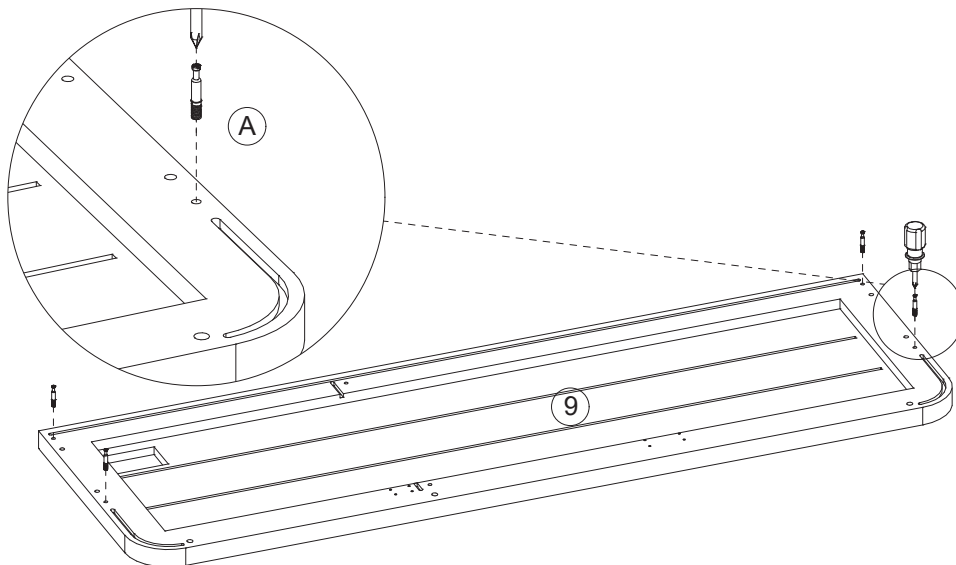
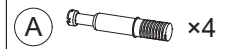
Step 19



Step 20



Step 21

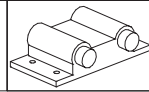


Step 22

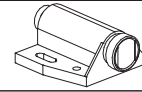
D



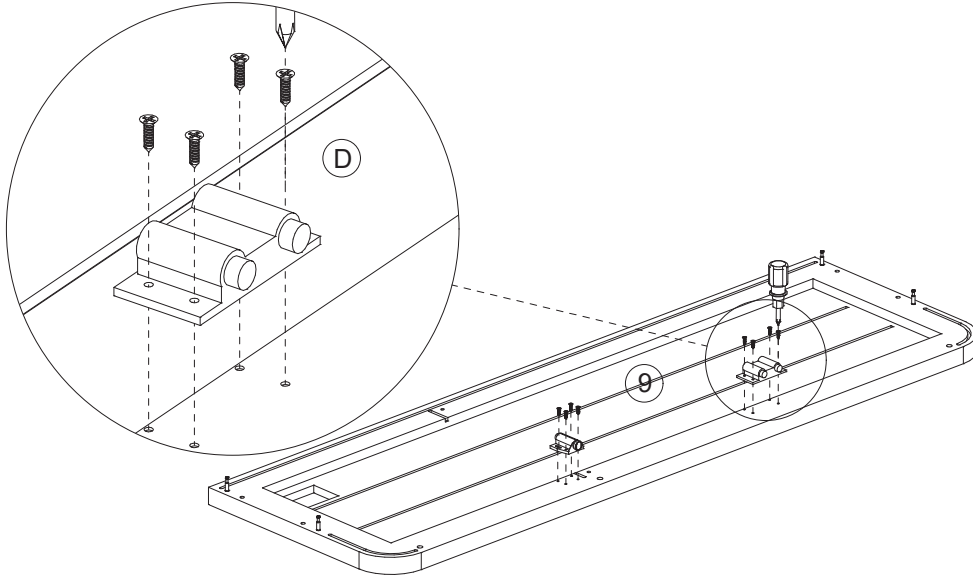
x8



x1



x1

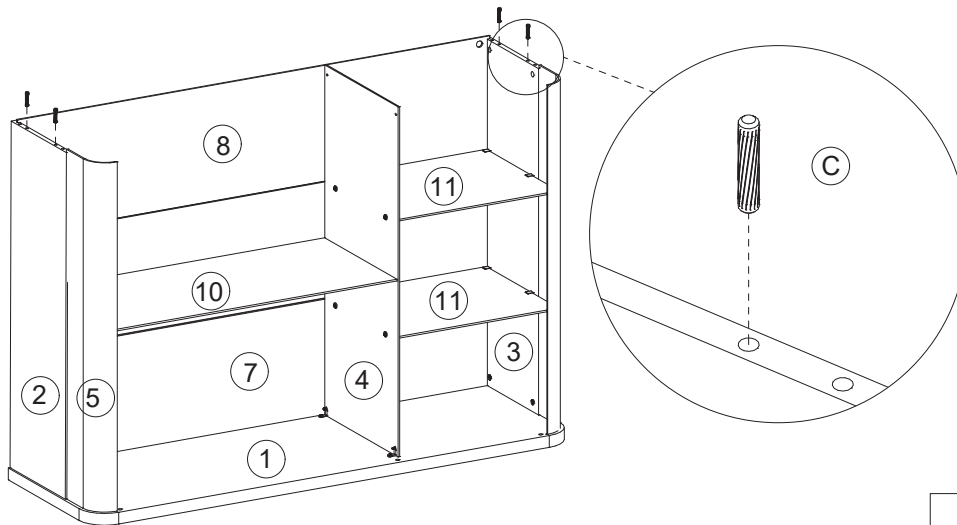


Step 23

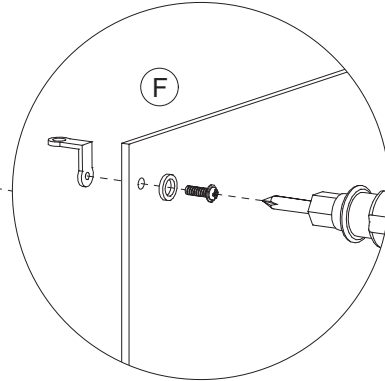
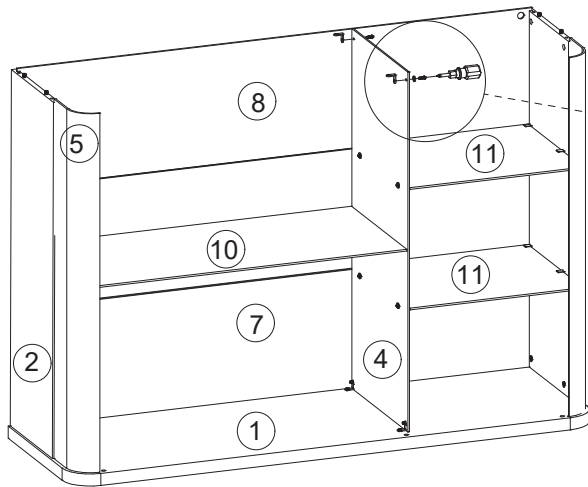
C



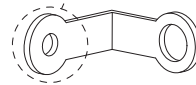
x4



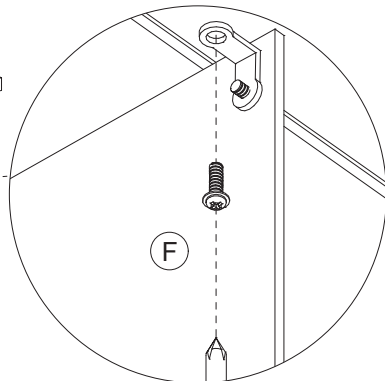
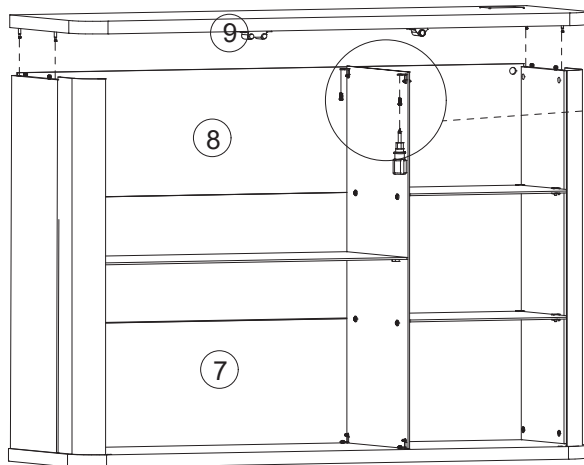
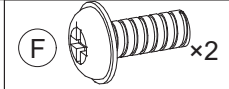
Step 24



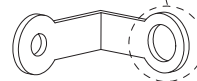
Install this hole



Step 25

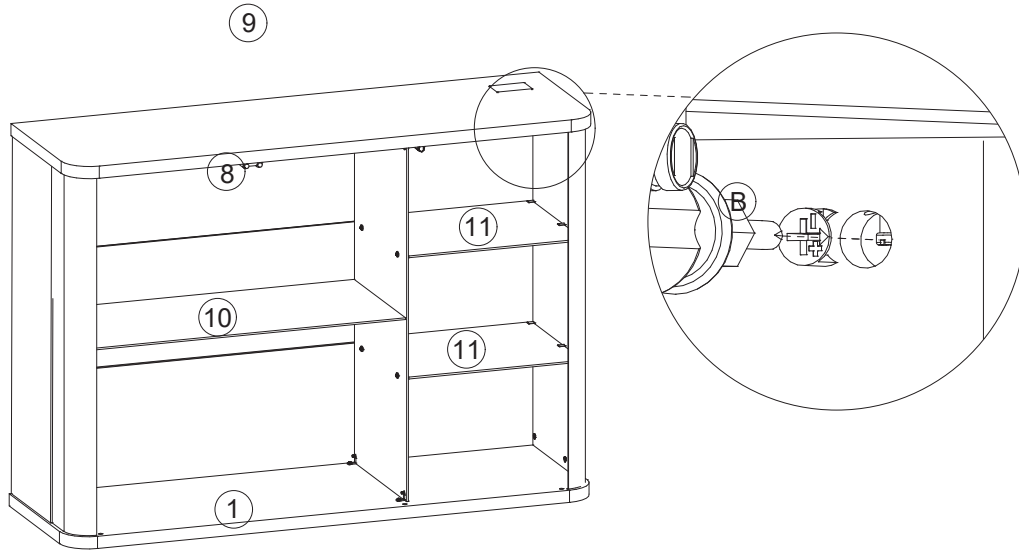


Install this hole



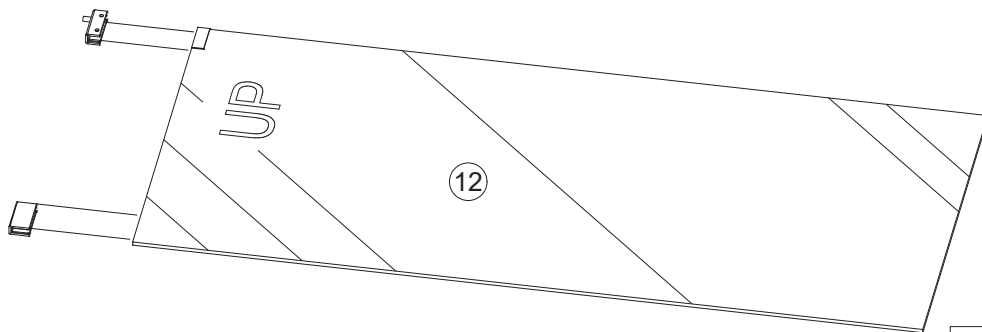
Step 26

(B)  ×4

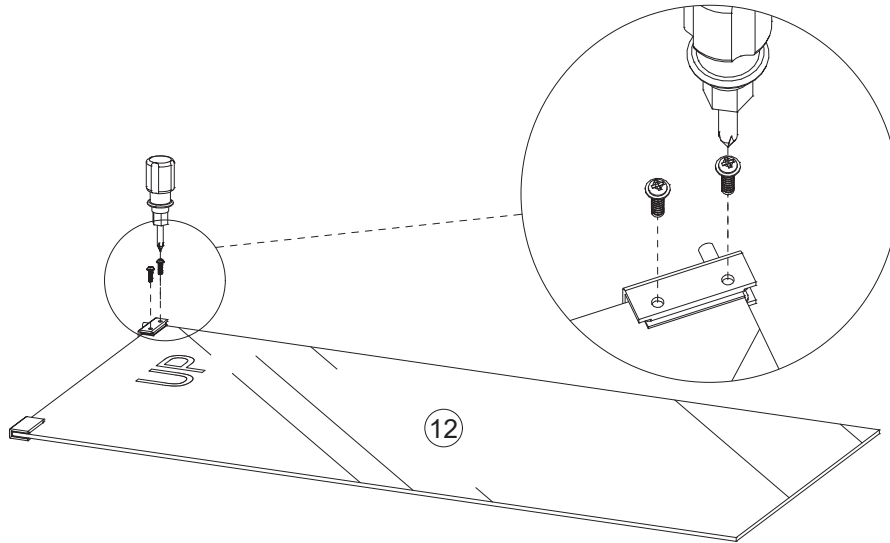
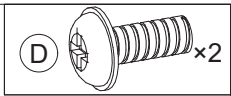


Step 27

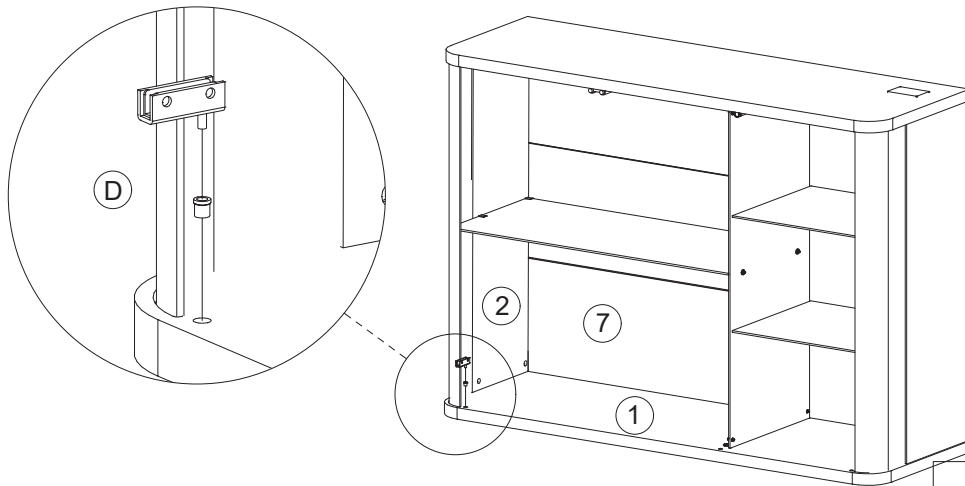
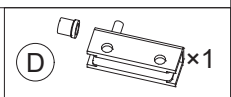
(D)  ×1  ×1



Step 28



Step 29

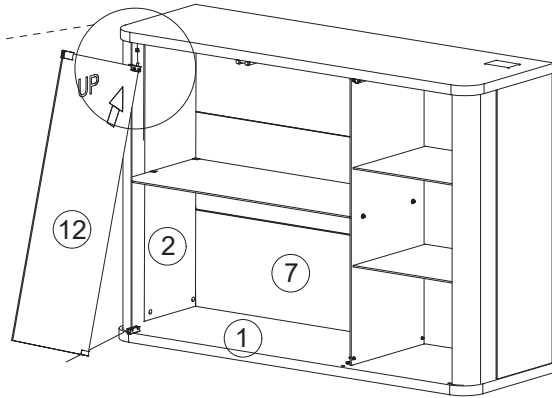
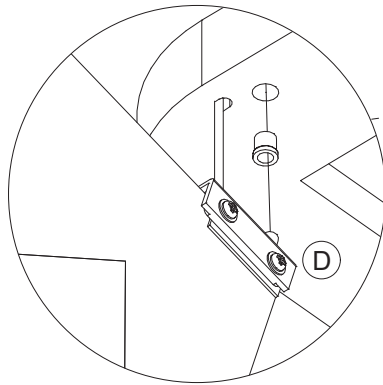


Step 30

D

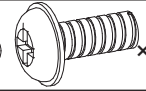


x1

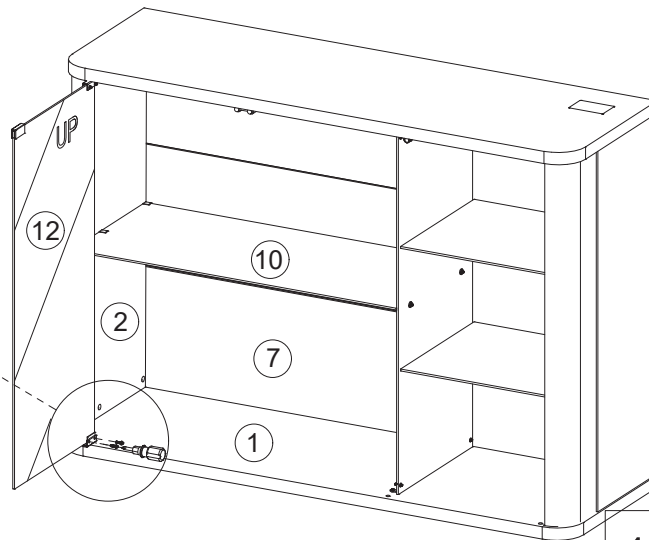
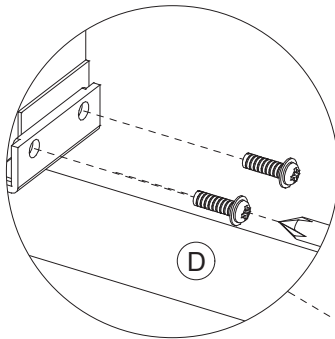


Step 31

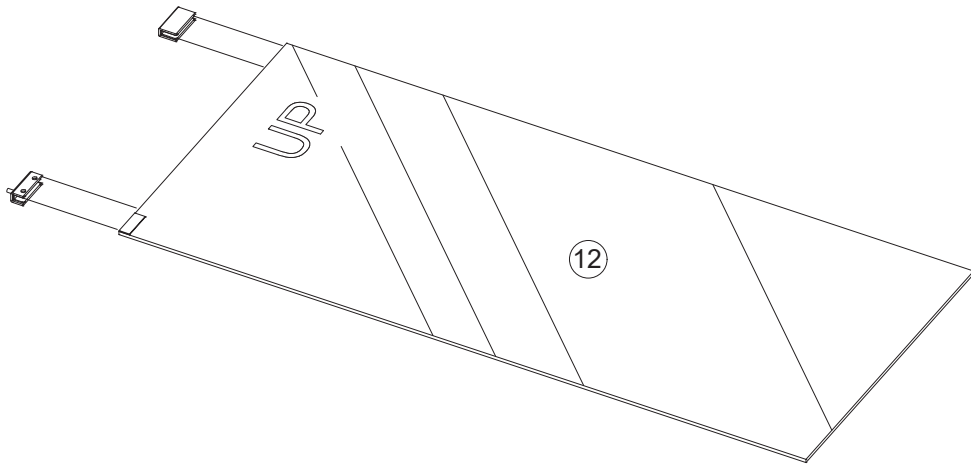
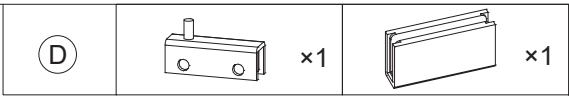
D



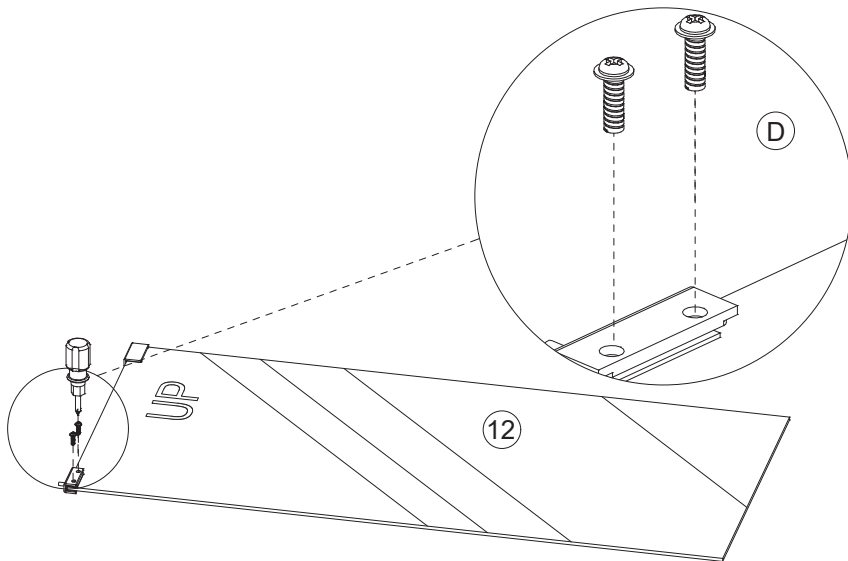
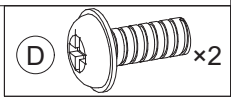
x2



Step 32

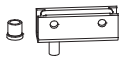


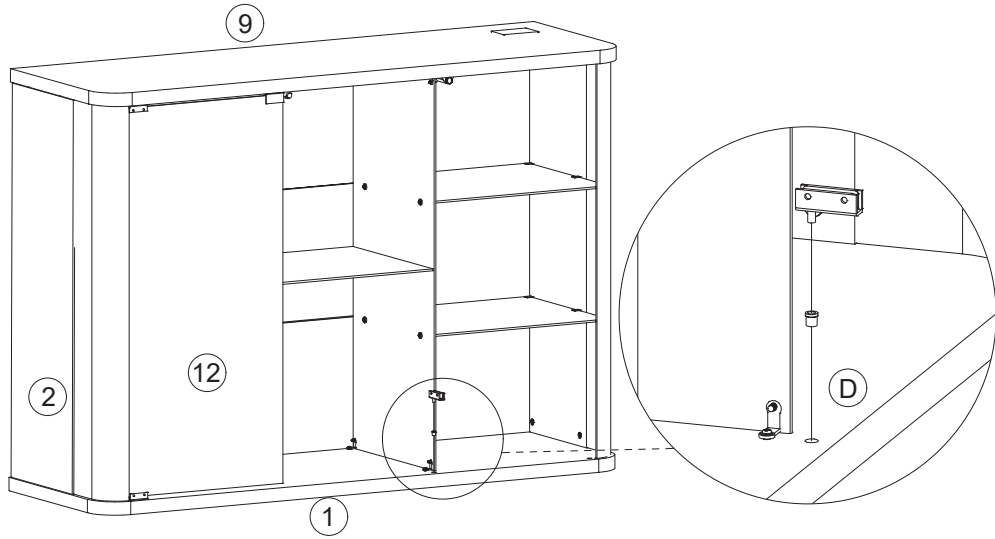
Step 33



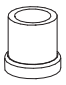
20

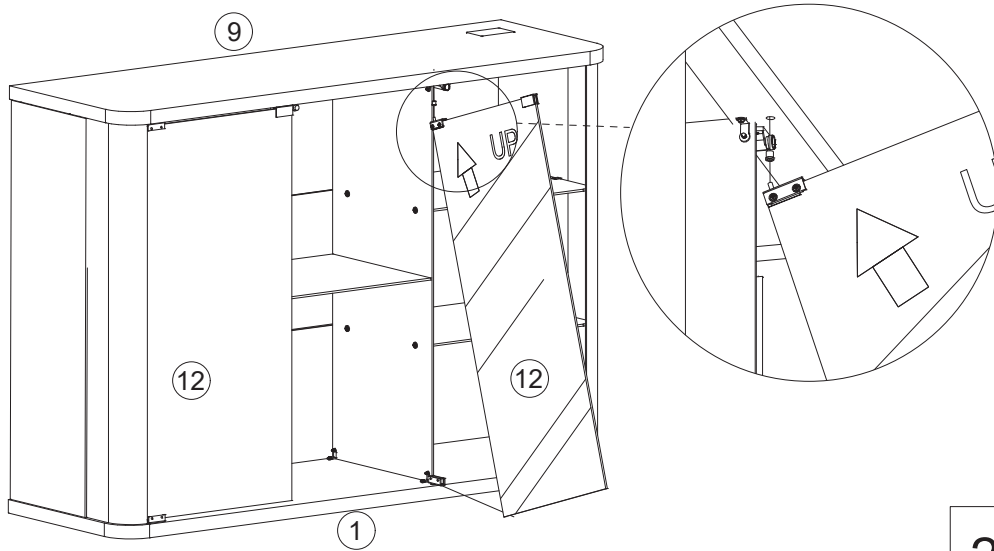
Step 34

D  x1

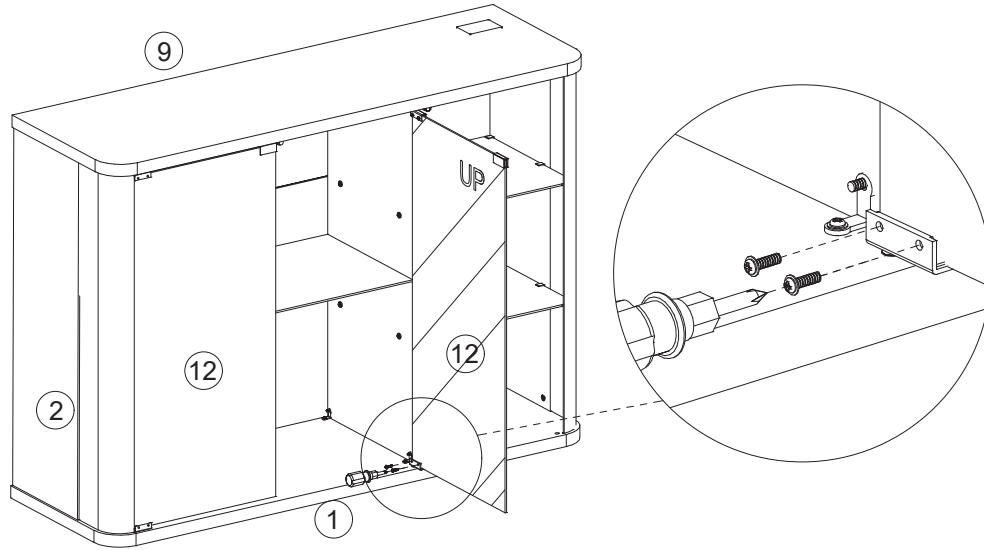
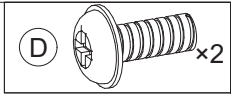


Step 35

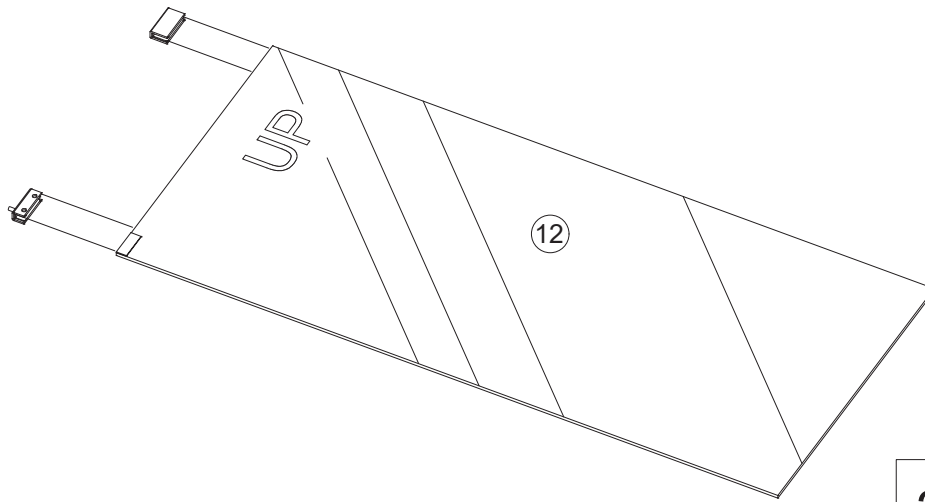
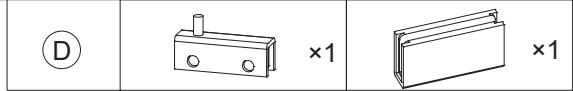
D  x1



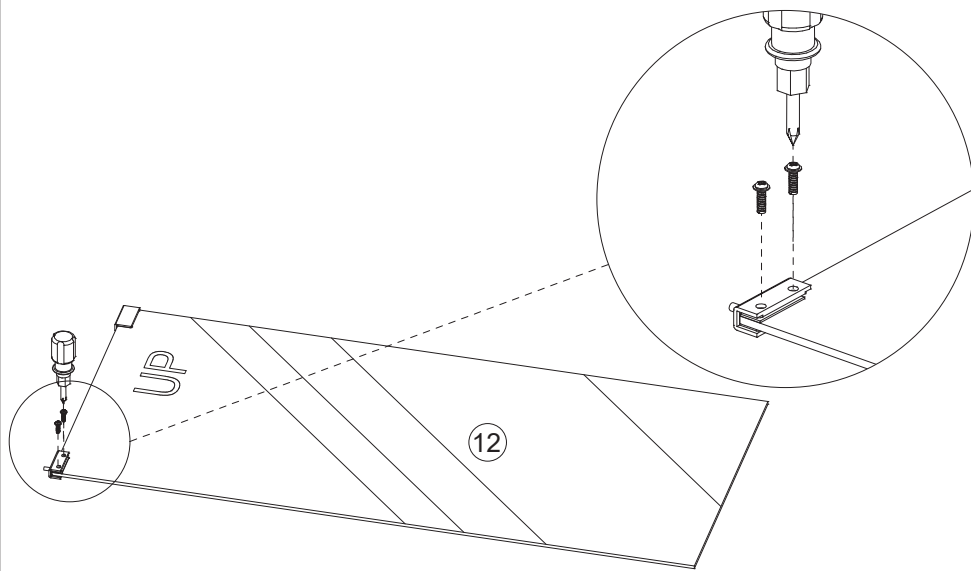
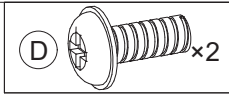
Step 36



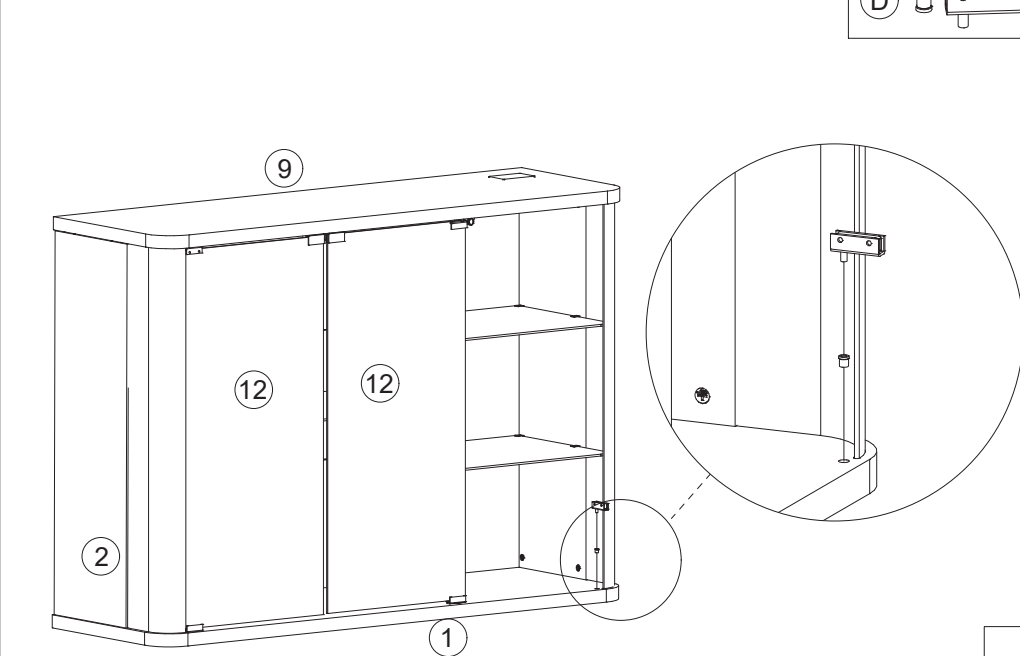
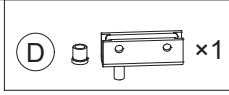
Step 37



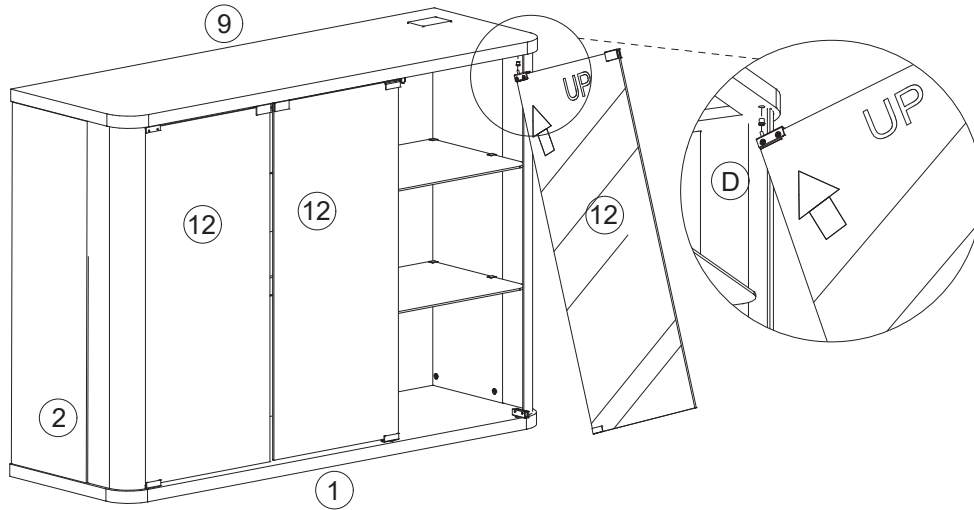
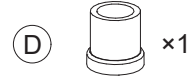
Step 38



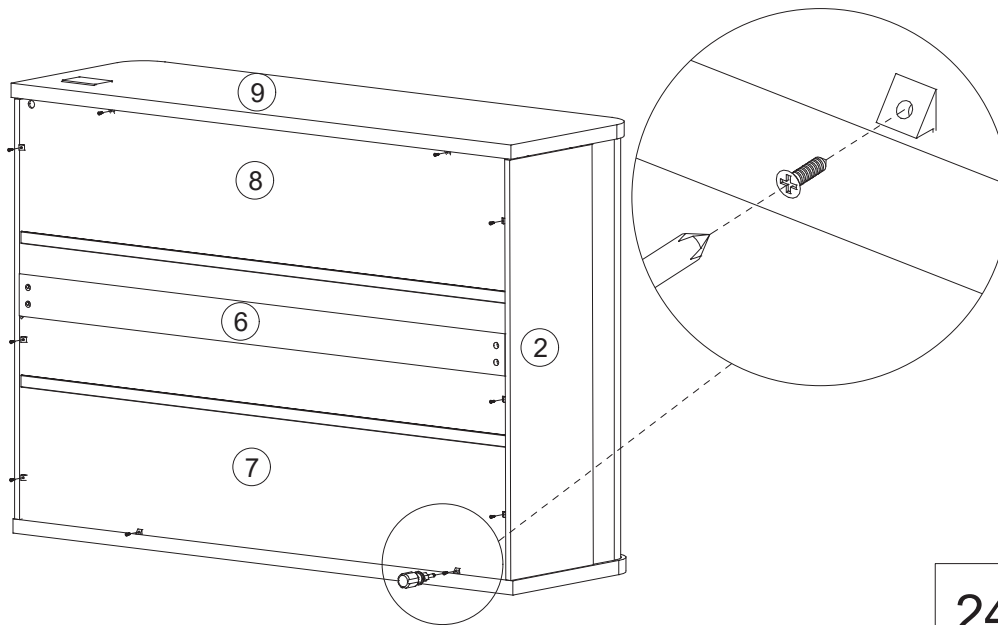
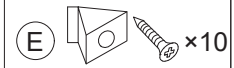
Step 39



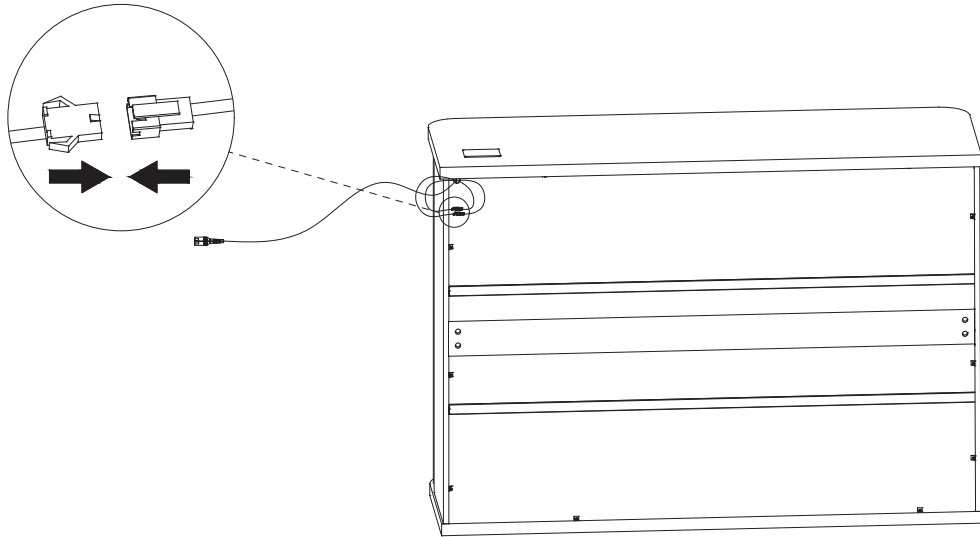
Step 40



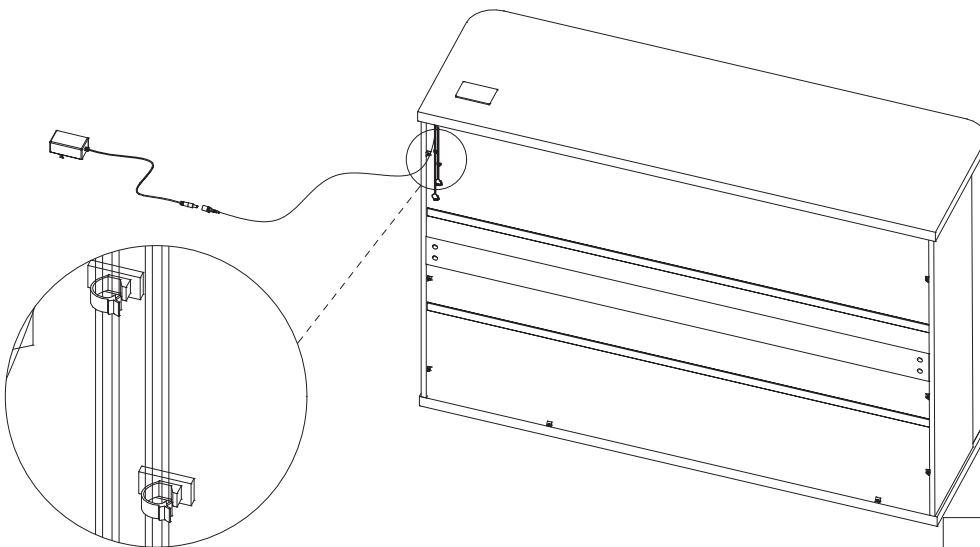
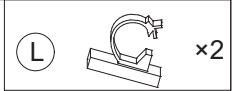
Step 41



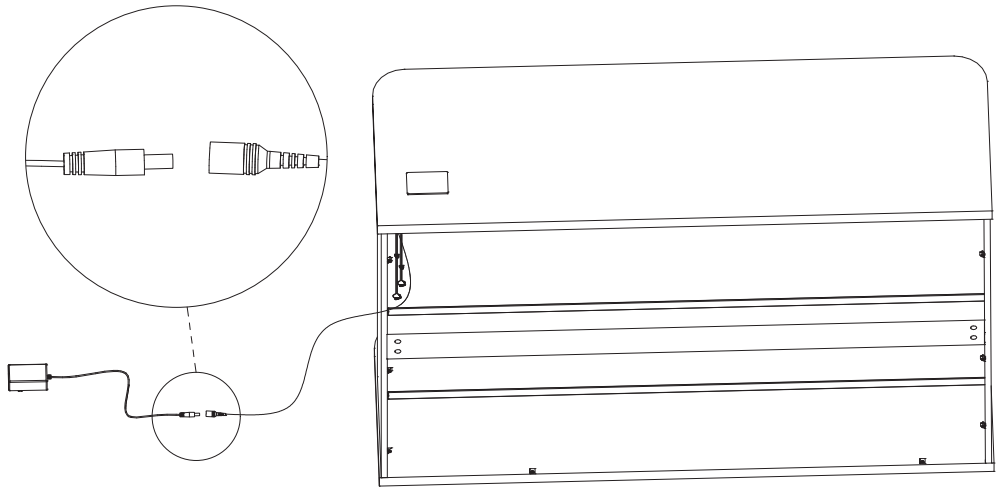
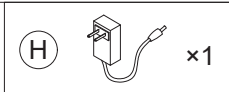
Step 42



Step 43

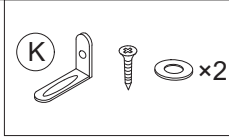


Step 44



Step 45

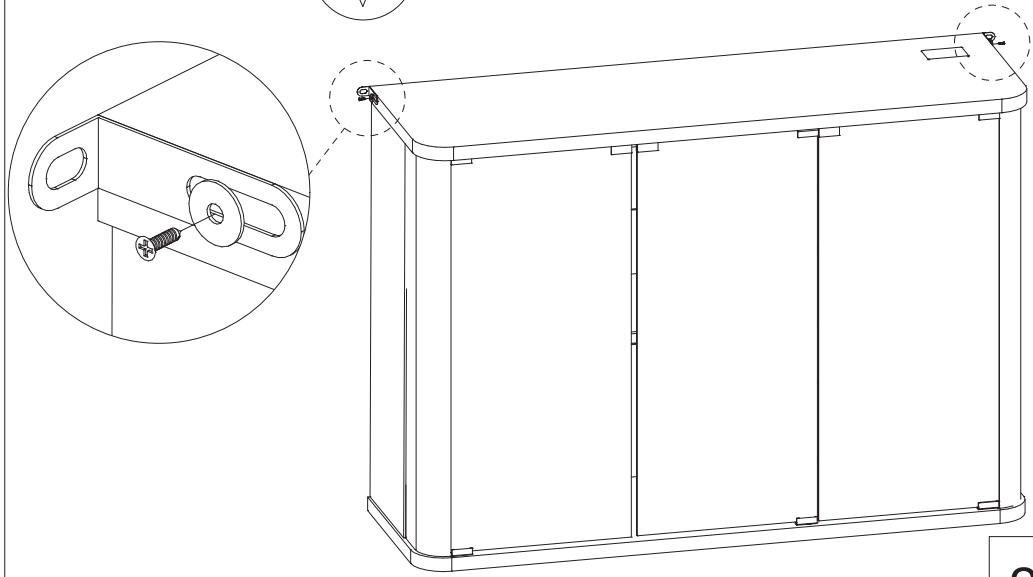
Install as required



3.5x14mm



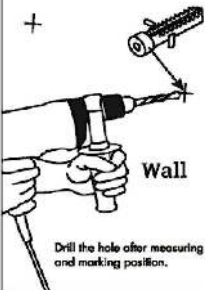
Install the anti fall hardware on the cabinet as shown in the picture first



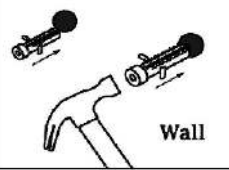
Step 46

Wall Mount

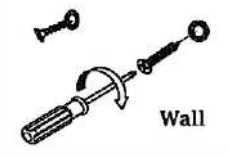
+



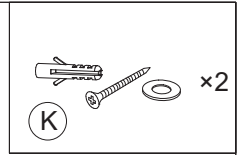
Drill the hole after measuring and marking position.



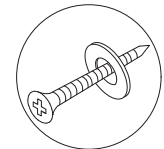
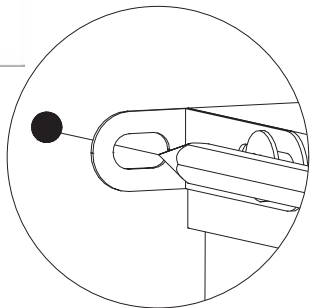
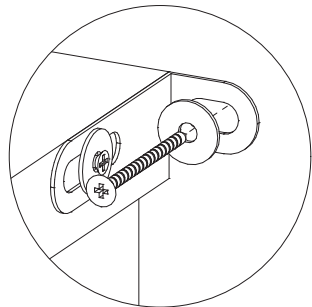
Wall



Wall



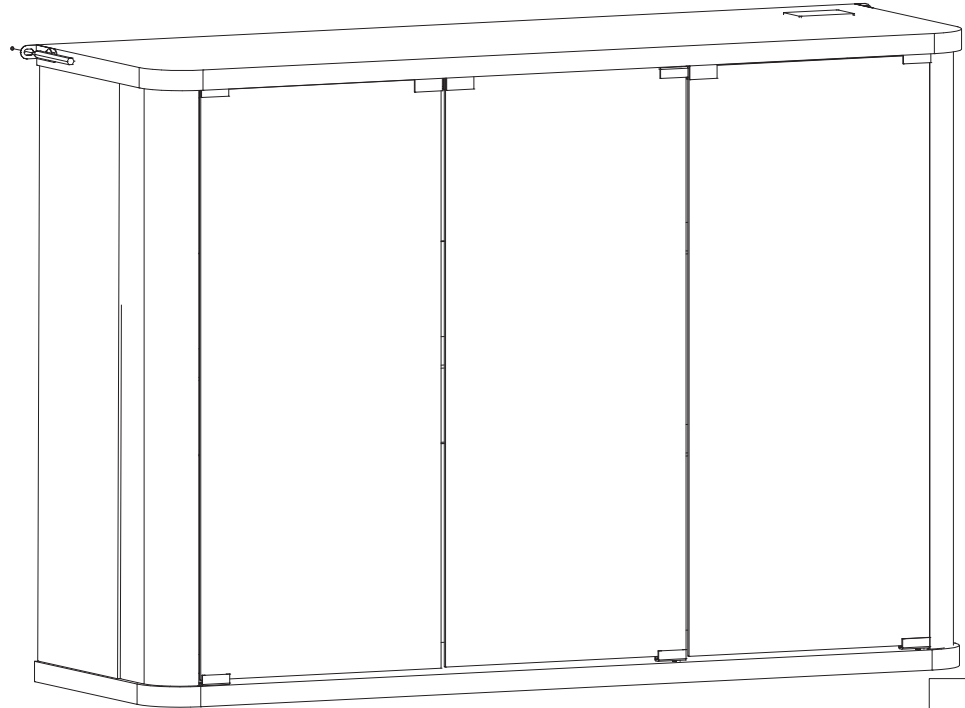
Drill the hole with an electric drill and punch in the colloidal particles

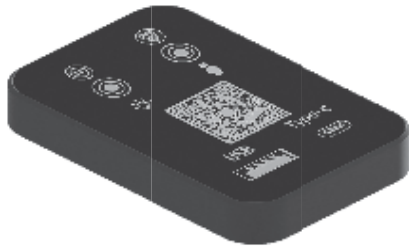


4x45mm

Then mark the wall with a pen through the holes in the anti-fall hardware

Fix the dressing table to the wall





User's Guide

Thank you for purchasing this product.

To use this product, please connect it to a power source.

Please use if the product works normally after connecting to power.

If bubbles appear on the panel, remove the protective film.

Introduction

The box is an intelligent controller.

It has 1 USB output port 1 Type-c port, with 2 touch buttons ,

it can and turn ON/OFF the induction function,

turn ON/OFF the light,adjust the light luminance, and change light colors.

The lights can be controlled through both the touch buttons and a dedicated app.

Operation



This touch button is used to turn the light on/off, adjust brightness, and switch the color of the lights.

i. Single Click: Turn the light on/off.

ii. Quick Double-Click: Switch between 7 static RGB colors.

iii. Long Press (2+ seconds): Adjust the light luminance.



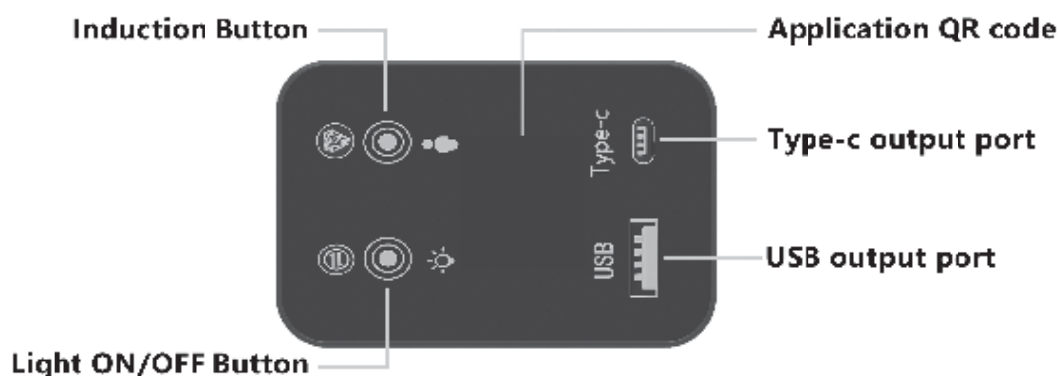
This touch button is used to switch dynamic phantom colors and turn ON/OFF the induction function.

i. Single Click: Switch to Phantom Mode, with 5 magical color transformations available.

ii. Human Body Sensing Control: Long Press (3+ seconds): Turn on The key press indicator light is on.)

Long Press (3+ seconds): Turn off (The key press indicator light is off.)

By default, the human body sensing is enabled upon initial power-on, and the indicator light is on.



⚠ ATTENTION PLEASE

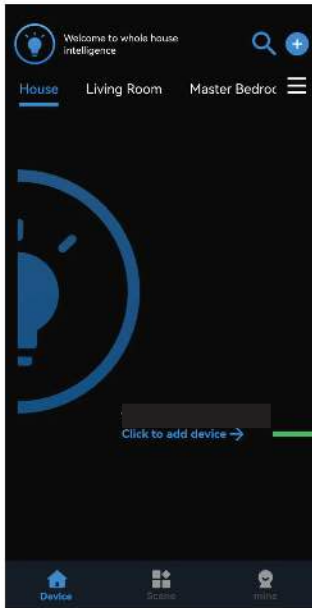
1. If there is no touch response suddenly, Re-plug the power to reset the touch static electricity.

2. If you have any questions when installing, please feel free to contact us. Thank you.



Select English Language

Select the corresponding device to download.
Note: If the download fails, please turn off the "Enhanced Protection" in the Pure Mode settings of the device.



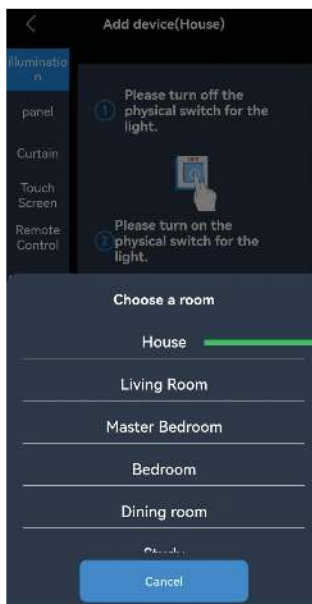
1



2

It turns blue after clicking

3



4



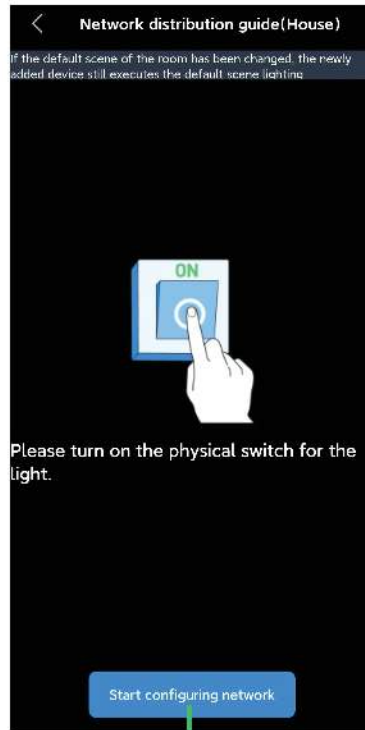
5 Unplug the smart box



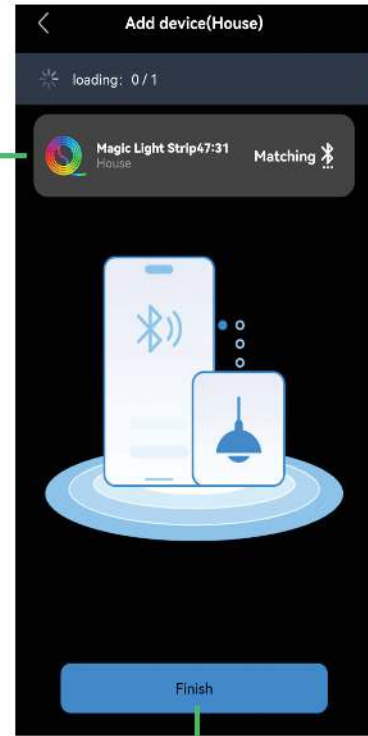
6

7 Plug in the smart box power plug.

The appearance of this program icon indicates that the matching is complete



8



9



10



Now you can freely adjust the lighting according to your preferences