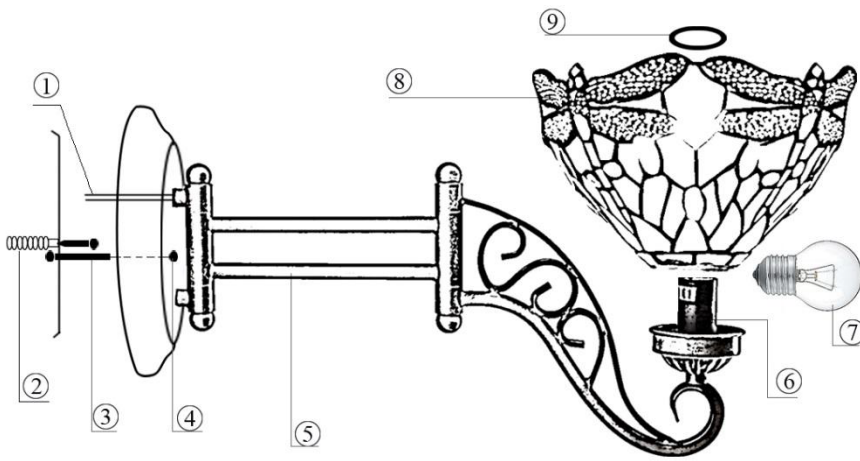
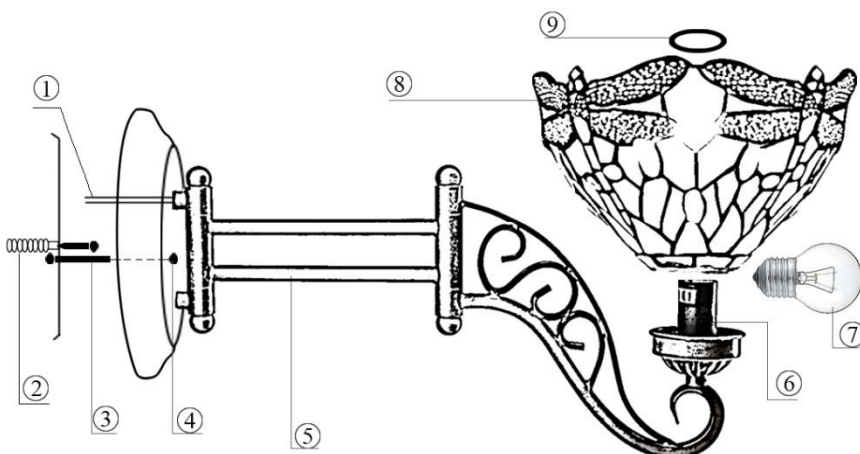


Instructions



1. Please open the carton carefully and take out of all the parts and place it to a soft floor.
2. Please find your room plafond place for assembling the wall lamp, There is a hole with your room 2 wires, then drill 2 small holes with the same distance of 2 holes ③ of the metal part.
3. Insert the plastic parts ② into the holes, stable the metal part by its 2 holes with the 2 screws
4. Take the upper sockets clusters out and pass its wire through its upper Metal clusters and its metal parts and it's chains and it's tube with ④ then connect the wire to the wire center.
5. Connect the metal part screw with the tube then connect your Room wire with from hole to the wire center with parts of .①
6. Put the canopy up to the plat fond and stable it by the small screw ④.
7. Put the lampshade ⑧ to the sockets ⑥, and firm it with ring ⑨, and put the bulb.
8. Turn on/off your room electric outlet for the Wall lamp, Test whether it's work .

Instructions



1. Please open the carton carefully and take out of all the parts and place it to a soft floor.
2. Please find your room plafond place for assembling the wall lamp, There is a hole with your room 2 wires, then drill 2 small holes with the same distance of 2 holes ③ of the metal part.
3. Insert the plastic parts ② into the holes, stable the metal part by its 2 holes with the 2 screws
4. Take the upper sockets clusters out and pass its wire through its upper Metal clusters and its metal parts and it's chains and it's tube with ④ then connect the wire to the wire center.
5. Connect the metal part screw with the tube then connect your Room wire with from hole to the wire center with parts of .①
6. Put the canopy up to the plat fond and stable it by the small screw ④.
7. Put the lampshade ⑧ to the sockets ⑥, and firm it with ring ⑨, and put the bulb.
8. Turn on/off your room electric outlet for the Wall lamp, Test whether it's work .