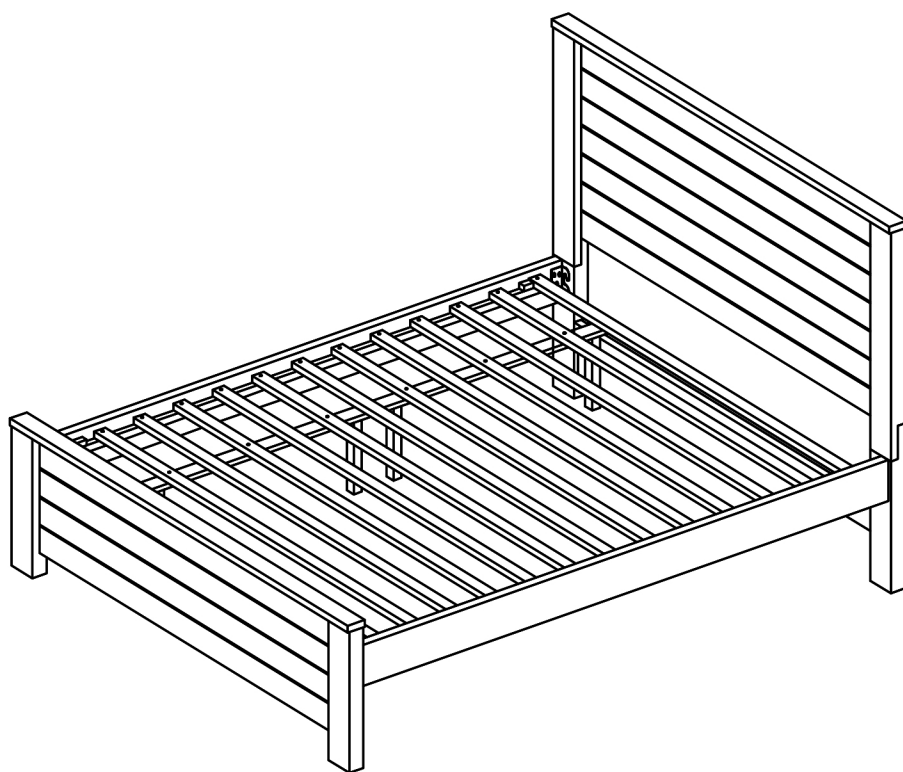
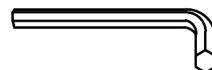


ASSEMBLY INSTRUCTIONS



TOOLS REQUIRED



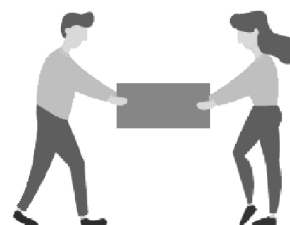
Allen Wrench

(Included)



**Phillips
Screwdriver**

(Not Included)



**2 - People
Recommended**

ASSEMBLY RATING



EASY —————> DIFFICULT

The Assembly Rating is a 5-point system showing the level of effort needed to assemble a specific product.



CHECK BEFORE STARTING

Are you missing anything?

Double-check all parts, hardware and accessories listed are all accounted for.

Should we send any replacements?

Are there any irregularities or flaws in the parts? We can send replacements!

Check out our Quick Tips!

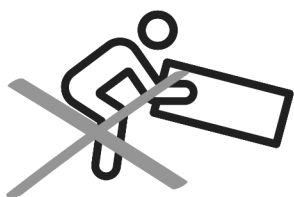
We recommend reviewing the pre-assembly handouts. Even experts need a refresher now and then!

Prep Time!

Please review the assembly instructions and all diagrams prior to assembling.

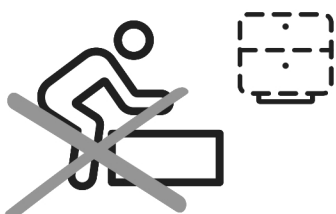
PRE ASSEMBLY INTRODUCTION

We understand building ready-to-assemble furniture can be a challenging experience for some. To help avoid confusion, we have provided some helpful tips that may speed up the process.



Teamwork

ALWAYS have at least two people to help with transporting and assembling the product to avoid potential injury and/or damage.



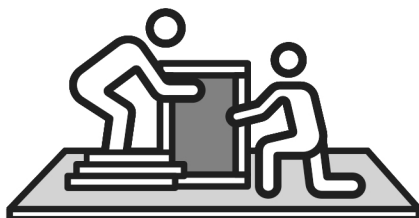
Suitable Location

Assembling near the area of the intended location is highly recommended.



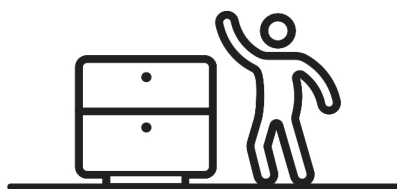
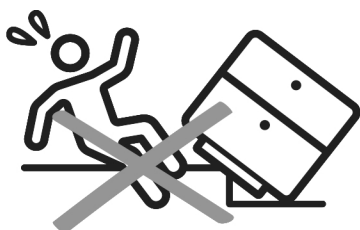
Sufficient Space

Make sure you have enough space to move around during the assembly.



Avoid Scratches

Use cardboard, blankets or a carpeted area while assembling furniture to prevent to prevent scratches and damages.



Flat Surface

Make sure the furniture rests on a flat and level surface with each leg evenly touching the floor.

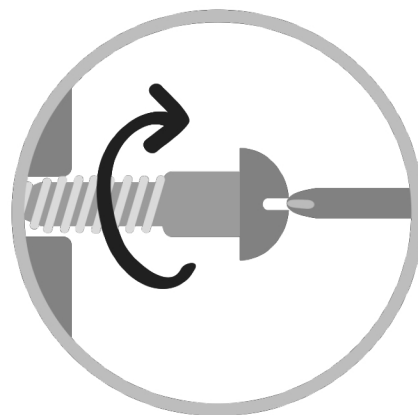
ASSEMBLY AND CARE ADVICE



**FAILURE TO FOLLOW THE GUIDELINES BELOW MAY
RESULT IN INJURY AND/OR PROPERTY DAMAGE.**



Position each part correctly
and insert screws or bolts into
their respective holes.



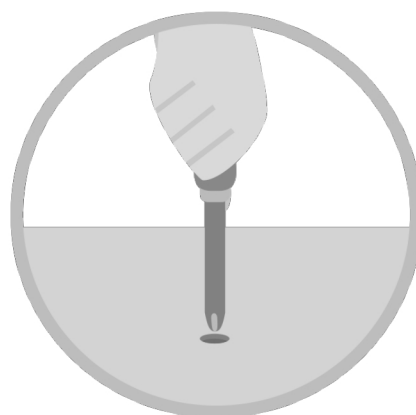
Turn clockwise to tighten and
only tighten when step is
completed or when instructed
to do so.



Use the appropriate hand tools
or power tools for assembly.
Select steps, such as tightening
screws and/or bolts, may require
hand tools to avoid causing
damage during assembly.



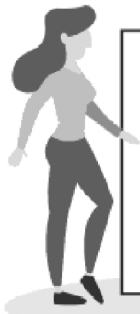
Save the instructions and store
any supplied tools for later
maintenance.



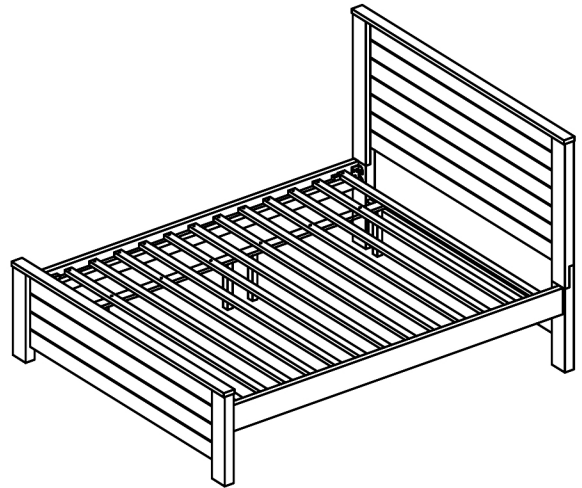
After two weeks, check and
tighten any loose hardware and
repeat again every six months
thereafter.

IT IS THE USER'S RESPONSIBILITY TO MAINTAIN THE FURNITURE. THE HARDWARE MAY LOOSEN OVER TIME AND MAY CAUSE THE FURNITURE TO BE WOBBLY AND UNABLE TO SUPPORT ITS INTENDED WEIGHT CAPACITY. THIS MAY LEAD TO COLLAPSE AND MAY CAUSE SERIOUS INJURY.

BED



- Please keep instructions for future reference.
- Check the quantity and irregularity of parts and hardware before you start.



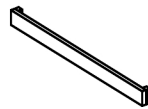
PARTS

#1 2pcs



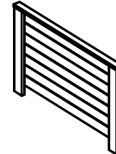
HB Leg (L/R)

#2 1pc



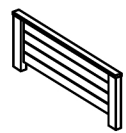
HB Support Rail

#3 1pc



Headboard

#4 1pc



Footboard

#5 2pcs



Side Rail

#6 1set



Slat

#7 2pcs



Slat Support Rail

#8 4pcs



Support Leg

HARDWARE

#A 10pcs



Bolt
Ø5/16" x 1-3/8"

#B 8pcs



Bolt
Ø5/16" x 5/8"

#C 10pcs



Lock washer
Ø5/16"

#D 10pcs



Flat Washer
Ø5/16" x 19mm

#E 32pcs



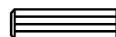
Screw
#4 x 30mm

#F 1pc



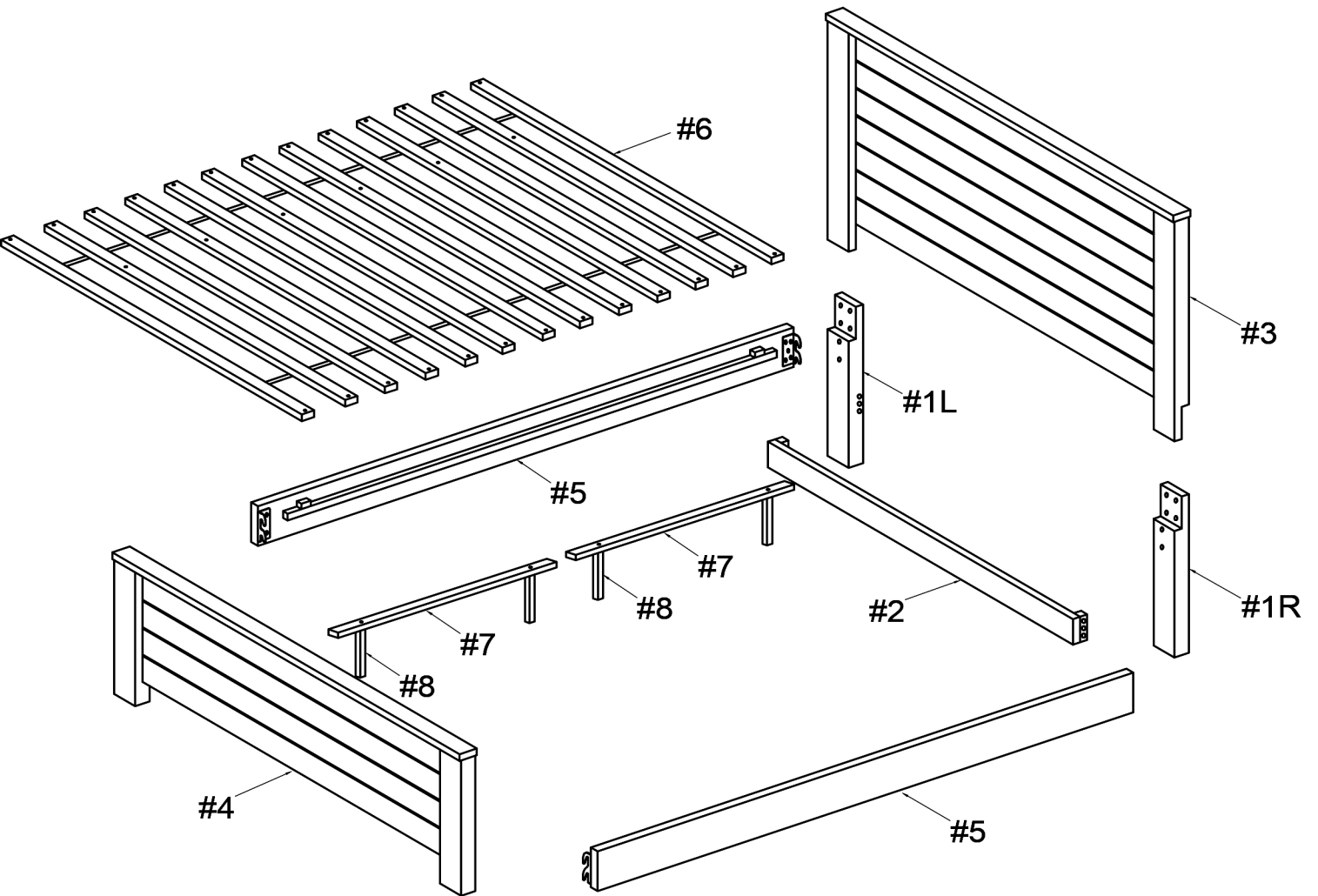
Allen Key 4mm

#G 4pcs

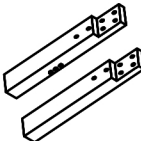








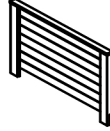
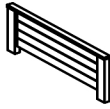
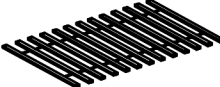

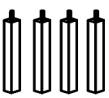



Wood Dowel
Ø8 x 30mm

Exploded View



packed in 2 cases

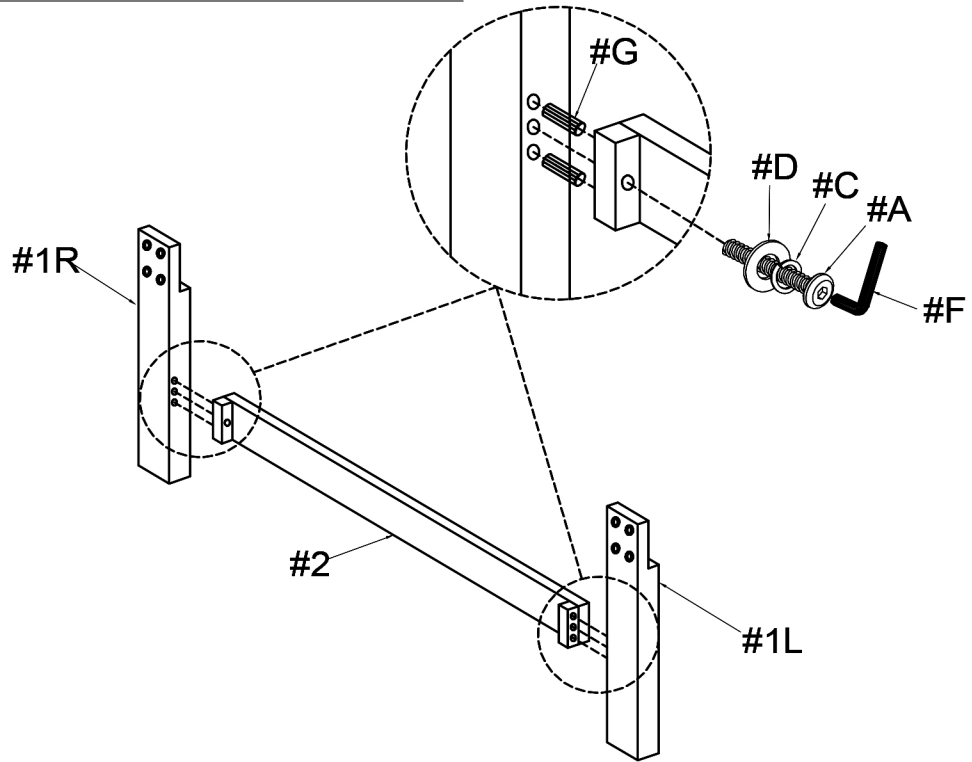
Carton	Disignation		Part	Hardware
	HB Leg (L/R) (2pcs)	#1		<ul style="list-style-type: none">  #A x 10pcs  #B x 8pcs  #C x 10pcs  #D x 10pcs  #E x 32pcs  #F x 1pc  #G x 4pcs
	HB Support Rail	#2		
	Headboard	#3		
	Footboard	#4		
	Bed slat(1set)	#6		
	Slat Support Rail (2pcs)	#7		
	Support Leg(4pcs)	#8		
	Side Rail(2pcs)	#5		

ASSEMBLY INSTRUCTIONS

Use Dowels (#G) to align the HB Support rail (#2) to the L/R HB LEG (#1). Secure by using the Bolt (#A) with Lock washer (#C) and Flat washer (D).

1

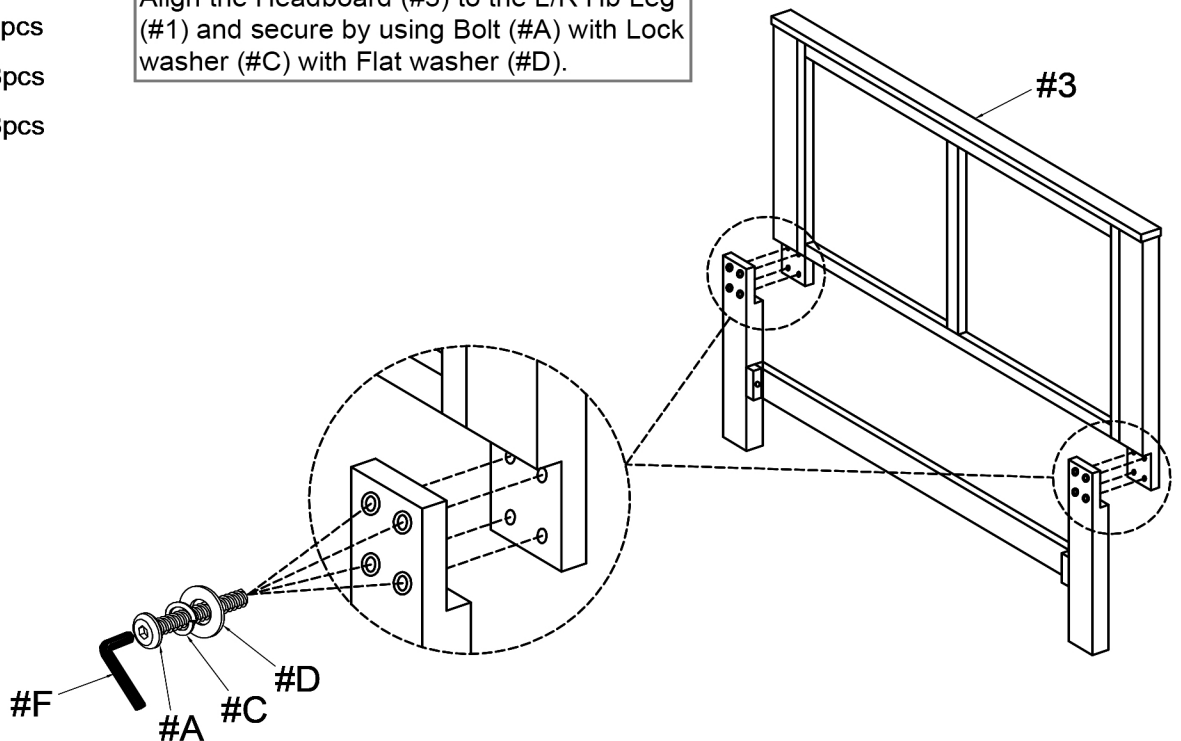
- Part #1 x2pcs
- Part #2 x1pc
- Hardware #A x2pcs
- Hardware #C x2pcs
- Hardware #D x2pcs
- Hardware #G x4pcs



2

- Part #3 x1pc
- Hardware #A x8pcs
- Hardware #C x8pcs
- Hardware #D x8pcs

Align the Headboard (#3) to the L/R Hb Leg (#1) and secure by using Bolt (#A) with Lock washer (#C) with Flat washer (#D).

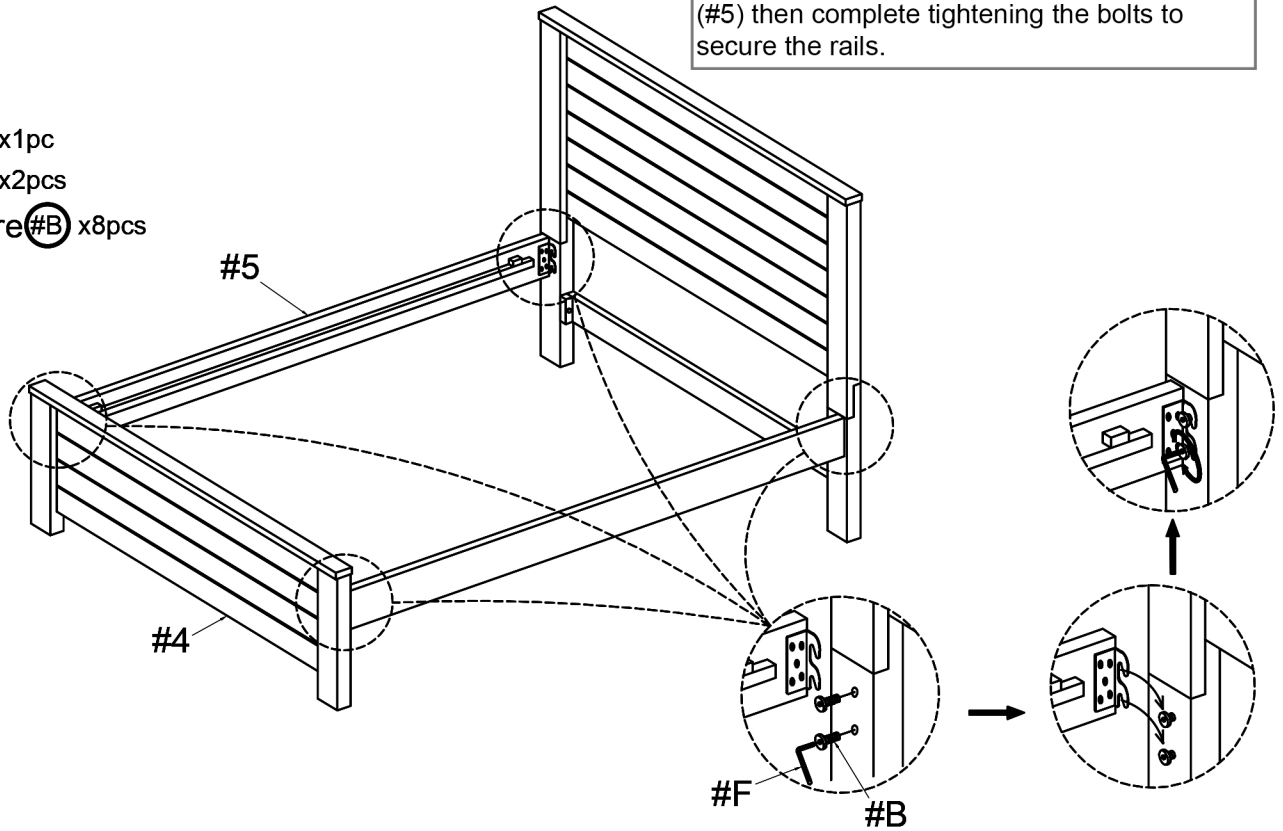


ASSEMBLY INSTRUCTIONS

Screw part of the Bolt (#B) to the HB legs (#1) and the Footboard (#4). Hook the side rails (#5) then complete tightening the bolts to secure the rails.

3

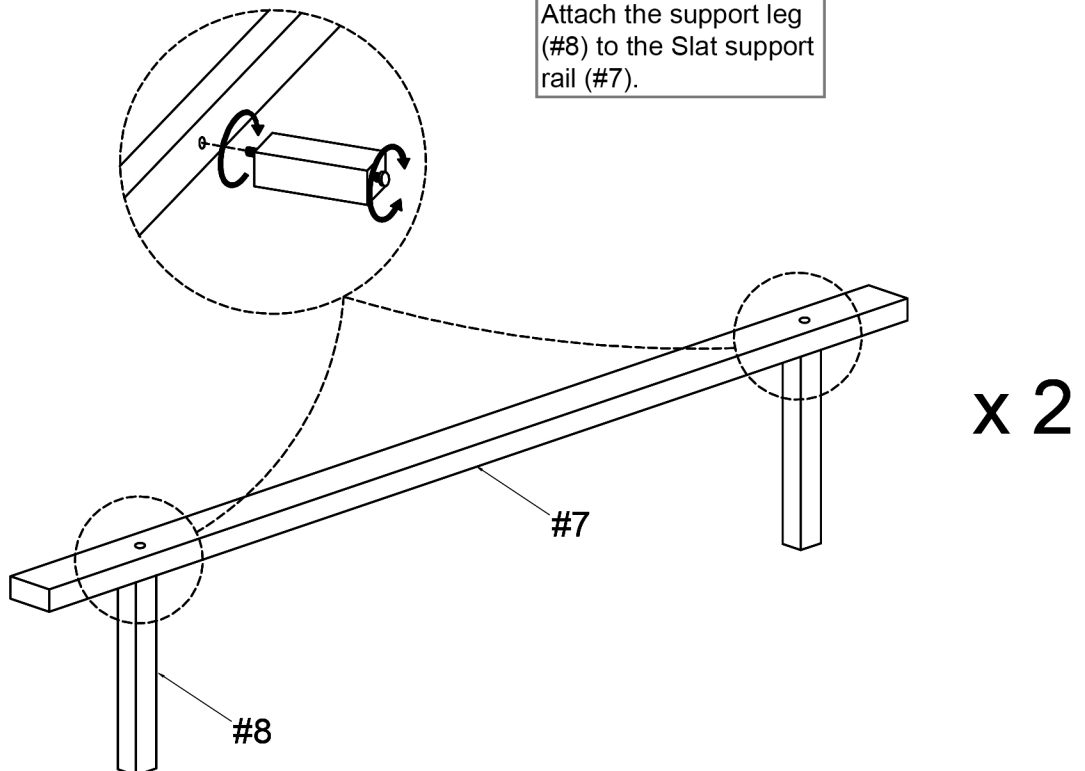
- Part #4 x1pc
- Part #5 x2pcs
- Hardware #B x8pcs



4

- Part #7 x1pc
- Part #8 x2pcs

Attach the support leg (#8) to the Slat support rail (#7).



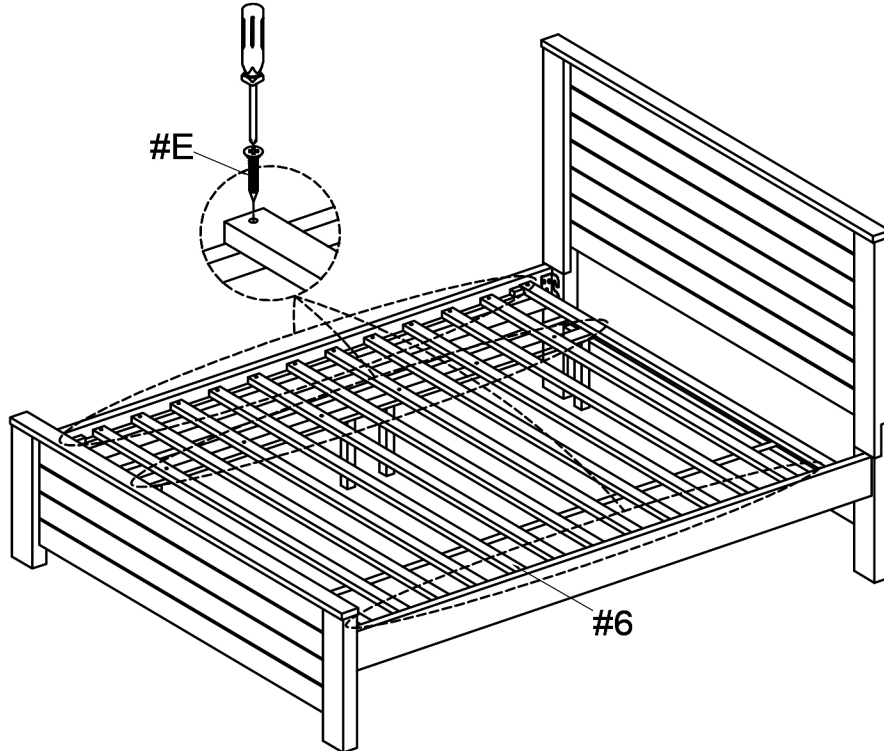
ASSEMBLY INSTRUCTIONS

Attach the Slat support rail (#7) to the slats (#6). Align the slats (#6) to the side rails (#5) and secure using Screw (#E).

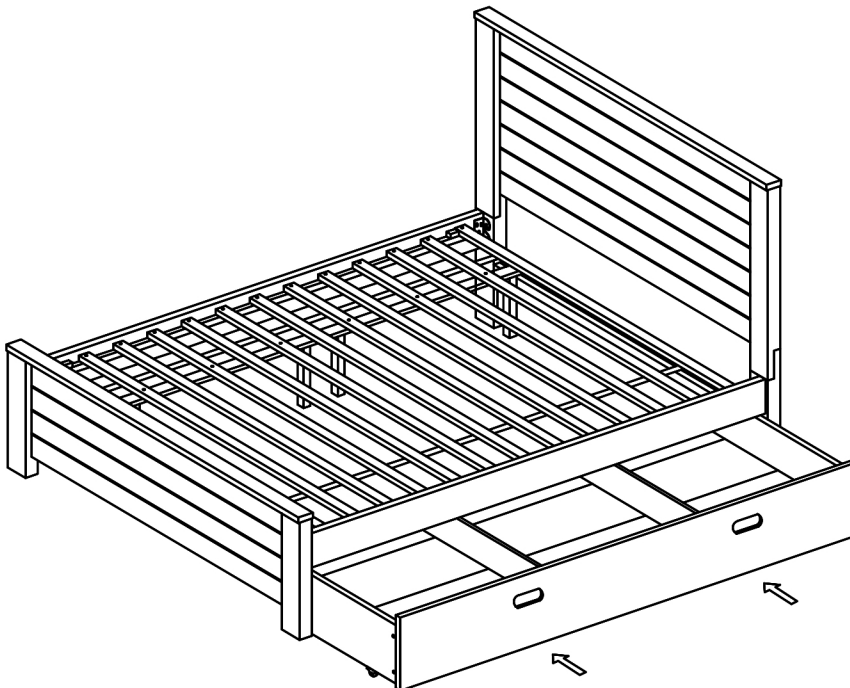
5

Part #6 x1set

Hardware #E x32pcs



6



ASSEMBLY COMPLETED



Please ensure the furniture rests on an even and flat surface. If the product wobbles or feels loose, double-check all bolts and/or screws are properly tightened and secured.



Keep this handy!

Please retain this instruction manual and any order-related information for future reference.



Lift, don't drag!

To avoid damage to product please always LIFT the product when transporting or adjusting the placement.