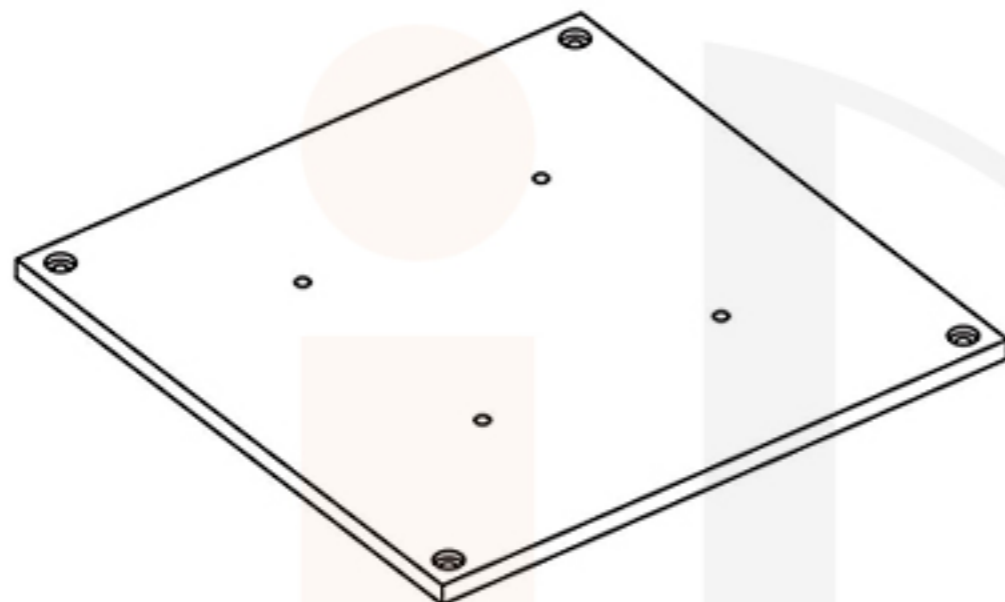
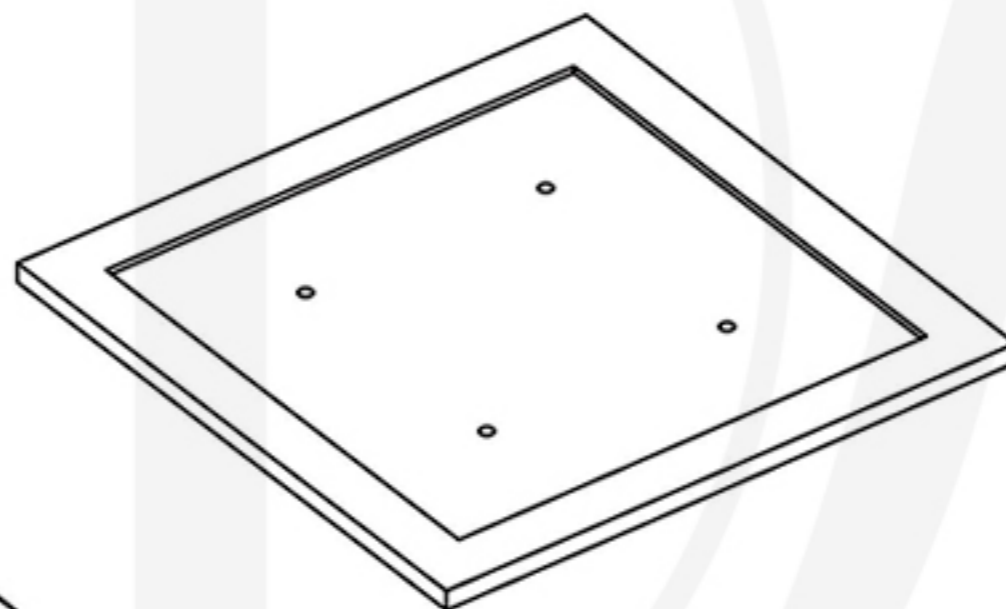


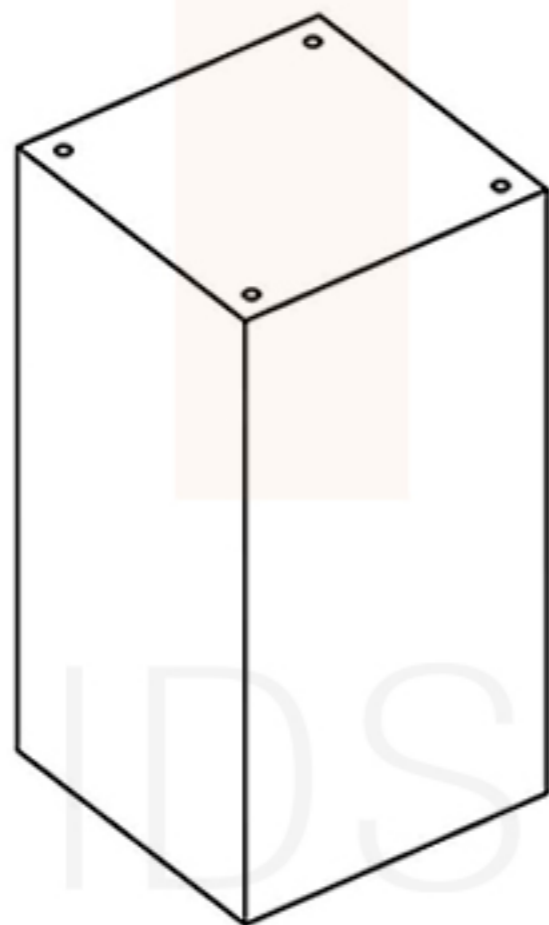
ASSEMBLY INSTRUCTION



18920-001-TOP X 2



18920-001-bottom X 2



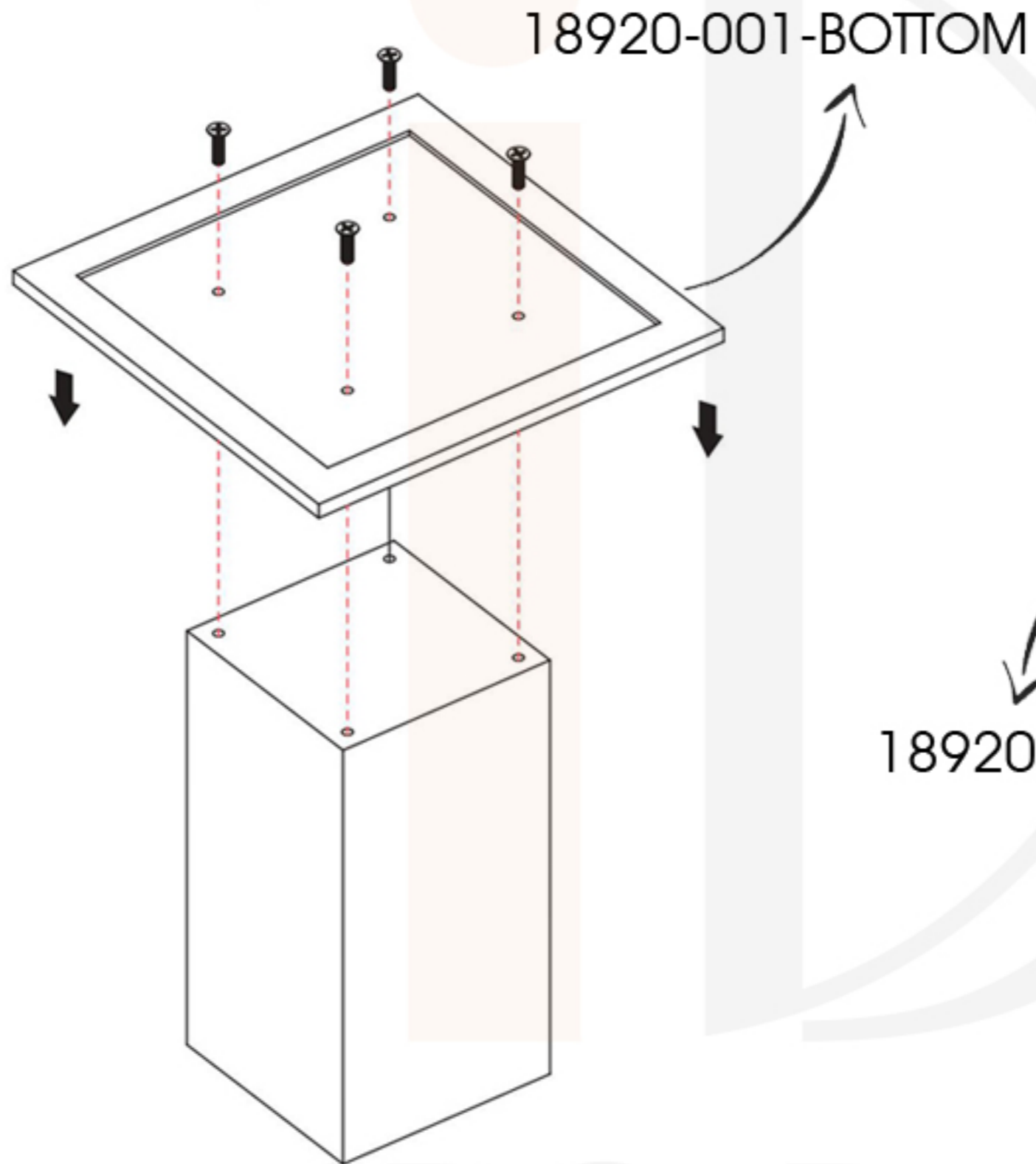
18920-002 X 2

HARDWARE PACK

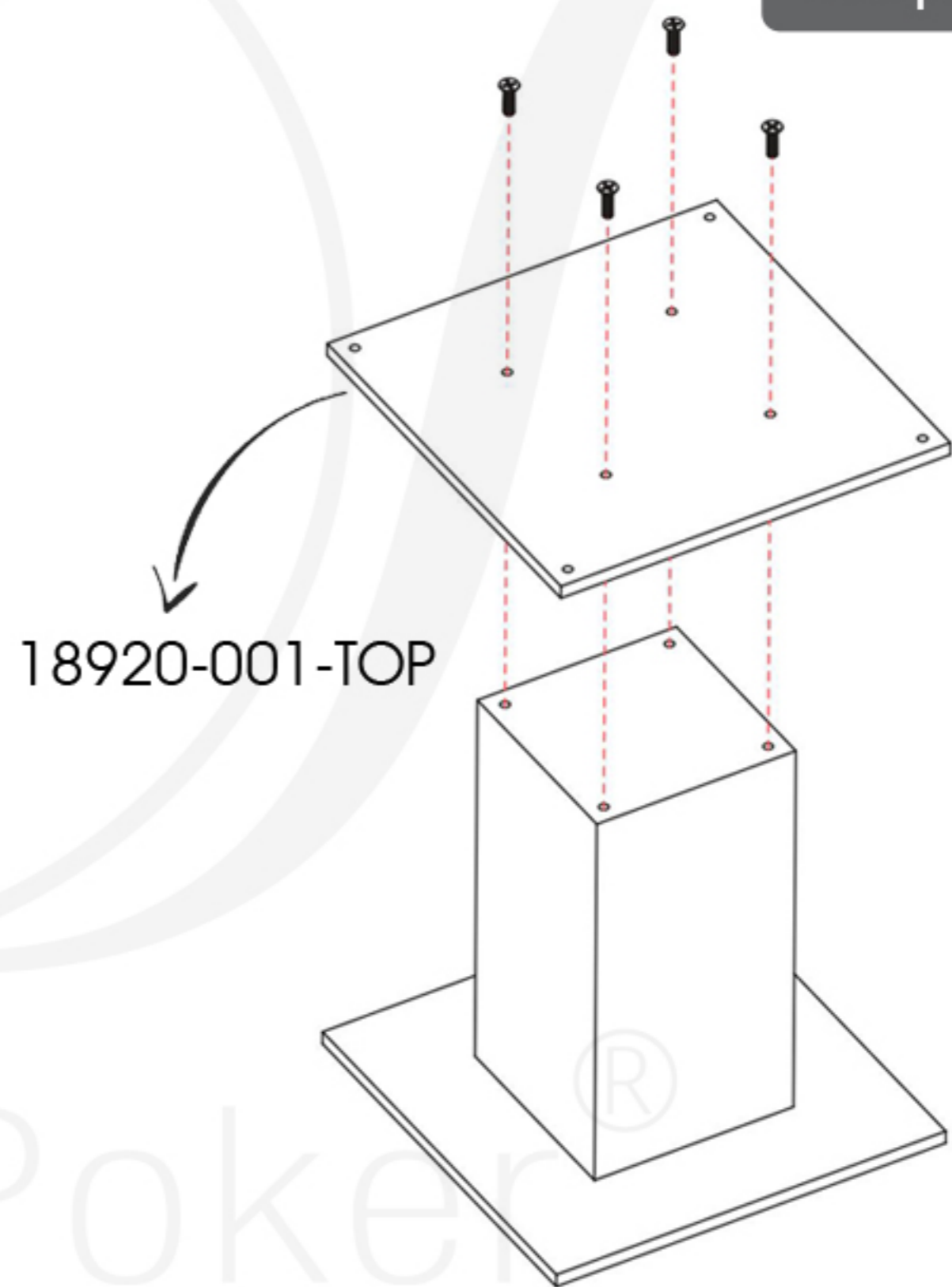


Screws X 24

Step 1



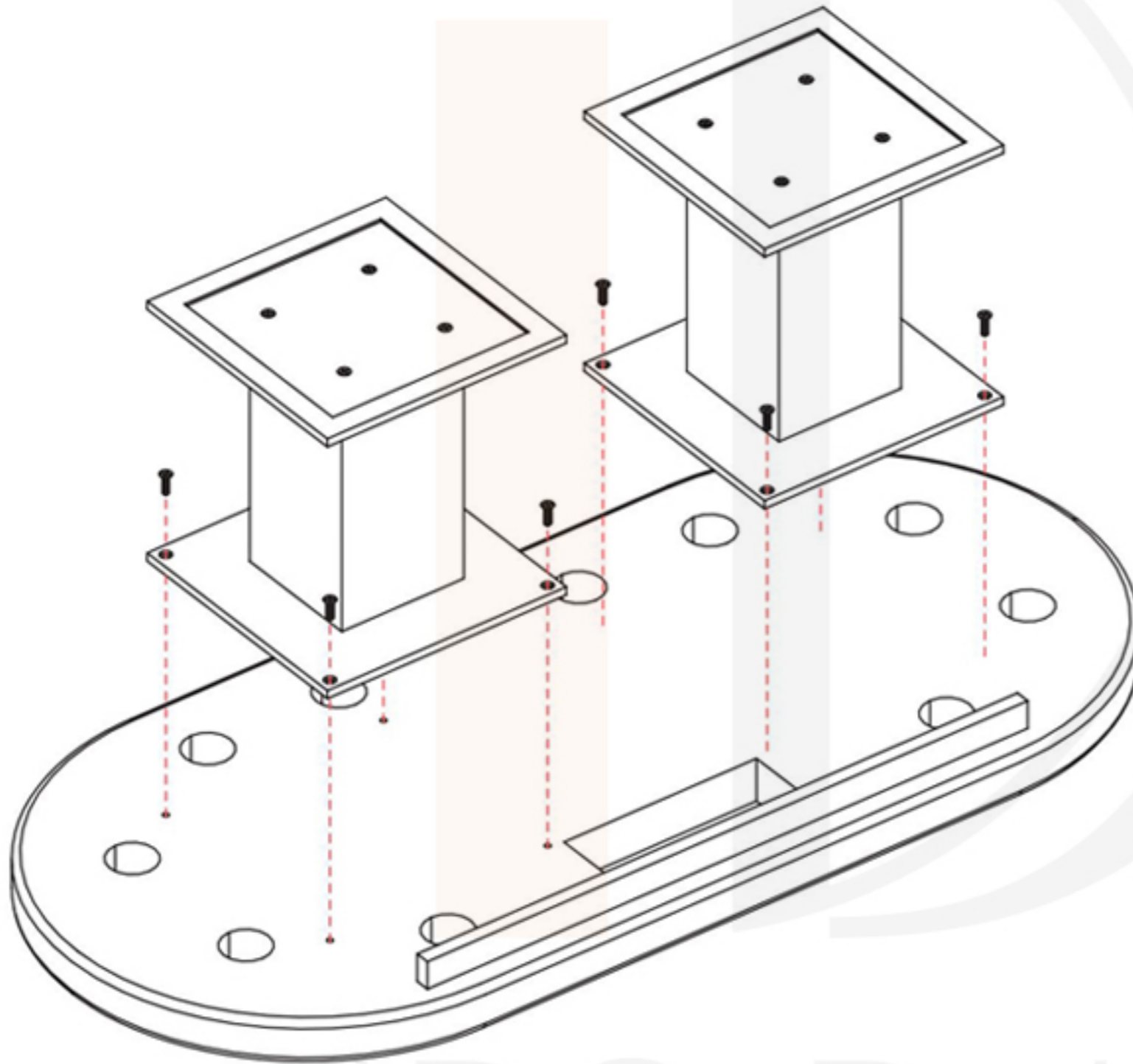
Step 2



ASSEMBLY INSTRUCTION

IDS Poker®

Step 3



Turn the table TOP over, then put the installed column in the appropriate position, please note that 18920-001-top(raw wooden color) is the plate close to the table side. then screw the preset hole to fix the table legs and the table. Turn the table over again at the end.

IDS Poker®