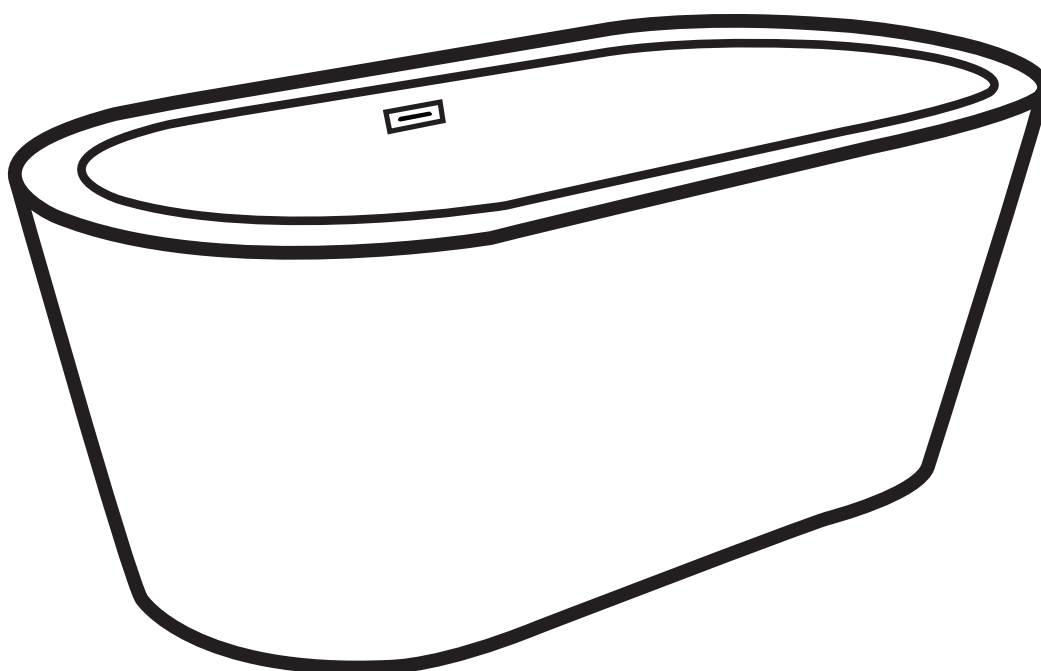


INSTALLATION INSTRUCTION

DeerValley®

Freestanding Bathtub





Prior to Installation:

- Inspect freestanding bathtub to ensure no damages have occurred while in shipping.
- Observe all plumbing and building codes in accordance with your state and local requirements.
- If you purchased a brushed nickel trim kit, it must be installed before installing the bathtub (Brushed nickel trim not available on all models).
- All pre-installed parts must be checked and retightened before installation.
- Check bathtub for correct model and size. If at any point during the pre-installation inspection and water test, you discover a problem with the bathtub or piping system, do not install the unit and contact us immediately.

General Recommendations:

Please read installation and maintenance instructions thoroughly before installing the freestanding bathtub.

Be sure to use proper tools and always wear proper personal safety accessories for your protection.

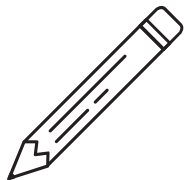
**If you have any questions and concerns
please contact us:**

(+1) 312-626-9466
service@deerValleybath.com

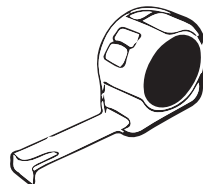
SUGGESTED TOOLS AND MATERIALS



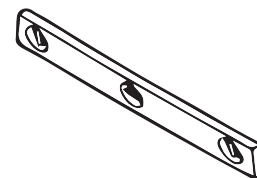
Gloves



Pencil



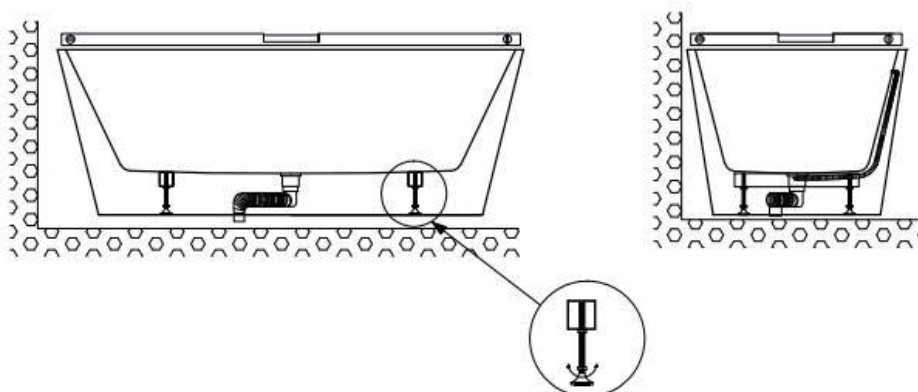
Tape Measure



Level

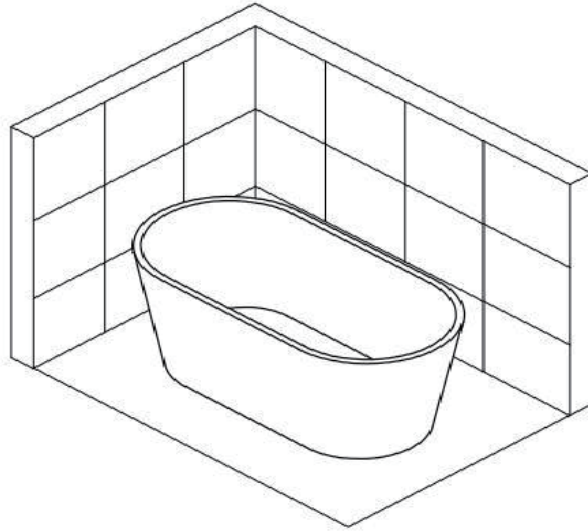
INSTALLATION INSTRUCTION

1. Clean, level, and prepare the floor for installation.
2. Determine the location of the drain pipe on the floor by taking measurements of the drain and waste location beneath the unit.
3. Place the bathtub in the designated space ensuring that the drain and waste locations match with that of the tub and adjust the balancing feet as needed, using a level.



Adjustable Balancing Feet

4. After adjusting the balance of the bathtub with a level, use white/clear silicone around the tub base to complete installation.



CLEANING AND MAINTENANCE

1. The bathtub is usually cleaned with general liquid detergent and soft cloth, can not use the detergent that contains acetone or ammonia water element. When you disinfect the bathtub, please use disinfectant without formaldehyde.
2. Surface stain can be rubbed with toothpaste on a soft cloth.
3. For the mild abrasions or burns on the surface, you can use wet No.2000 waterproof abrasive paper to polish this area, then buffing the ground where it is polished.
4. Wipe the dirt on the electroplating parts with a soft cloth. Do not use coarse cloth or thinner to wipe it.
5. It is strictly forbidden to strike the bathtub with sharp hard objects.

LIMITED WARRANTY COVERAGE

2 YEAR LIMITED WARRANTY

DeerValley products are made with quality materials and excellent craftsmanship to provide the customers a long-lasting product. In the case of any defects in materials or craftsmanship under regular use were inspected in the first two year of delivery, DeerValley will provide replacement parts at no charge, or at its option, replace any product or part of the product that is deemed defective, under normal installation, use, service and maintenance. This warranty applies only to the original purchaser. Proof of purchase will be required in the case of a claim. **SCRATCHES ARE NOT COVERED UNDER WARRANTY.**

The manufacturer warrants this product to be free of manufacture defects during the above mentioned warranty time. Please keep a copy of the original invoice as proof of purchase.

DeerValley will, as its option, (1) repair or replace the defective part(s) or product(s) at no charge; (2) issue a refund of the original purchase price of the product(s) (Valid within 30 days from the date of delivery); or (3) issue a credit to be applied toward the purchase of a new DeerValley product shipping/delivery charges may apply and are in DeerValley sole discretion.

DeerValley recommends the installations to be made by a licensed, professional plumber. DeerValley will not be held responsible for any damage or product failure due to improper installation, misuse, or failure to use a licensed professional. DeerValley is not responsible for any removal or installation cost.

This limited warranty shall not apply to goods which have been subject to accident, negligence, improper installation, product abuse, product misuse, or use of cleaners containing abrasives, alcohol or other organic solvents, whether performed by a contractor, service company, or yourself, are excluded from this warranty.

DeerValley responsibility under this limited warranty is limited to only to replacement parts and no other costs. DeerValley will not be responsible for labor charges and/or damage incurred by installation, repair or replacement, nor for any indirect incidental or consequential damages, losses, injury or costs of any nature relating to this product Except as provided by law, this limited warranty is in lieu of and excludes all other warranties, conditions, and guarantees, whether expressed or implied, statutory or otherwise, including without restriction those merchantability of fitness for use.

RESPONSIBILITIES OF OTHERS

Inspecting the unit prior to installation is the responsibility of the installer or building contractor who acts on behalf of the user. They are responsible for ensuring the unit is free of defect or damage.

Notices are placed on and in the unit and on the shipping carton advising the installer of this responsibility.

In the event of a problem, the unit must not be installed. DeerValley is not responsible for failures or damage that could have been discovered, repaired, or avoided by proper inspection and testing prior to installation.

Damage occurring in transit is the responsibility of the carrier. The user or installer **MUST** open the crate and inspect the unit for damage when it is delivered. If damage is discovered, it must be reported immediately to the seller and the carrier in writing, and an inspection requested. Failure of the carrier to respond should be reported to the seller and the carrier. Your freight claims should be filed promptly thereafter.

LIMITATIONS AND EXCLUSIONS

This warranty does not cover instances of negligence, misuse, abuse, improper installation, carelessness, accident, hard water or mineral deposits, exposure to corrosive materials, misapplication, damages caused by improper maintenance, alteration of the product, or failure to follow care or installation instructions enclosed with your product. This warranty is void if the DeerValley is subject to alteration, or if repairs are attempted by anyone other than an authorized agent of DeerValley. This warranty does not extend to plumbing or components installed by dealers, installers or by any party other DeerValley.

DeerValley will not be liable for loss of use of the DeerValley inconvenience, or any other incidental or consequential costs, expense or damages. Please note that some states do not allow the exclusion or limitation of incidental damages.

DISCLAIMER

Except as expressly provided, there shall be no warranty or obligation, express or implied, oral or statutory. No dealer or other person has the authority to make any warranties or representations concerning DeerValley or its products. In no event shall DeerValley be held responsible for any such warranties or representations.

WARRANTY SERVICE

NOTE: When requesting warranty, be sure to have the following:

- Copy of original invoice
- Date of installation
- Description and pictures of defect
- Model number or description of model

To obtain warranty service and replacement part, please contact DeerValley Customer Service. DeerValley will determine whether to repair or replace your product, issue a refund, or issue a credit.