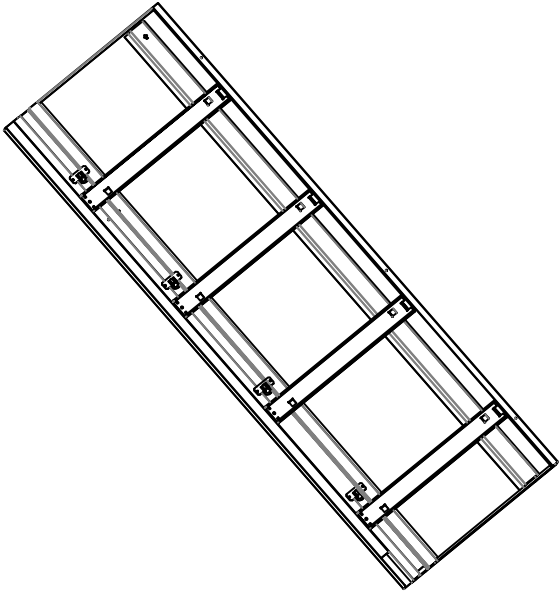


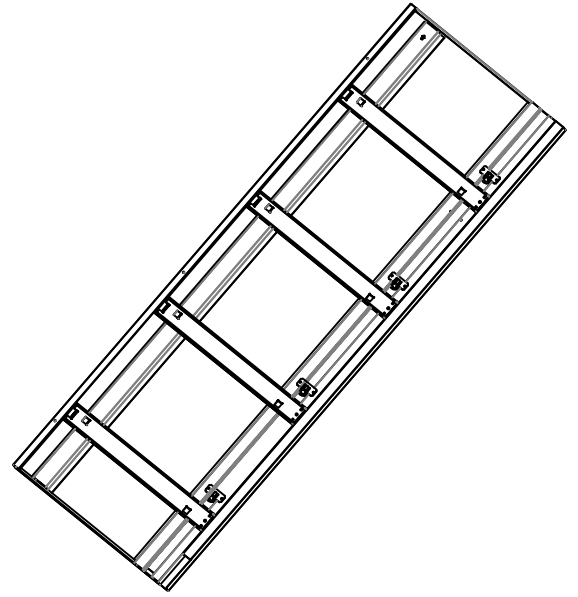
A -Left Panel

1 PC



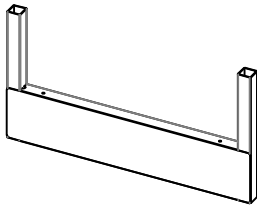
B -RightPanel

1 PC



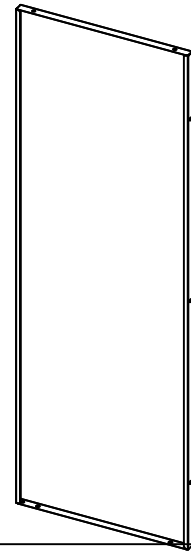
C -Underside Frame

1 PC



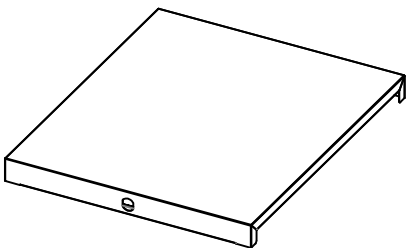
D -Back Panel

1 PC



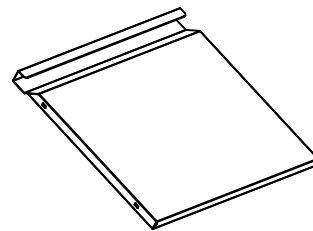
E -Top Panel

1 PC



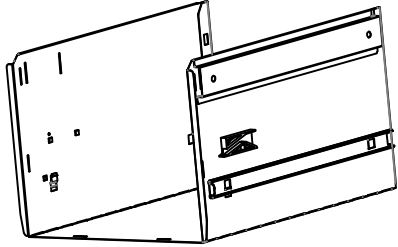
F -Drawer Front Panel

4 PCS



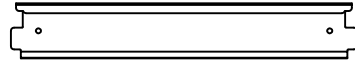
G -Drawer Chest

4 PCS



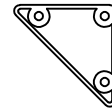
I

4 PCS



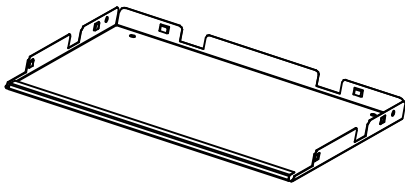
K

4 PCS



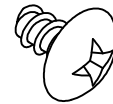
H -Drawer Back Baffle

4 PCS



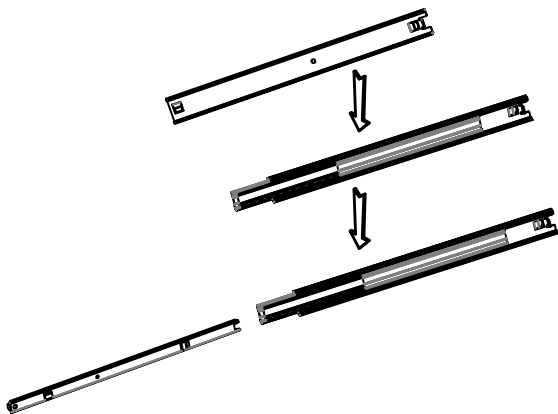
L

26 PCS

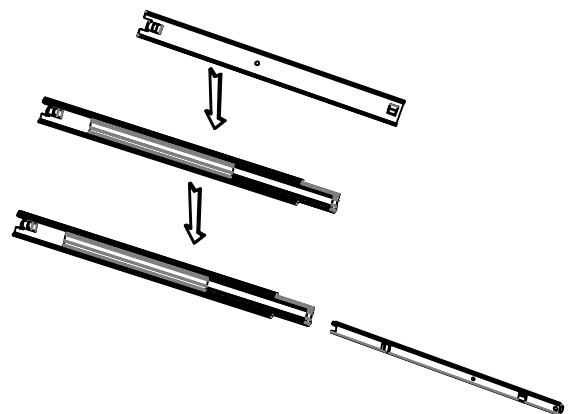


Schematic diagram of slider removal

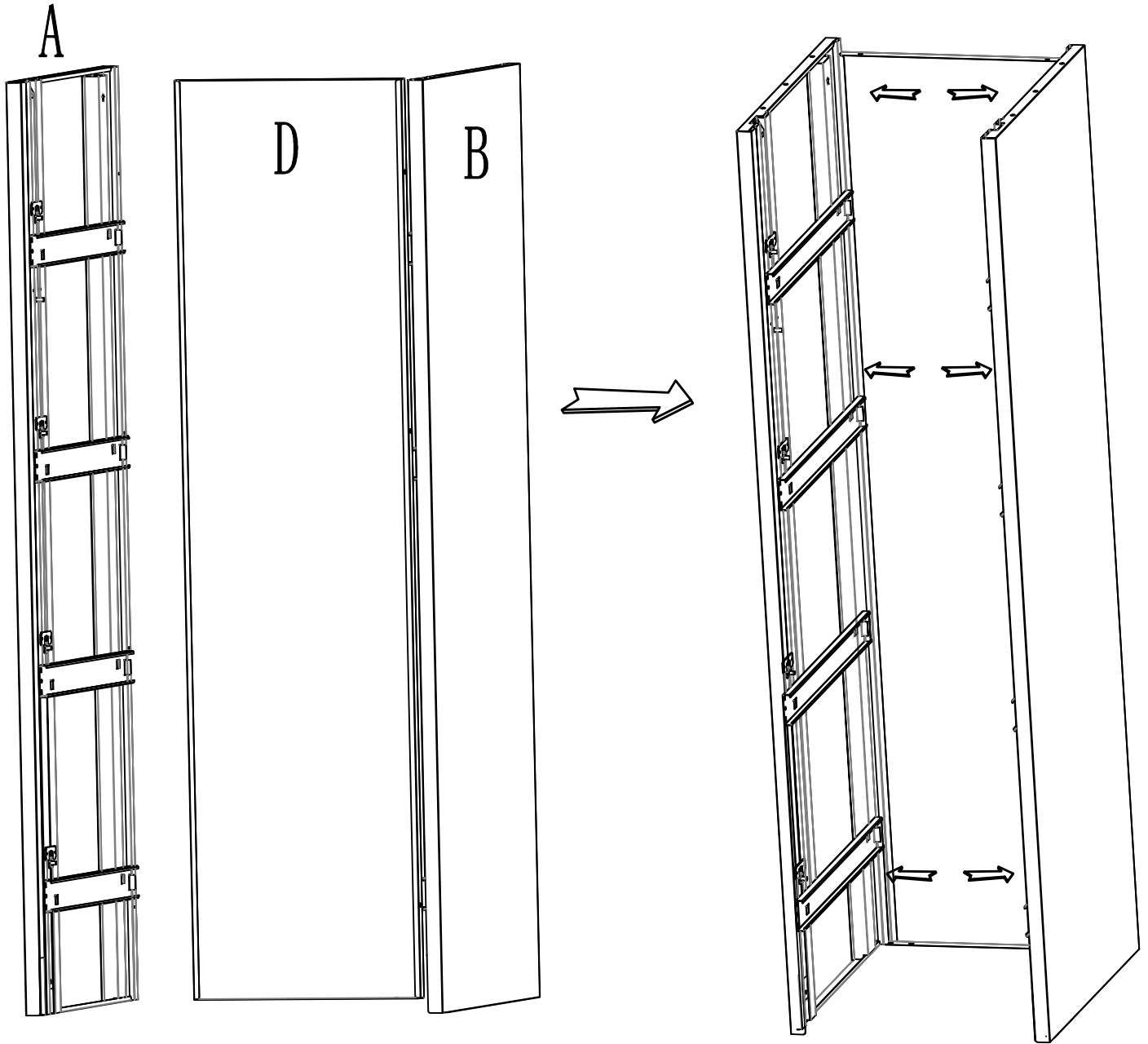
Left



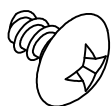
Right



First Step

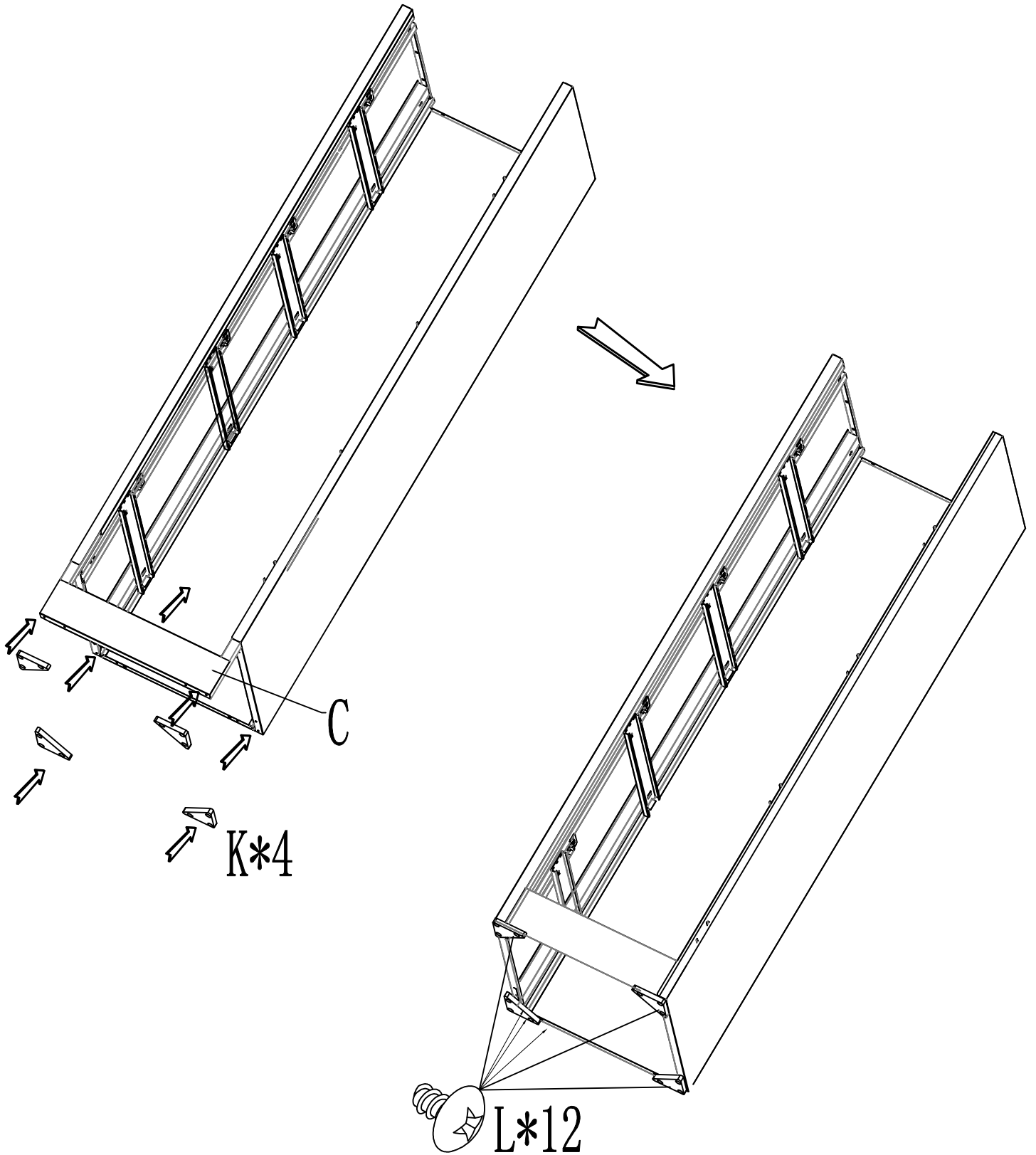


L

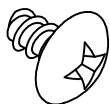


6 PCS

Second Step

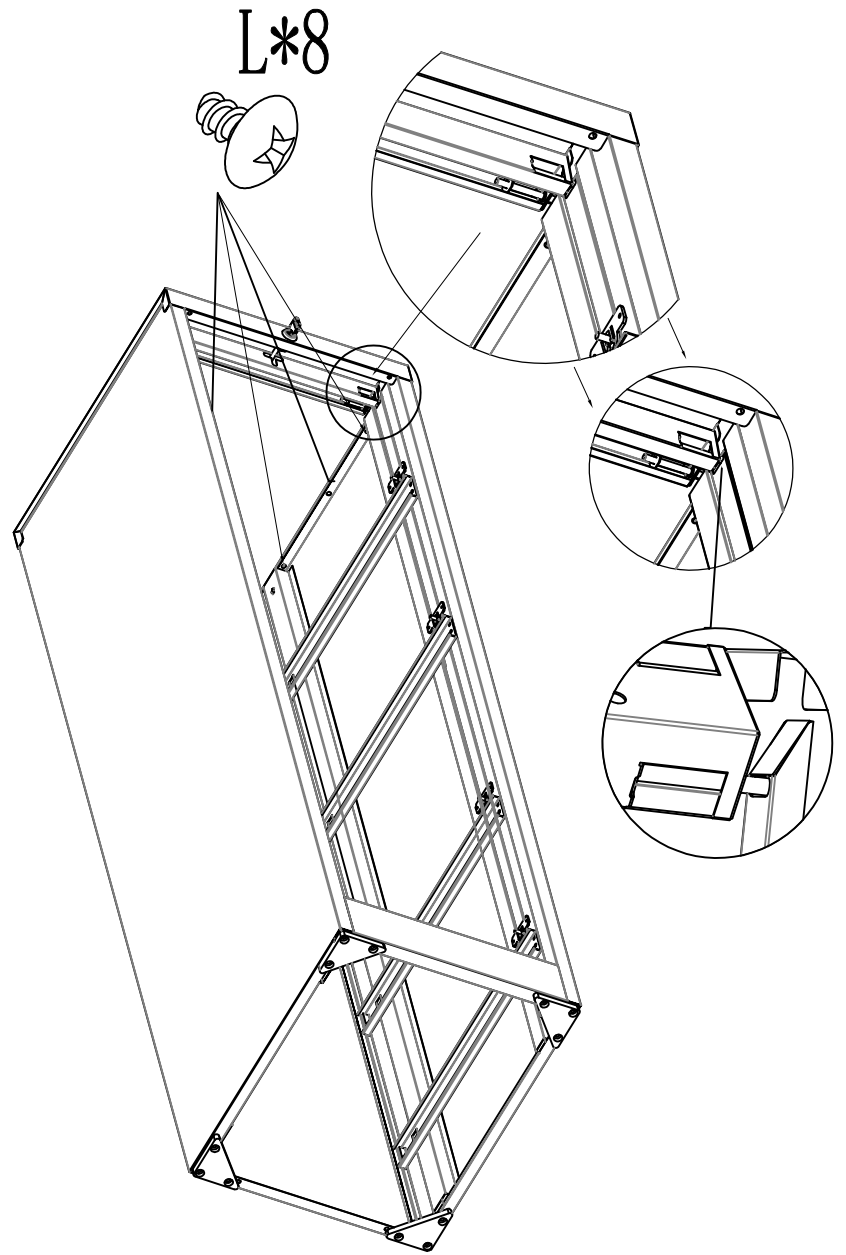
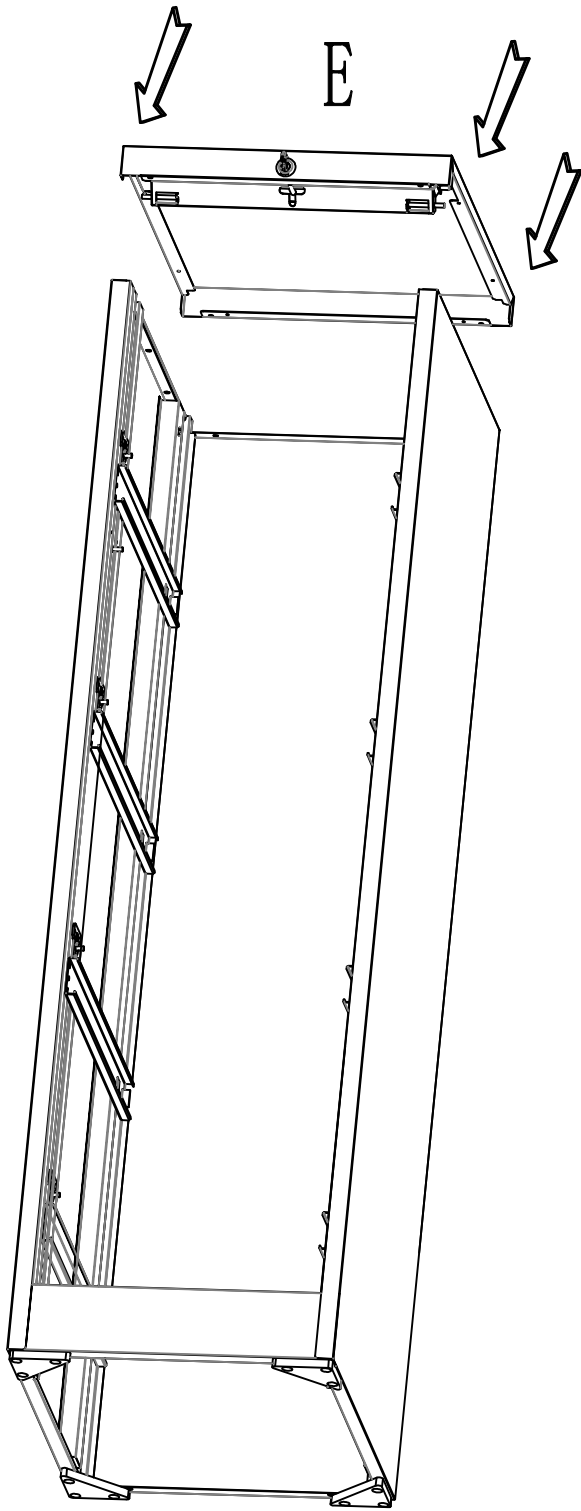


L

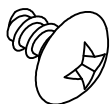


12 PCS

Third Step

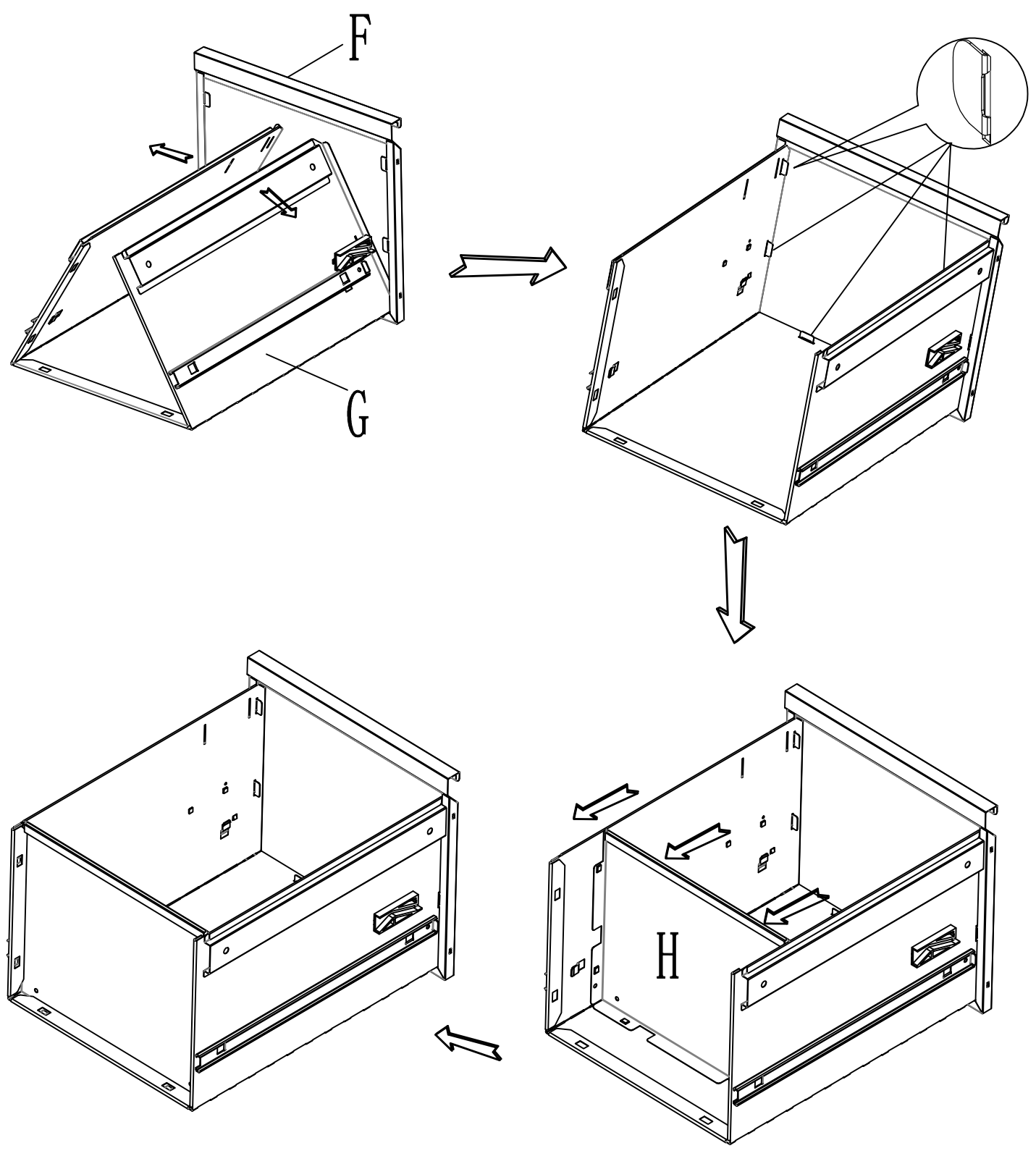


L

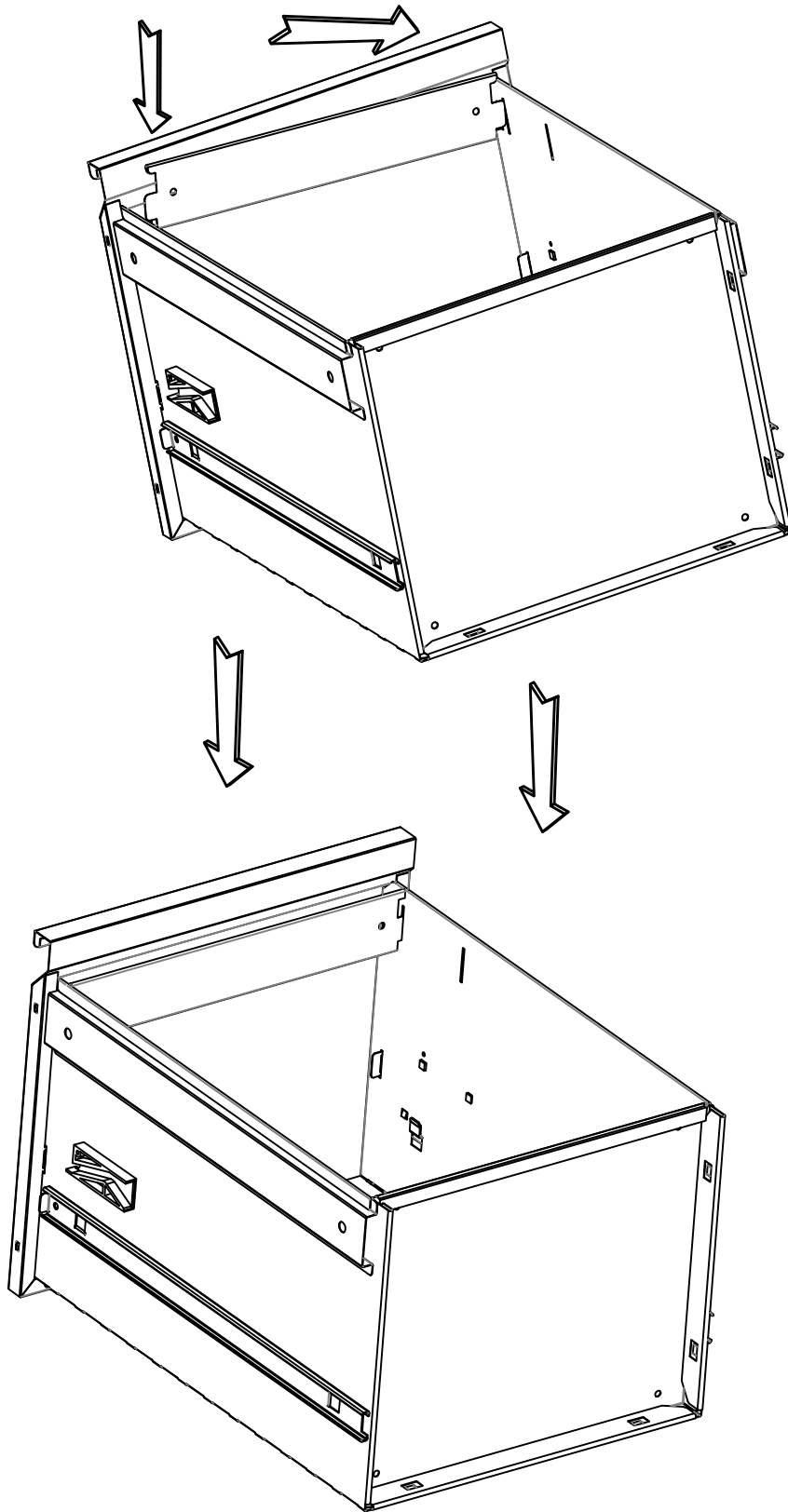


8 PCS

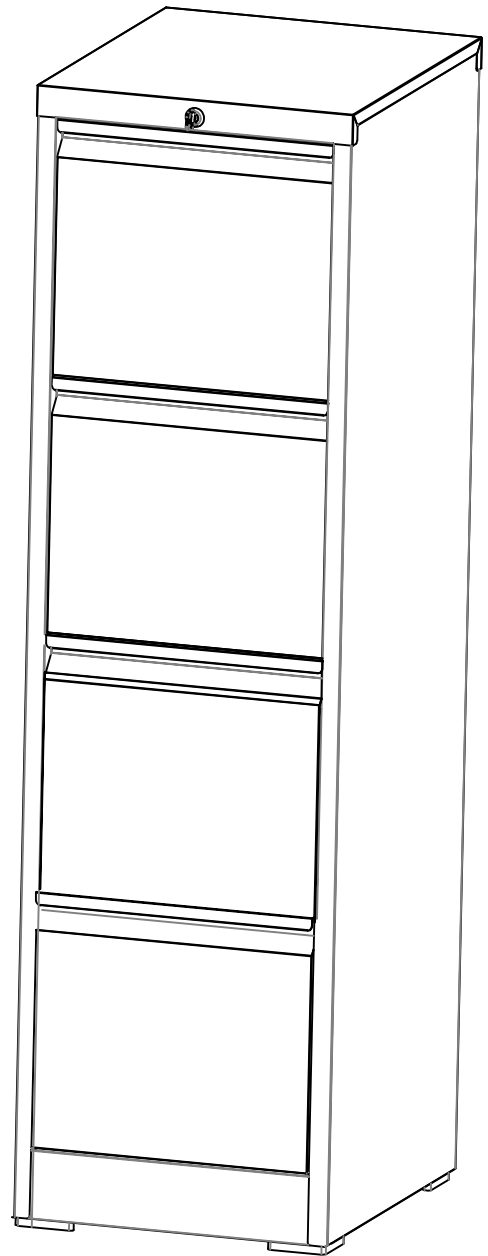
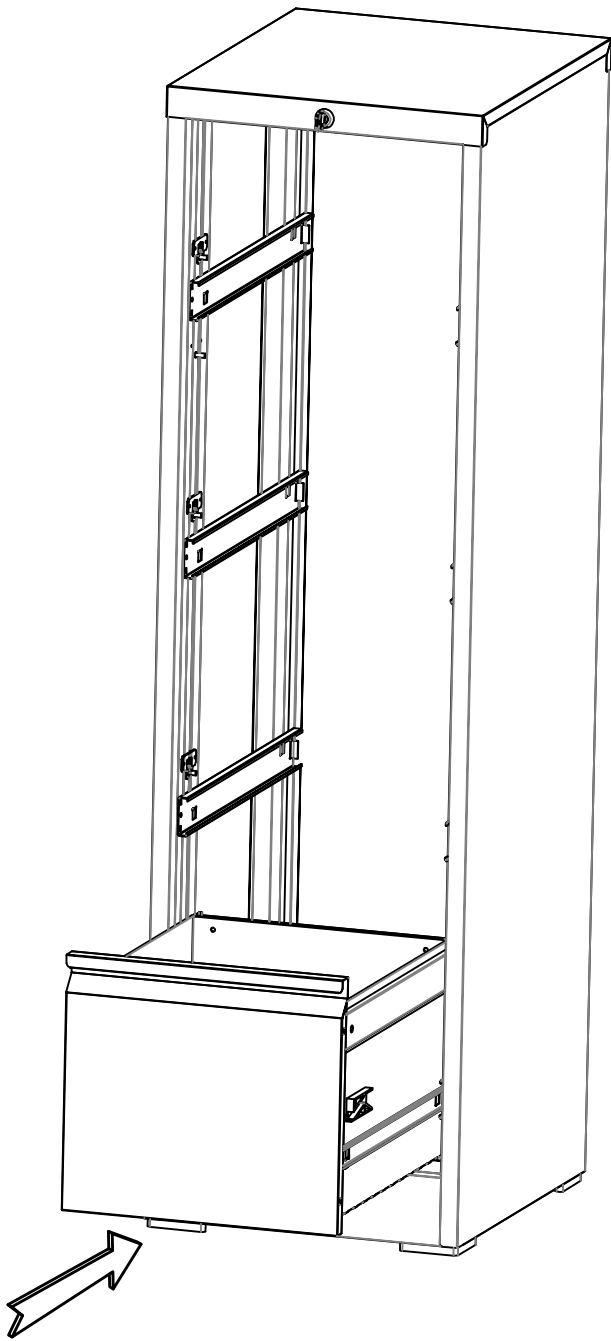
Fourth step



Fifth Step



Sixth Step



Must step:A First slide the steel ball to the front of cabinet's outer slide

B:Insert the inside railway course on both sides of drawer on the outside railway course of cabinet at the same time.Two people must put the drawer flat and insert it slowly and synchronously ,After inserting it to the end,Pull it out slowly twice,the slide track works normally .If it works fails,please follow the slide track removal instructions,open it and reinstall it.

