

INSTALLATION AND CARE GUIDE

BEFORE YOU BEGIN



Prior to installation, thoroughly read and comprehend this manual.



We recommend professional installation for optimal results.



Shield surfaces from sharp objects, high heat, and chemicals.



Verify all components against the **PART LIST**. Promptly inform your retailer of any missing items.



Two-man crew handling needed

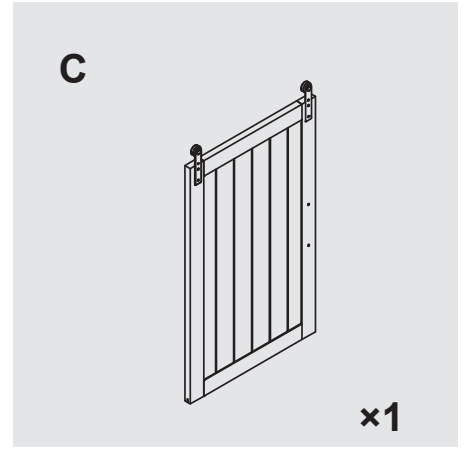
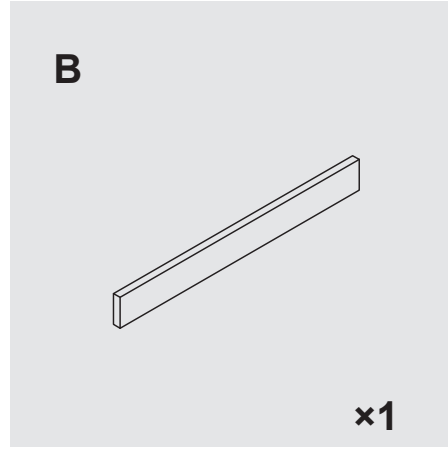
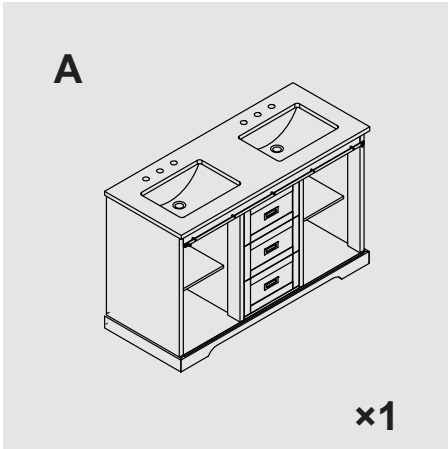


Do not lift or carry the backsplash flat



Always carry or move the backsplash vertically to avoid breakage

WHAT'S INCLUDED IN THE PACKAGE



A. VANITY

B. BACKSPLASH

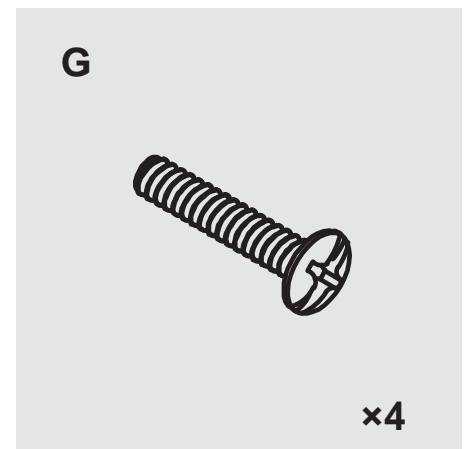
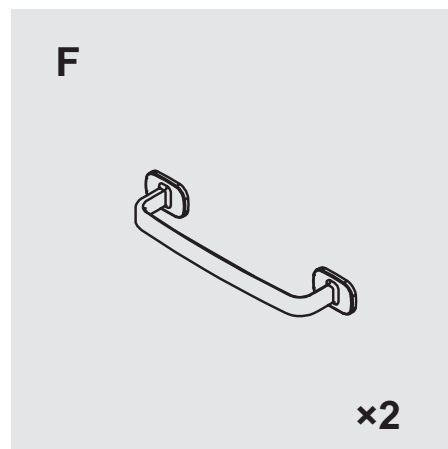
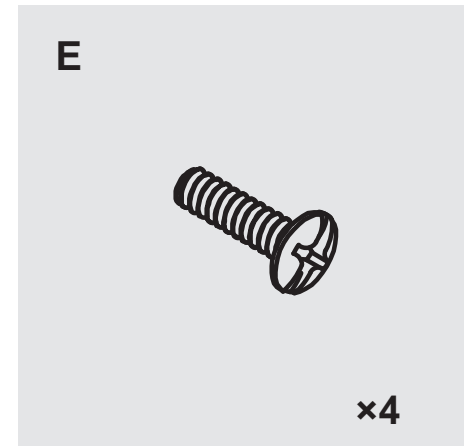
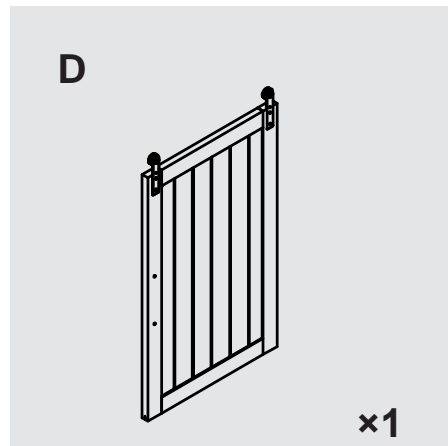
C. LEFT DOOR

D. RIGHT DOOR

E. BOLT-Ø5/32"x16mm

F. HANDLE

G. BOLT-Ø5/32"x25mm

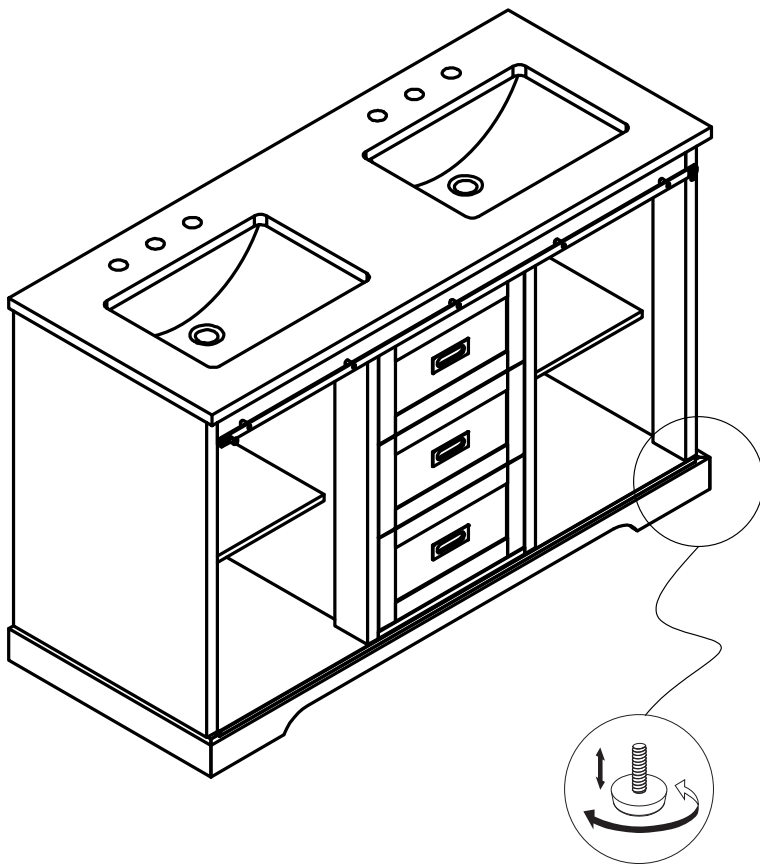


INSTALLATION INSTRUCTION

STEP1. Adjust the vanity's height at its final location.

Note:

Rotate the adjustable leveler foot pins, located on the bottom of each leg, to adjust the vanity's height.

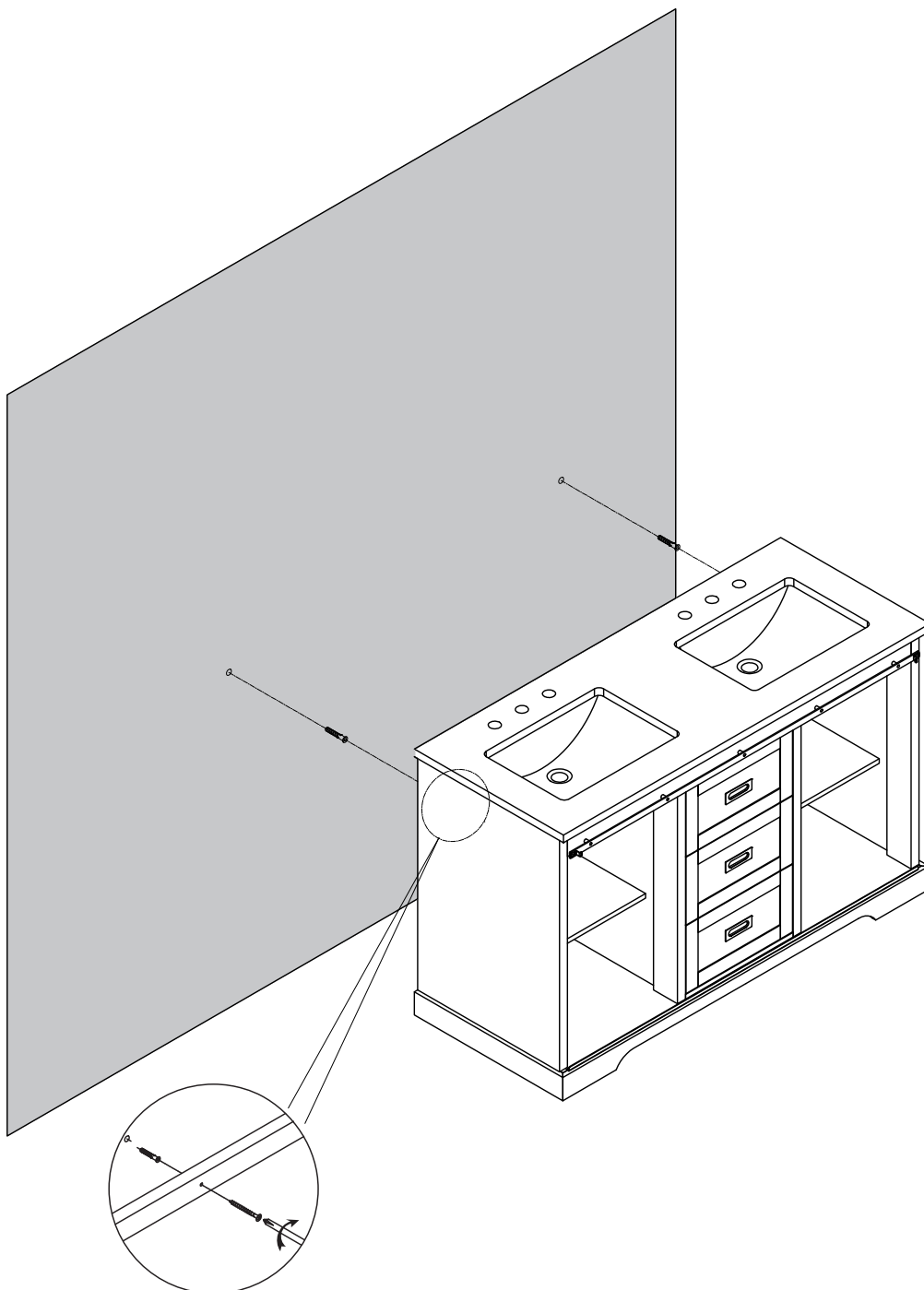


INSTALLATION INSTRUCTION

STEP2. Mount the vanity to the wall (mounting hardware not included). Ensure the vanity is securely fastened using suitable hardware based on your wall type. Exercise caution to avoid disrupting any hidden electrical or water lines present within the wall.

Note:

It is crucial to securely fasten the vanity to the wall.

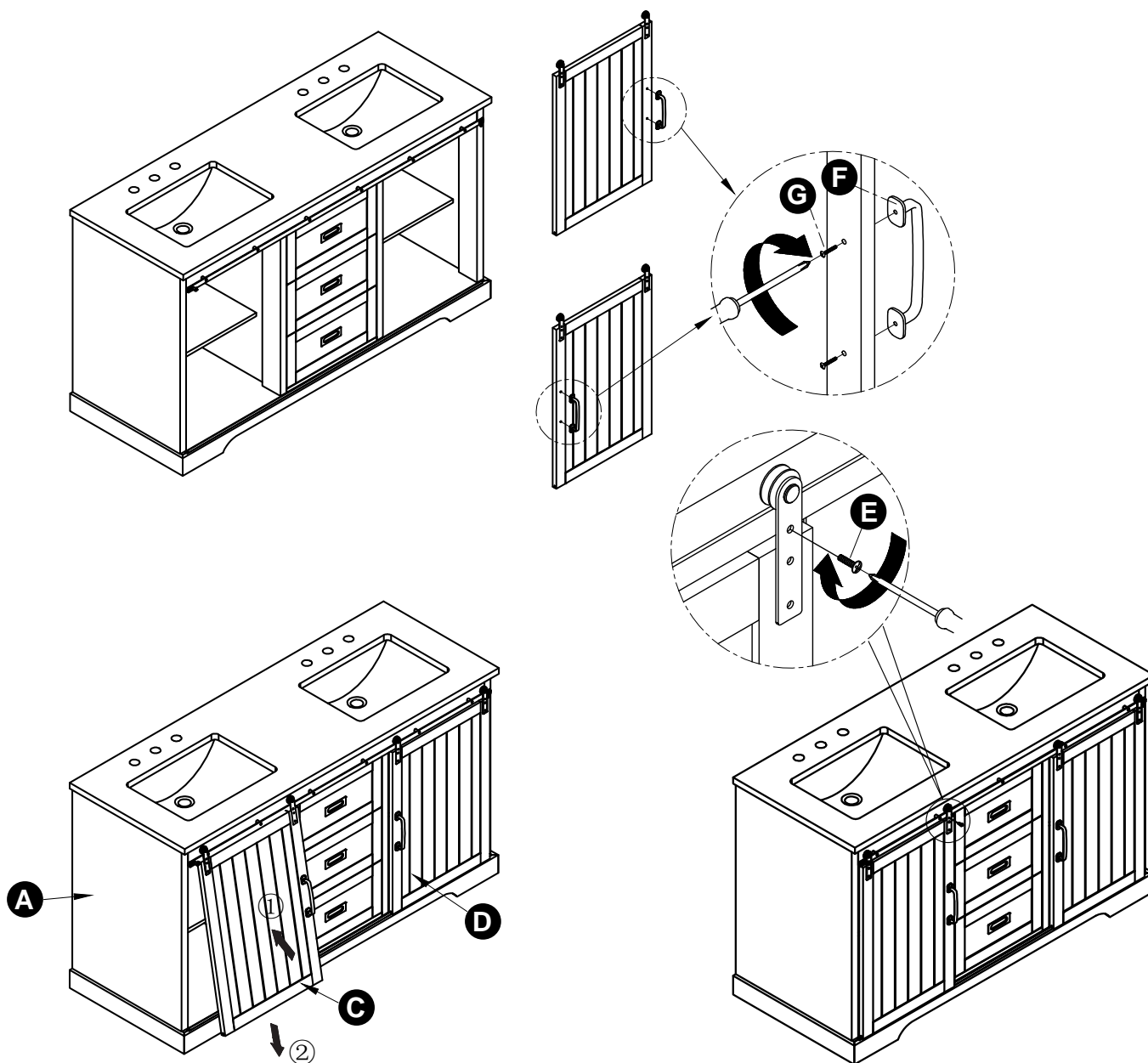


INSTALLATION INSTRUCTION

STEP3. Attach the Barn Door.

Note:

- a. Begin by attaching the door handle using screw G before proceeding with the door installation.
- b. For door installation, position the top door wheels into the upper cabinet track to hang the door securely. Once hung, gently lift the door slightly to allow the bottom groove to align with the cabinet floor track.
- c. Once the door is correctly positioned, securely fasten it in place using screw E.

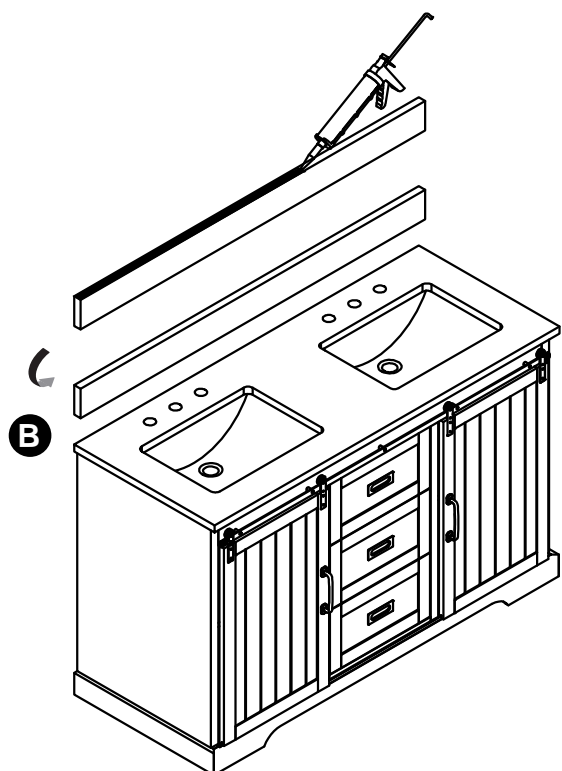


INSTALLATION INSTRUCTION

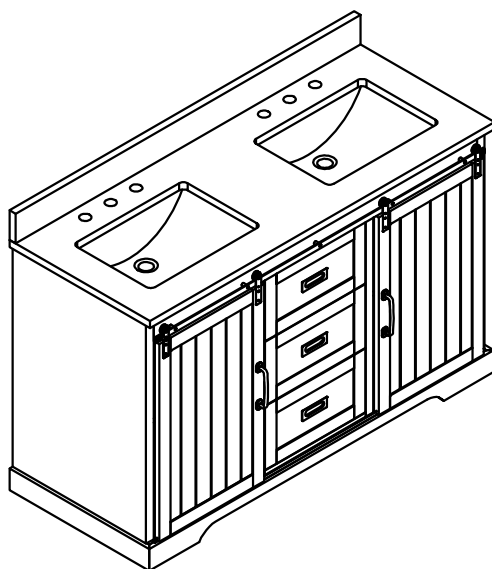
STEP4. Attach the Backsplash (Optional).

Note:

Allow the unit to stand for 24 hours to ensure the silicone is fully dried. Please note that the backsplash is an optional component and can be added or omitted according to your personal preference.



 24H

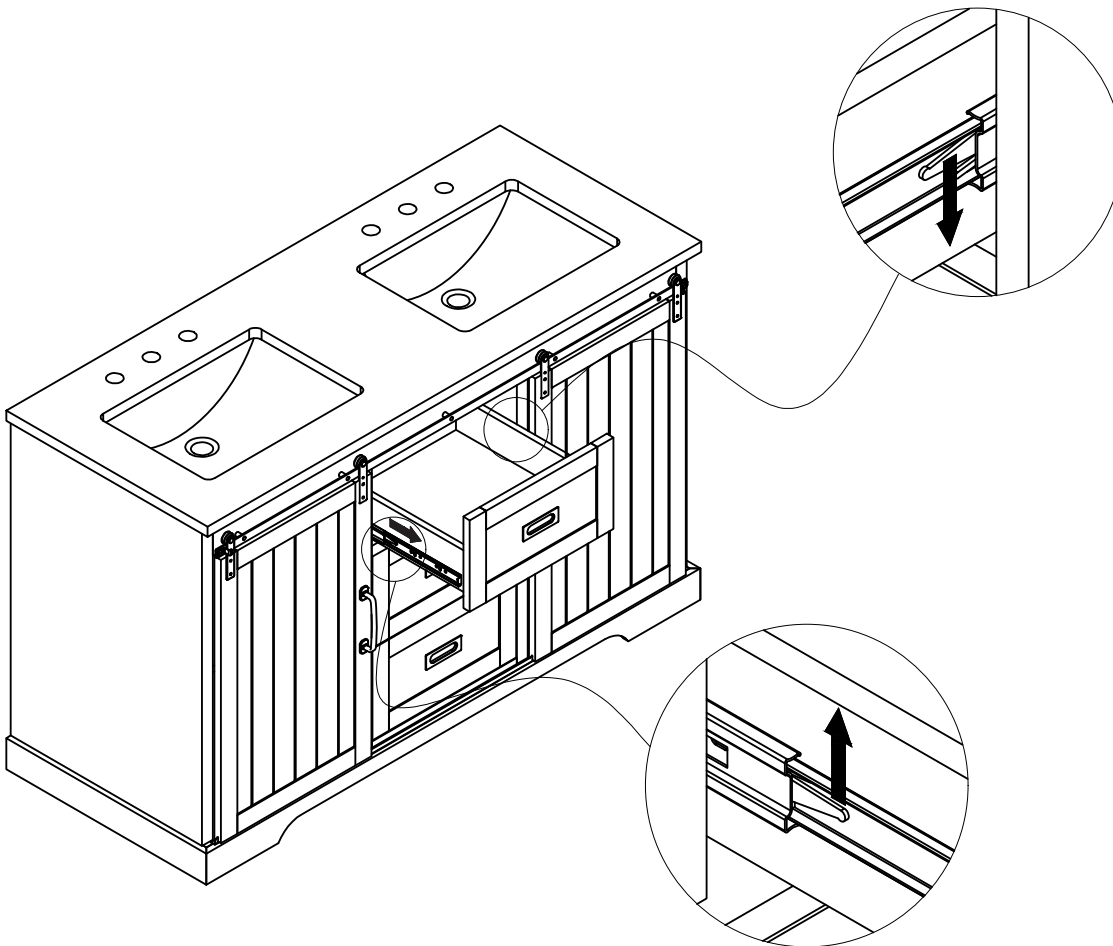


INSTALLATION INSTRUCTION

To Remove or Reinstall the Drawers (If needed)

To Remove the drawer, follow these steps:

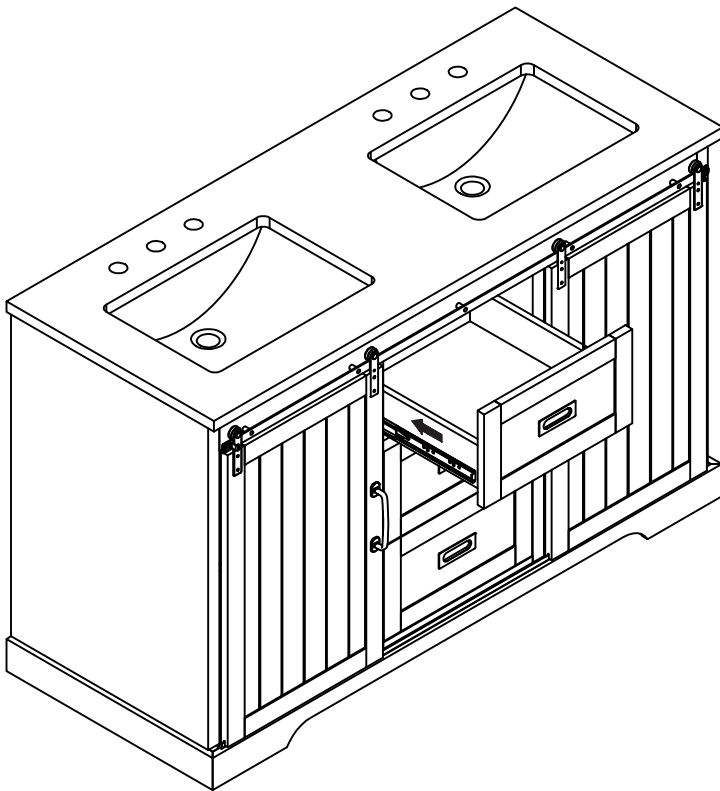
- a. Fully extend the drawer.
- b. Simultaneously press the clips on both sides of the drawer slides (push upward on the left side and press downward on the right side).
- c. While holding the clips, smoothly pull the drawer out from the slides to complete the removal process.



INSTALLATION INSTRUCTION

To Reinstall the drawer, follow these steps:

- a. Return the cabinet slides to their original position, ensuring the part with the ball bearings is positioned toward the front.
- b. Align the drawer with the cabinet slides and slowly push it all the way inside.
- c. Test the drawer by opening and closing it to ensure proper installation.



CARE AND MAINTENANCE

By following these care guidelines, you can help preserve the appearance and longevity of your bathroom vanity.

For the Stone,

It is recommended to seal your stone at least twice a year with a high-quality stone sealer. This helps prevent staining and discoloration. The need for resealing can be determined when water no longer beads on the surface. For best results, apply the sealer before using your vanity.

Keep the stone top dry and clean at all times. Immediately blot up any liquid spills gently to prevent them from penetrating the surface.

When cleaning the stone top, use a soft cloth and neutral soapy water or a cleaning product specifically designed for stones. Avoid using chemical or abrasive cleaners, as well as products containing lemon, vinegar, or other acidic substances.

Place mats or coasters under any items placed on the countertop to prevent scratching the surface.

Avoid attempting to repair larger scratches, chips, or resilient stains by yourself, as this may cause irreversible damage to the stone. Professional treatment is recommended for such issues. Contact your local stone shop for assistance.

CARE AND MAINTENANCE

For the Cabinet,

1. Regular Cleaning:

Dust the cabinet regularly with a soft, non-lint producing cloth or a household dusting product to prevent the buildup of dust and debris.

Clean the cabinet surface with a gentle, non-abrasive household cleaner suitable for painted wood surfaces.

Avoid excessive moisture and wipe the cabinet dry immediately after cleaning to prevent damage to the paint.

2. Avoid Harsh Chemicals:

Avoid using harsh chemicals, solvents or abrasive cleaners that can damage the painted surface. Do not use products containing acetone, bleach, ammonia, or vinegar, as they can cause discoloration or strip the paint.

3. Protection from Sunlight:

Avoid placing the cabinet in direct sunlight, as prolonged exposure to sunlight can cause fading and discoloration of the paint.

Use curtains or blinds to protect the cabinet from direct sunlight or consider repositioning the cabinet if necessary.

4. Handling Spills and Moisture:

Clean up spills immediately to prevent moisture from seeping into the wood or causing damage to the paint.

Wipe off any spills with a soft cloth or paper towel and dry the surface thoroughly.

5. Avoid Excessive Moisture:

Prevent excessive exposure to moisture, such as standing water or high humidity, as it can warp the wood or affect the integrity of the paint finish.

Ensure proper ventilation in the bathroom to minimize moisture levels.

REPLACEMENT PART LIST

Part	Description
C	Left Door ***
D	Right Door ***
F	Handle
H	Shelf ***
I	Top Drawer Panel ***
J	Top Drawer Box ***
K	Bottom Drawer Panel ***
L	Bottom Drawer Box ***
M	Drawer Slide (Left)
N	Drawer Slide (Right)
O	Foot Leveler

Note:

***Parts are made-to-order and may not have readily available in our current stock. Please contact us for the most up-to-date lead time regarding these parts.

REPLACEMENT PART LIST

