



GRILL LIGHT

TYT-ACC-GRL



IMPORTANT SAFETY WARNINGS

Always refer to the Owner's Manual for your TYTUS® Grill Light, provided by the original manufacturer. Read and follow all warnings and instructions in the Owner's Manual before installing this product. If you need a replacement Owner's Manual, contact TYTUS Grills at support@tytusgrills.com.

⚠ WARNING

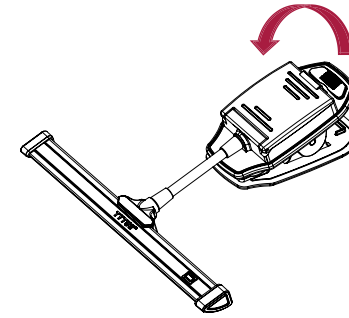
- **DO NOT USE IN HAZARDOUS LOCATIONS**
- **DO NOT** use in explosive atmospheres, near flammable liquids, or where explosion proof lamps are required.
- Batteries may leak harmful liquids or ignitable material or explode, causing injury or damage.
- **DO NOT** mix new and old or other type of batteries.
- Remove batteries before restoring or if it's not intended for use for long period of time.
- **DO NOT** dispose of the batteries in fire.
- Keep out of the reach of children.

If missing or damaged parts, please contact customer service via phone at **855-969-5185** or email at SUPPORT@TYTUSGRILLS.COM, proof of purchase will be required.

OPERATING THE GRILL LIGHT

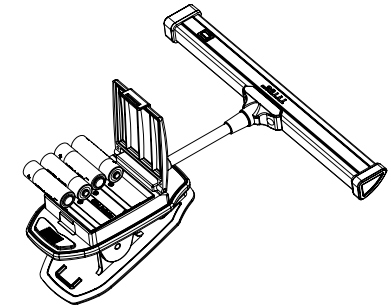
READ ALL WARNINGS IN THE OWNER'S MANUAL FOR YOUR GRILL LIGHT AND GRILL.

STEP 1



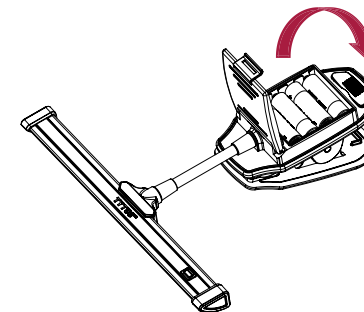
Open the battery lid.

STEP 2



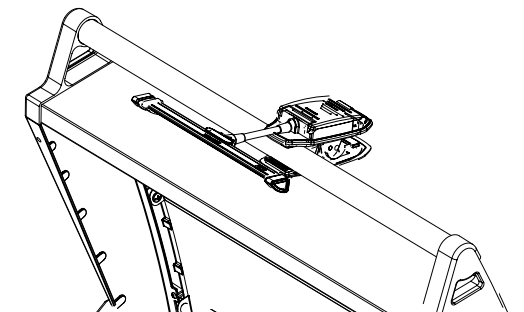
Install the batteries following the polarity directions within the battery compartment.

STEP 3



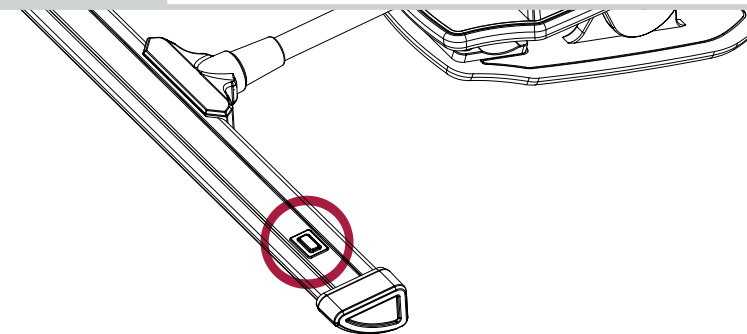
Close the battery lid.

STEP 4



Mount the grill light to the lid of the grill, make sure sufficient distance from the fire > 20".

STEP 5



Press the switch button on the light head to select from high & low as you need.

**TRANSFORM
YOUR
OUTDOORS[®]**