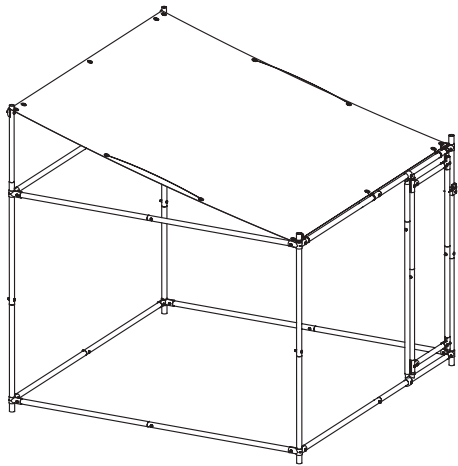
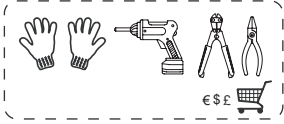
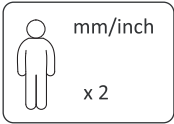


SKU : 172559+172560+172561

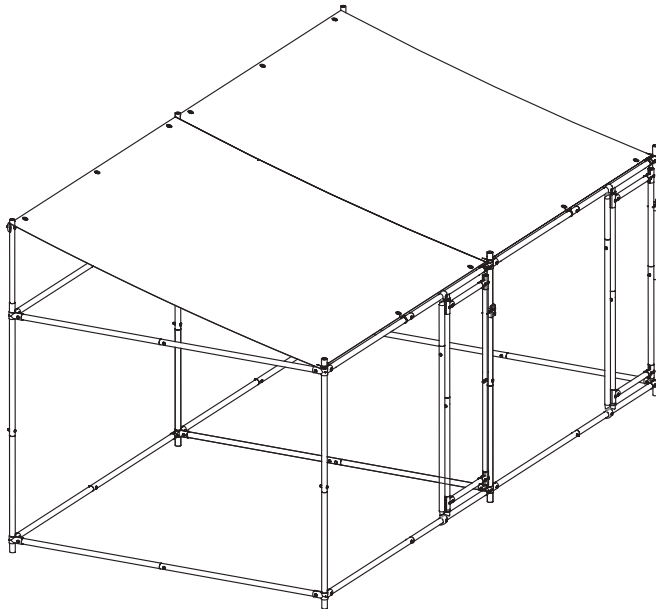
Batch Nr : 2502999010





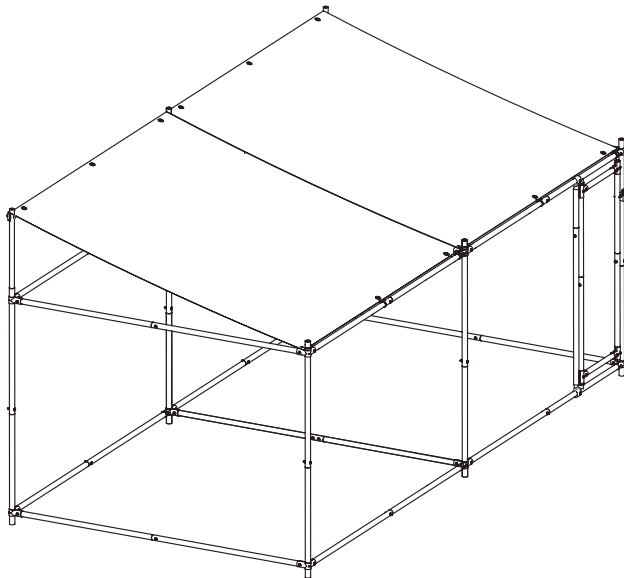
----- P3 ~ P11

SKU: 172559




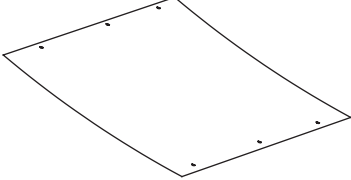


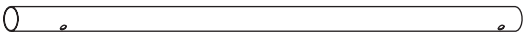

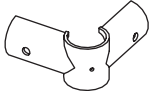
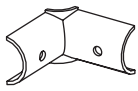
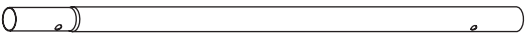
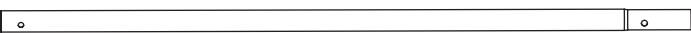


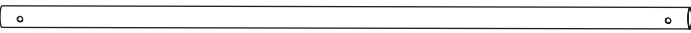
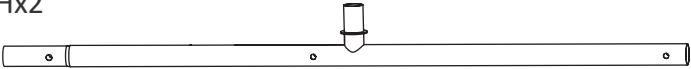

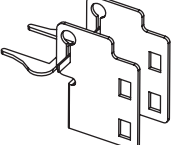
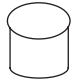
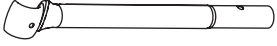
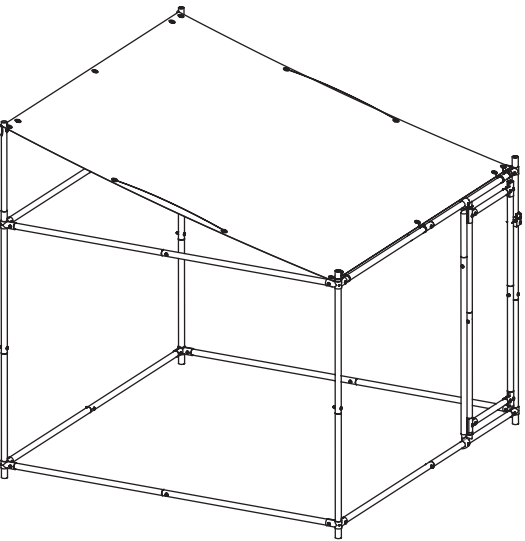
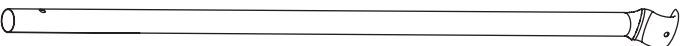
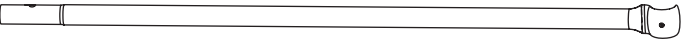

----- P3~P4, P12 ~ P16

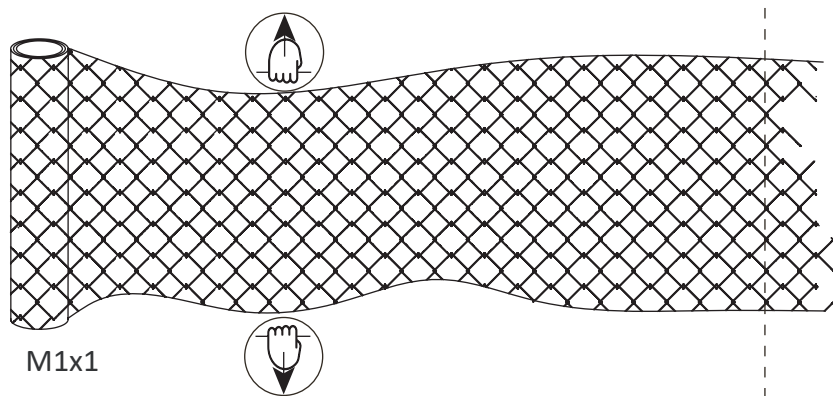
SKU: 172559+172560



----- P3~P4, P17 ~ P21

SKU: 172559+172561

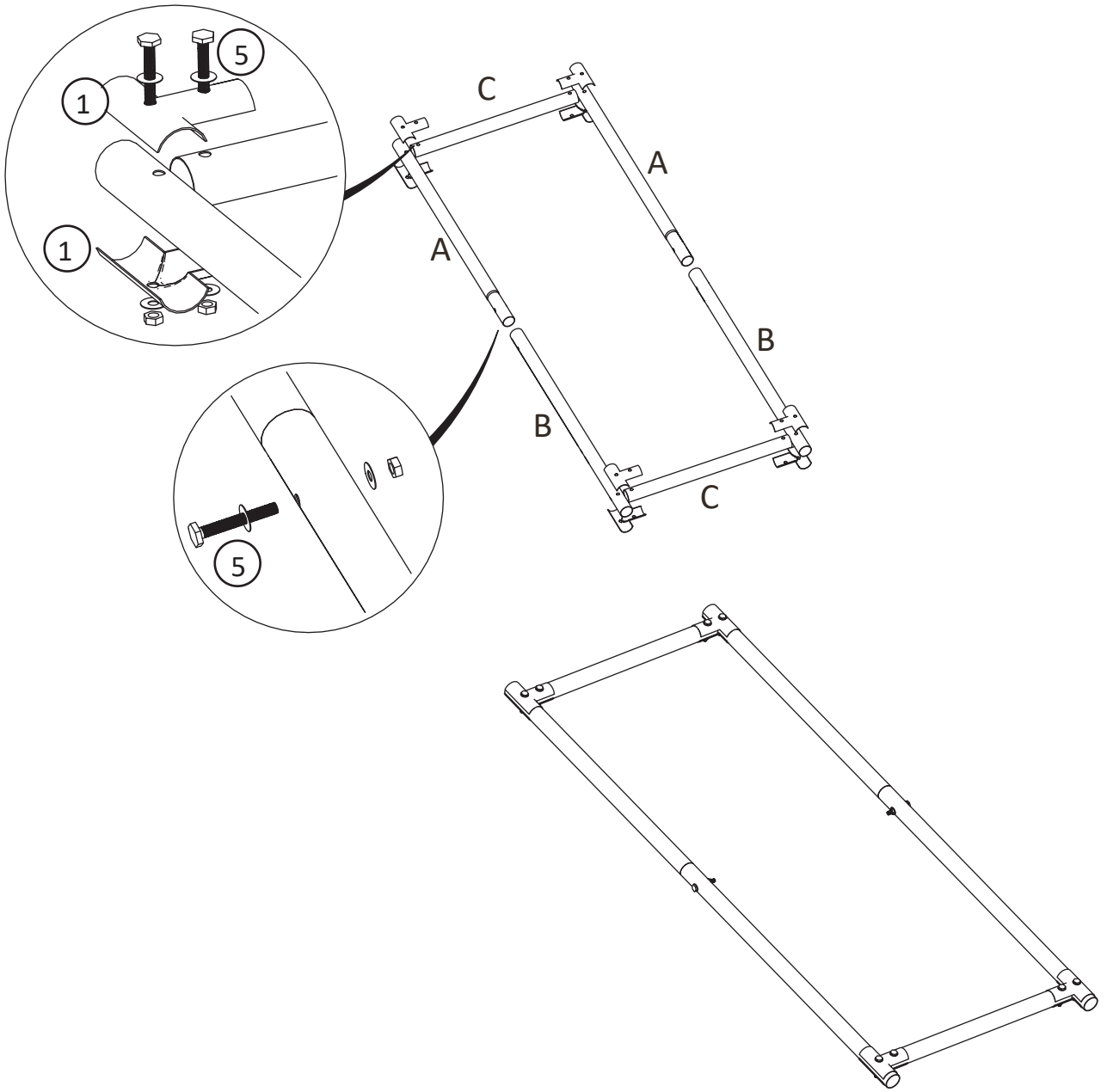
Ax2		$\frac{684}{26.9}$	Nx1			
Bx2		$\frac{684}{26.9}$				
Cx2		$\frac{420}{16.5}$	① x8	② x8	③ x8	
Dx4		$\frac{790}{31.1}$				
Ex4		$\frac{790}{31.1}$	⑤ x48	⑥ x10		
Fx6		$\frac{1016}{40.0}$				
Gx8		$\frac{1016}{40.0}$	⑦ x1	⑧ x2	⑨ x6	
Hx2		$\frac{1016}{40.0}$				
Ix1		$\frac{390}{15.4}$				
Jx2		$\frac{1040}{40.9}$				
Kx1		$\frac{1040}{40.9}$				
Lx2		$\frac{630}{24.8}$				

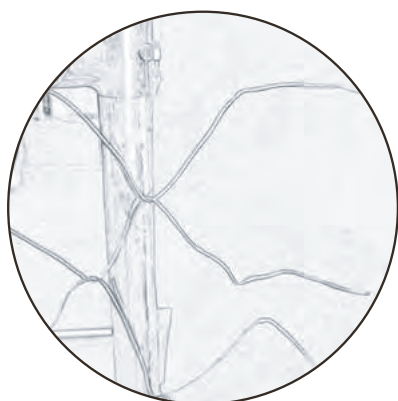
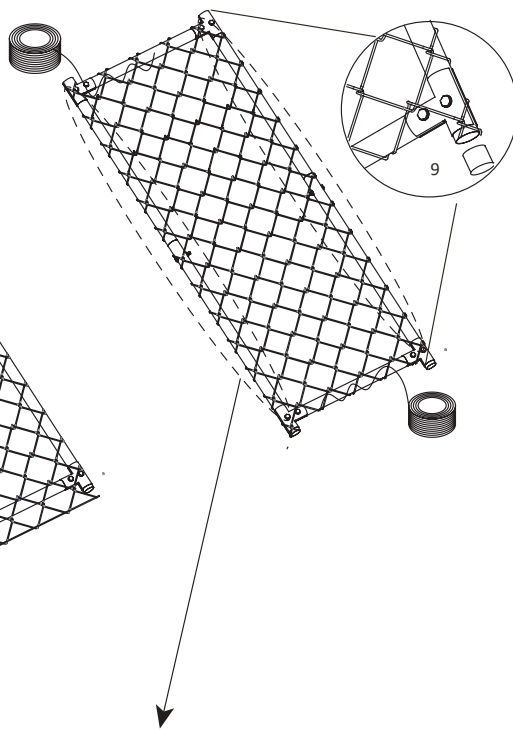
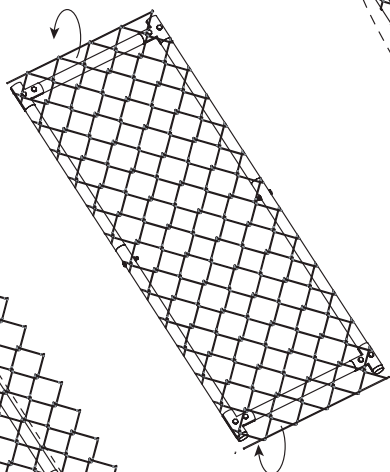
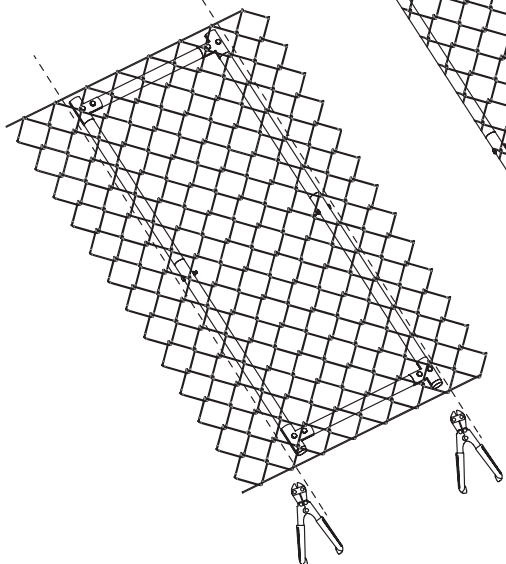
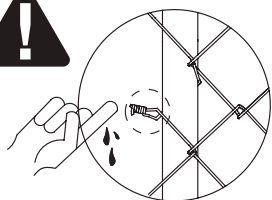


M1x1

$\frac{1400 \times 9000}{55.1 \times 354.3}$

SKU: 172559





1



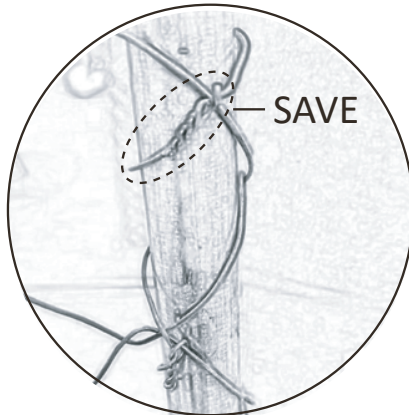
2



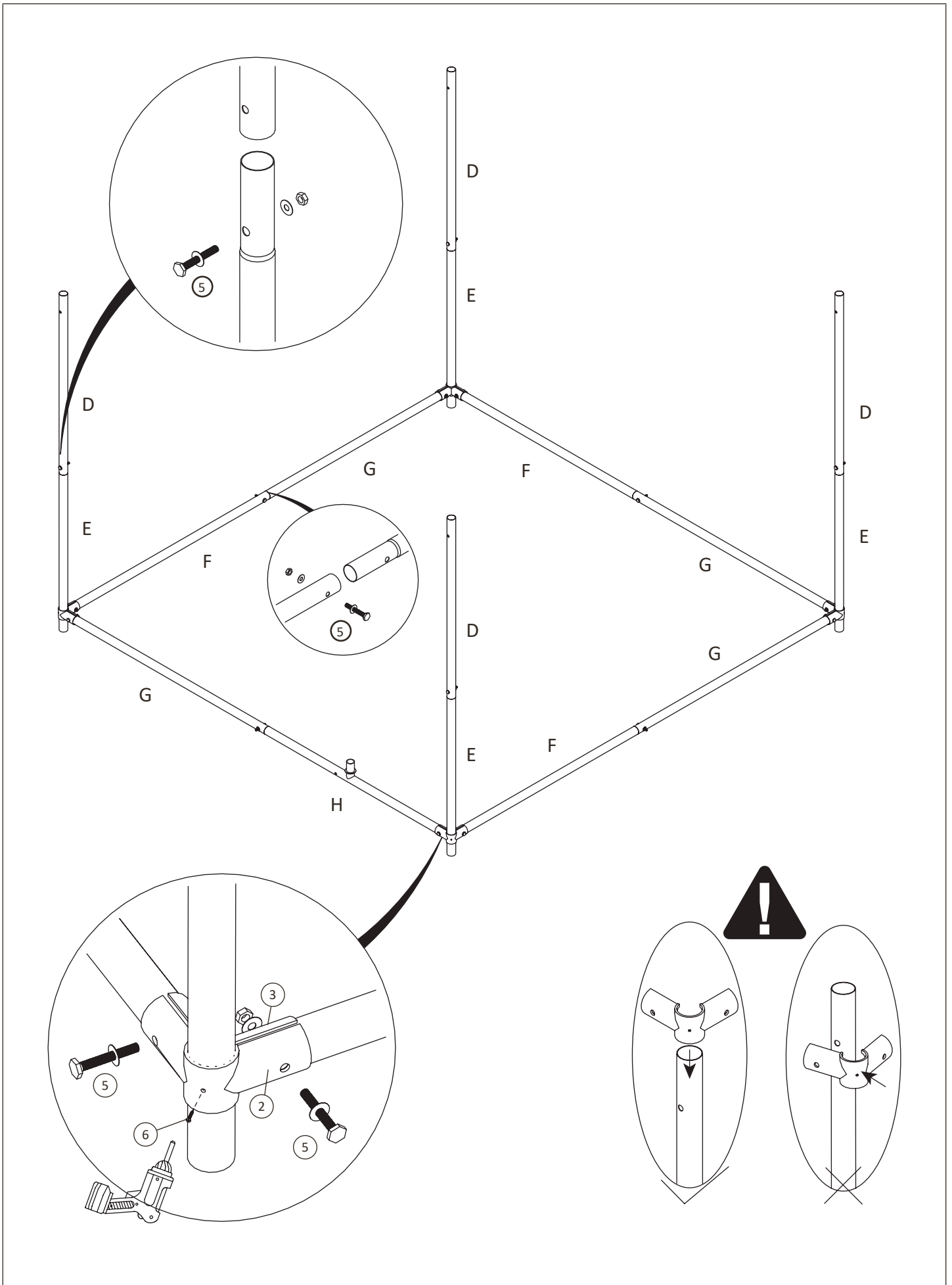
3

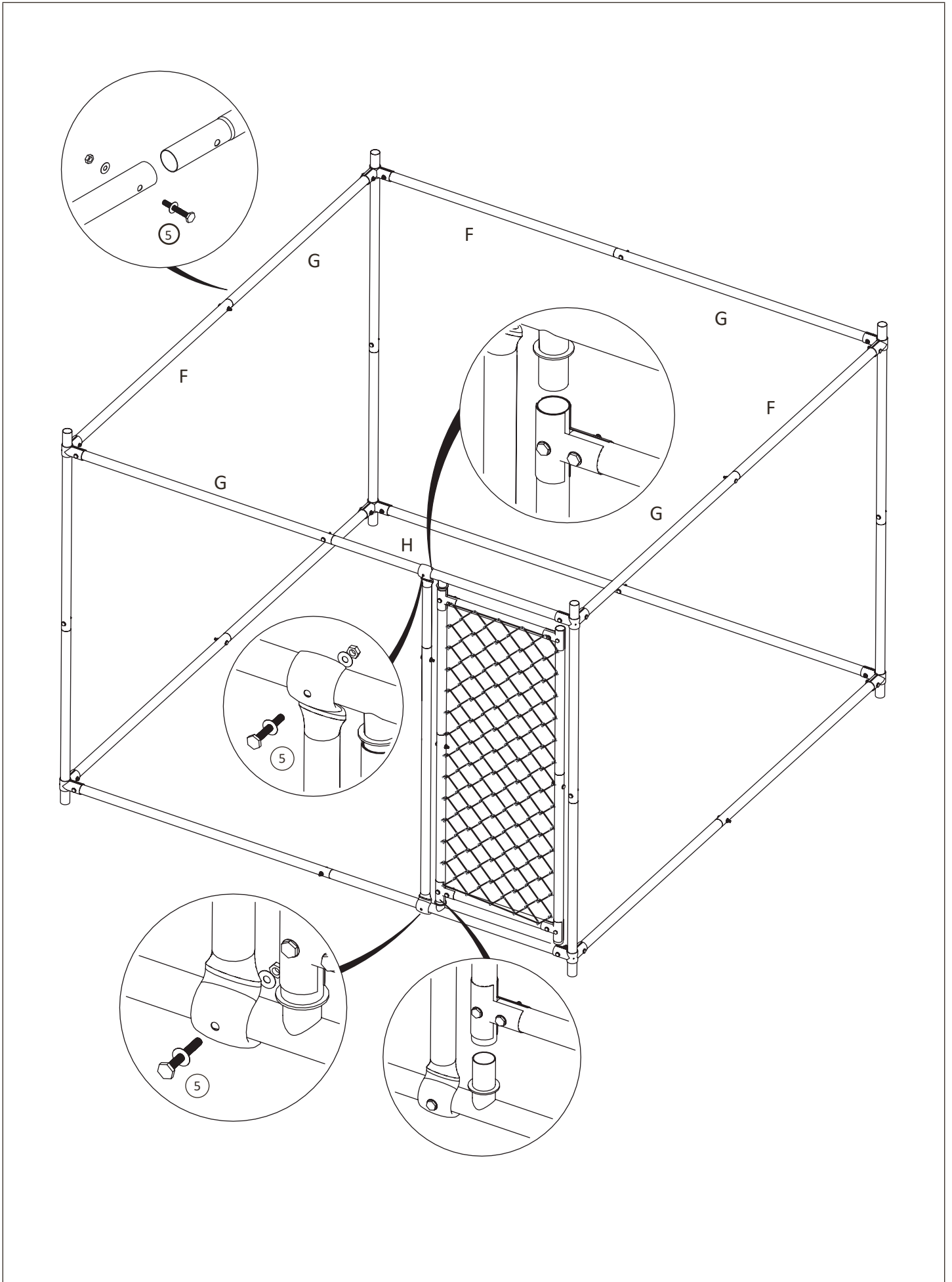


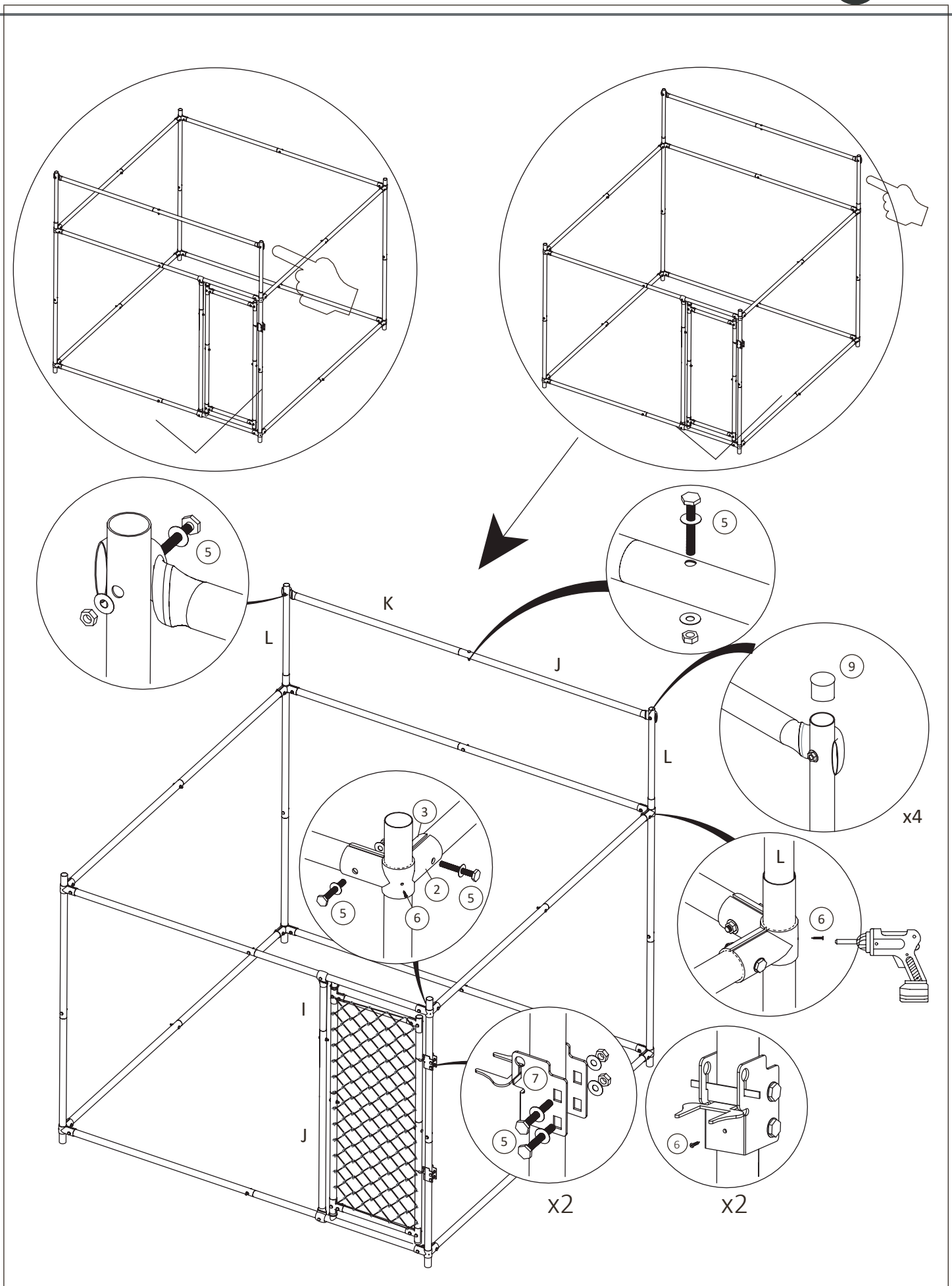
4

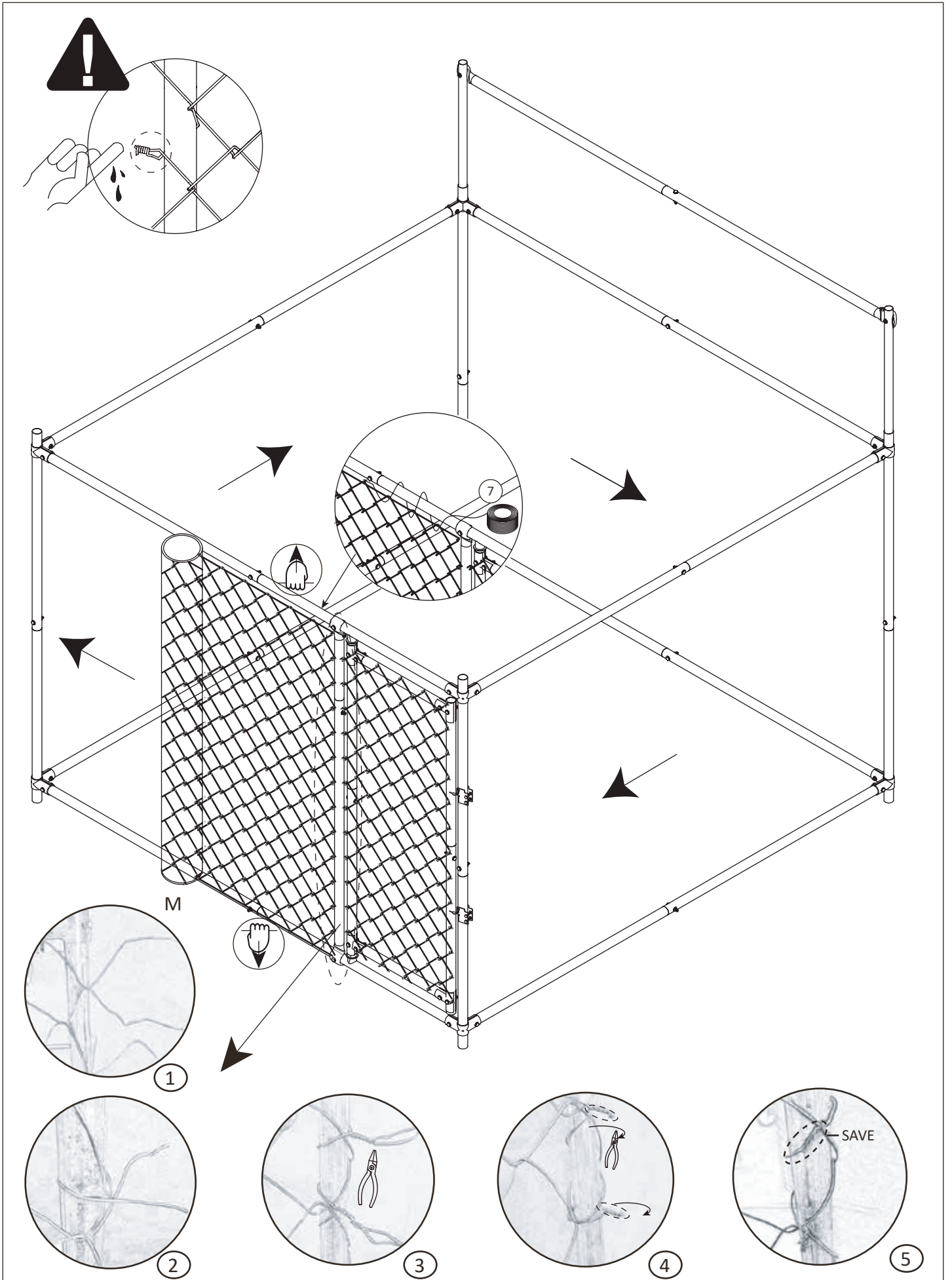


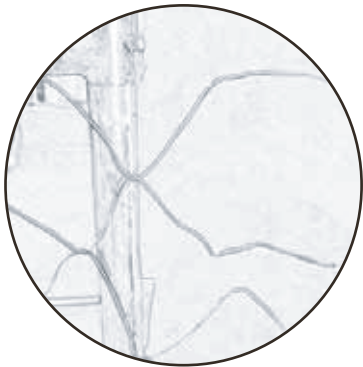
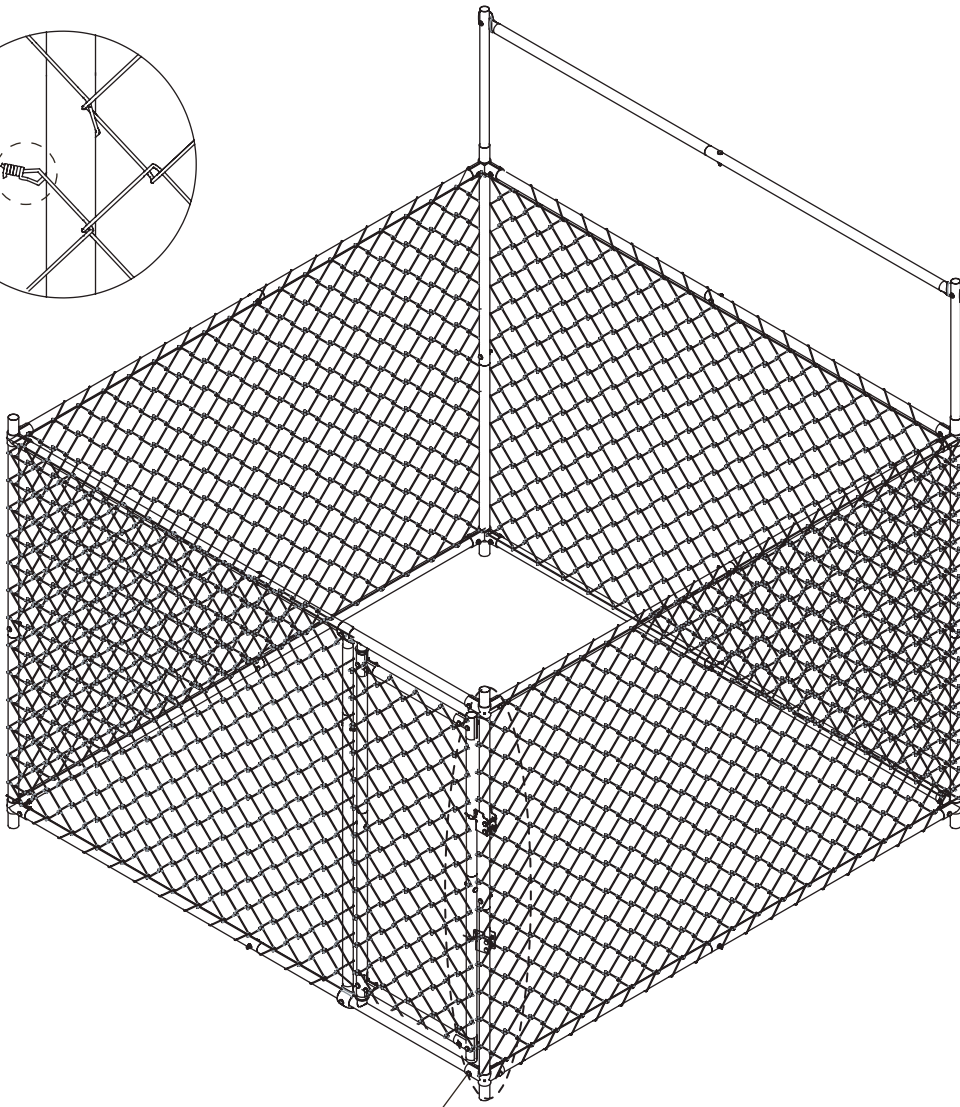
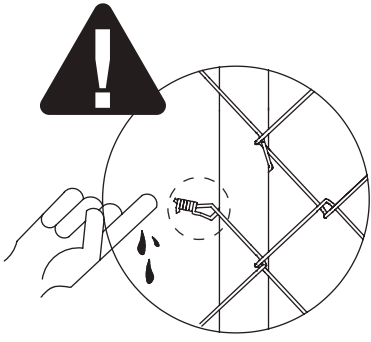
5











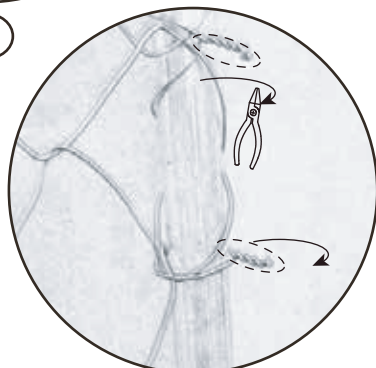
1



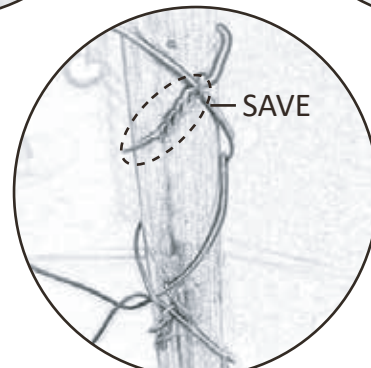
2



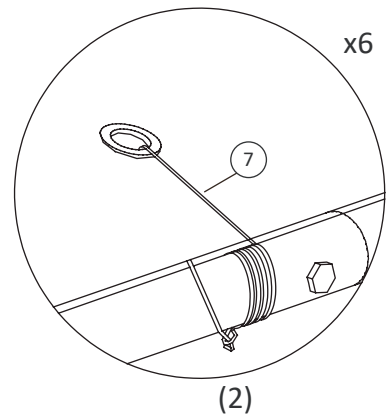
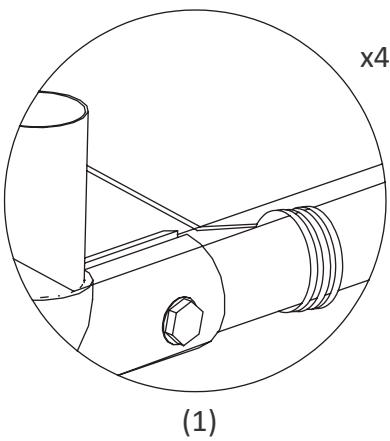
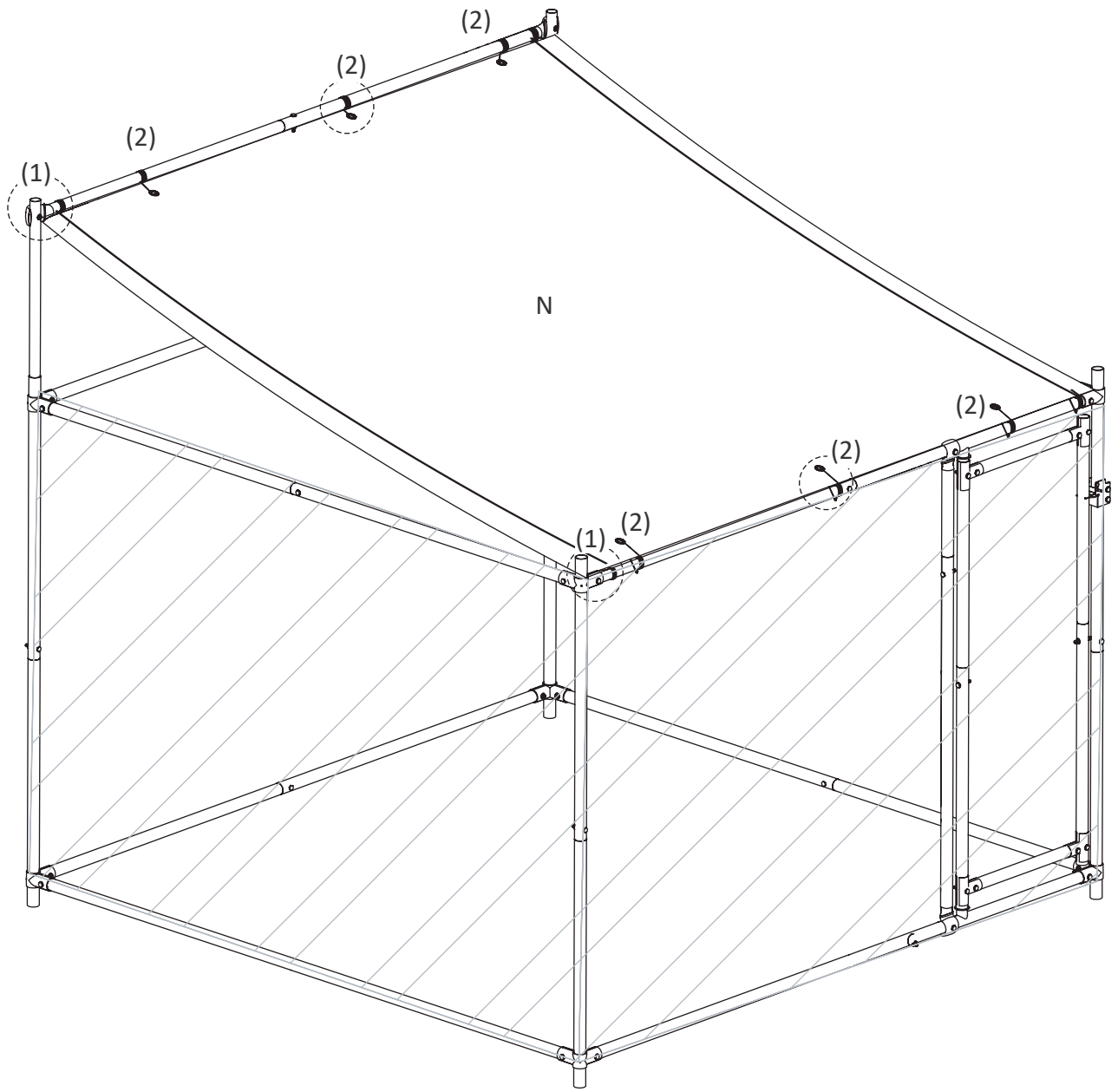
3


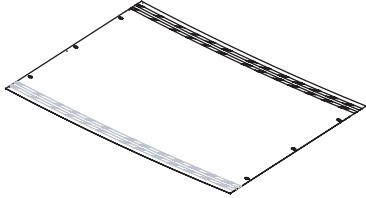




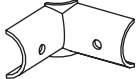

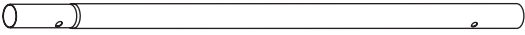
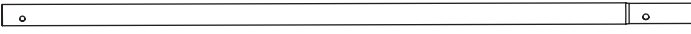

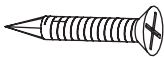
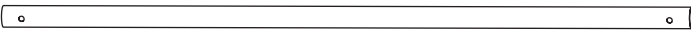
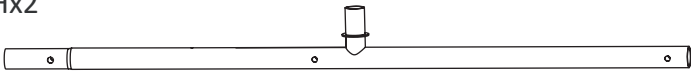

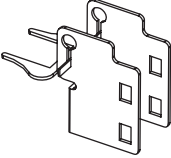

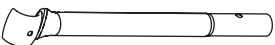
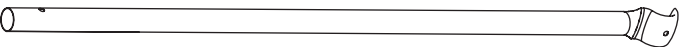




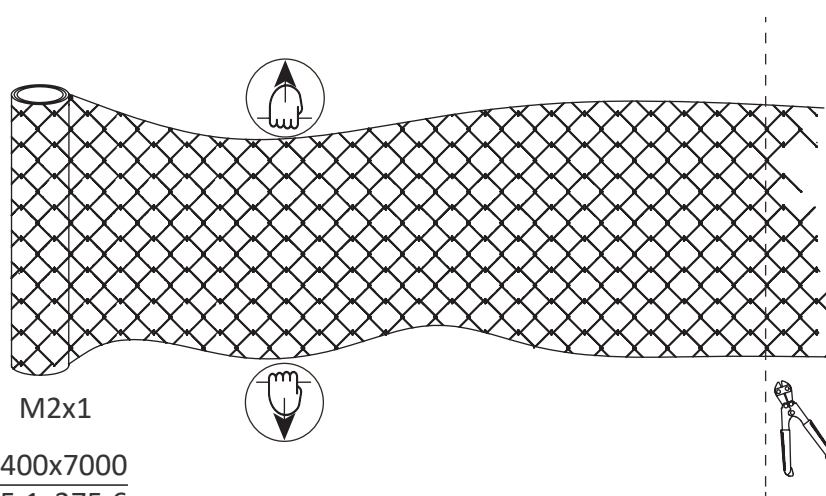
4



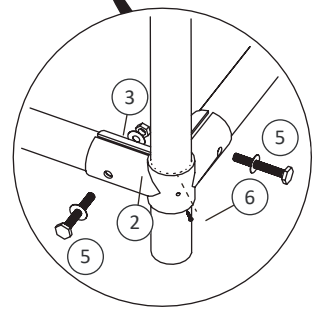
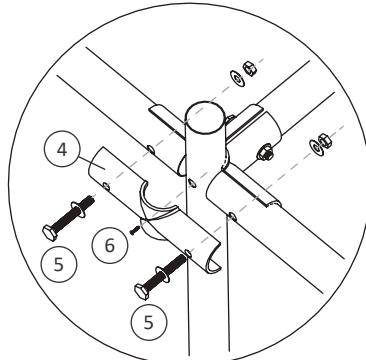
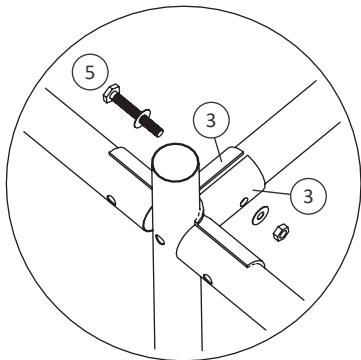
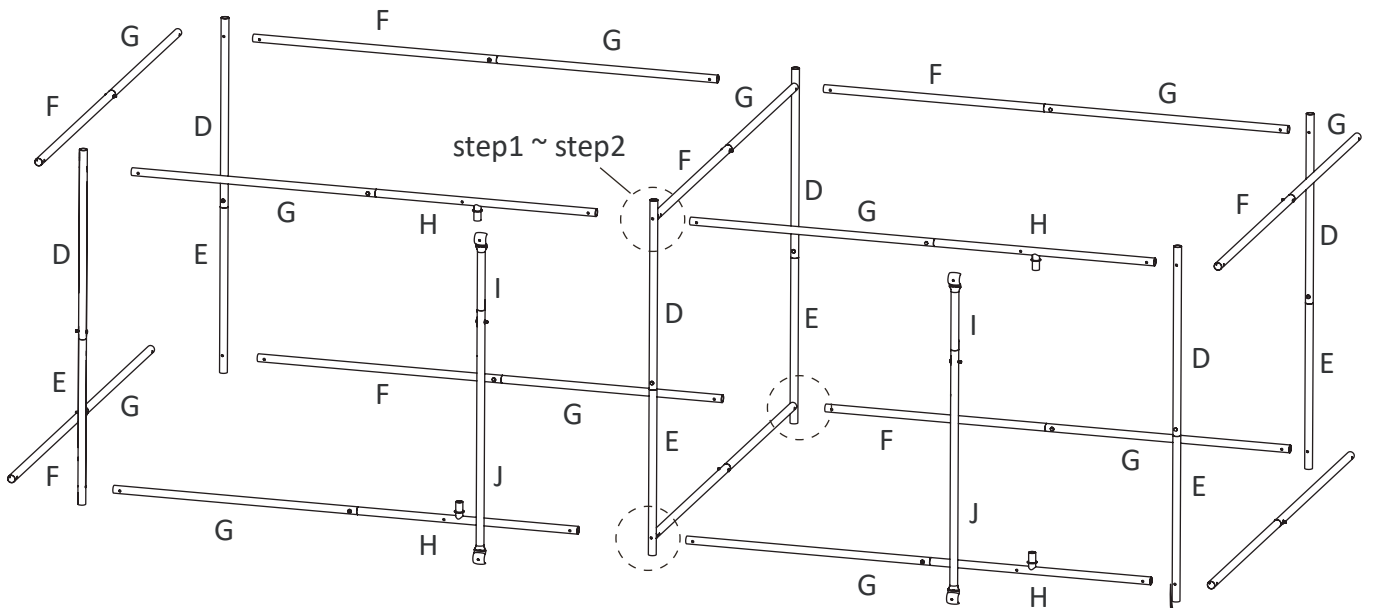
5

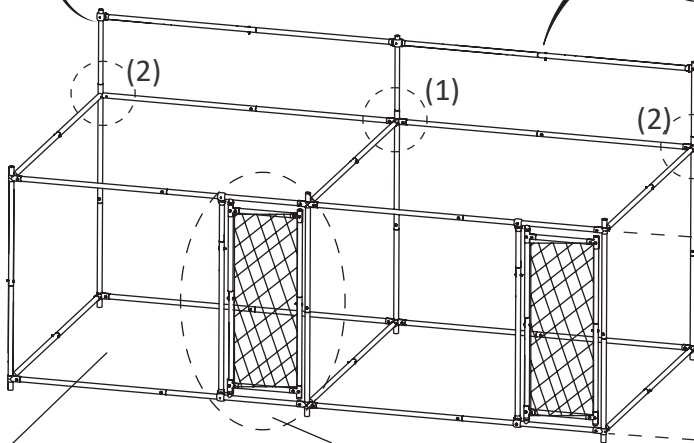
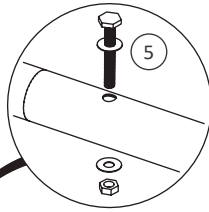
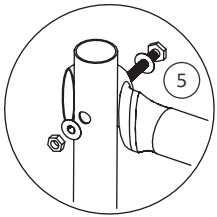
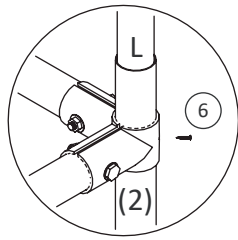
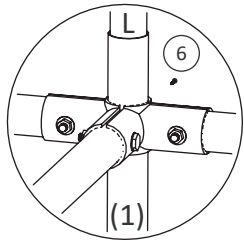


Ax2		$\frac{684}{26.9}$	Ox1			
Bx2		$\frac{684}{26.9}$				
Cx2		$\frac{420}{16.5}$	① x8	③ x8	④ x4	
Dx2		$\frac{790}{31.1}$				
Ex2		$\frac{790}{31.1}$	⑤ x39		⑥ x6	
Fx4		$\frac{1016}{40.0}$				
Gx6		$\frac{1016}{40.0}$	⑦ x1	⑧ x2	⑨ x4	
Hx2		$\frac{1016}{40.0}$				
Ix1		$\frac{390}{15.4}$				
Jx2		$\frac{1040}{40.9}$				
Kx1		$\frac{1040}{40.9}$				
Lx1		$\frac{630}{24.8}$				



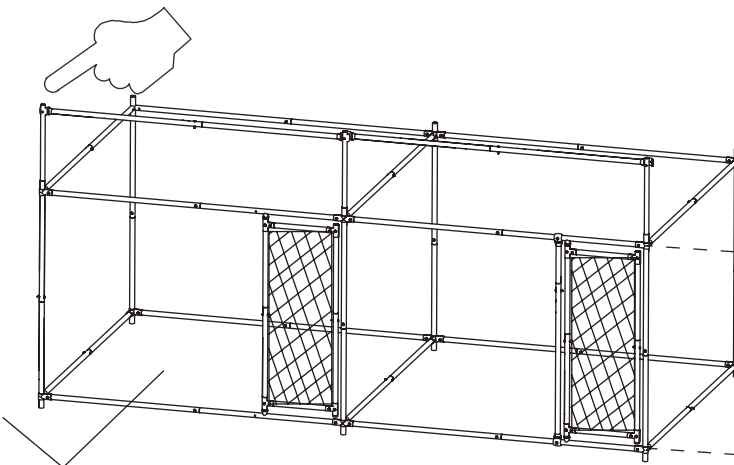
SKU: 172560



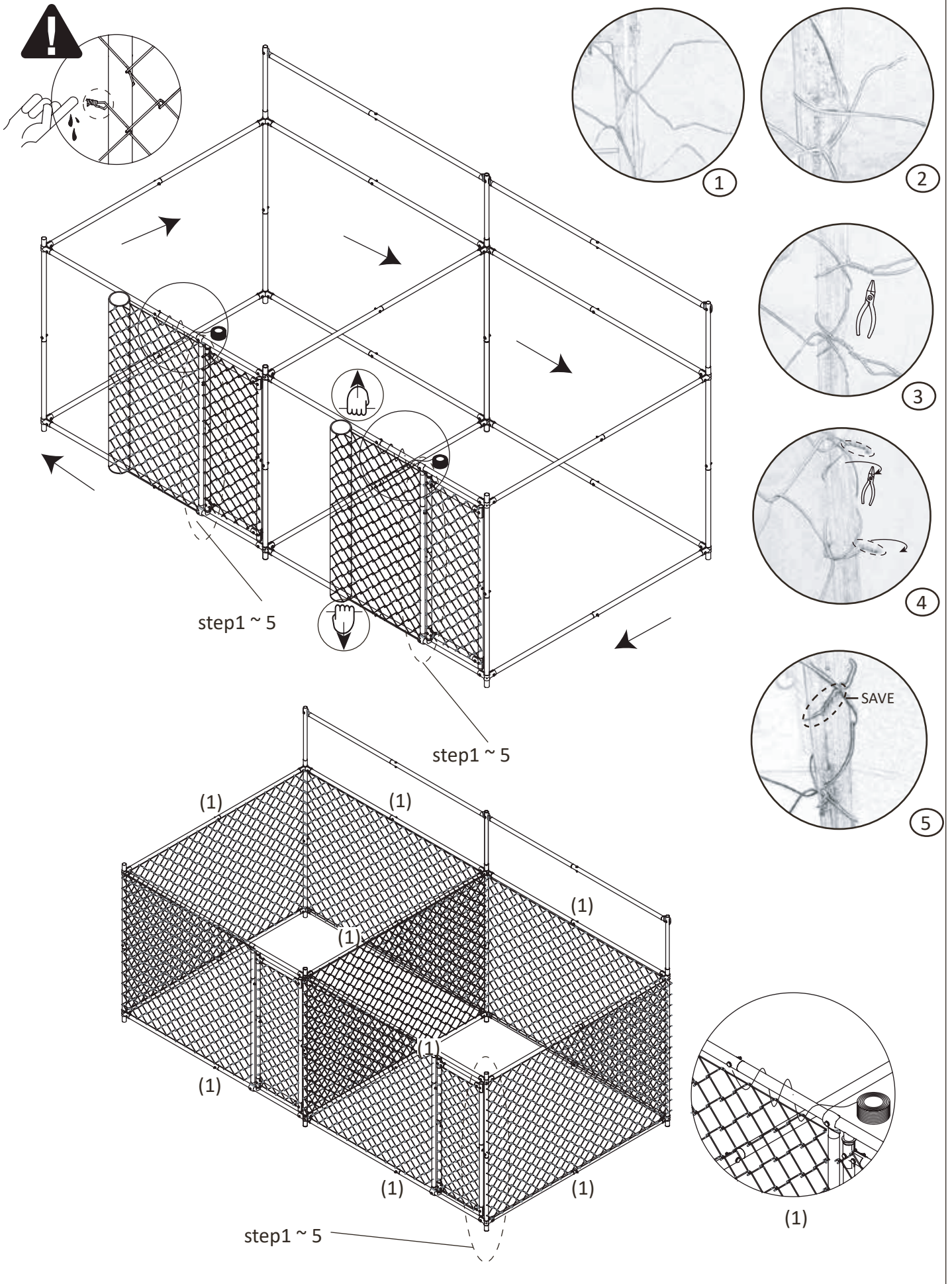


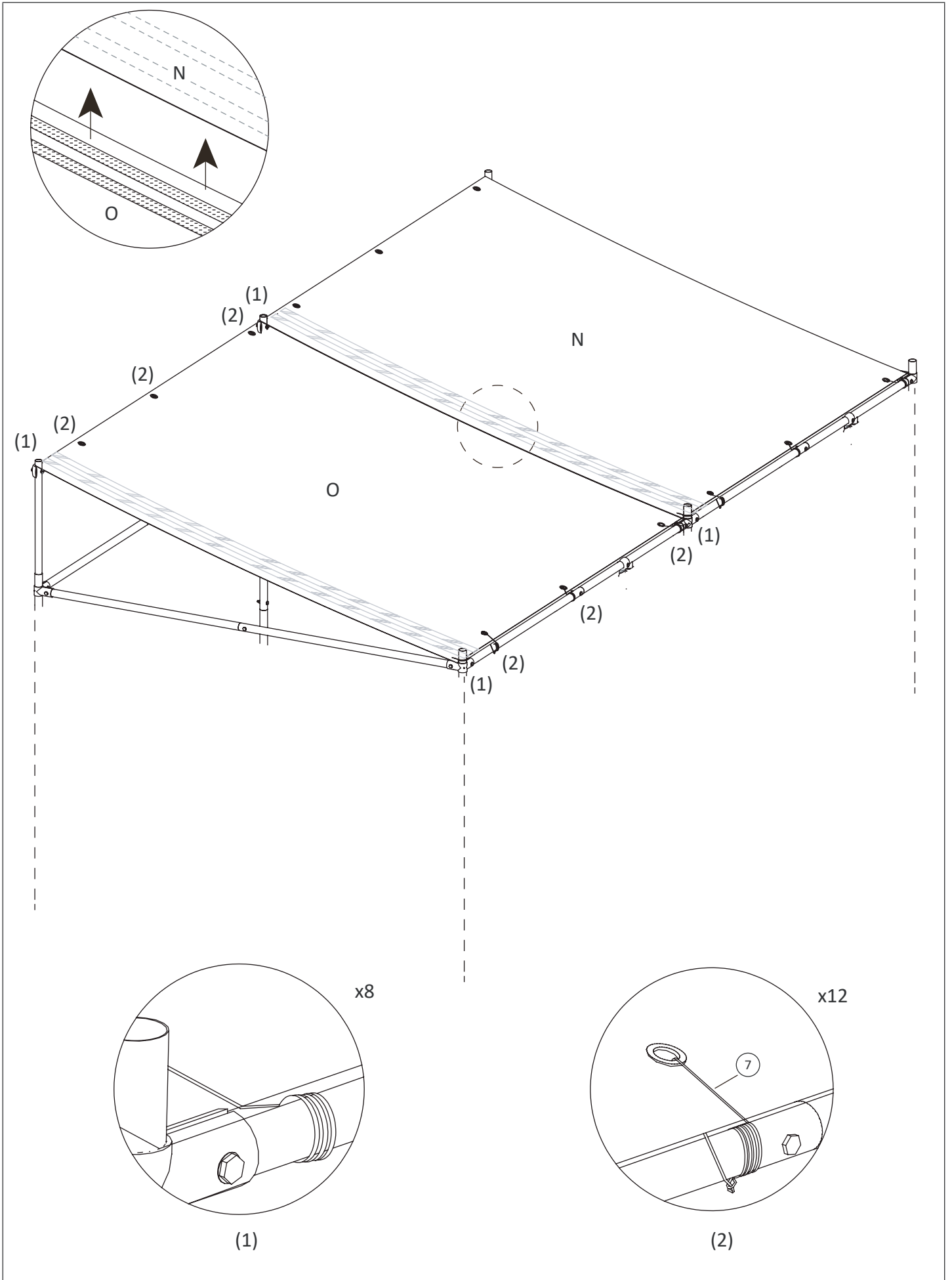
Page5 & Page 7

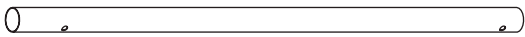
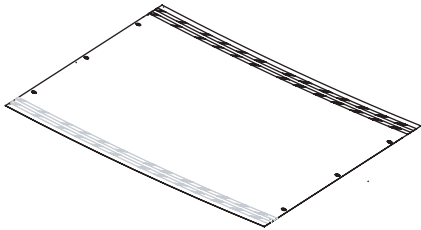
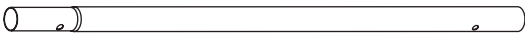
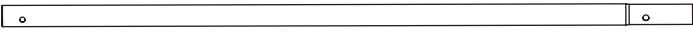
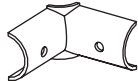

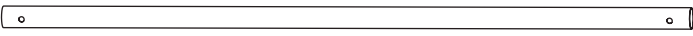

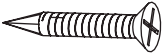
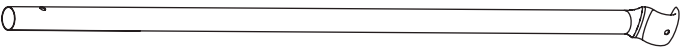


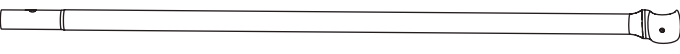

172559+n x 172560 (n=1,2,3...)

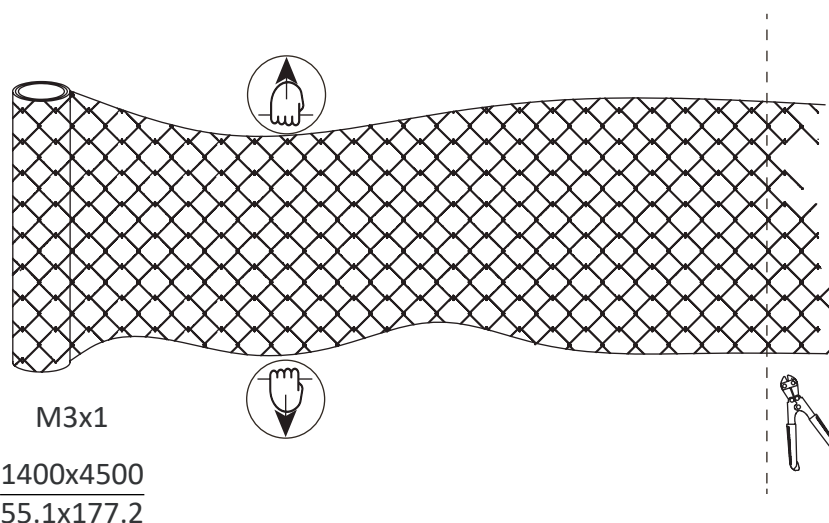


172559+n x 172560 (n=1,2,3...)

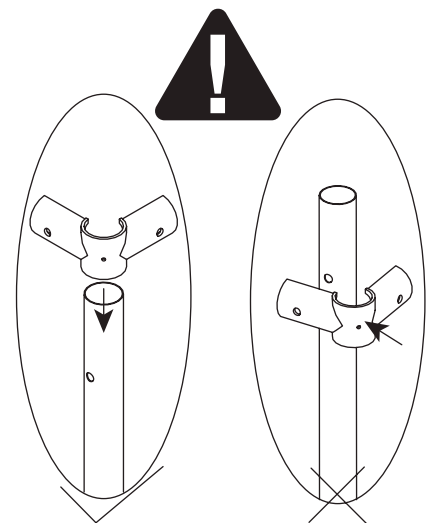
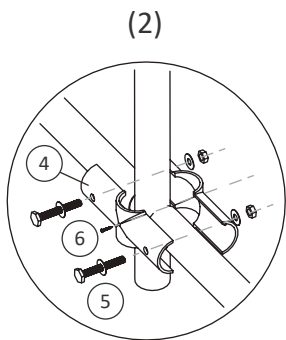
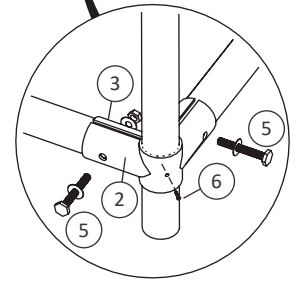
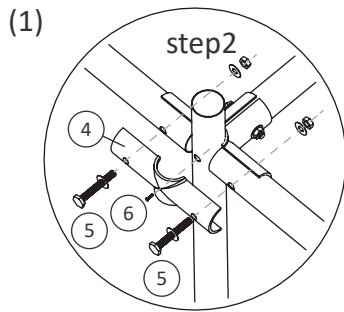
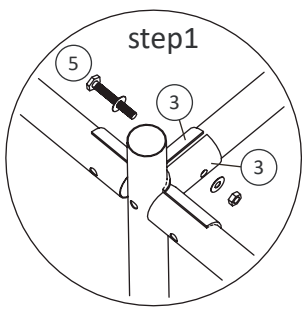
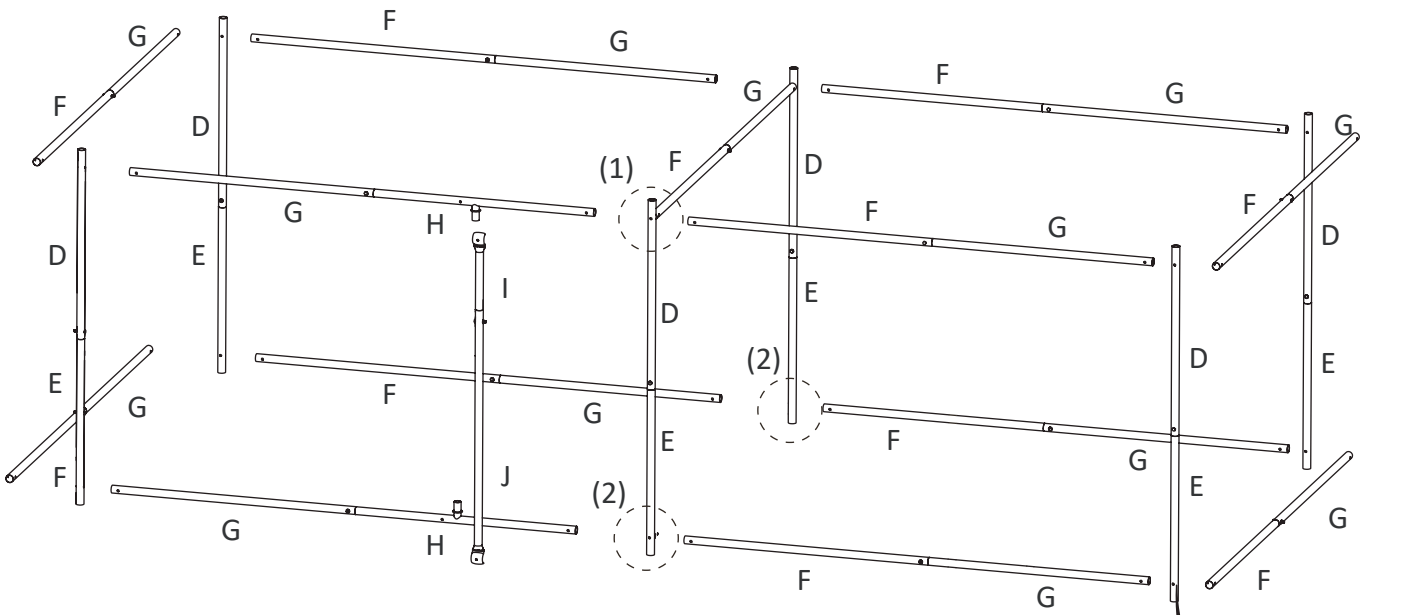


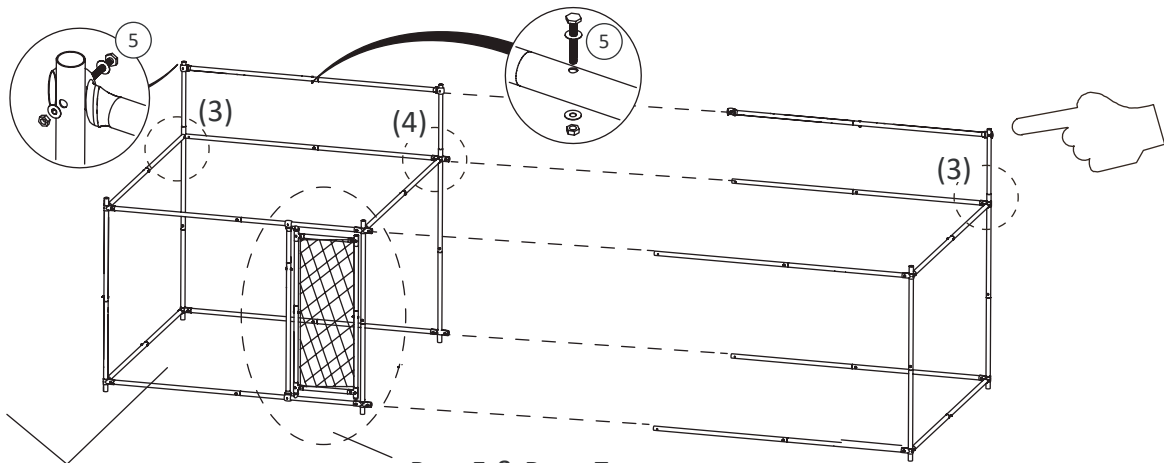
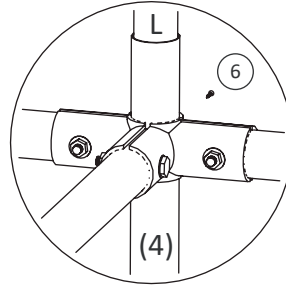
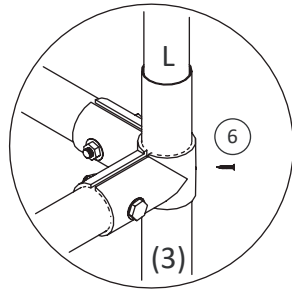


<p>Dx2</p>  <p style="text-align: right;">$\frac{790}{31.1}$</p>	<p>Ox1</p> 	
<p>Ex2</p>  <p style="text-align: right;">$\frac{790}{31.1}$</p>		
<p>Fx5</p>  <p style="text-align: right;">$\frac{1016}{40.0}$</p>	<p>③ x4</p> 	<p>④ x6</p> 
<p>Gx5</p>  <p style="text-align: right;">$\frac{1016}{40.0}$</p>	<p>⑤ x19</p> 	<p>⑥ x4</p> 
<p>Jx1</p>  <p style="text-align: right;">$\frac{1040}{40.9}$</p>	<p>⑦ x1</p> 	<p>⑨ x2</p> 
<p>Kx1</p>  <p style="text-align: right;">$\frac{1040}{40.9}$</p>		
<p>Lx1</p>  <p style="text-align: right;">$\frac{630}{24.8}$</p>		



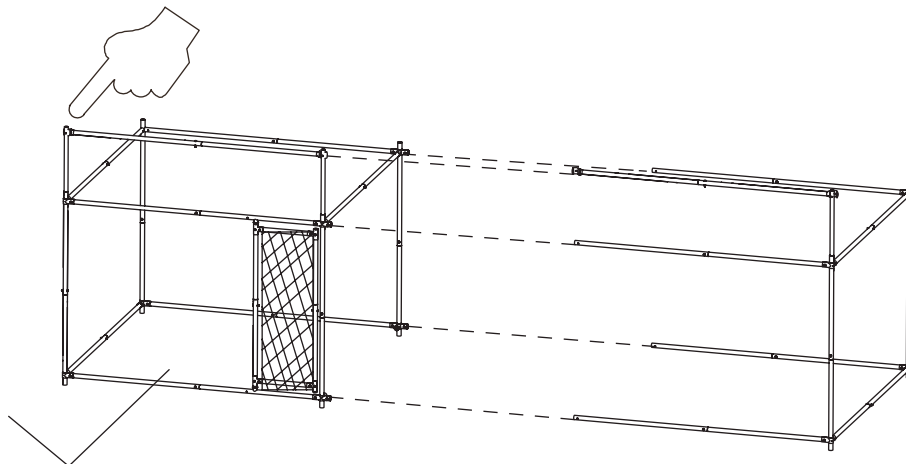
SKU: 172561



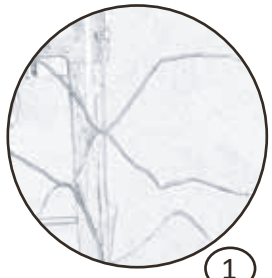
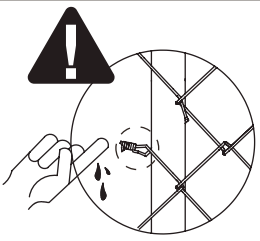


Page5 & Page 7

172559+n x 172561 (n=1,2,3...)

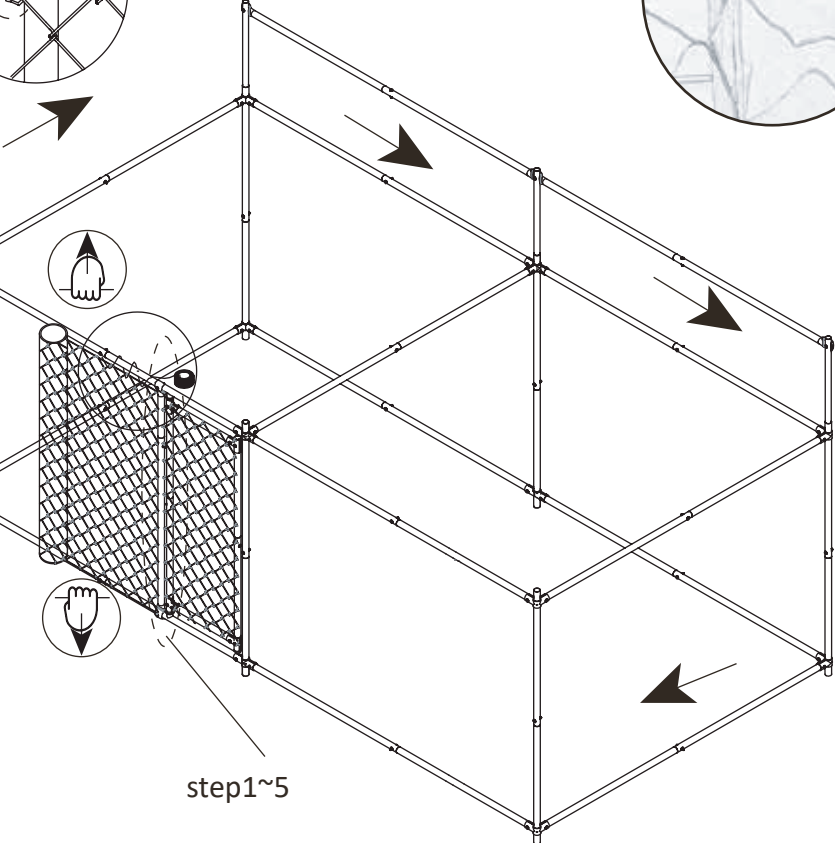


172559+n x 172561 (n=1,2,3...)

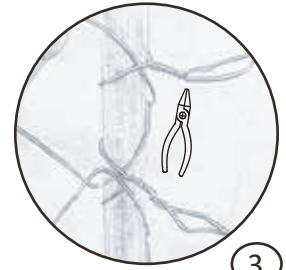


1

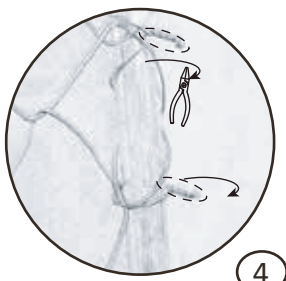
2



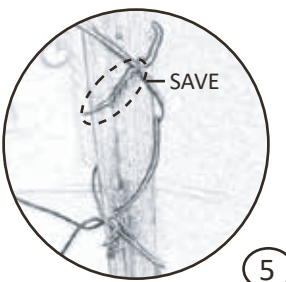
step1~5



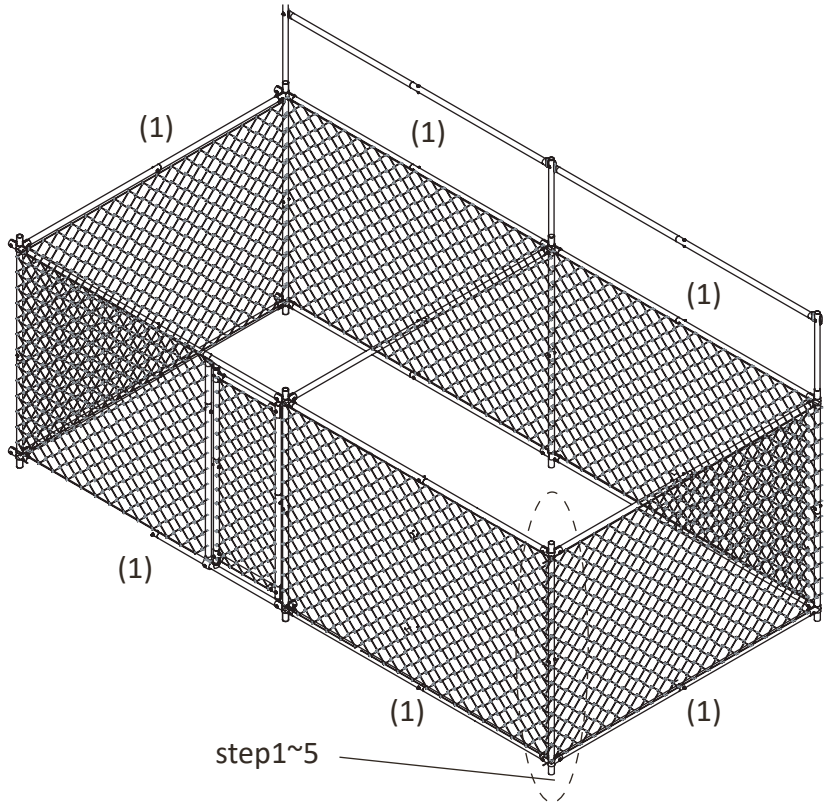
3



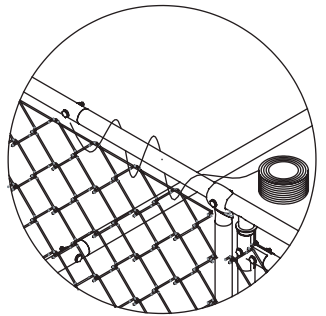
4



5



step1~5



(1)

