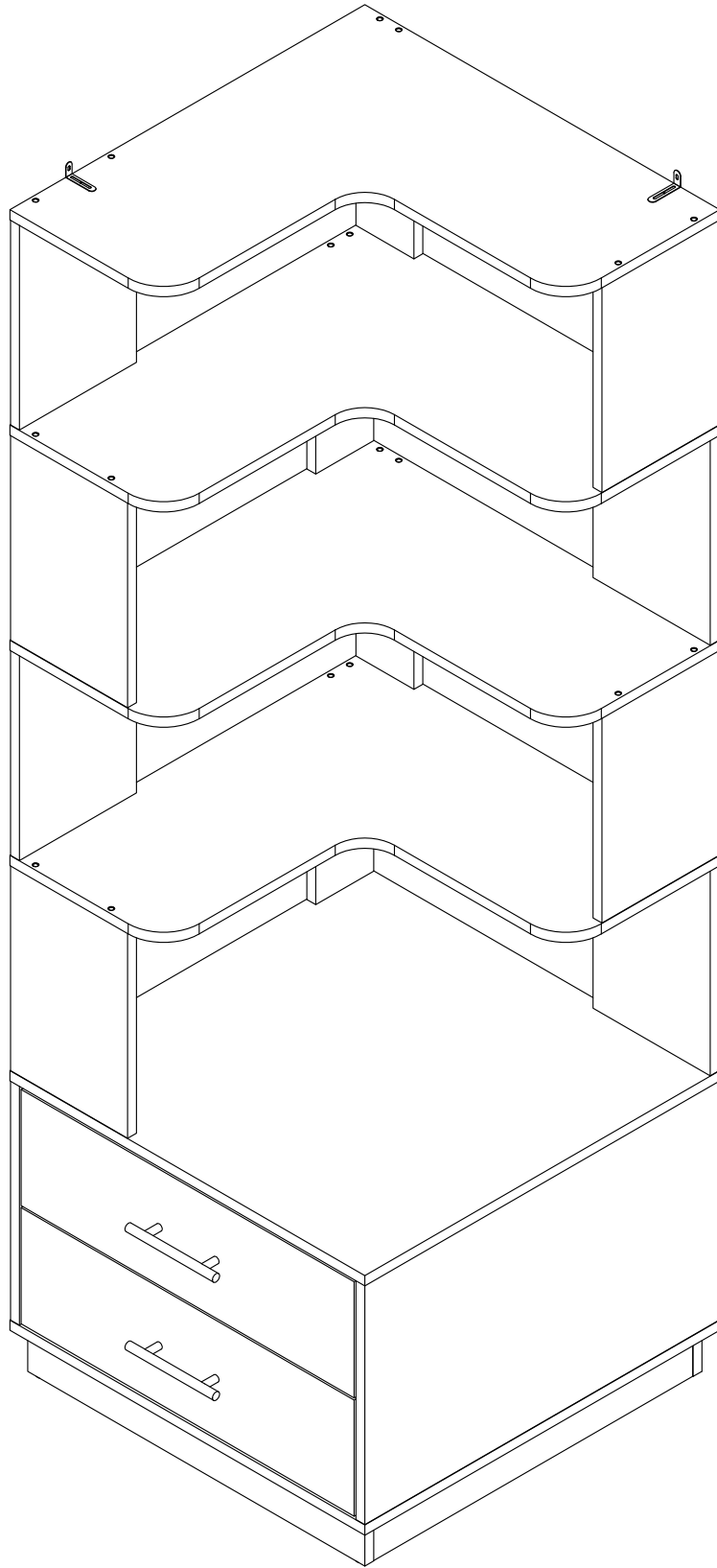











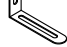





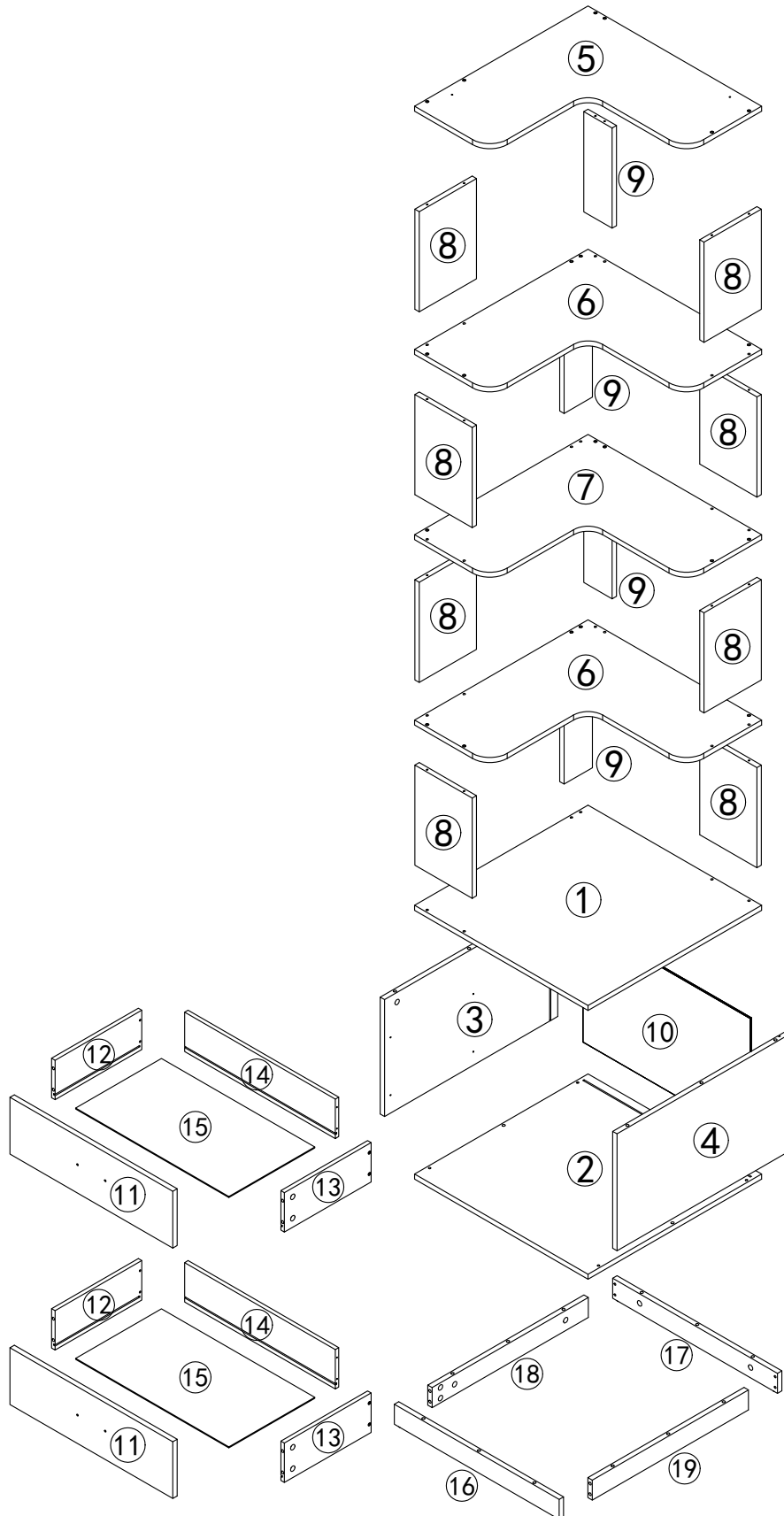
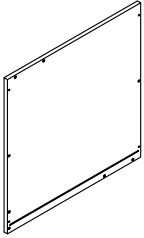
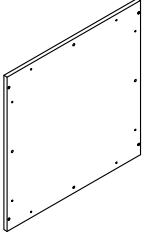
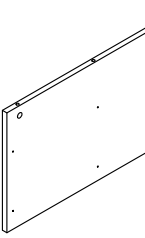
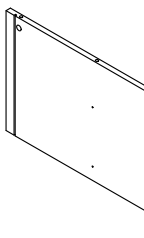
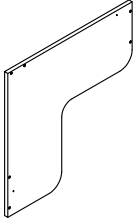
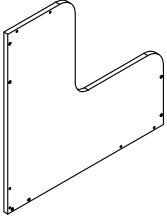
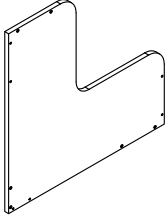
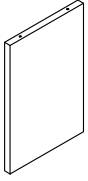
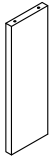
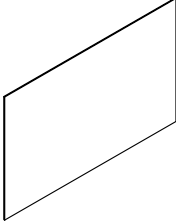
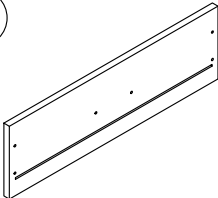
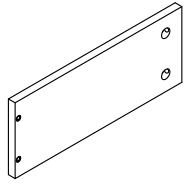
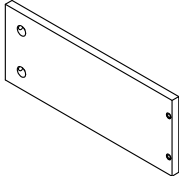
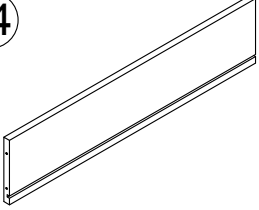
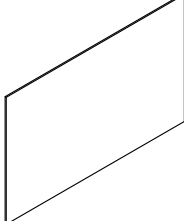
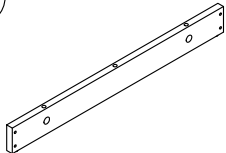
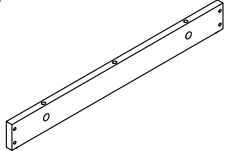
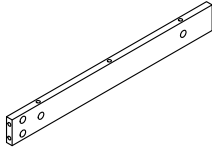
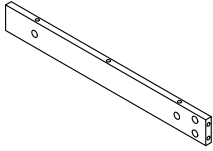


Assembly Instruction

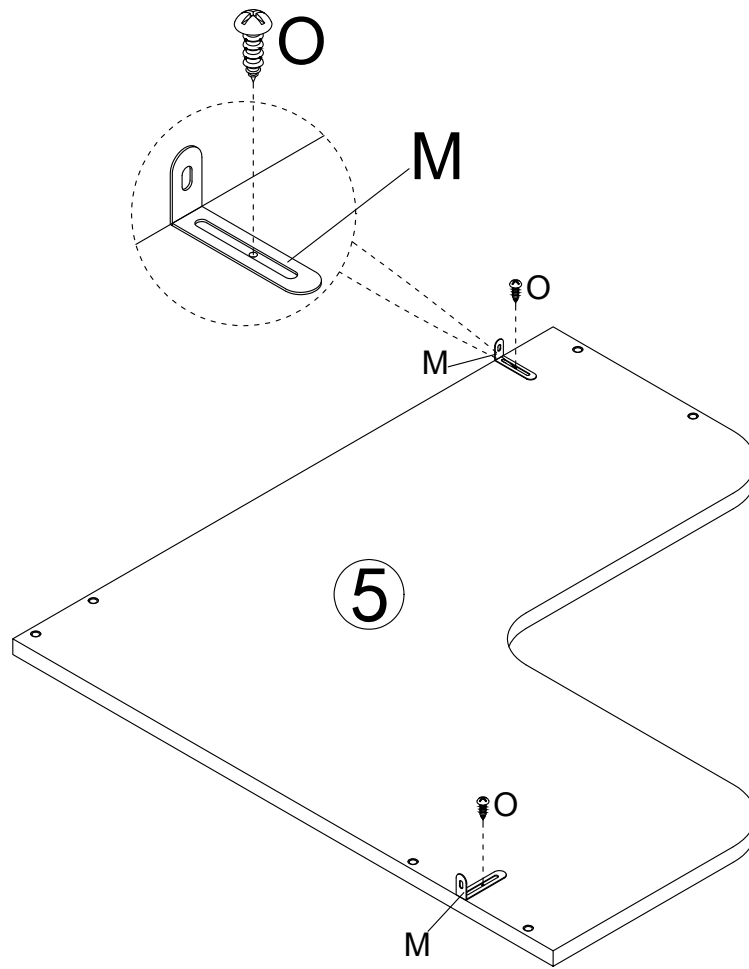


A	X24	B	X24	C	X20	D	X4	E	X1	F	X56	G	X8	H	X4	I	X2
																	
M6x35mm		Ø15x9mm		M3.5x14mm		M3x16mm		4mm		M5x40mm		Ø8x30mm		M4x20mm			
J	X10	K	X4	M	X2	N	X2	O	X2	P	X18	L	X2	R	X2		
																	
M4x35mm						Ø6x30mm		M4x12mm									



<p>①</p> 	<p>②</p> 	<p>③</p> 	<p>④</p> 
1PC	1PC	1PC	1PC
<p>⑤</p> 	<p>⑥</p> 	<p>⑦</p> 	<p>⑧</p> 
1PC	2PCS	1PC	8PCS
<p>⑨</p> 	<p>⑩</p> 	<p>⑪</p> 	<p>⑫</p> 
4PCS	1PC	2PCS	2PCS
<p>⑬</p> 	<p>⑭</p> 	<p>⑮</p> 	<p>⑯</p> 
2PCS	2PCS	2PCS	1PC
<p>⑰</p> 	<p>⑱</p> 	<p>⑲</p> 	
1PC	1PC	1PC	

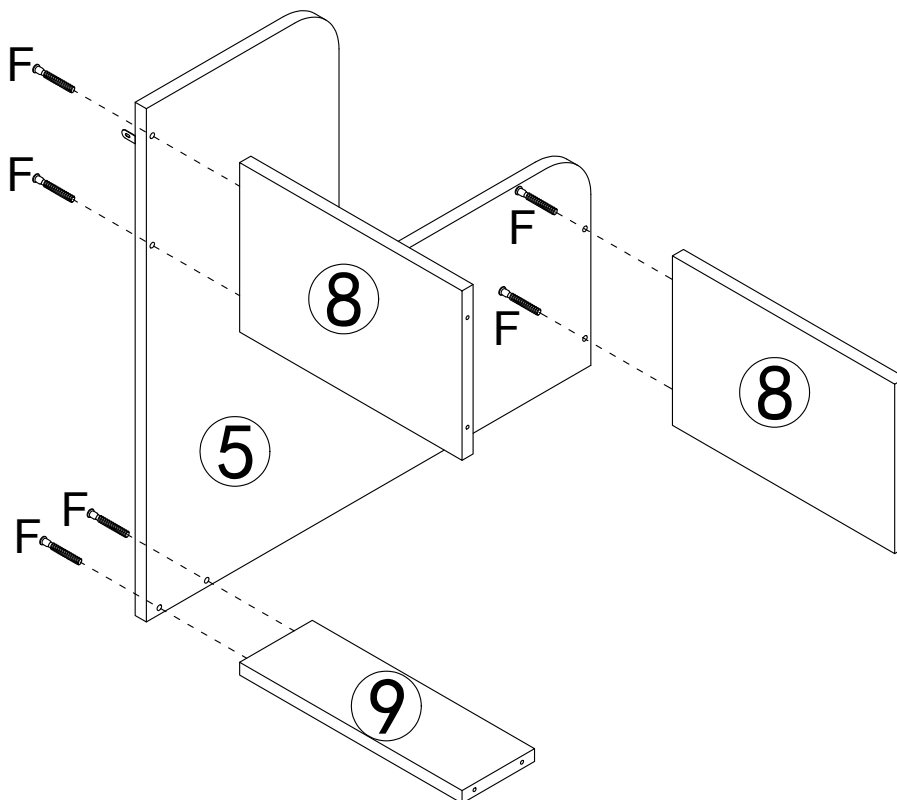
1



M	x2

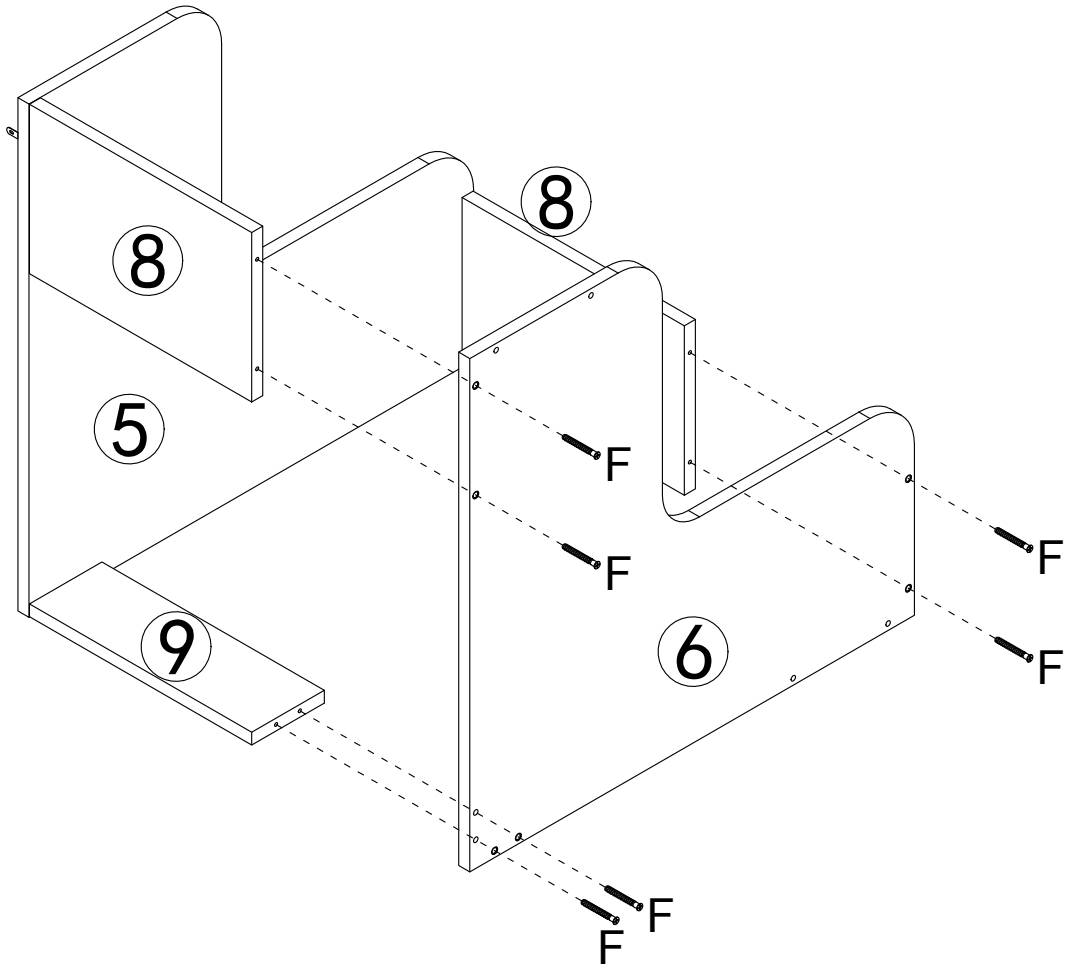
O	x2
M4x12mm	


2



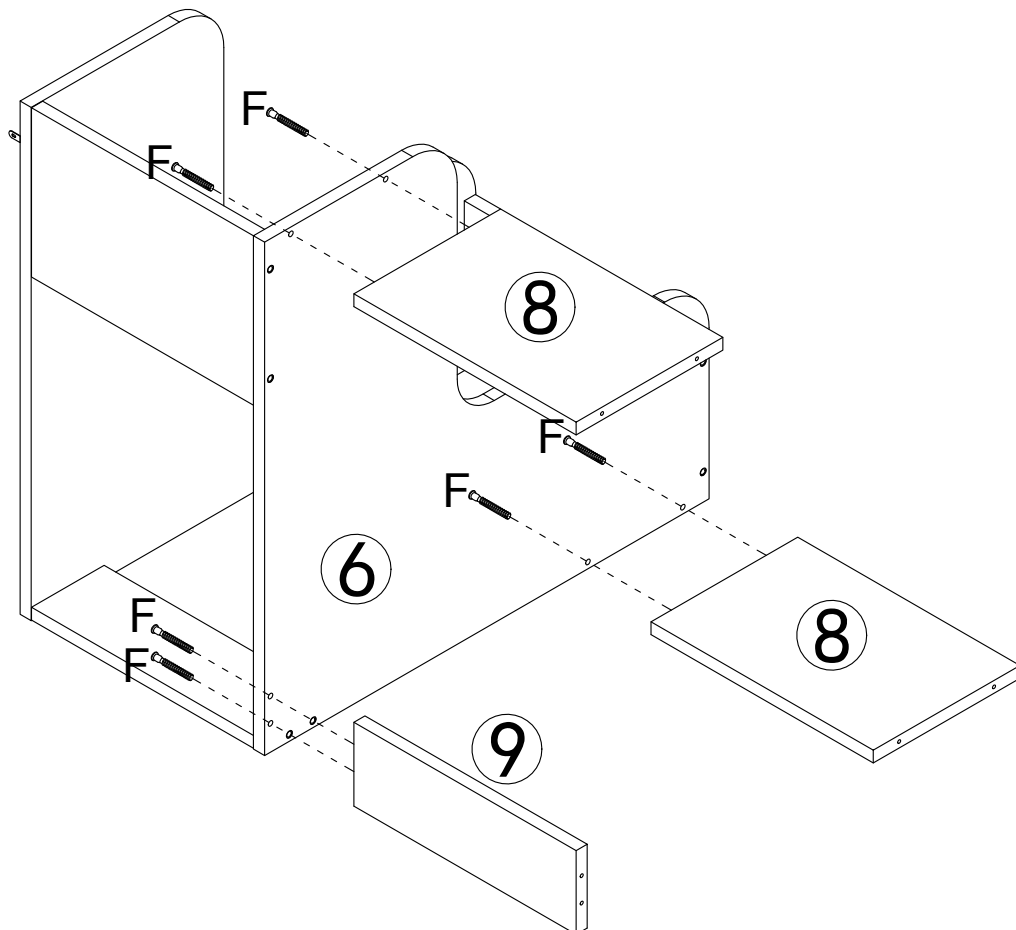
F	x6
M5x40mm	


3



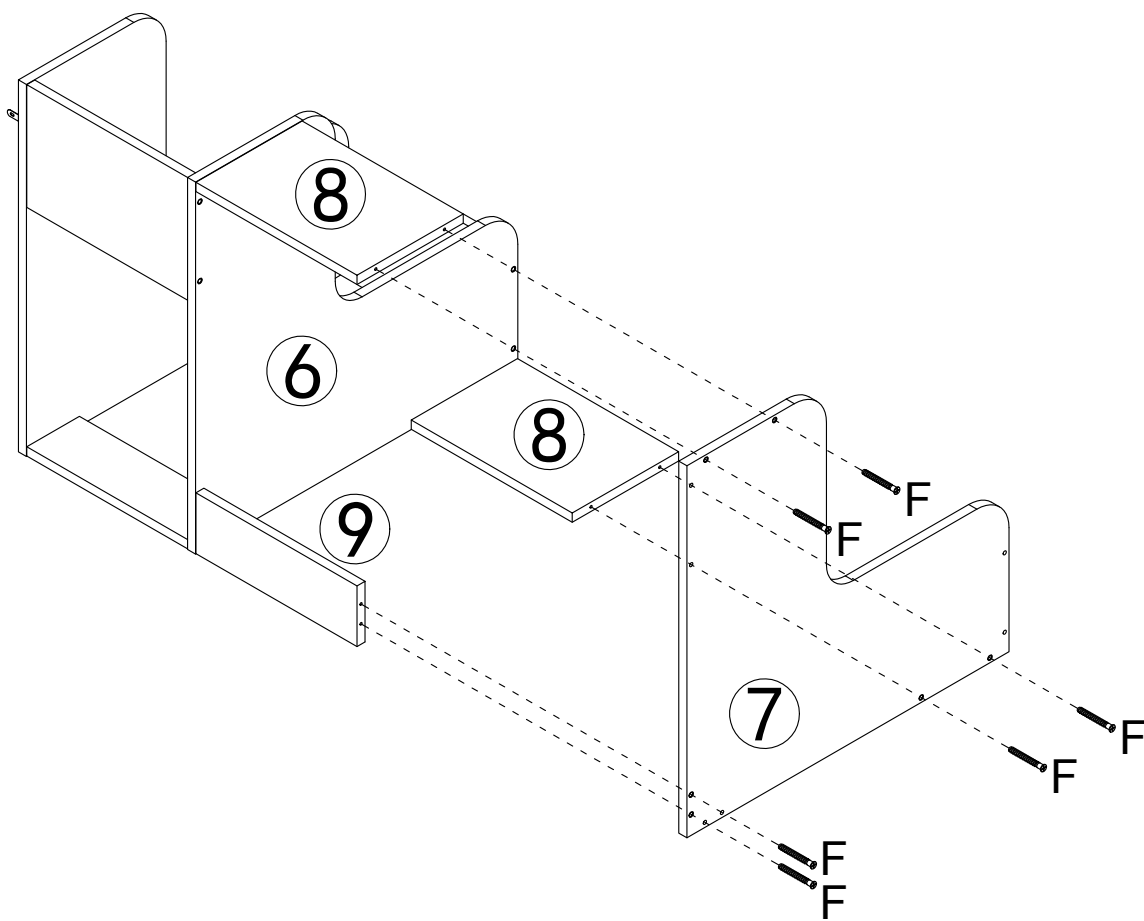
F	X6
	
M5x40mm	


4



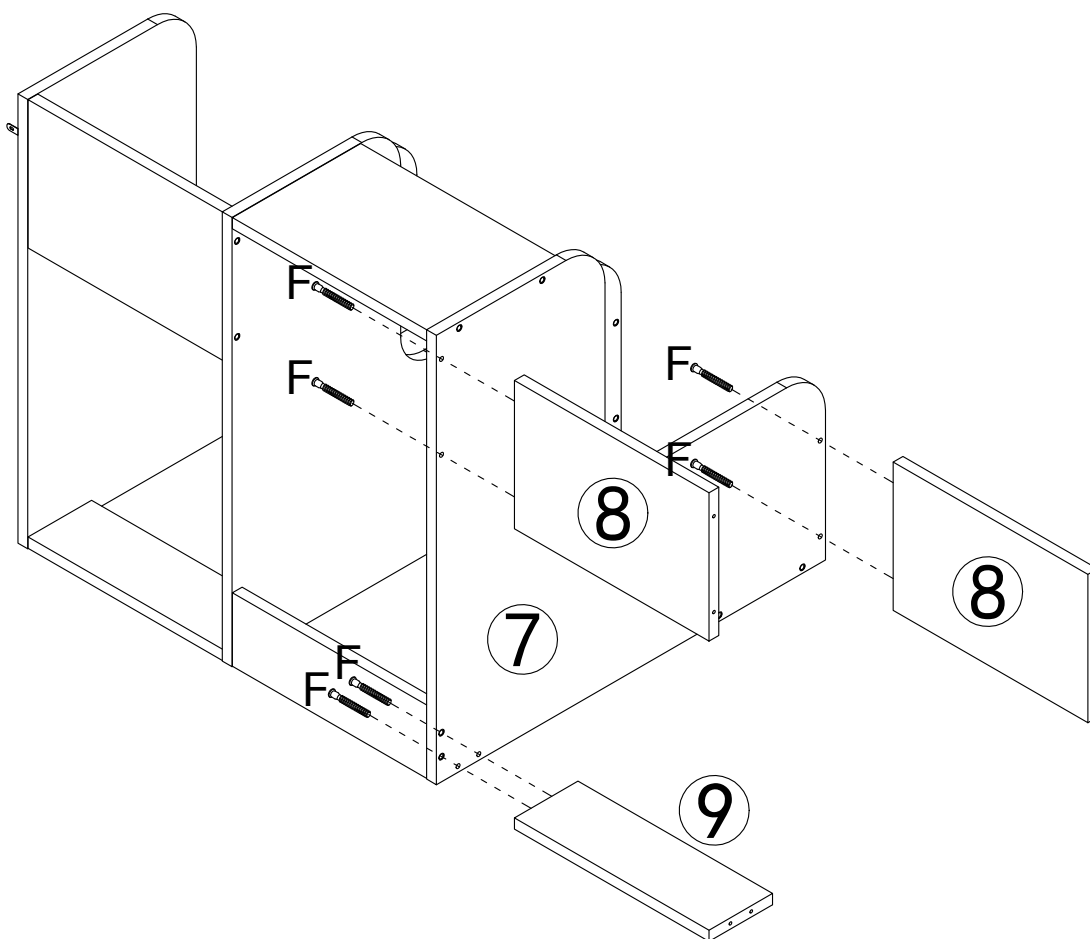
F	X6
	
M5x40mm	


5



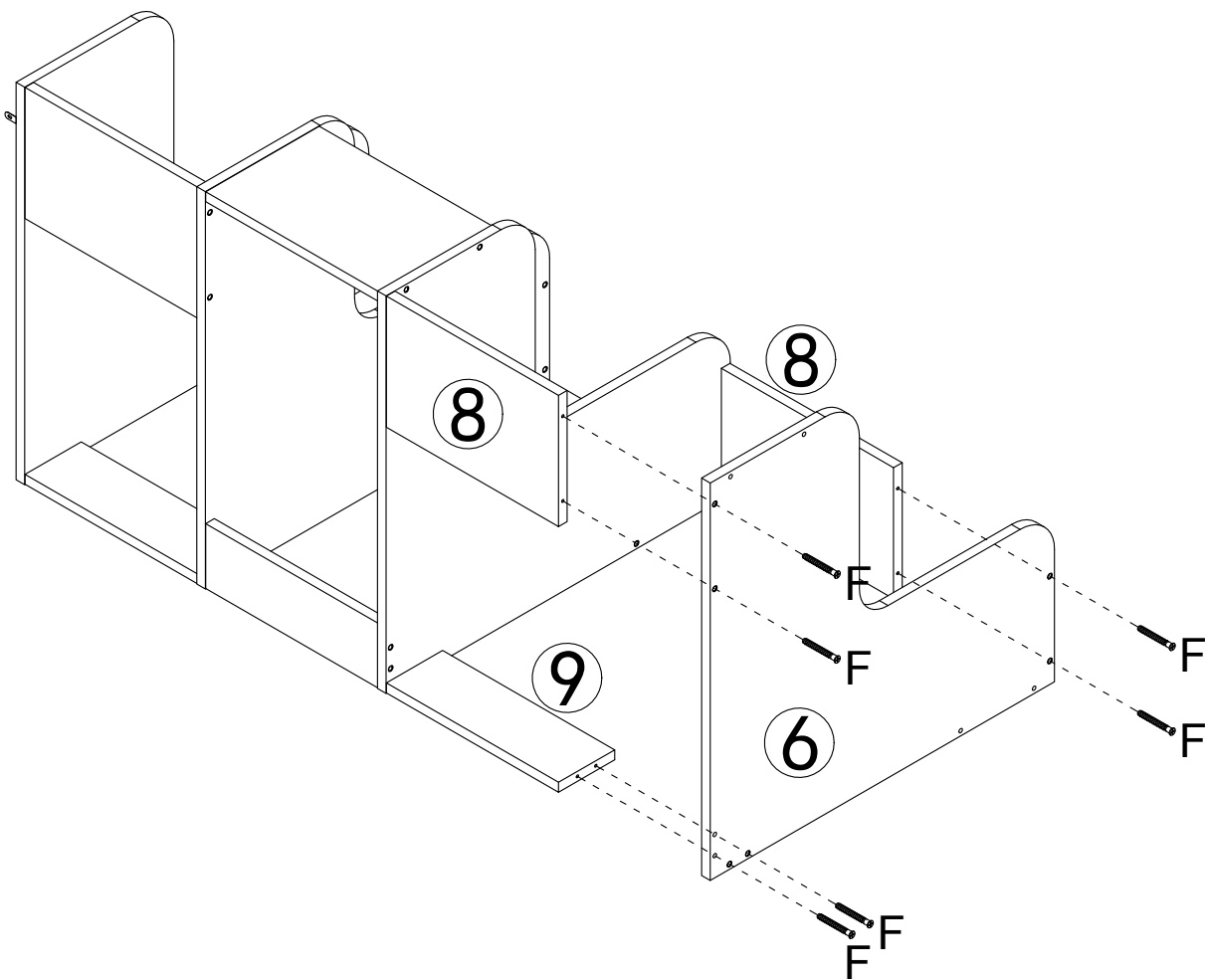
F	X6
	
M5x40mm	


6



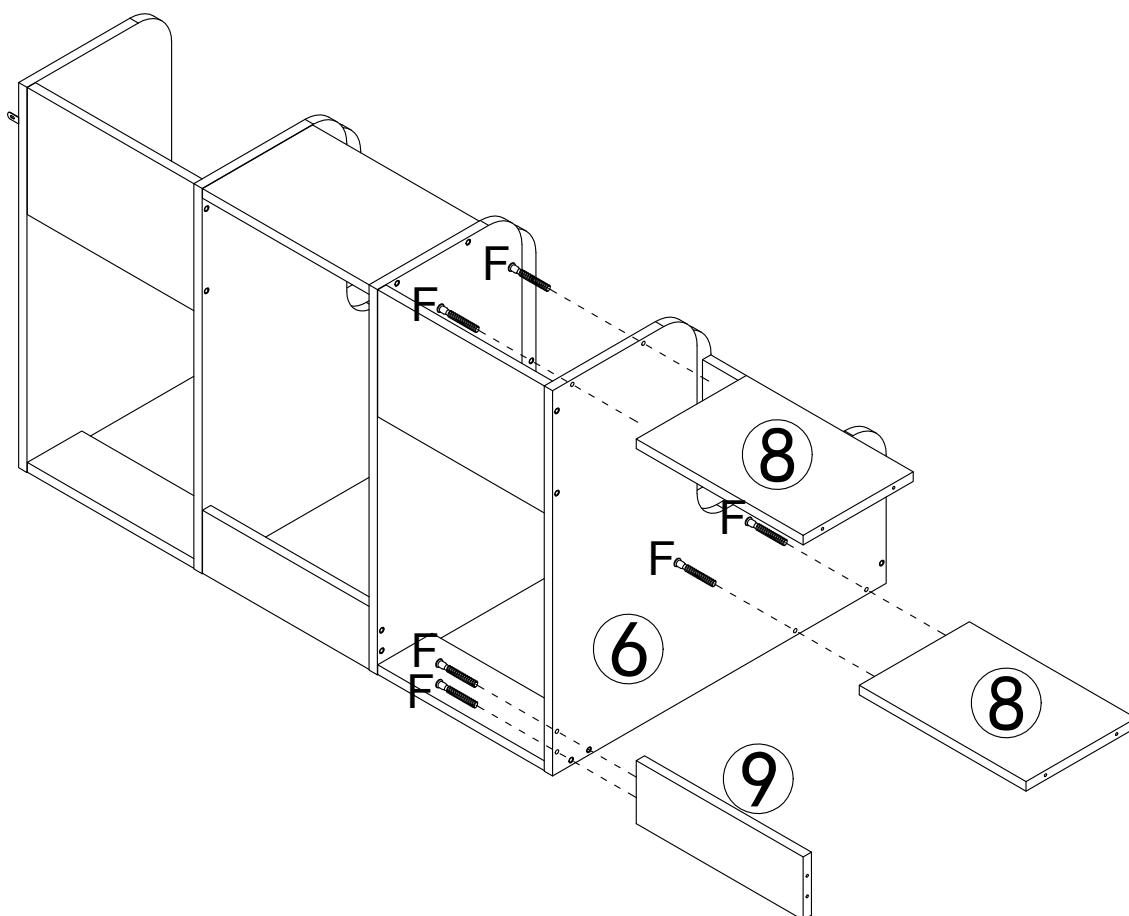
F	X6
	
M5x40mm	


7



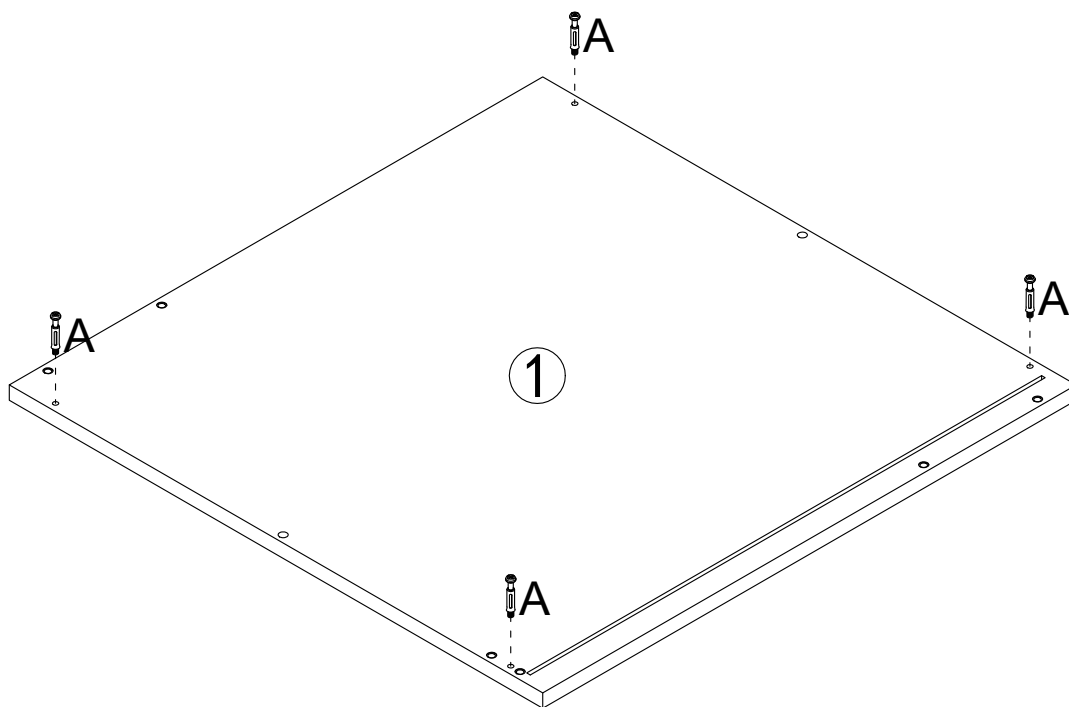
F	X6
	
M5x40mm	


8



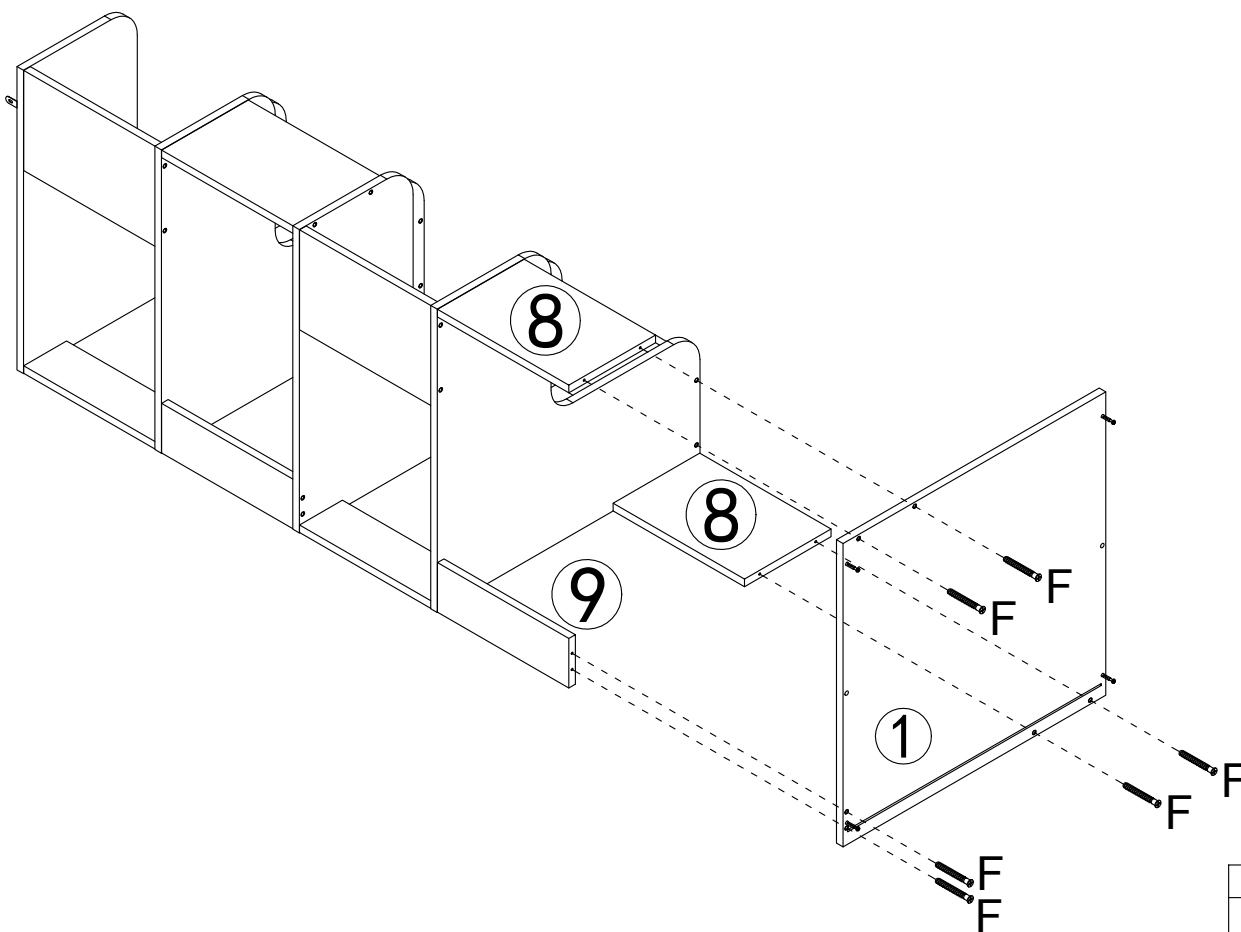
F	X6
	
M5x40mm	


9



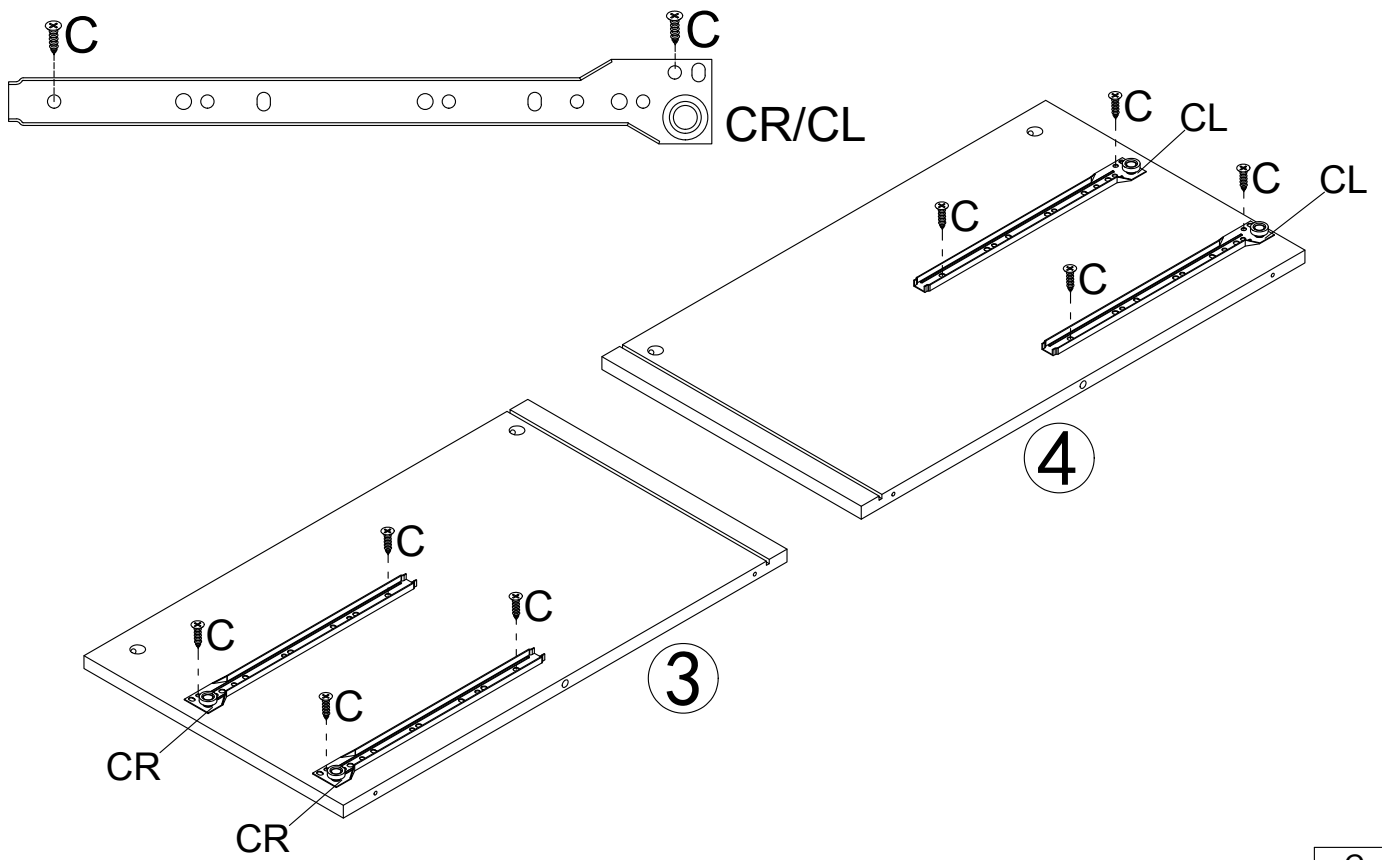
A	X4
	
M6x35mm	


10



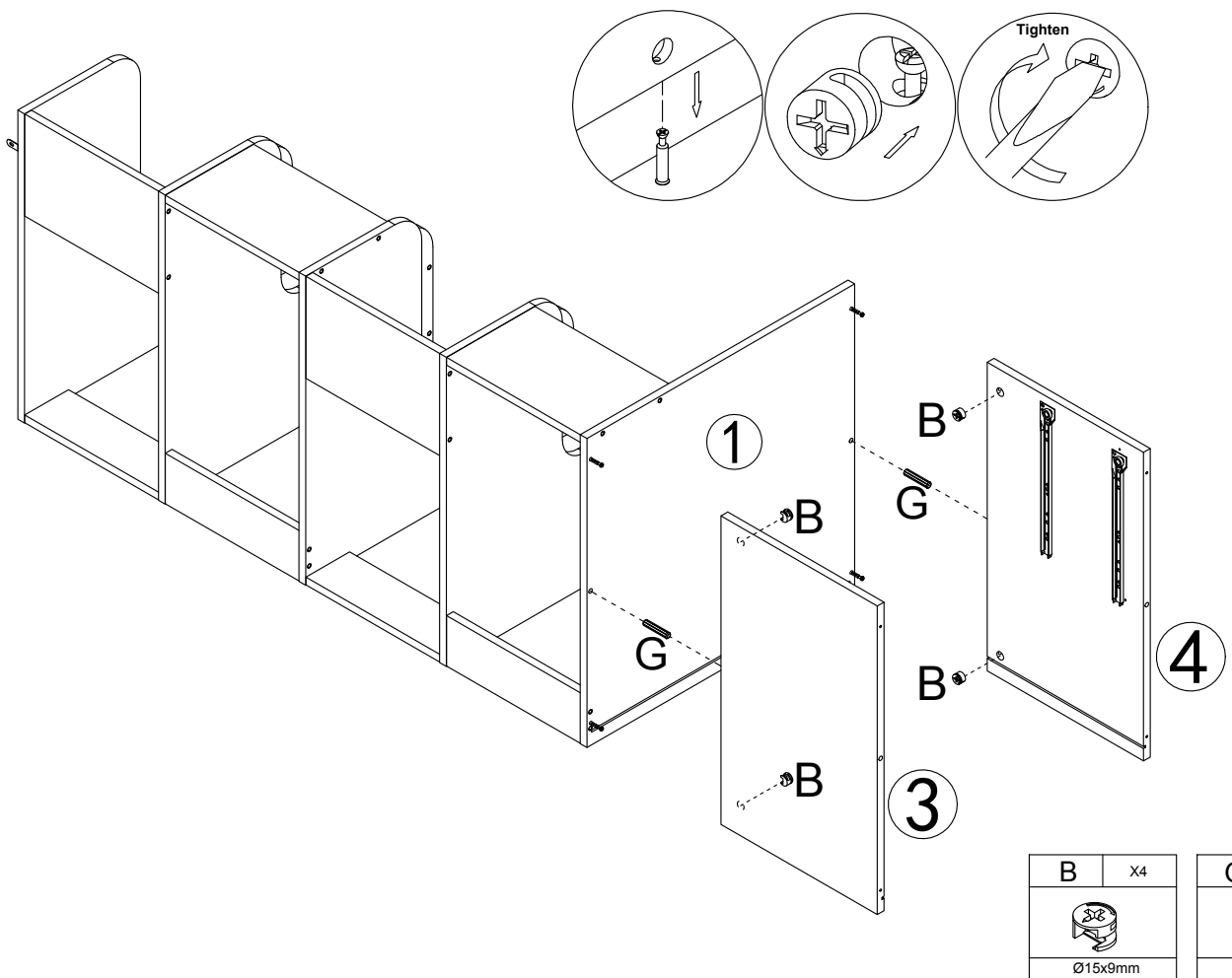
F	X6
	
M5x40mm	


11




C	X8
	
M3.5x14mm	

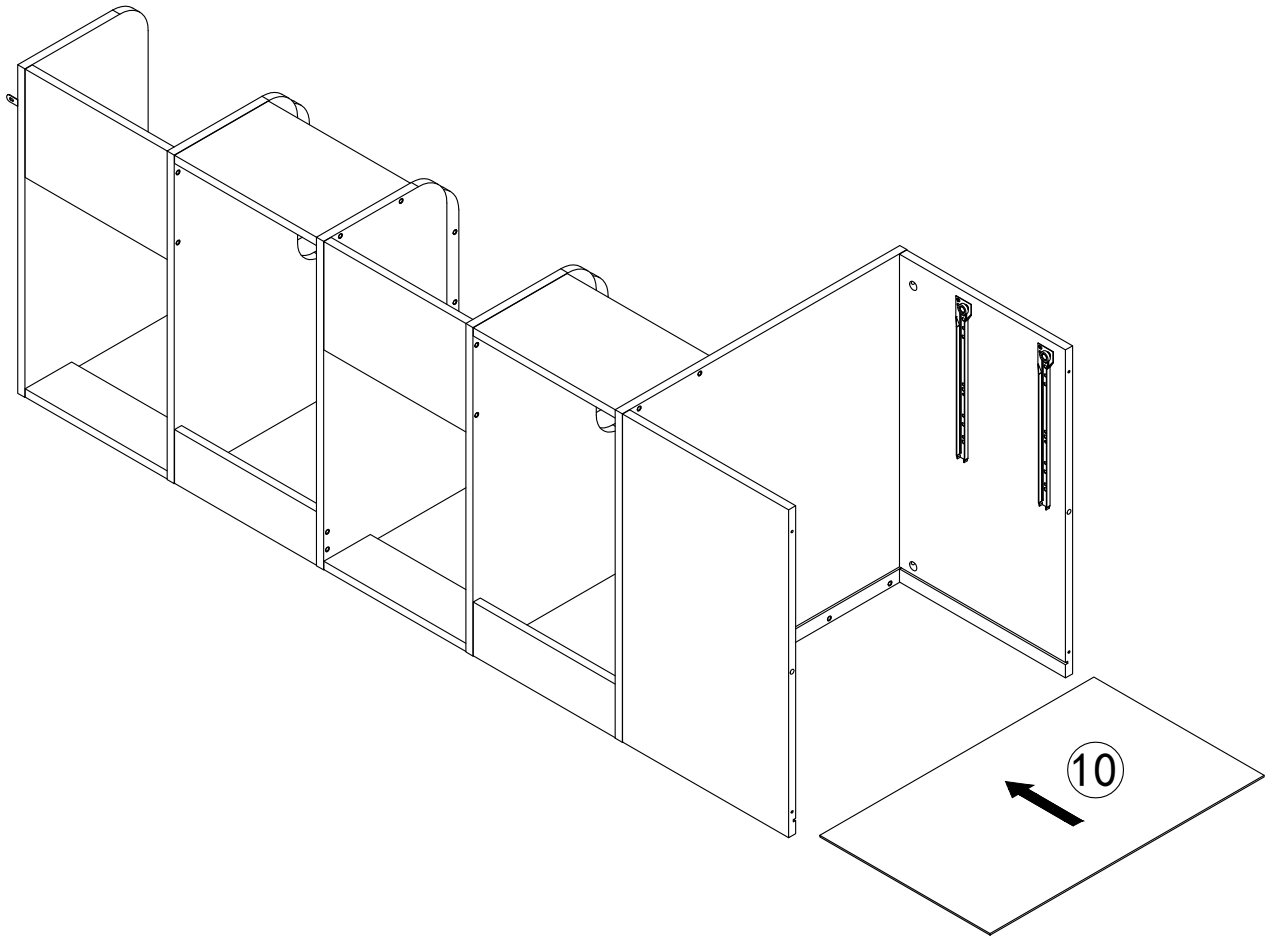
12



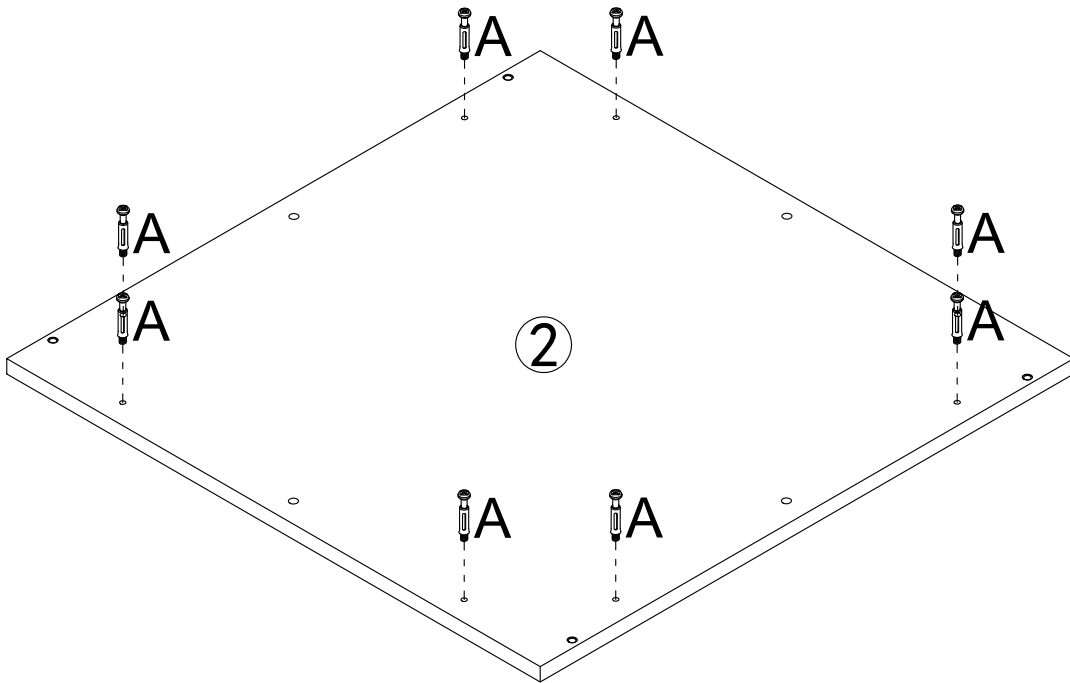
B	X4
	
Ø15x9mm	


G	X2
	
Ø8x30mm	

13

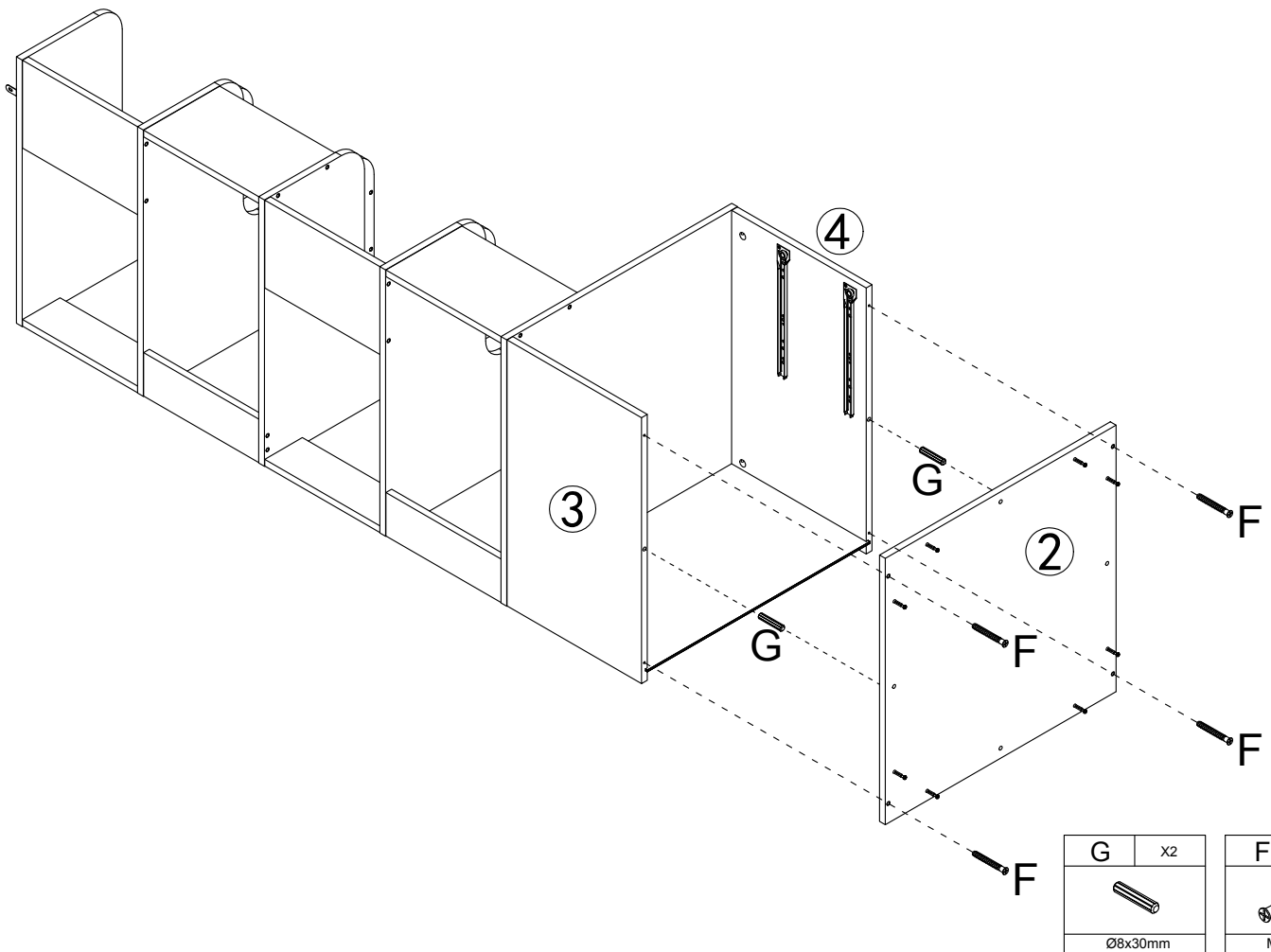



14




A	X8
	
M6x35mm	

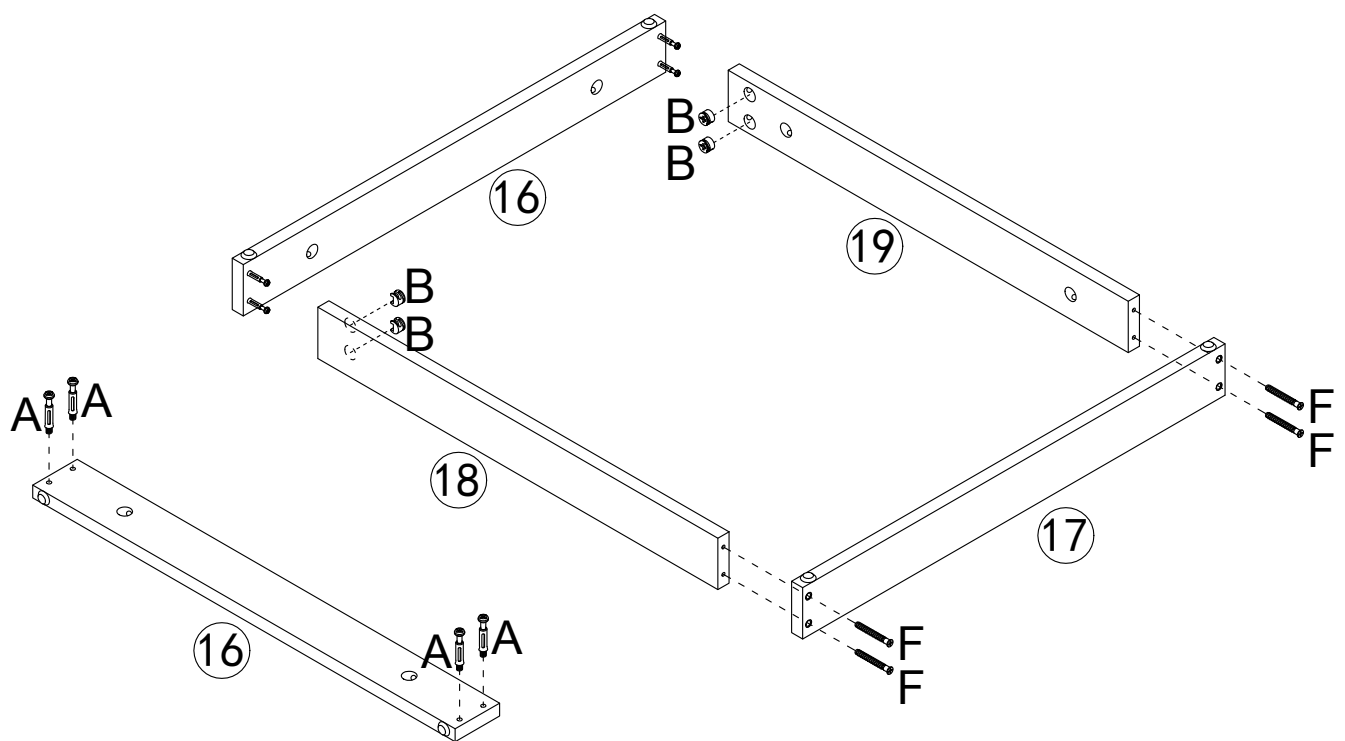
15





G	X2
	
Ø8x30mm	


F	X4
	
M5x40mm	

16

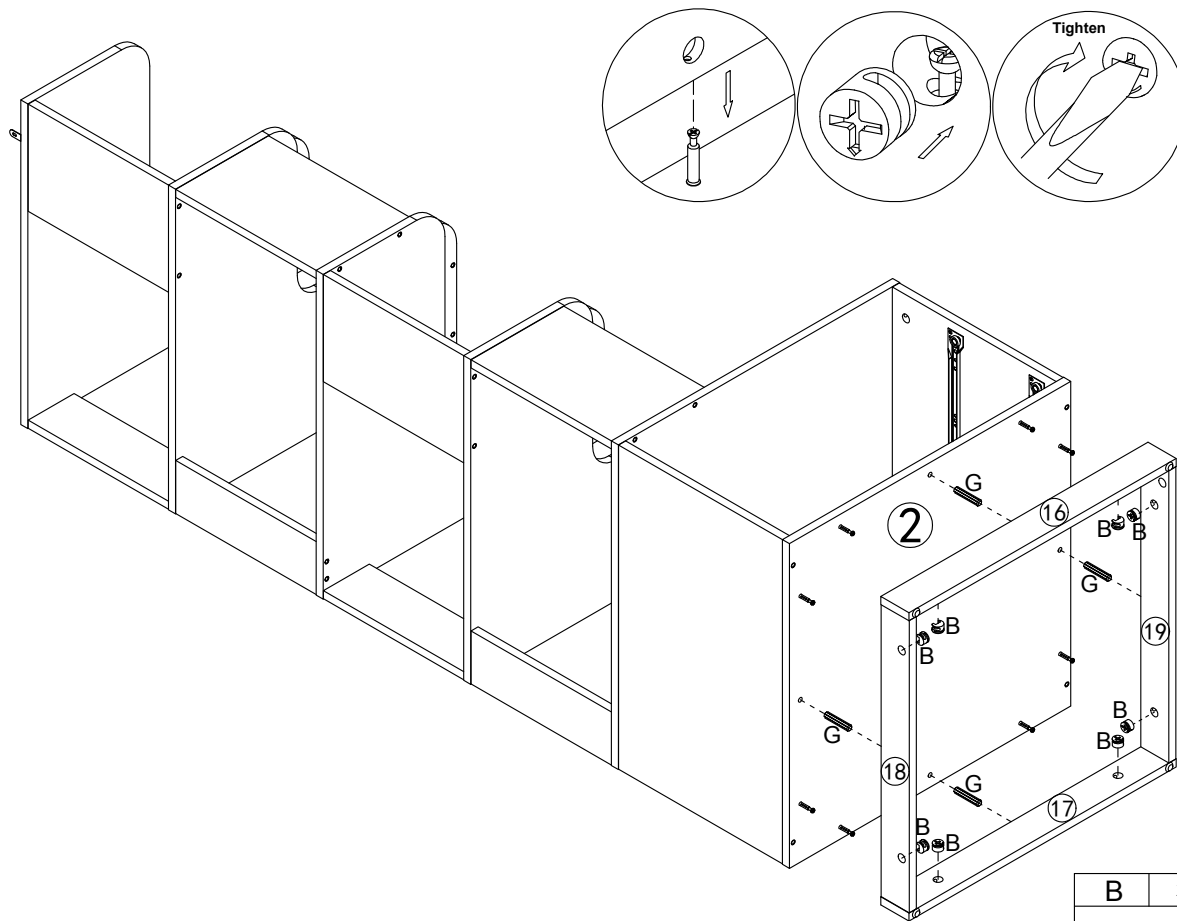



F	X4
	
M5x40mm	


A	X4
	
M6x35mm	

B	X4
	
Ø15x9mm	

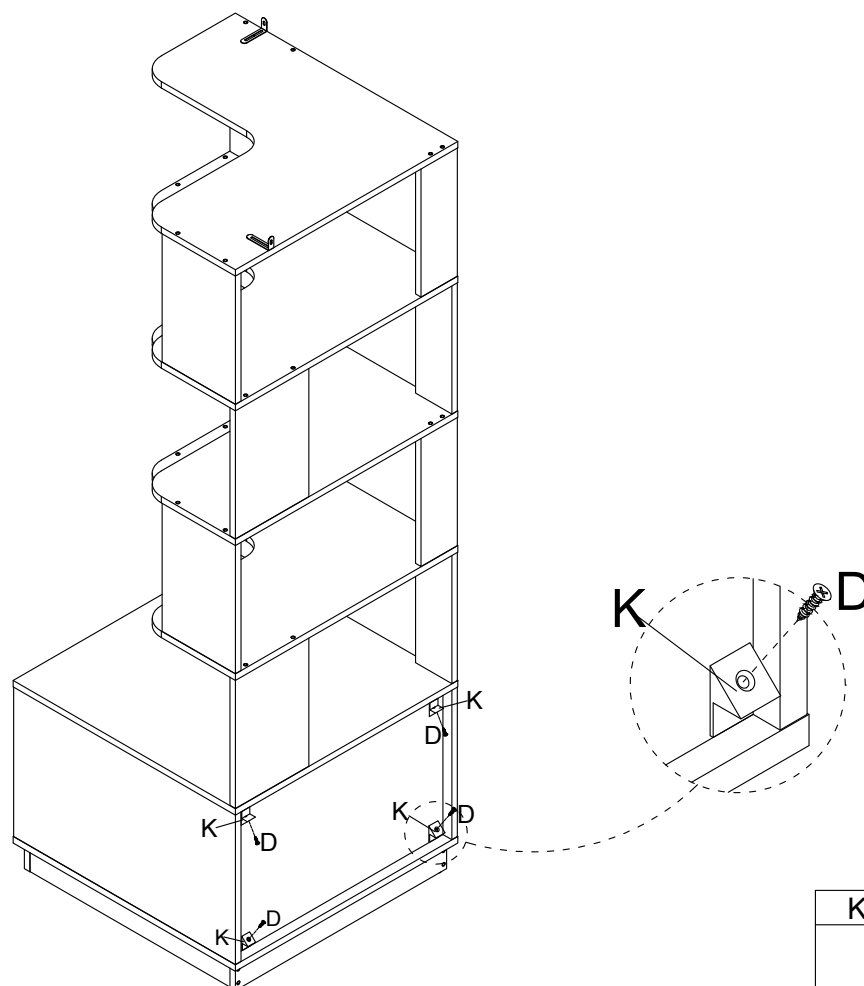
17





B	x8
	
Ø15x9mm	

G	x4
	
Ø8x30mm	

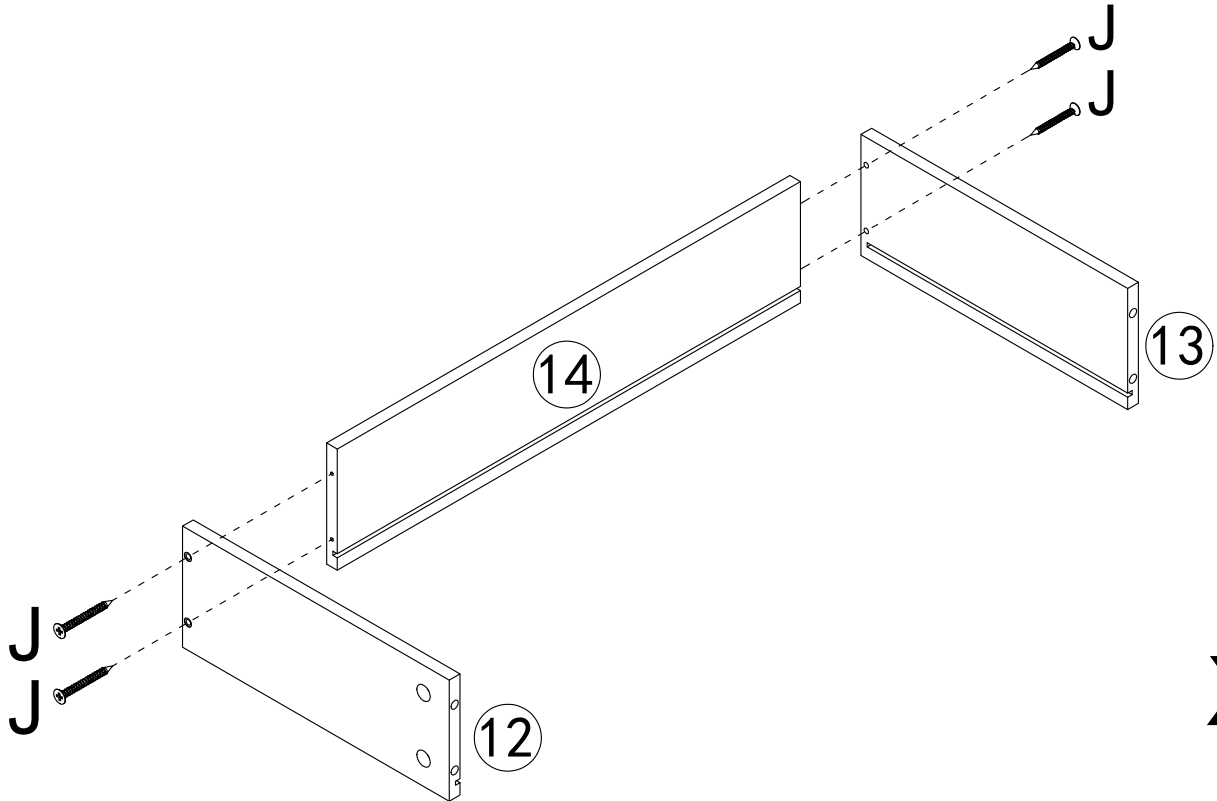
18




K	x4
	

D	x4
	
M3x16mm	

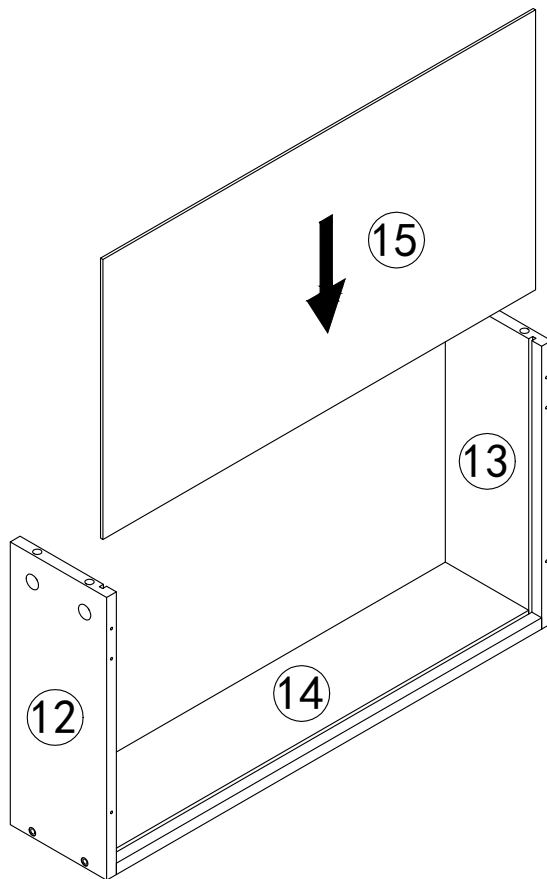
19



X2

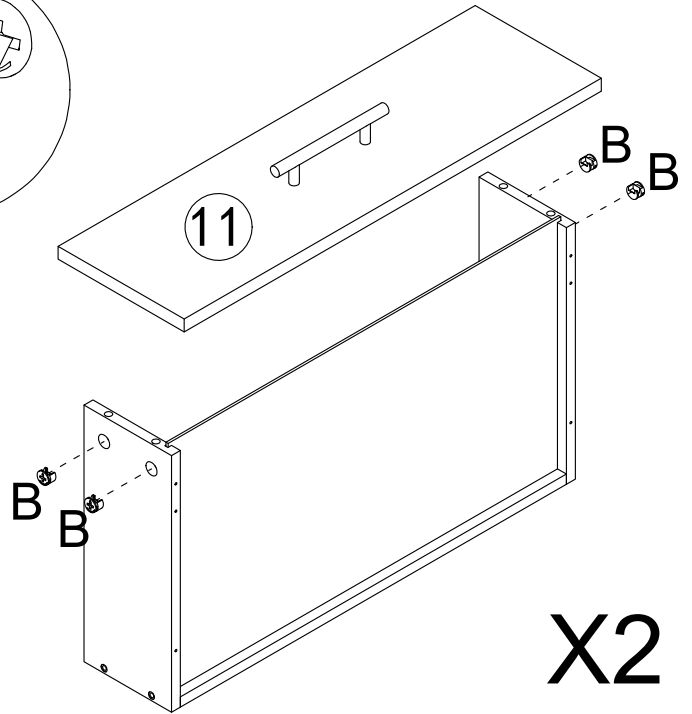
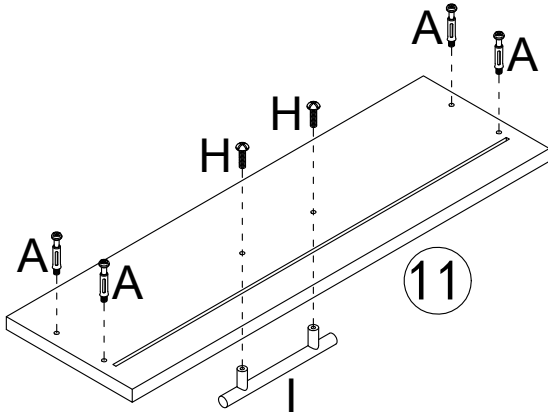
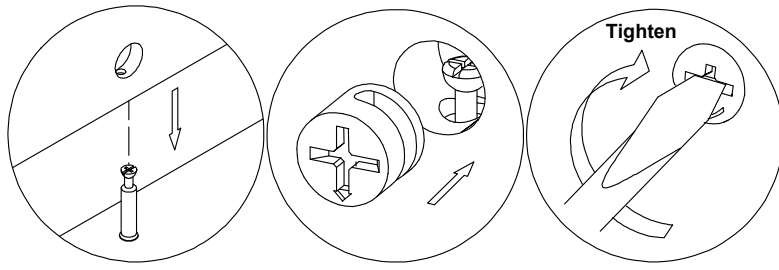
J	X8
	
M4x35mm	

20





X2


21




X2

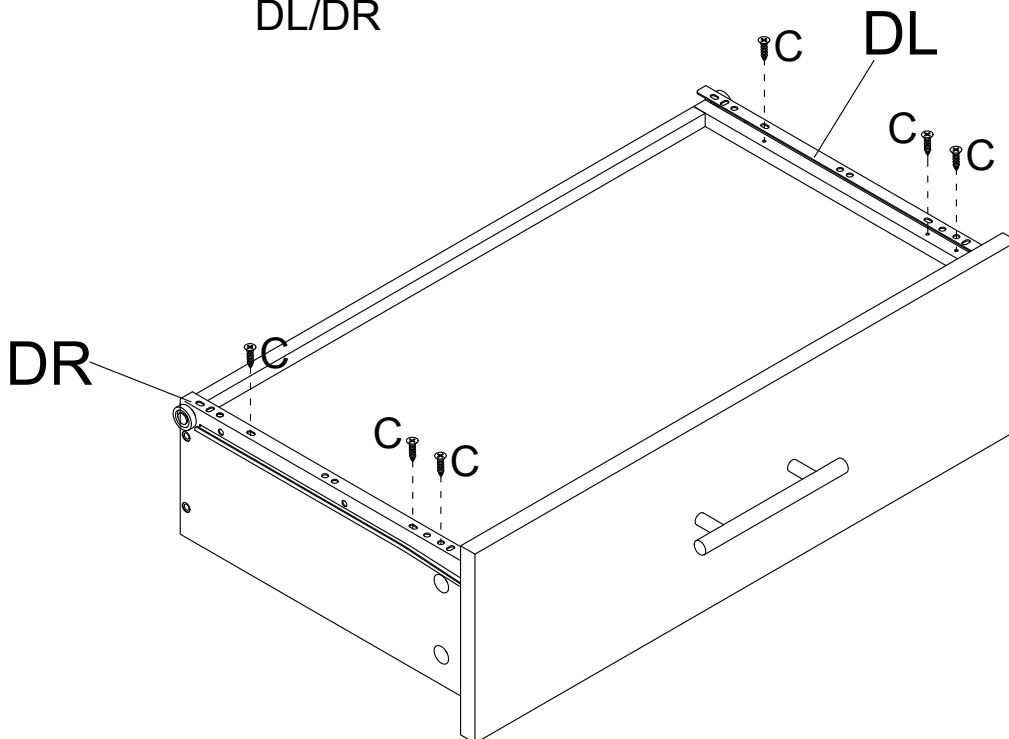
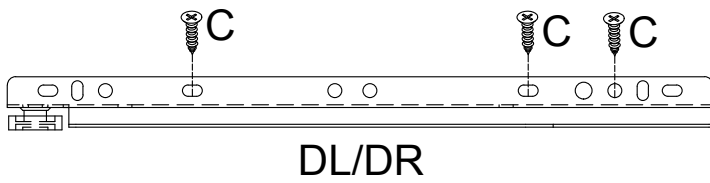
H	X4
	
M4x20mm	

I	X2
	


A	X8
	
M6x35mm	

B	X8
	
Ø15x9mm	

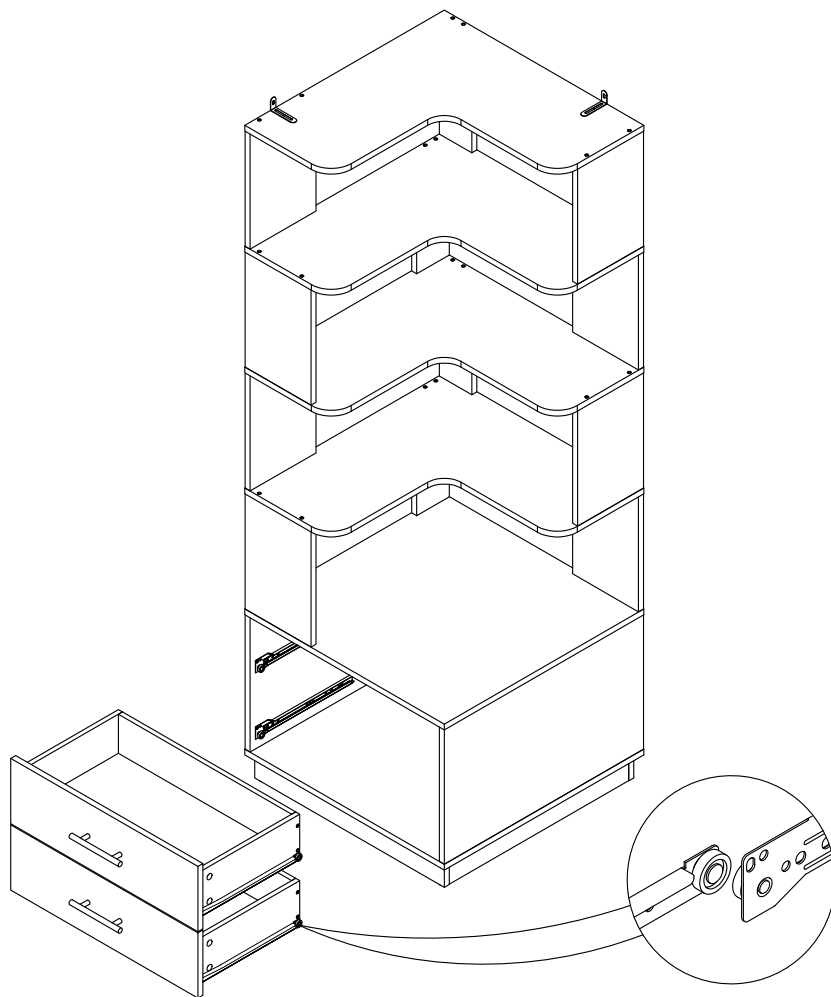
22



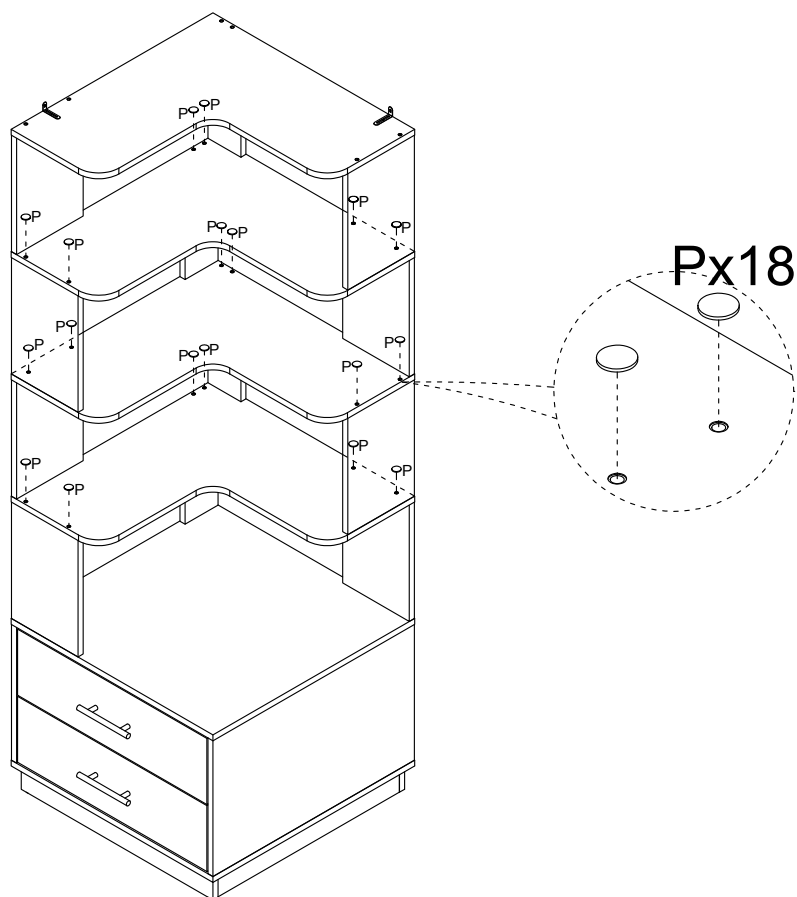
X2


C	X12
	
M3.5x14mm	

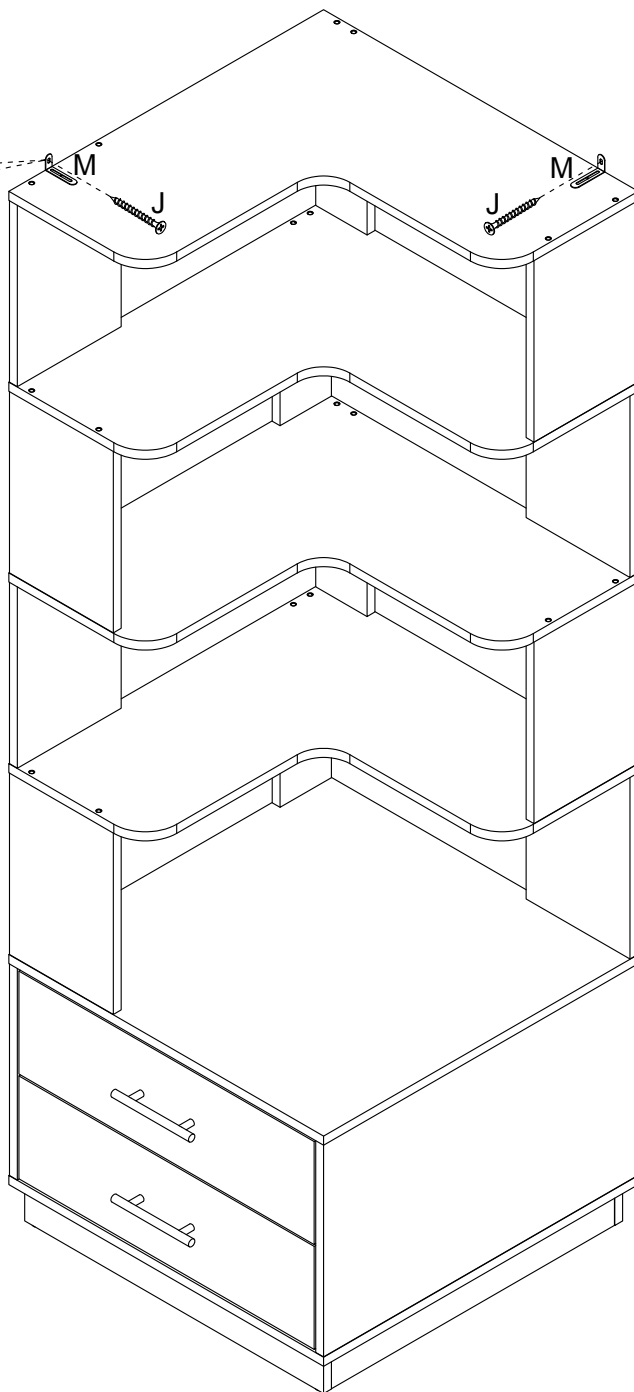
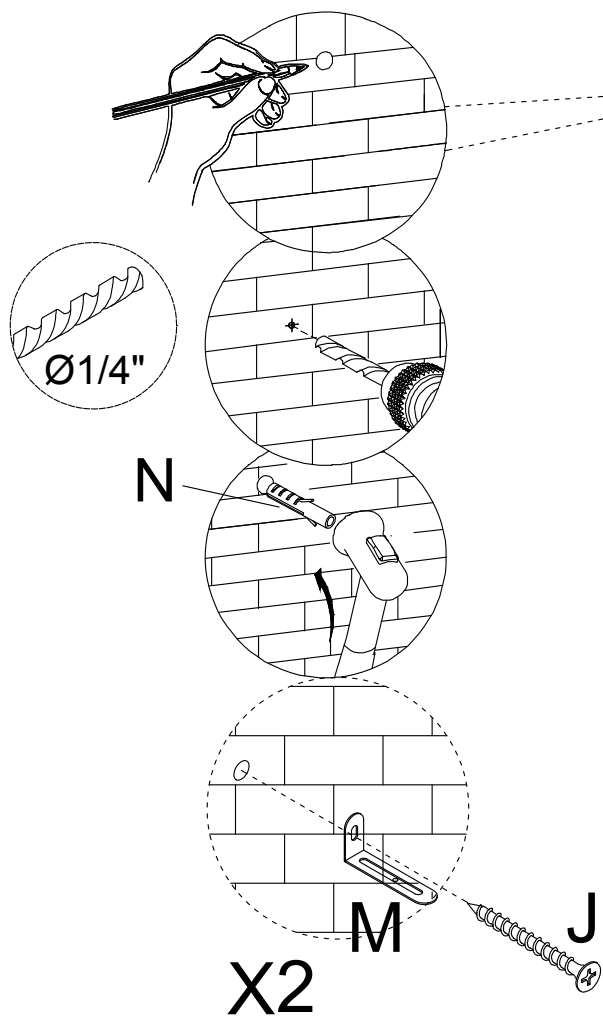
23





24



P	x18
	



N	x2
	
Ø6x30mm	

J	x2
	
M4x35mm	