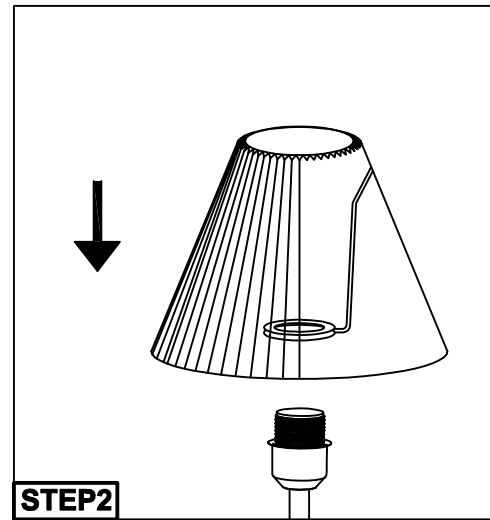
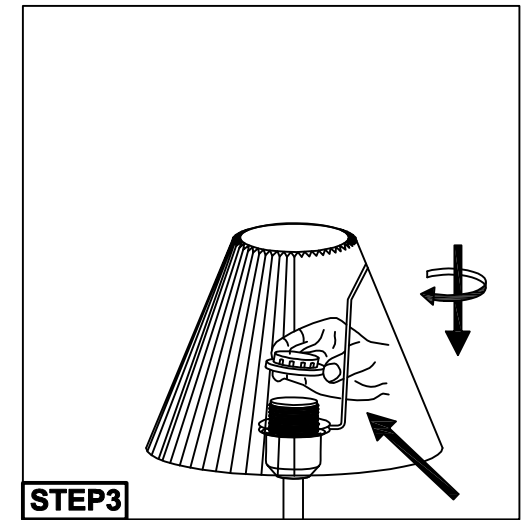


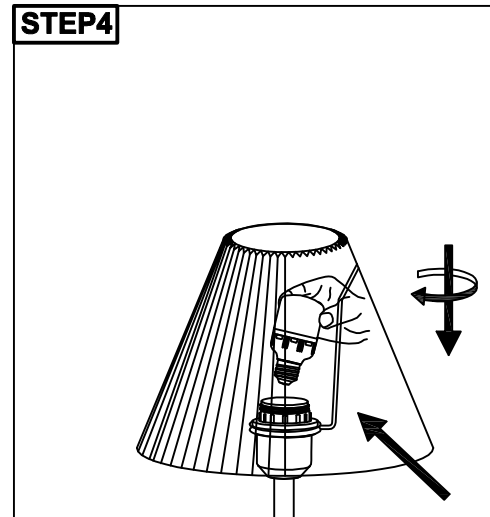
STEP1



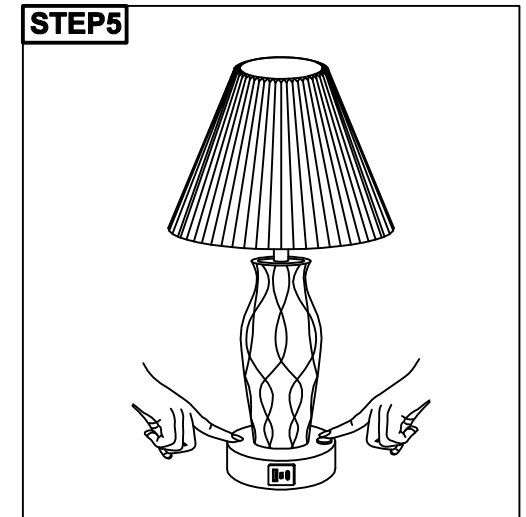
STEP2



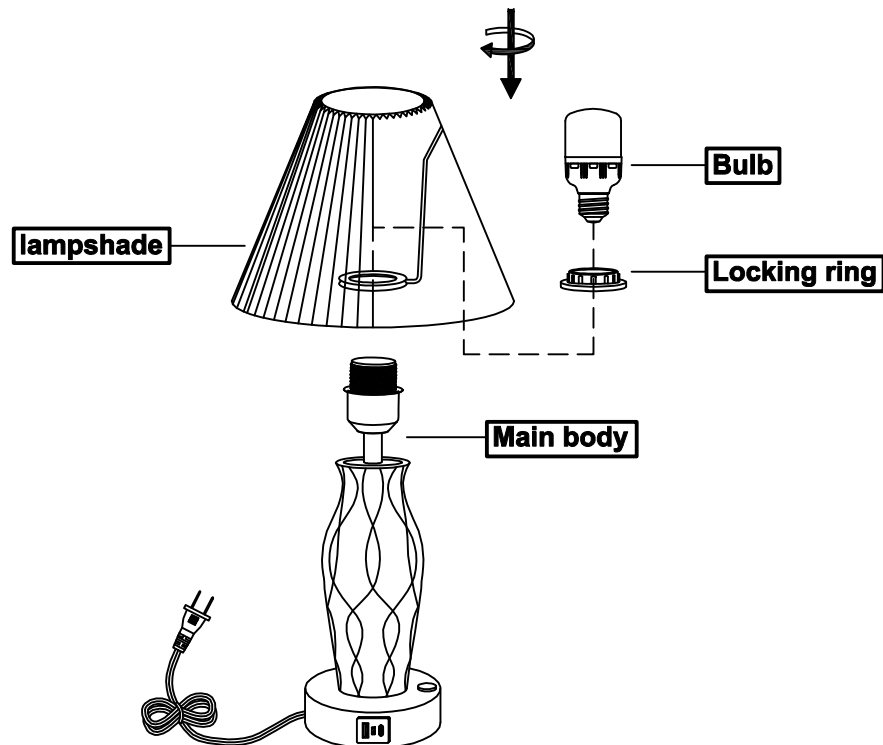
STEP3



STEP4



STEP5



INSTALLATION GUIDE (First of all, make sure that all parts are present)

- STEP1** Place the folded shade on a flat surface and use your hands to spread it out so that it is turned inside out.
- STEP2** Install the lampshade and place it onto the lamp holder of the main body.
- STEP3** Install the locking ring to the main body from below the lampshade .
- STEP4** Install the light bulb on the main body from below the lampshade .
- STEP5** Connect the plug, gently touch the base to illuminate the light source of the shade (three-step dimming: low, middle, high). Gently touch the small dot to illuminate the light source of the column (short press for color change, long press for smooth dimming).