

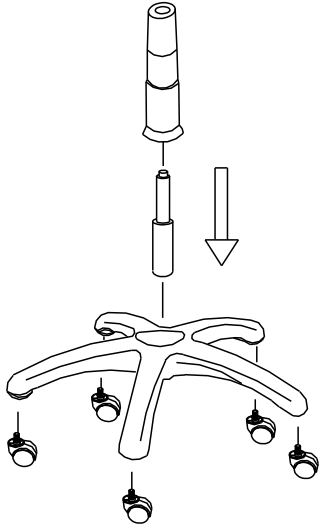


ASSEMBLY INSTRUCTIONS

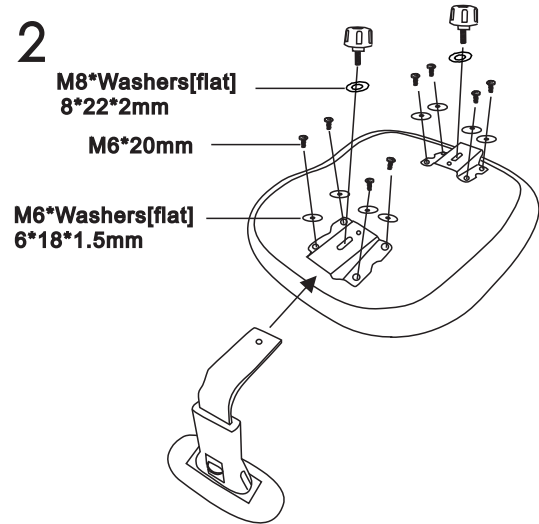


			
		Flat	
M8*20mm	3	6*18*1.5	12
M6*20mm	12	8*17*2	3
M4*14mm	2	8*22*2	2

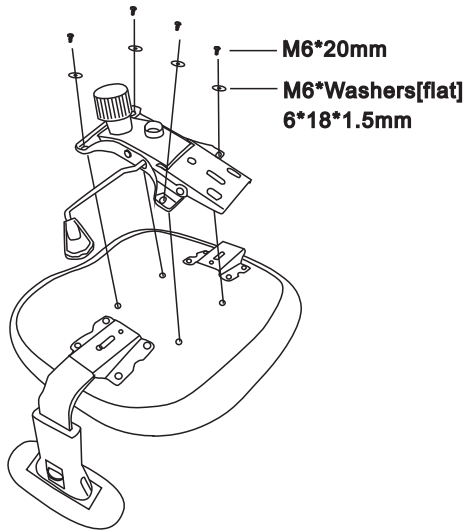
1



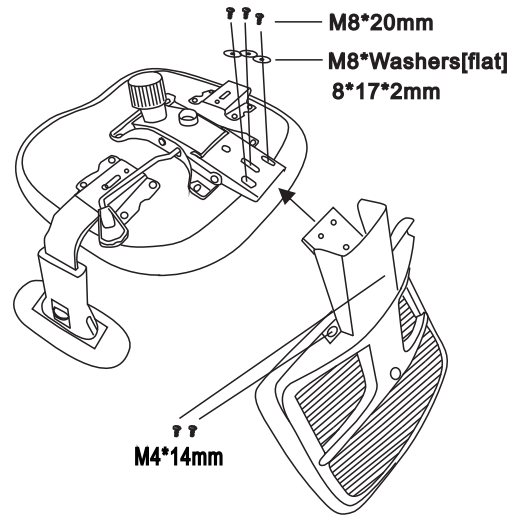
2



3



4



5



PREVENTIVE MAINTENANCE AND WARNING

- This chair is designed for seating only, DO NOT USE AS A STEP LADDER.
- Do not use chair if there are any missing parts. Inspect chair and tighten any loose screws and bolts every 3 months.
- Do not sit .Chair is designed for single person use.