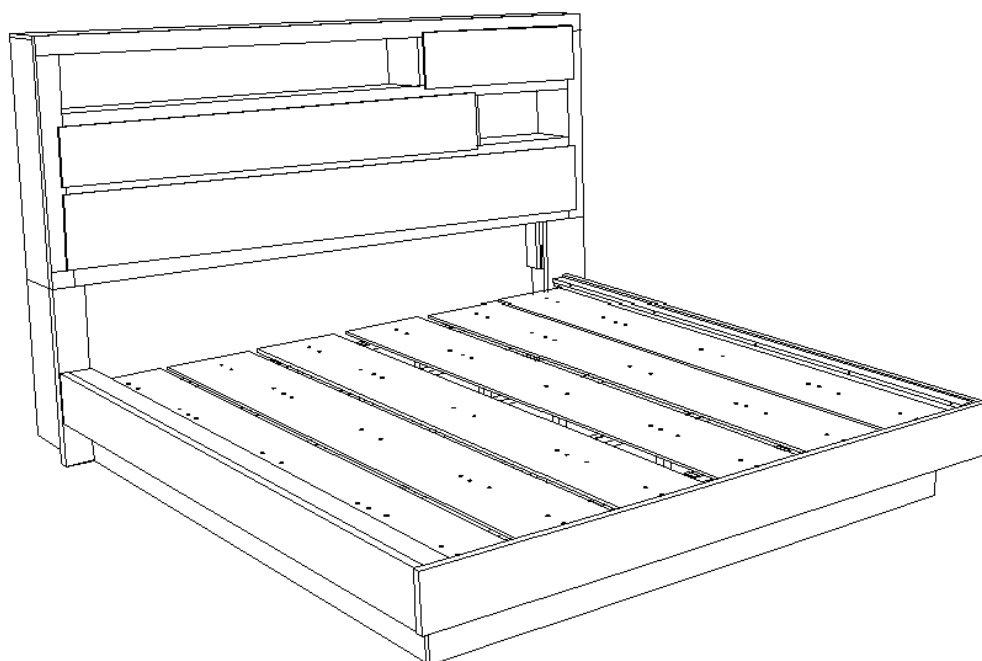


ASSEMBLY INSTRUCTIONS



Fine Furniture for every stage of life

(B1- B3) California King Bed

ASSEMBLY INSTRUCTIONS

ASSEMBLY TIPS:

1. Remove hardware from box and sort by size.
2. Please check to see that all hardware and parts are present prior to start of assembly.
3. Please follow attached instructions in the same sequence as numbered to assure fast & easy assembly.



WARNING!

1. Don't attempt to repair or modify parts that are broken or defective. Please contact the store immediately.
2. This product is for home use only and not intended for commercial establishments.



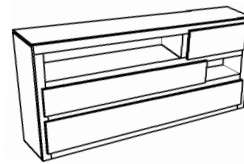
ASSEMBLY TIME

20 MINUTES

PARTS IDENTIFICATION

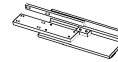
B1 (BOX 1)

A STORAGE HEADBOARD



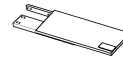
1PC

B LEFT HEADBOARD LEG



1PC

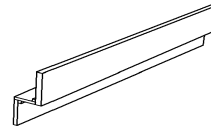
C RIGHT HEADBOARD LEG



1PC

B2 (BOX 2)

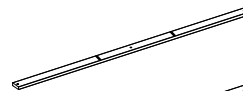
D FOOTBOARD



1PC

B3 (BOX 3)

E BED SLAT WITH MARKING



2PCS

F BED SLAT WITHOUT MARKING



3PCS

G BED SLAT SUPPORT WITH LEVELER



10PCS

H BED RAIL



2PCS

I BED RAIL BASE PANEL



2PCS

J TRESTLE BAR



1PC

K CONCEAL PANEL



5PCS

L TOP RAIL



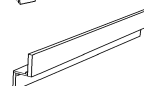
2PCS

HB HEADBOARD COMPLETE



1PC

D FOOTBOARD



1PC

ASSEMBLY INSTRUCTIONS

ASSEMBLY TIPS:

1. Remove hardware from box and sort by size.
2. Please check to see that all hardware and parts are present prior to start of assembly.
3. Please follow attached instructions in the same sequence as numbered to assure fast & easy assembly.







WARNING!

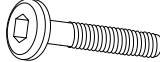





1. Don't attempt to repair or modify parts that are broken or defective. Please contact the store immediately.
2. This product is for home use only and not intended for commercial establishments.

HARDWARE IDENTIFICATION

Z-B1(BOX 1) - HARDWARE PACK IS LOCATED IN (B1)

1	BOLT (M6 x 30mm - BLK)		12PCS
2	LOCK WASHER (1/4" - BLK)		12PCS
3	FLAT WASHER (1/4" x 19mm - BLK)		12PCS
4	SMALL ALLEN WRENCH (M4 x 65mm - BLK)		1PC

Z-B3(BOX 3) - HARDWARE PACK IS LOCATED IN (B3)

5	BOLT (M6 x 50mm - BLK)		10PCS
6	FLAT HEAD SCREW (M4 x 32mm - BLK)		12PCS
7	SHORT PAN HEAD SCREW (M3.5 x 20mm - BLK)		30PCS
8	LONG PAN HEAD SCREW (M4 x 45mm - BLK)		10PCS
9	SMALL ALLEN WRENCH (M4 x 65mm - BLK)		1PC
10	BIG ALLEN WRENCH (M5 x 65mm - BLK)		1PC

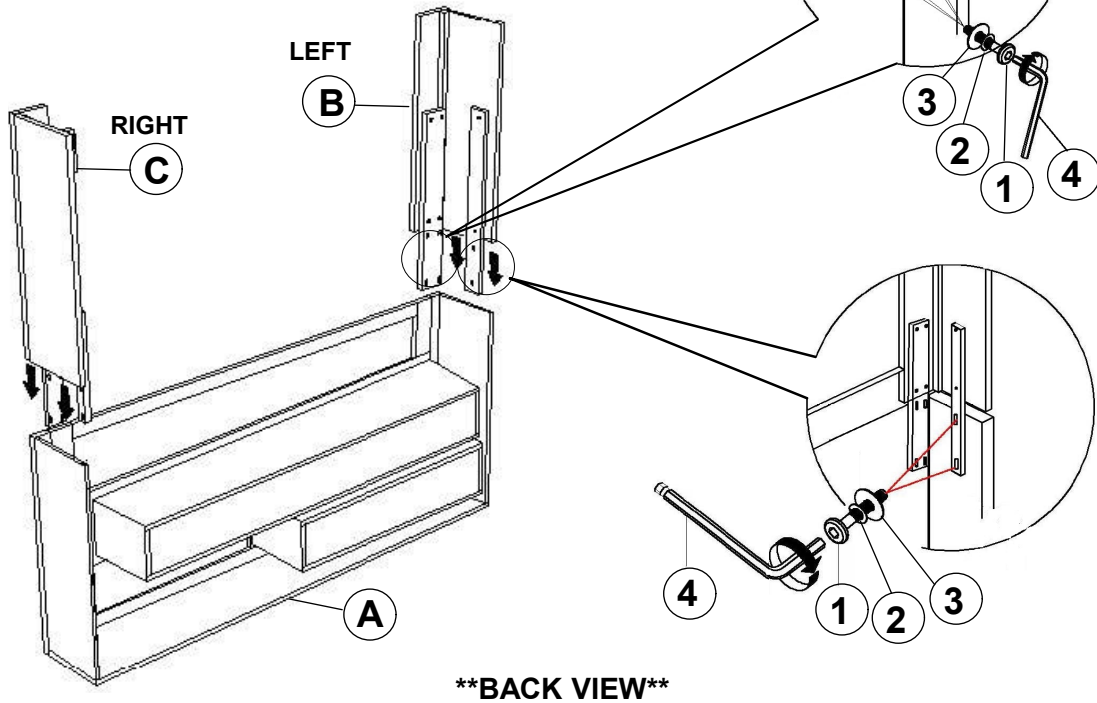
NOTE:

Phillips head screw driver is required in the assembly process; however, manufacturer does not provide this item.

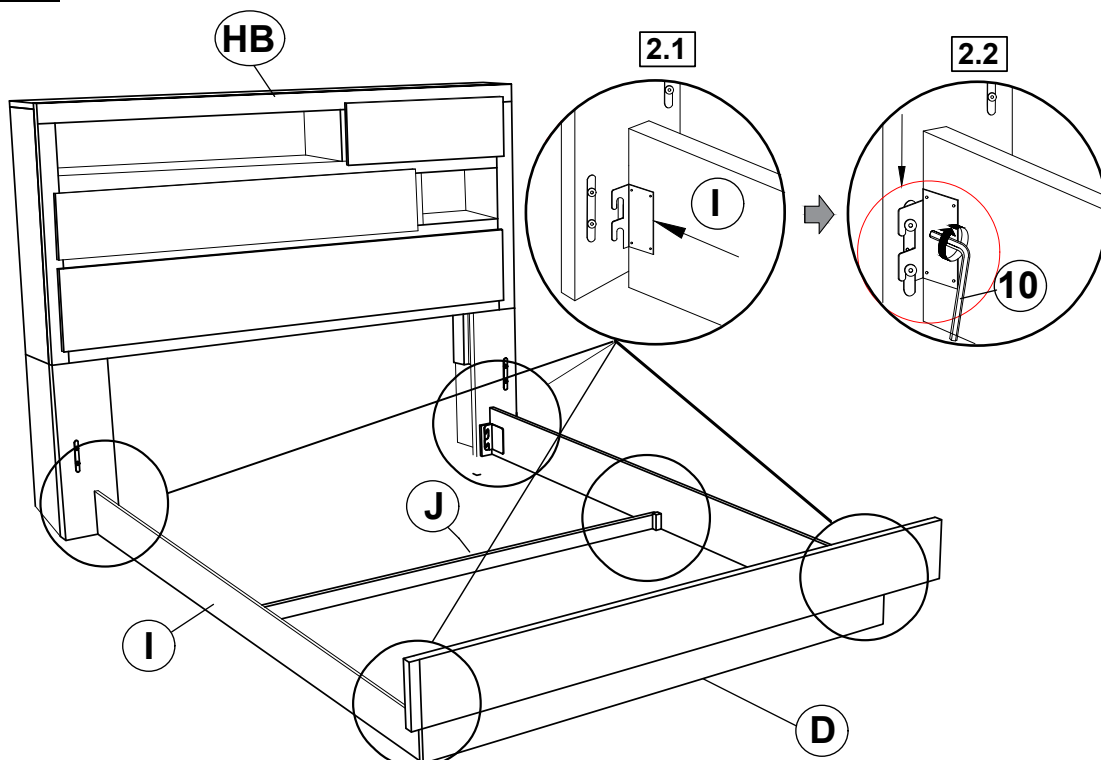
ASSEMBLY INSTRUCTIONS

STEP 1

Note : Please put item on soft surface.
Please take note of the marking sticker (L&R) on the leg.

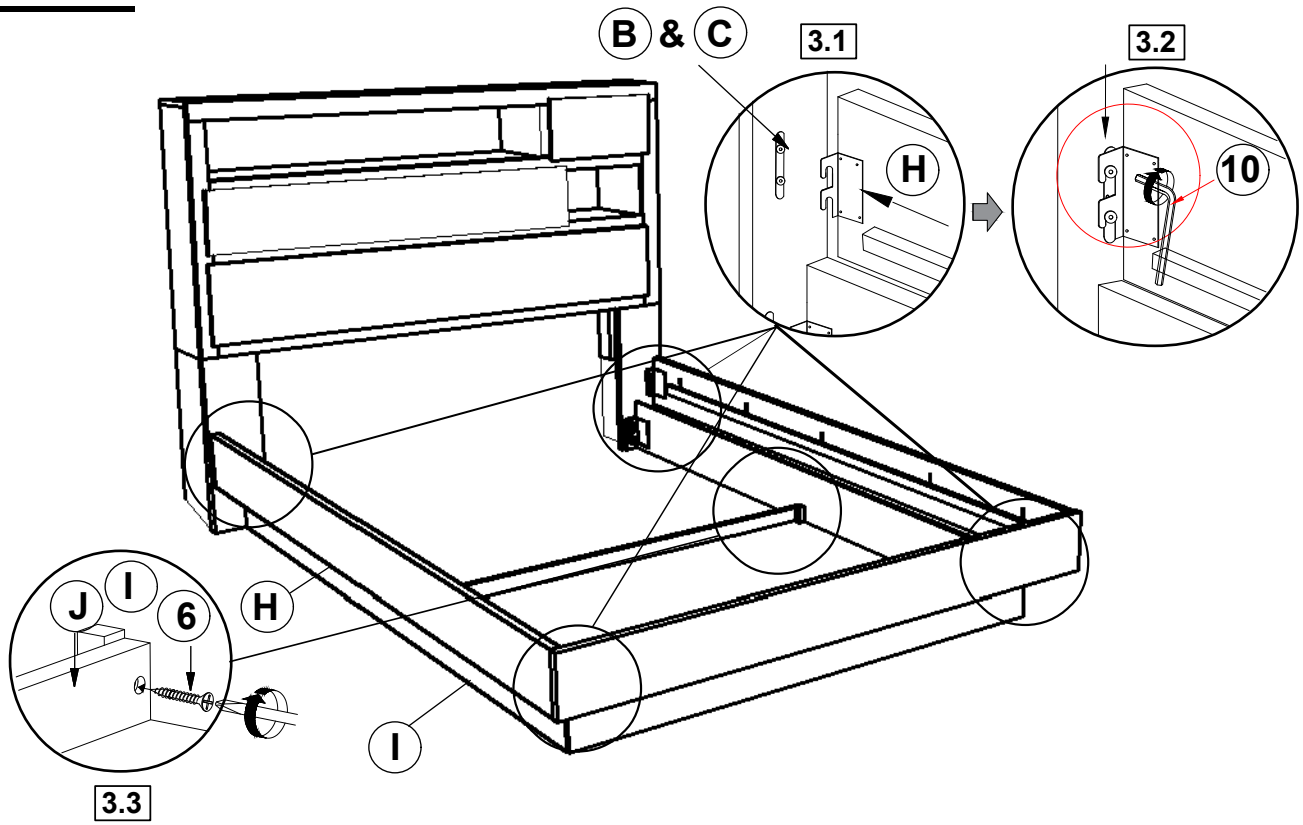


STEP 2

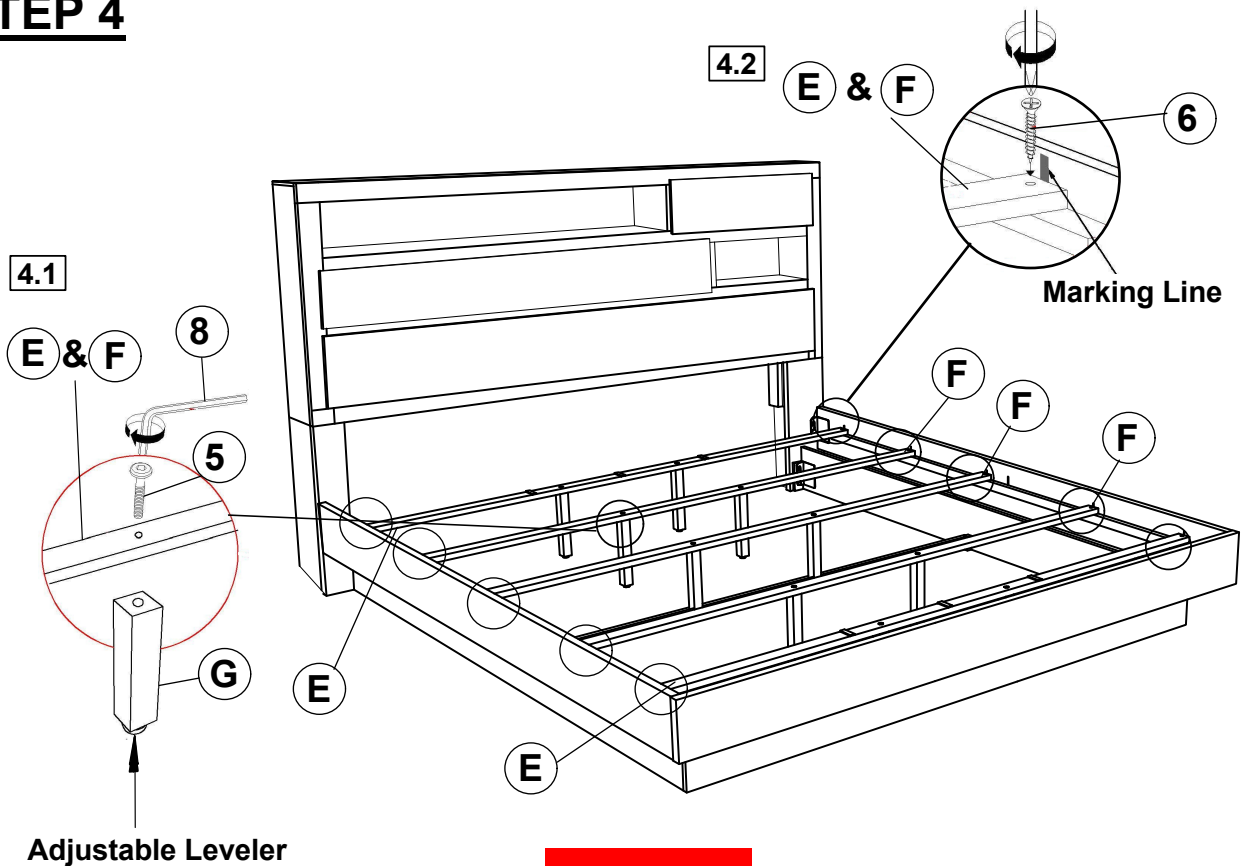


ASSEMBLY INSTRUCTIONS

STEP 3

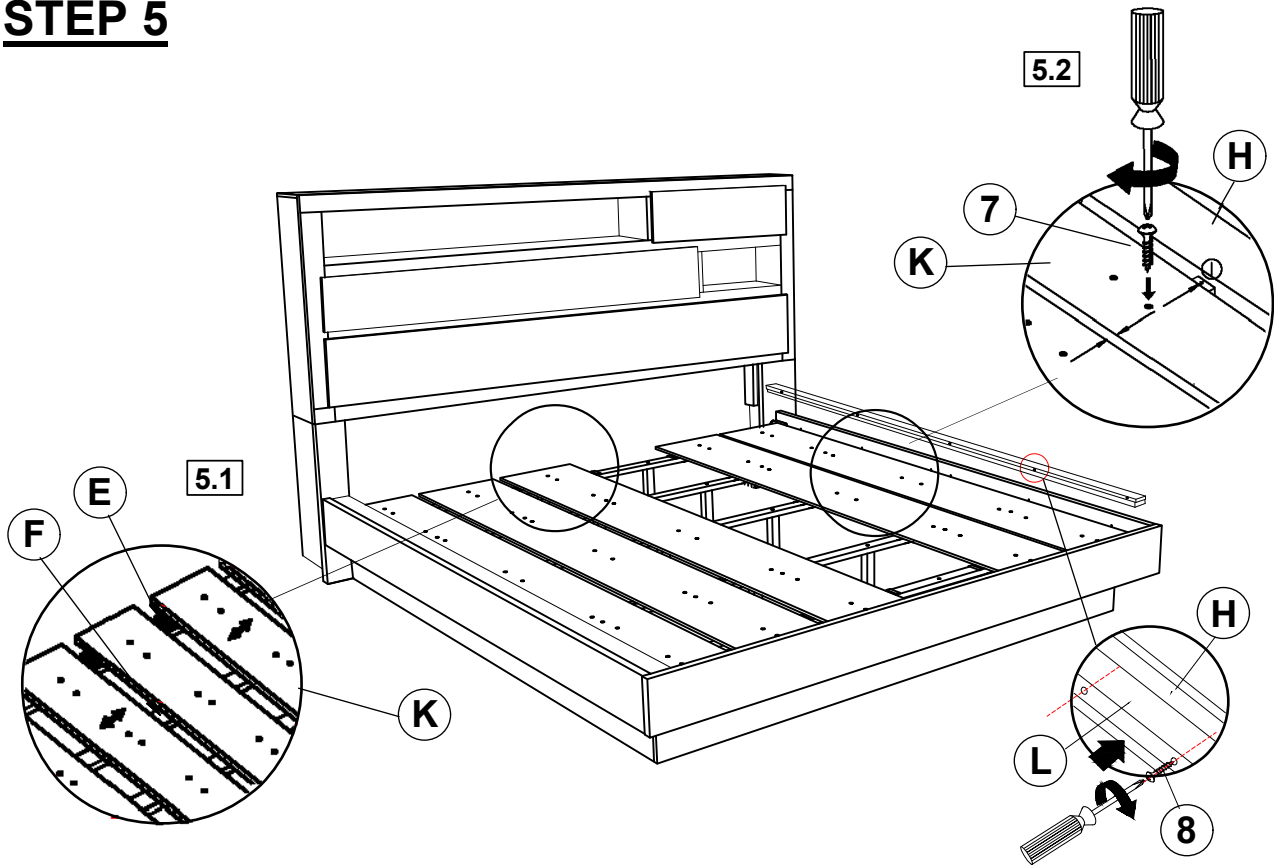


STEP 4

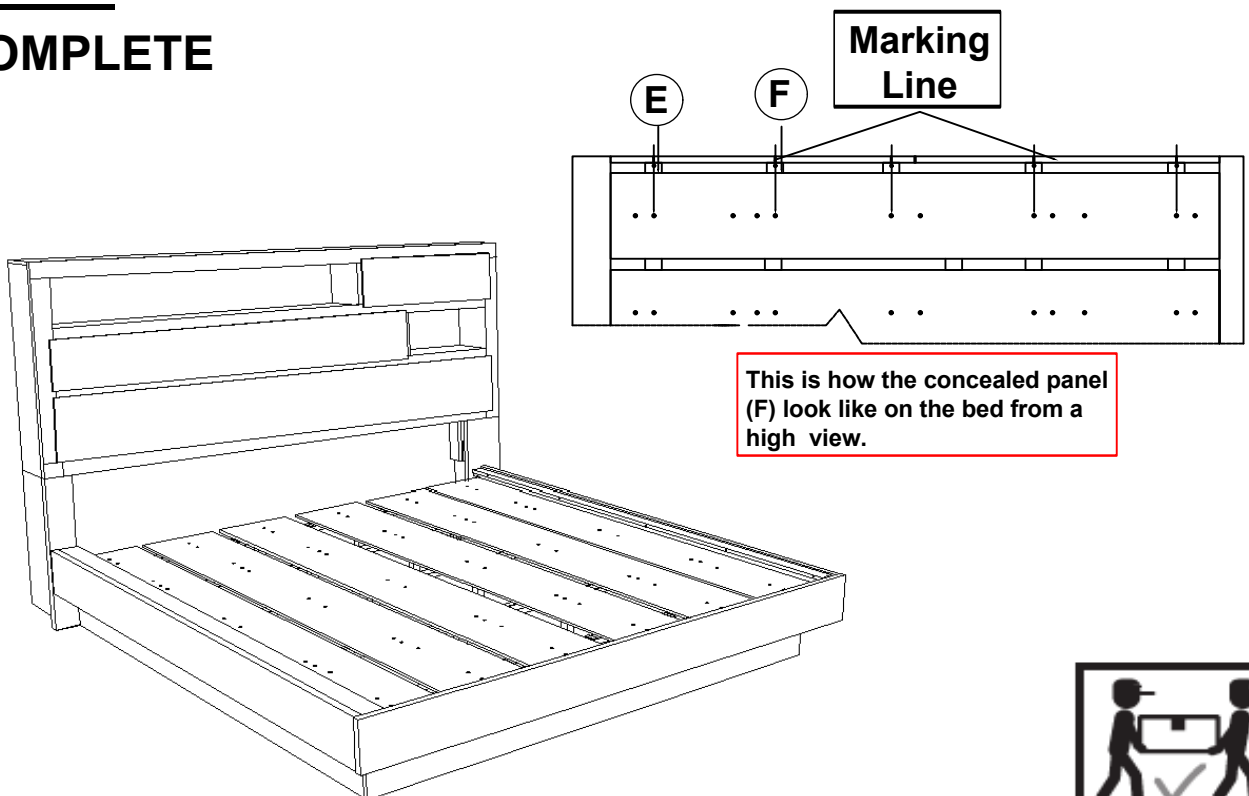


ASSEMBLY INSTRUCTIONS

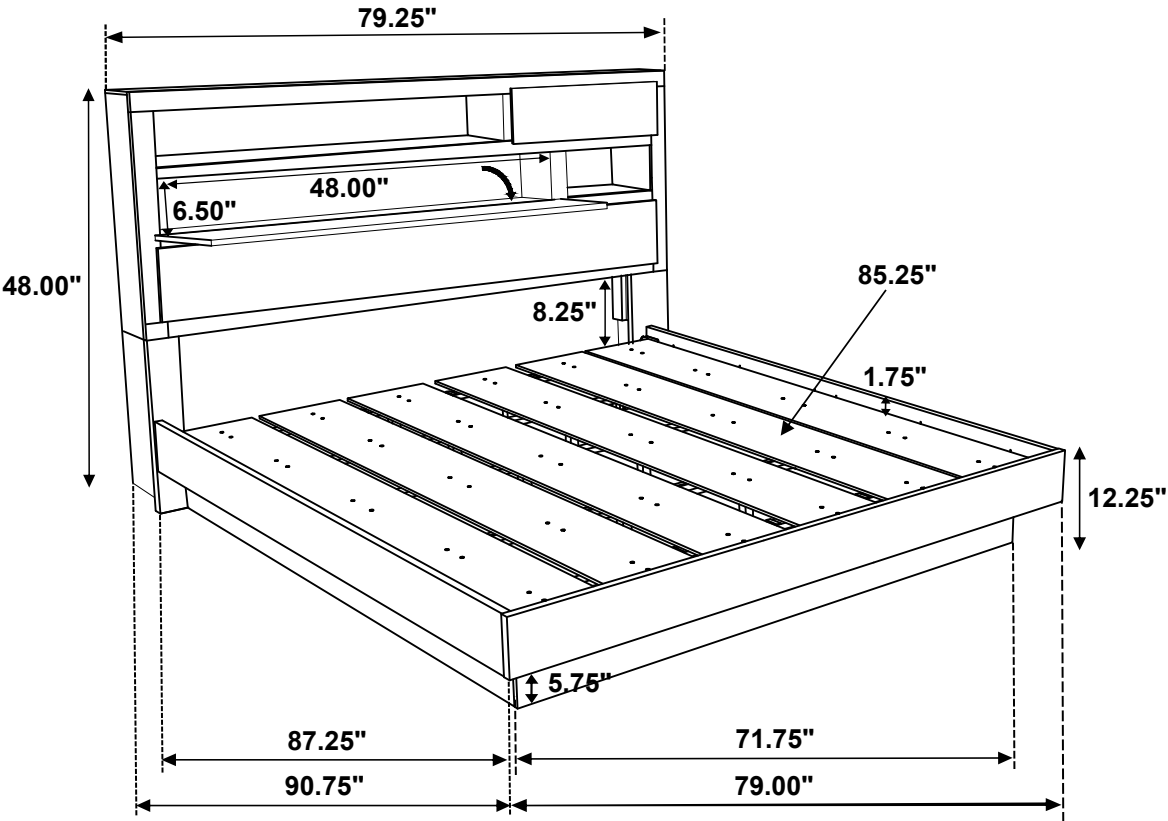
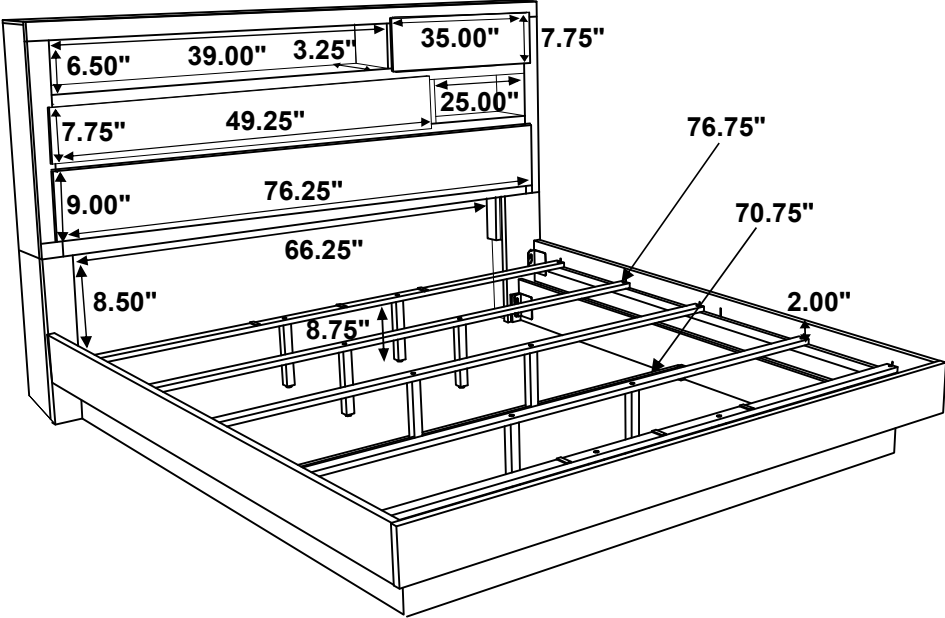
STEP 5



STEP 6 **COMPLETE**



Inner Size :77.00"W x 85.75"D



Note : Dimension tolerance $\pm 5\%$

ASSEMBLY INSTRUCTIONS



Fine Furniture for every stage of life

Nightstand

ASSEMBLY INSTRUCTIONS

ASSEMBLY TIPS:

1. Remove hardware from box and sort by size.
2. Please check to see that all hardware and parts are present prior to start of assembly.
3. Please follow attached instructions in the same sequence as numbered to assure fast & easy assembly.



WARNING!

1. Don't attempt to repair or modify parts that are broken or defective. Please contact the store immediately.
2. This product is for home use only and not intended for commercial establishments.



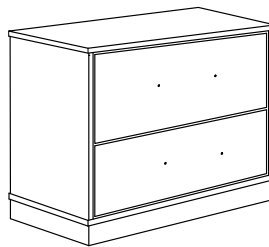
ASSEMBLY TIME

5 MINUTES

PARTS IDENTIFICATION

AF

NIGHTSTAND



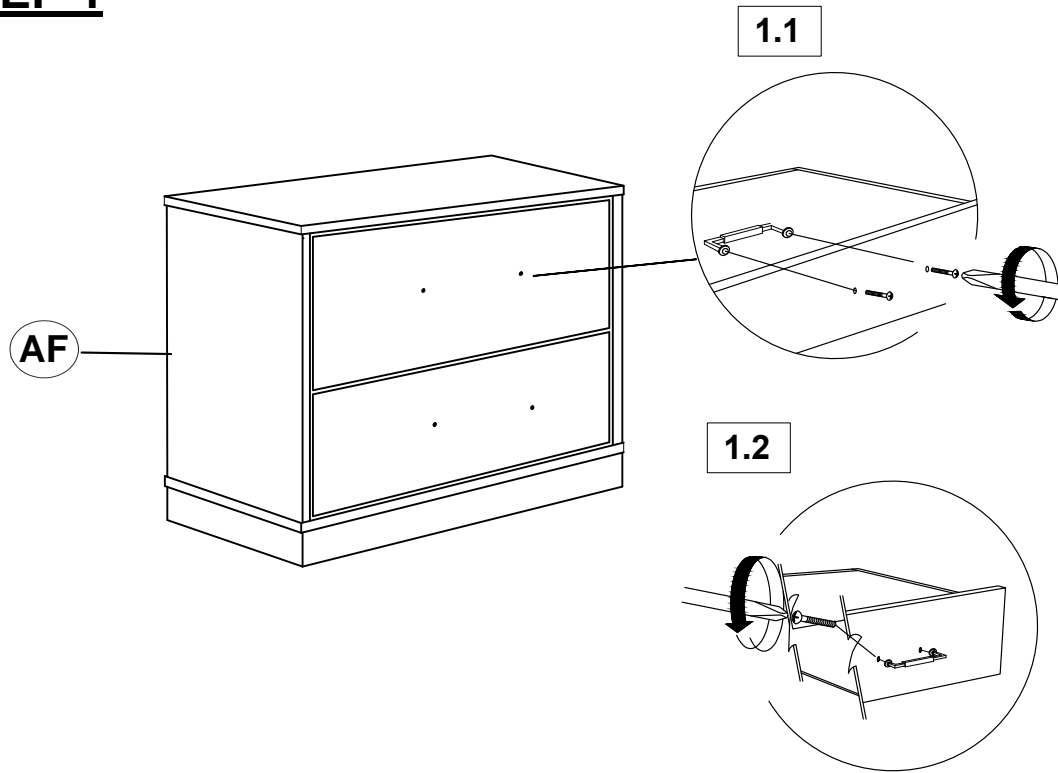
1PC

NOTE:

Phillips head screw driver is required in the assembly process; however, manufacturer does not provide this item.

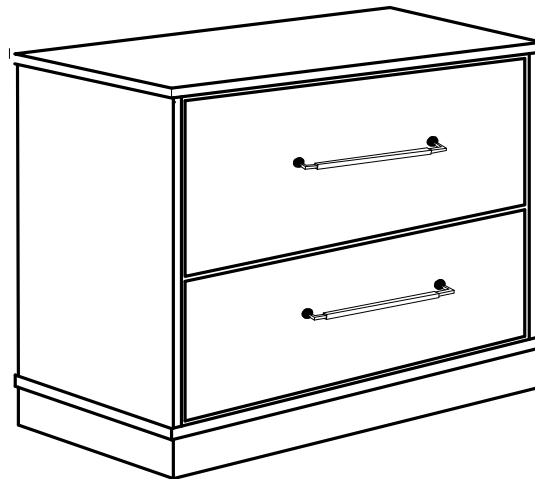
ASSEMBLY INSTRUCTIONS

STEP 1

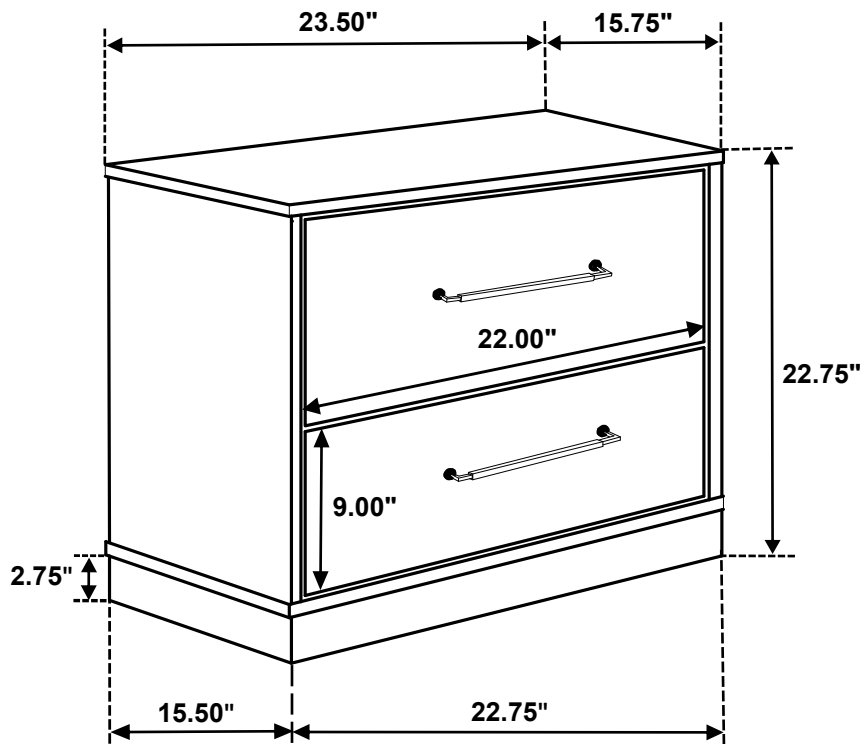


STEP 2

COMPLETE

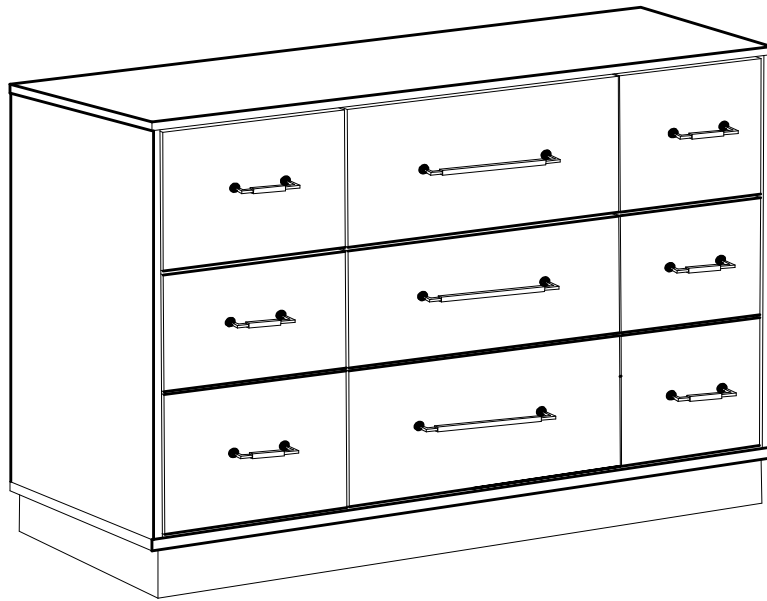


Inner Size of Drawer : 20.50"W x 11.25"D x 5.25"H x 0.25"T



Note : Dimension tolerance $\pm 5\%$

ASSEMBLY INSTRUCTIONS



Fine Furniture for every stage of life

Dresser

ASSEMBLY INSTRUCTIONS

ASSEMBLY TIPS:

1. Remove hardware from box and sort by size.
2. Please check to see that all hardware and parts are present prior to start of assembly.
3. Please follow attached instructions in the same sequence as numbered to assure fast & easy assembly.



WARNING!

1. Don't attempt to repair or modify parts that are broken or defective. Please contact the store immediately.
2. This product is for home use only and not intended for commercial establishments.



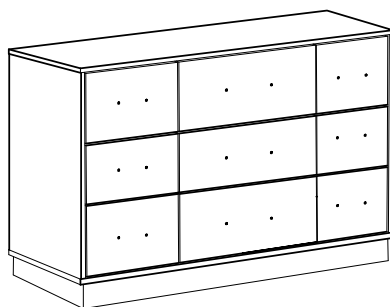
ASSEMBLY TIME

5 MINUTES

PARTS IDENTIFICATION

AF

DRESSER



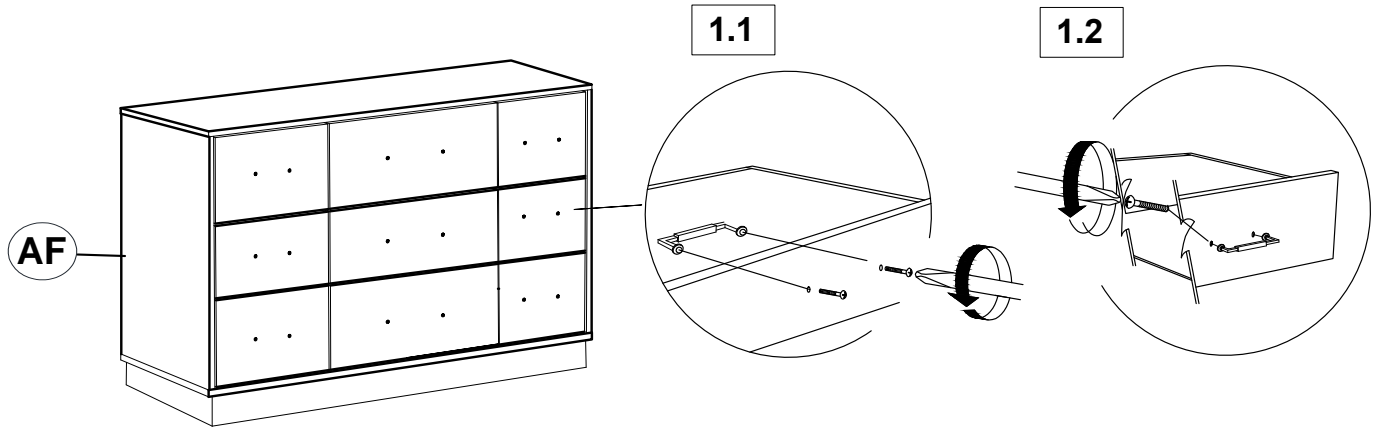
1PC

NOTE:

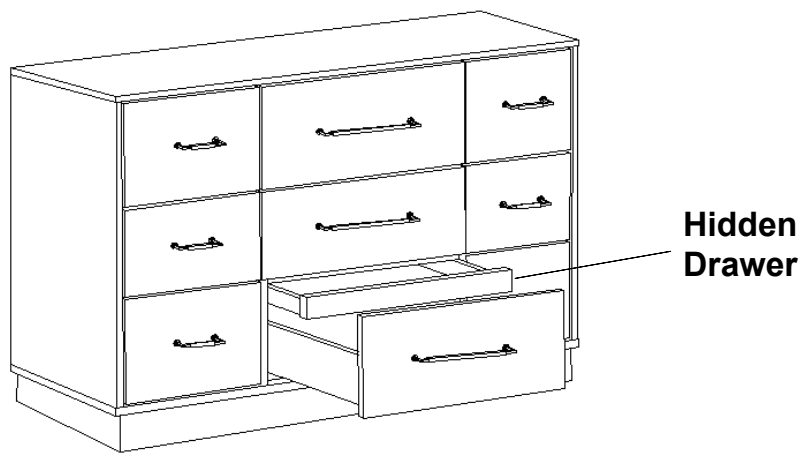
Phillips head screw driver is required in the assembly process; however, manufacturer does not provide this item.

ASSEMBLY INSTRUCTIONS

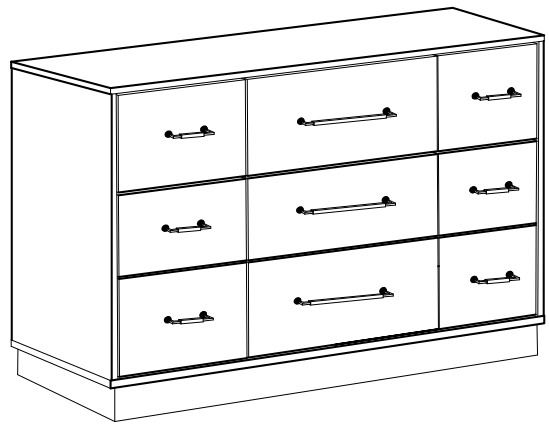
STEP 1



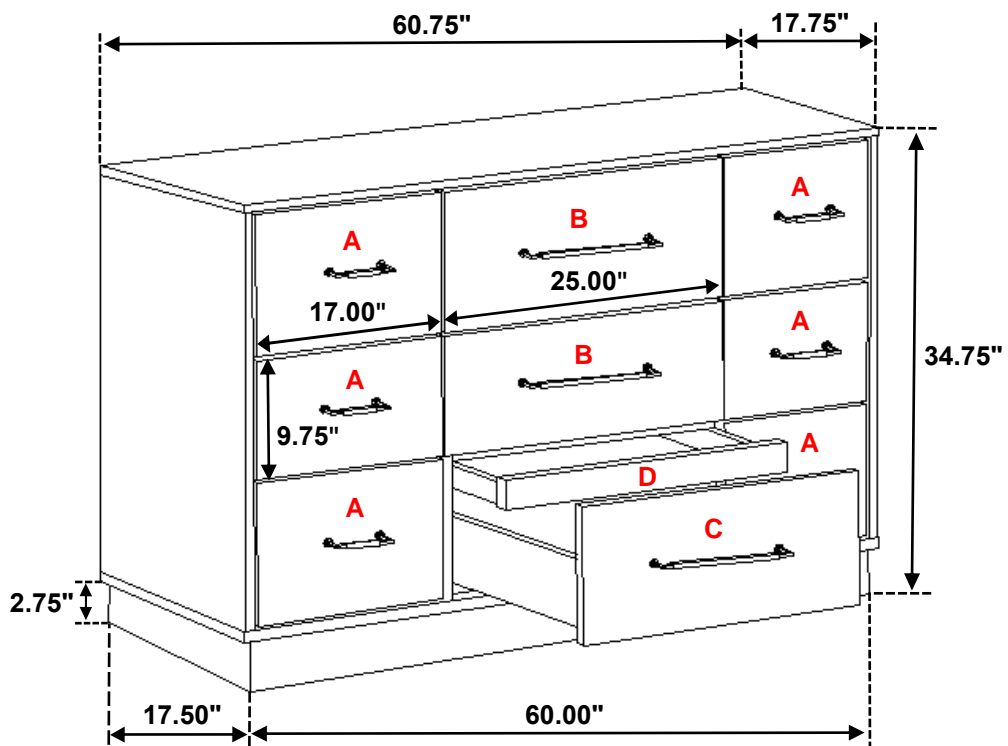
STEP 2



STEP 3 COMPLETE

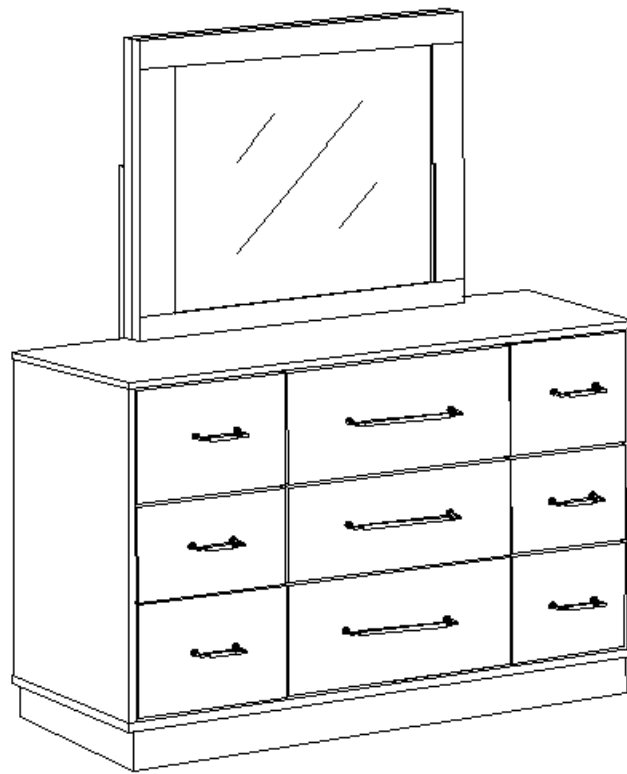


Inner Size of Drawer A : 15.25"W x 11.25"D x 6.25"H x 0.25"H
Inner Size of Drawer B : 22.75"W x 11.25"D x 6.25"H x 0.25"H
Inner Size of Drawer C : 22.75"W x 11.25"D x 4.00"H x 0.25"H
Inner Size of Drawer D : 22.50"W x 10.75"D x 1.75"H x 0.50"H



Note : Dimension tolerance $\pm 5\%$

ASSEMBLY INSTRUCTIONS



Fine Furniture for every stage of life

Mirror

ASSEMBLY INSTRUCTIONS

ASSEMBLY TIPS:

1. Remove hardware from box and sort by size.
2. Please check to see that all hardware and parts are present prior to start of assembly.
3. Please follow attached instructions in the same sequence as numbered to assure fast & easy assembly.



WARNING!

1. Don't attempt to repair or modify parts that are broken or defective. Please contact the store immediately.
2. This product is for home use only and not intended for commercial establishments.

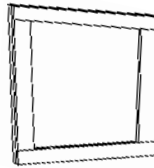


ASSEMBLY TIME

15 MINUTES

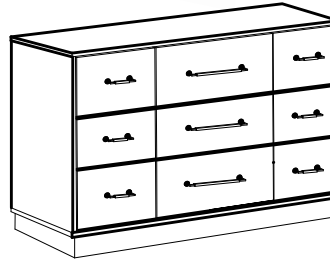
PARTS IDENTIFICATION

A MIRROR



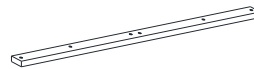
1PC

B DRESSER



1PC

C MIRROR SUPPORT
(PACKED WITH DRESSER)



2PCS

HARDWARE IDENTIFICATION

1 FLAT HEAD SCREW
(M4 x 32mm - RBW)



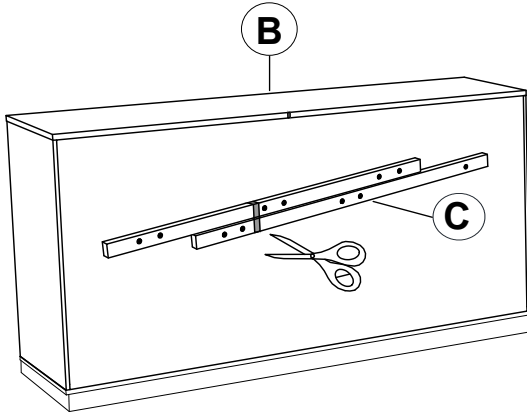
10PCS

NOTE:

Phillips head screw driver is required in the assembly process; however, manufacturer does not provide this item.

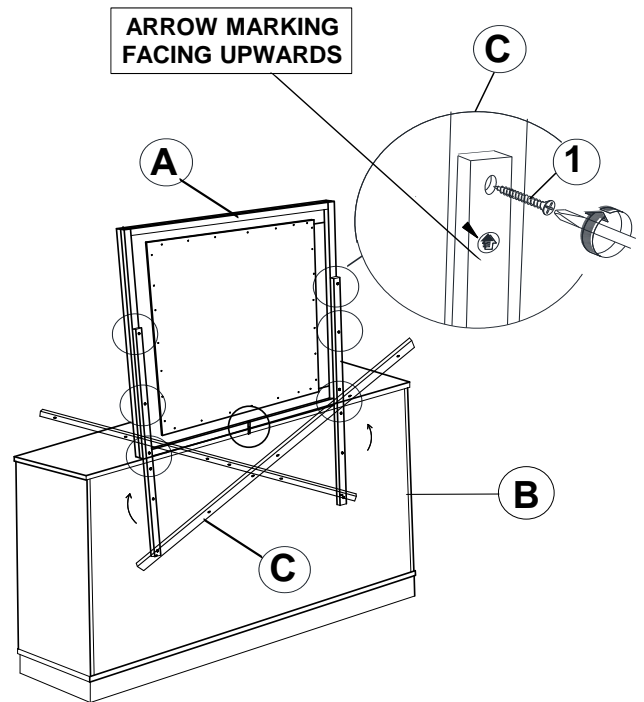
ASSEMBLY INSTRUCTIONS

STEP 1



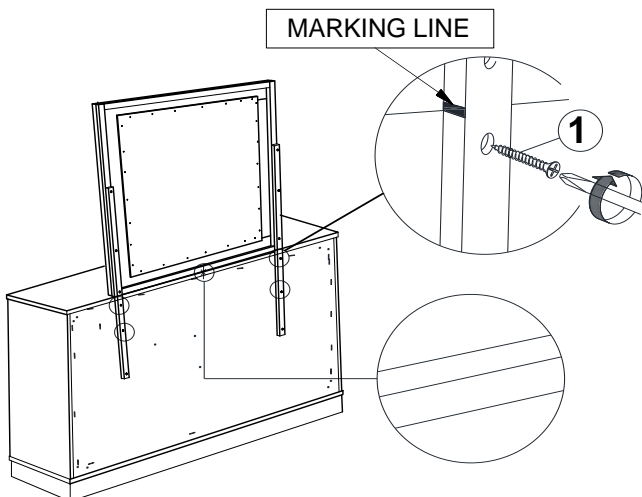
****BACK VIEW****

STEP 2



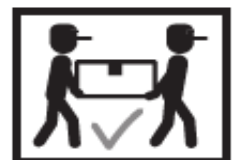
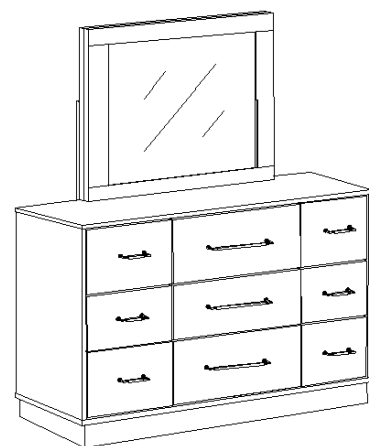
****BACK VIEW****

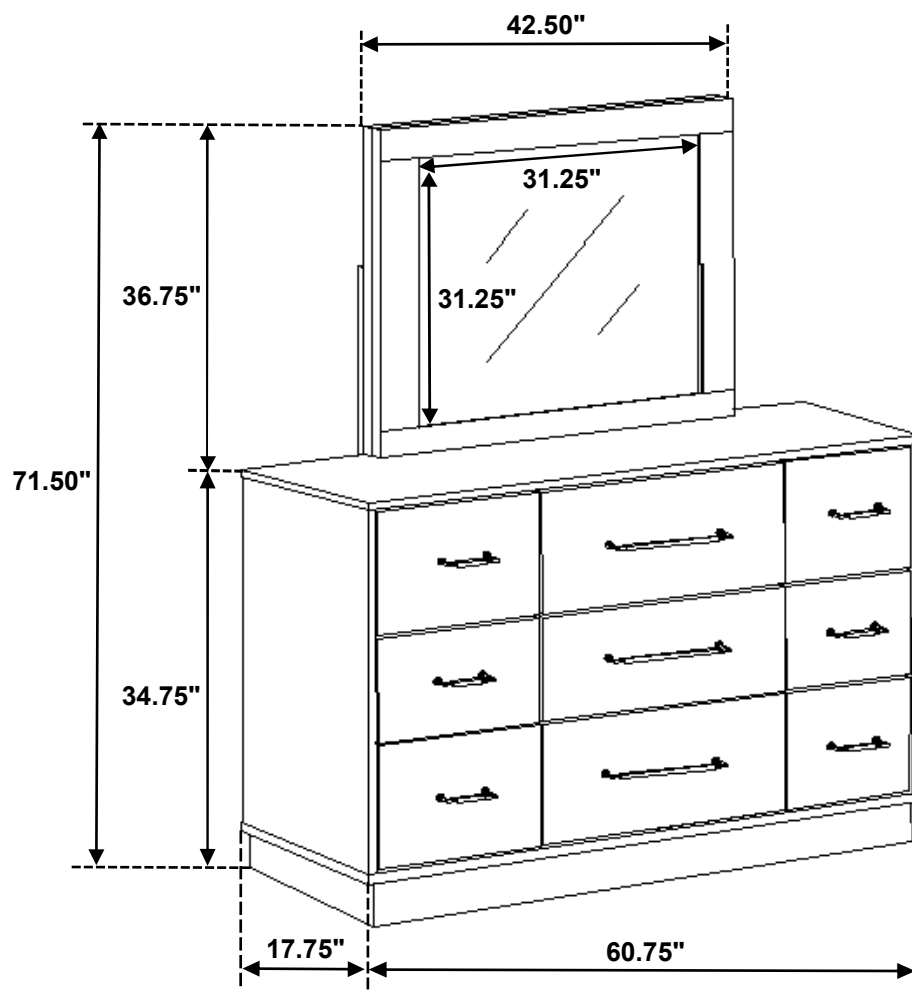
STEP 3



REMARK:
LINE MARKING MUST BE ALIGNED

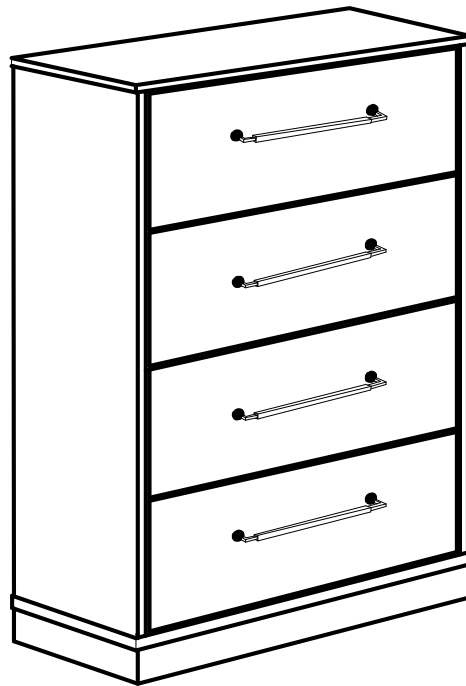
STEP 4 COMPLETE





Note : Dimension tolerance $\pm 5\%$

ASSEMBLY INSTRUCTIONS



Fine Furniture for every stage of life

Chest

ASSEMBLY INSTRUCTIONS

ASSEMBLY TIPS:

1. Remove hardware from box and sort by size.
2. Please check to see that all hardware and parts are present prior to start of assembly.
3. Please follow attached instructions in the same sequence as numbered to assure fast & easy assembly.



WARNING!

1. Don't attempt to repair or modify parts that are broken or defective. Please contact the store immediately.
2. This product is for home use only and not intended for commercial establishments.



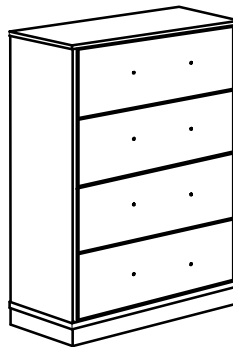
ASSEMBLY TIME

5 MINUTES

PARTS IDENTIFICATION

AF

CHEST



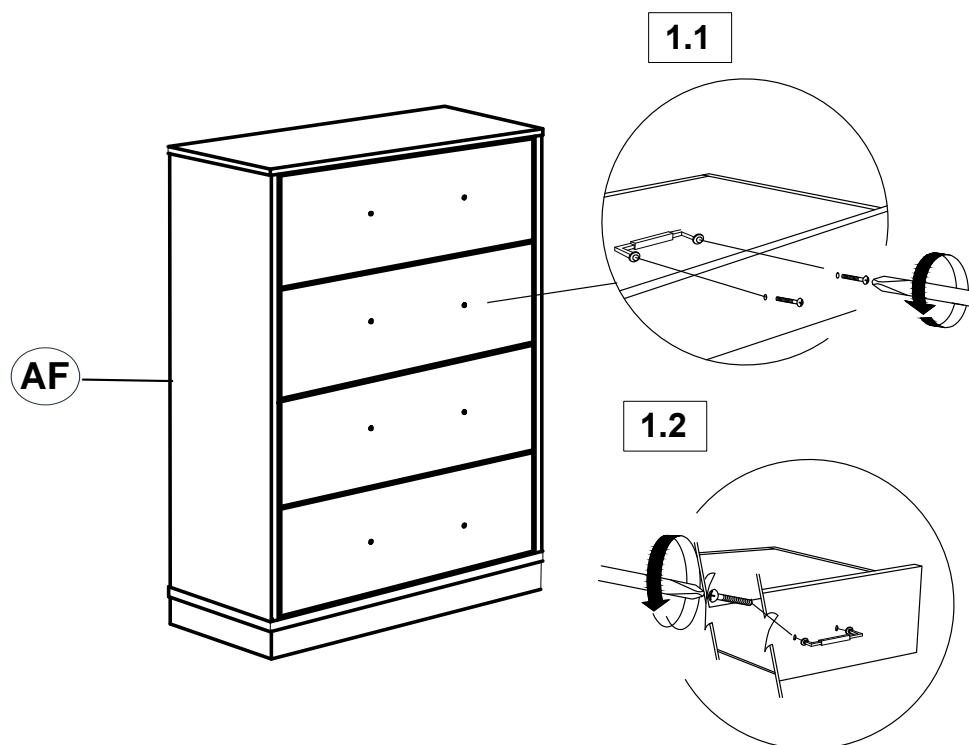
1PC

NOTE:

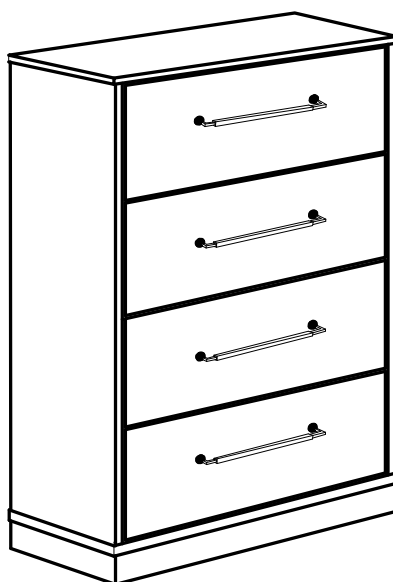
Phillips head screw driver is required in the assembly process; however, manufacturer does not provide this item.

ASSEMBLY INSTRUCTIONS

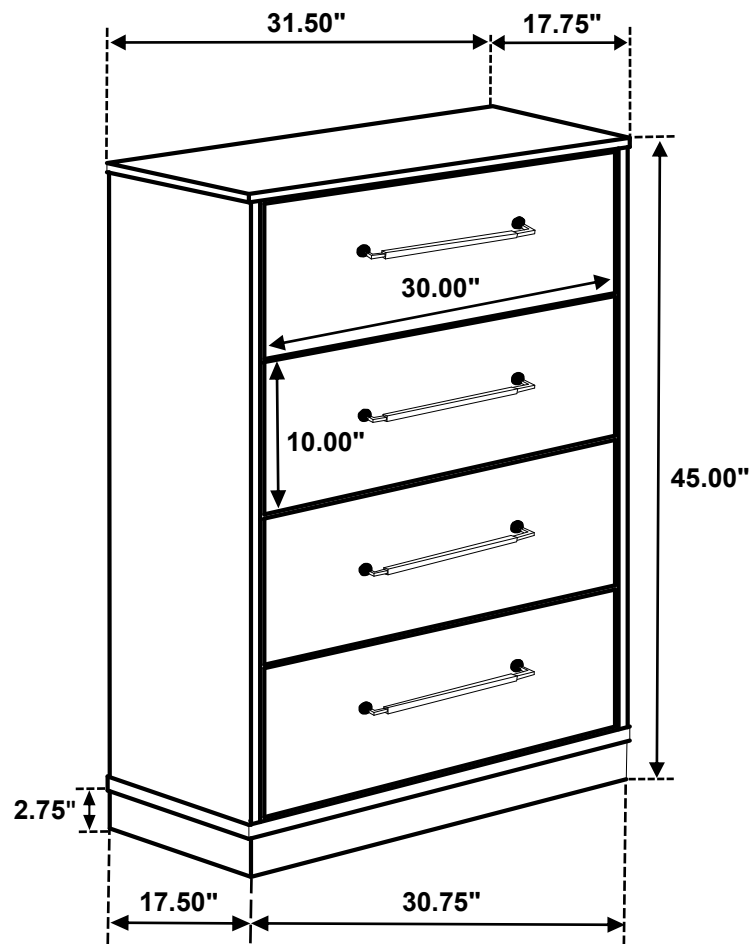
STEP 1



STEP 2 COMPLETE



Inner Size of Drawer : 28.50"W x 11.00"D x 10.50"H x 0.25"T



Note : Dimension tolerance $\pm 5\%$