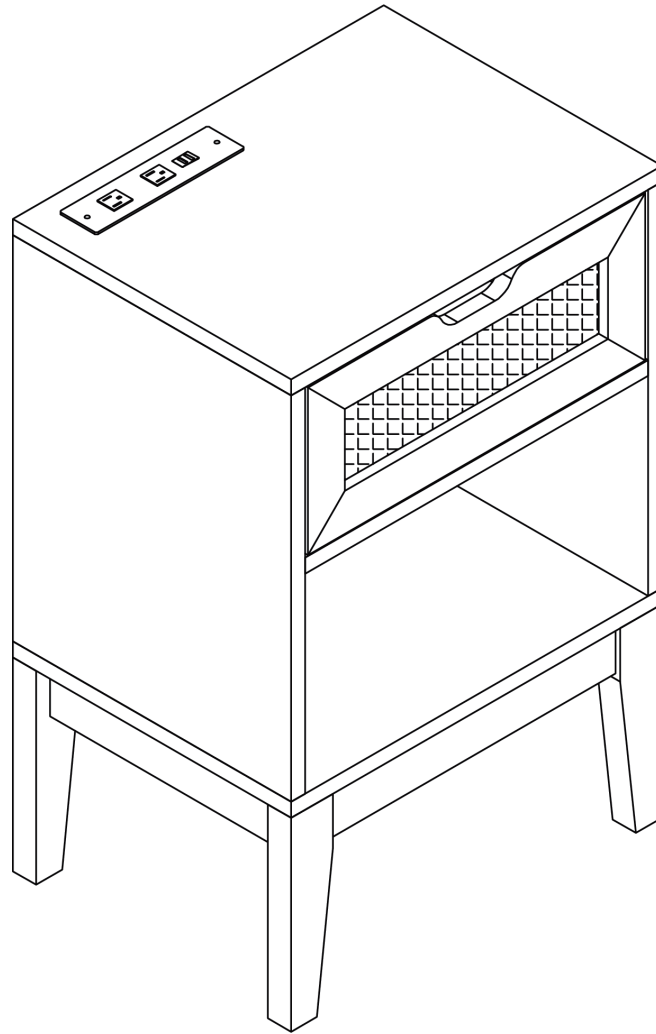


Accent Table



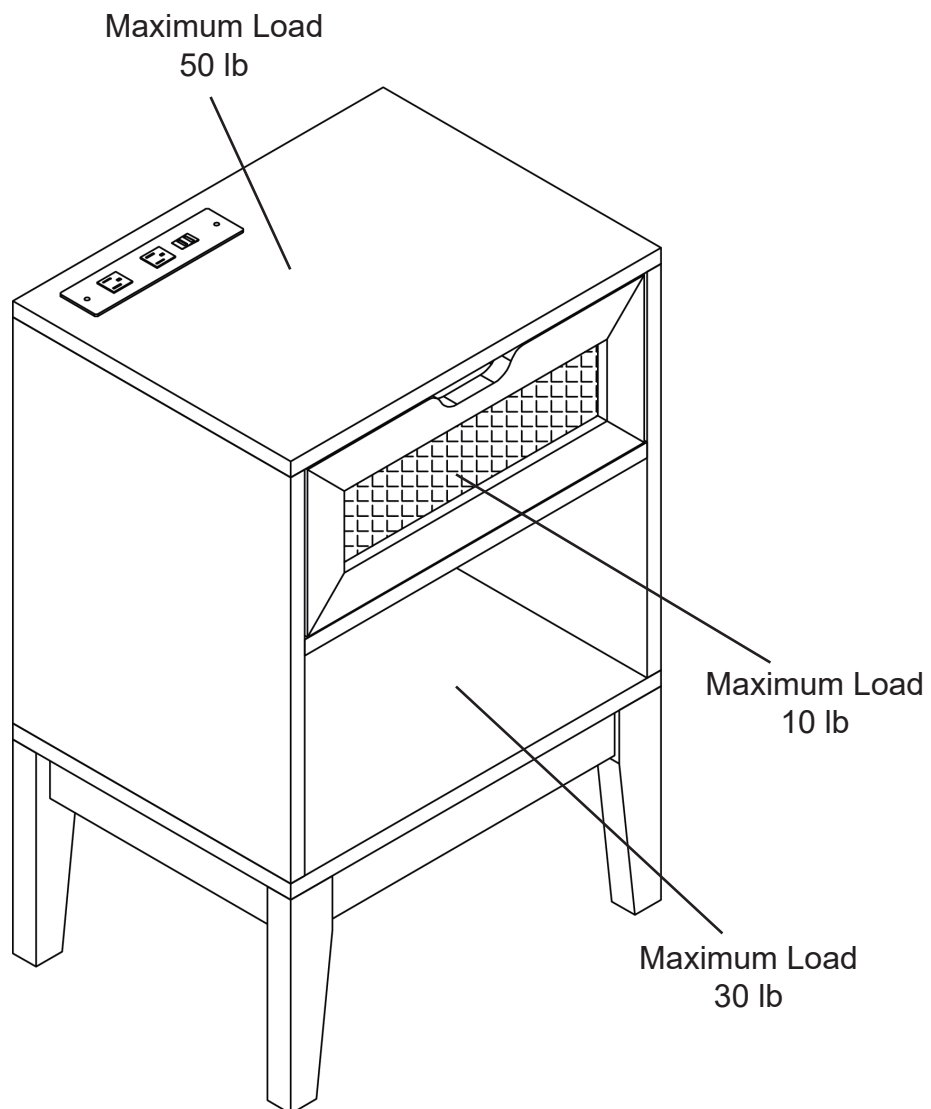


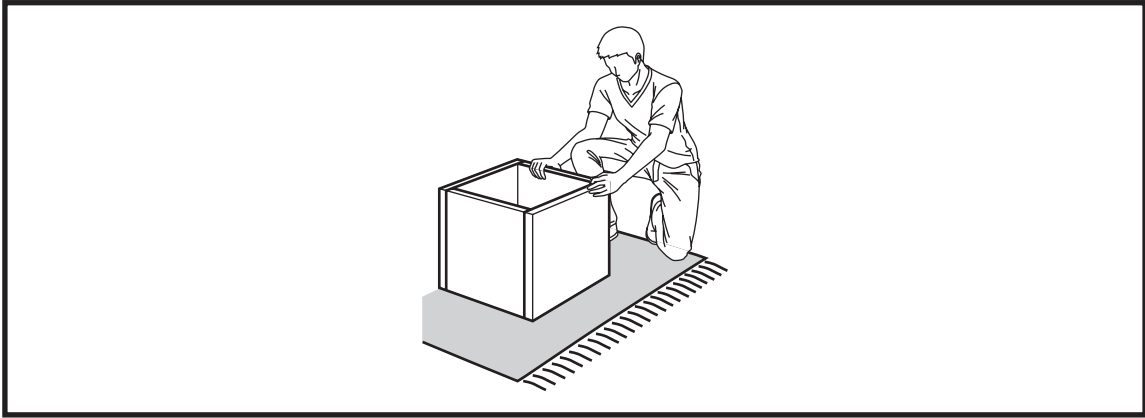
Estimated time for assembly:

120 mins



Weight limitations are as follows:

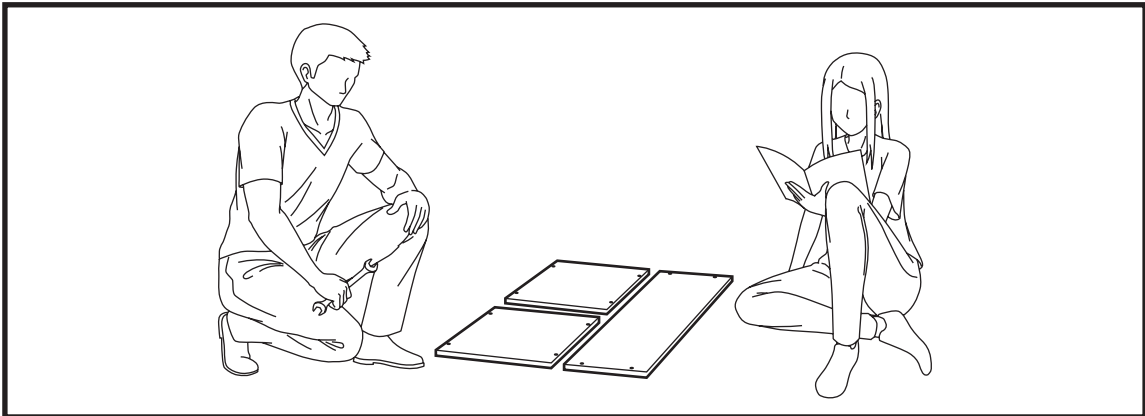




Assemble the furniture on an empty carton, carpet, or rug to prevent scratches or damage.

For safety, please keep pets and children away from the assembly area.

Ensure the product is fully assembled before use. If you are missing any hardware or products, do not use it until you have restored the missing parts.



This furniture requires 2 people for assembly.

Read this instruction manual prior to assembly to familiarize yourself with the various steps.

Lay out all components and hardware separately on a flat surface and make sure that no parts are missing or damaged before assembly. Do not destroy or discard any packaging until you are certain that you have all the necessary parts for assembly.

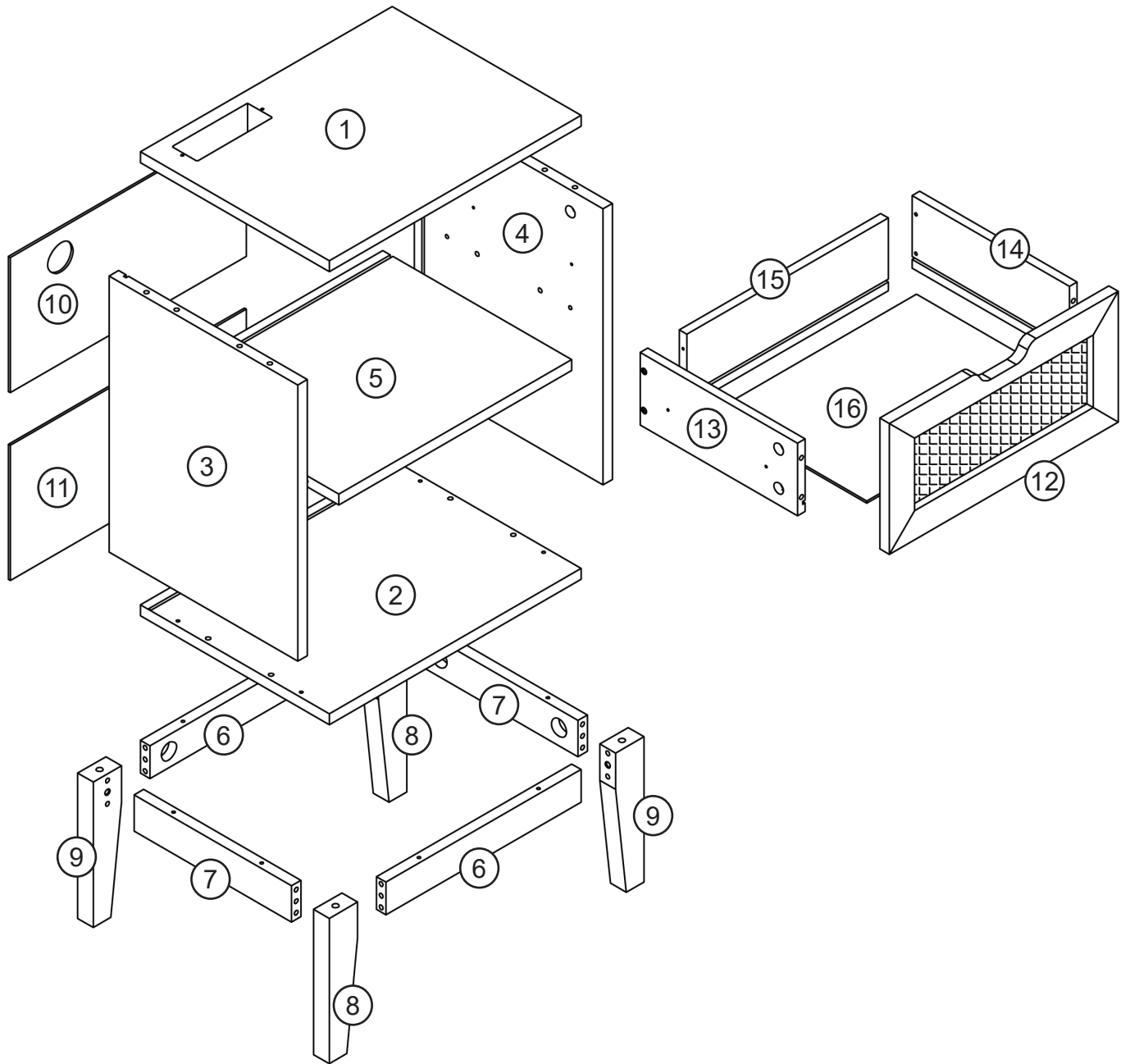
Hand tight all hardware and careful not to over tighten to avoid damaging the product.

CAUTION

There are small components used in the construction of this product. Loose items should be kept away from pets and children to avoid a choking hazard.

Keep all plastic bags and packaging film away from pets and children to avoid suffocation.

PACKAGE CONTENTS



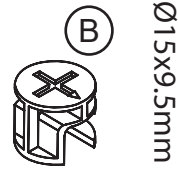
PACKAGE CONTENTS

CODE	DESCRIPTION	QTY
1	Top Panel	2
2	Bottom Panel	2
3	Left Panel	2
4	Right Panel	2
5	Storage Panel	2
6	Long Base Panel	4
7	Short Base Panel	4
8	Leg	4
9	Leg	4
10	Upper Back Panel	2
11	Lower Back Panel	2
12	Drawer Front Panel	2
13	Drawer Left Panel	2
14	Drawer Right Panel	2
15	Drawer Back Panel	2
16	Drawer Bottom Panel	2

PACKAGE CONTENTS



24x + 2x



24x + 2x



56x + 4x



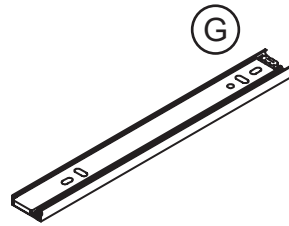
16x+1x



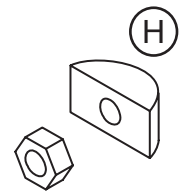
20x+2x



16x+1x



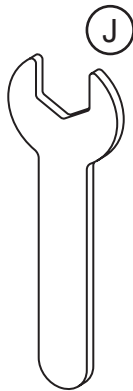
4x



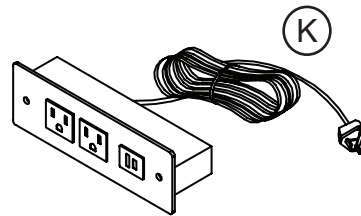
16x+1x



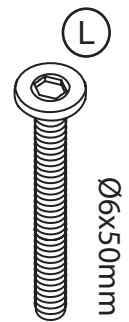
8x



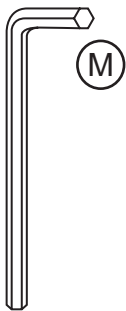
1x



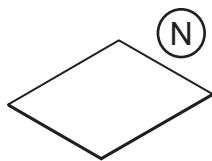
2x



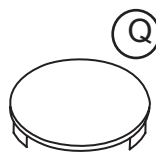
16x+1x



1x



8x



16x+1x



8x



8x

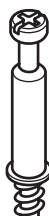


Install all hardware perpendicular to the opening.

Required tools for assembly (Not included)



1

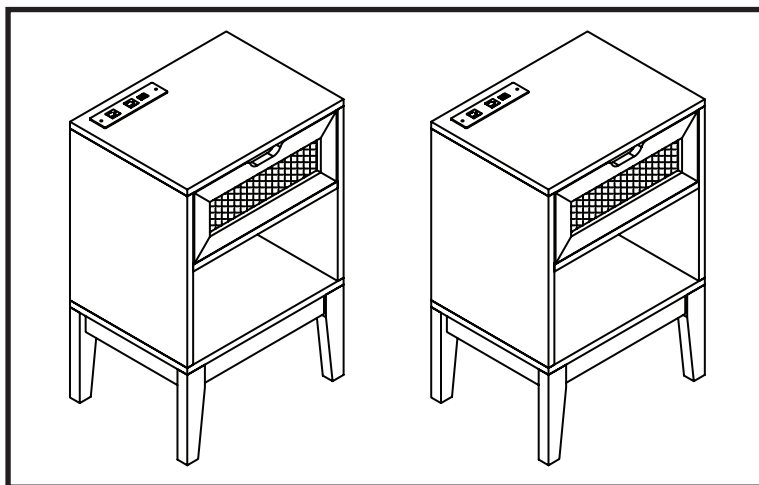


Ø6x35mm

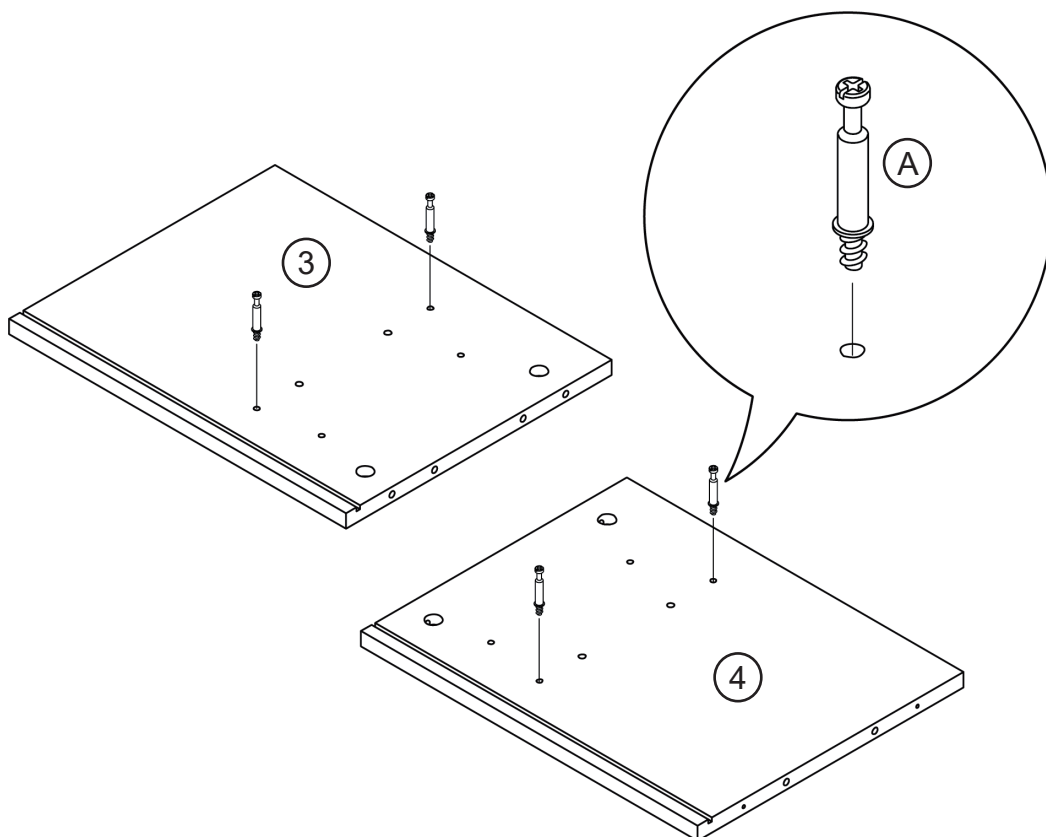
(A)

4x

Attach cam bolts to the side panels (3, 4).

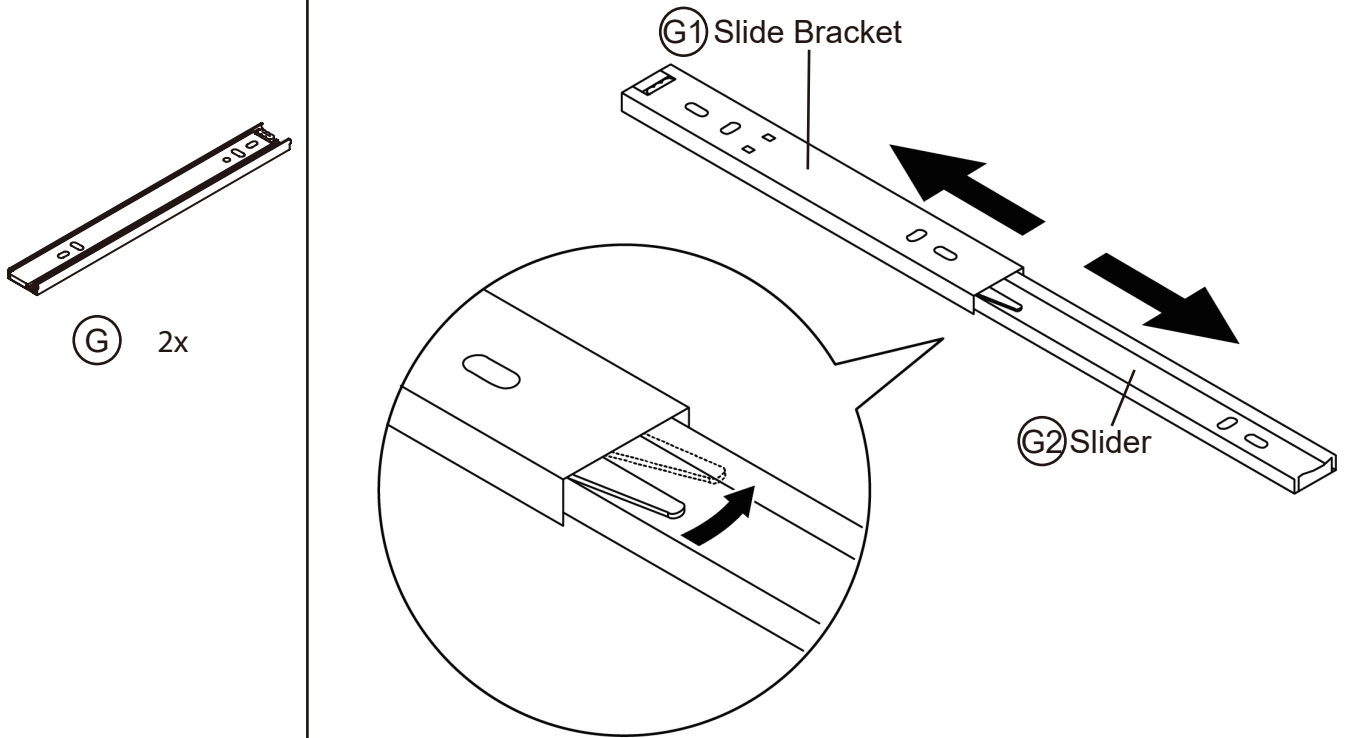


Assemble 2 tables in total.



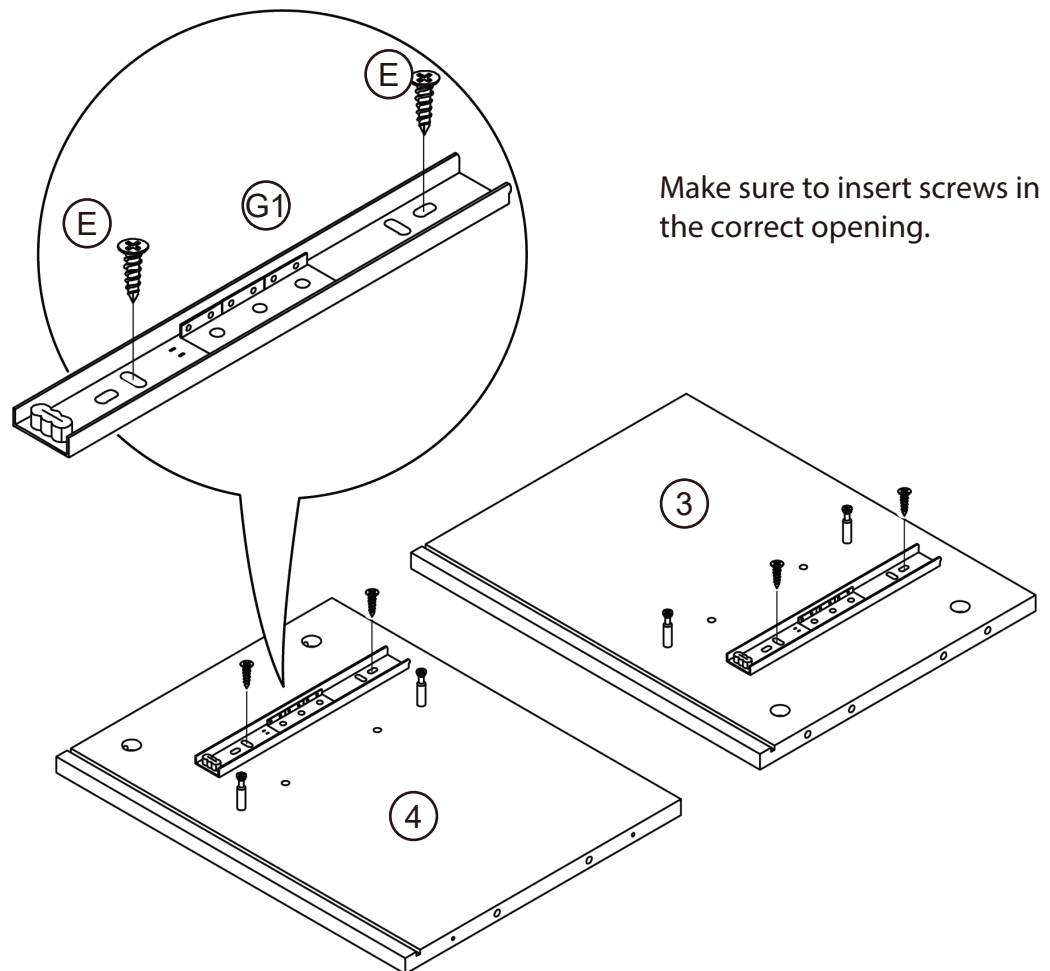
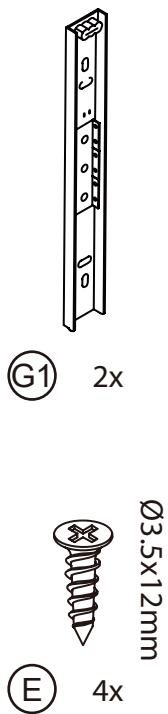
2

Detach the drawer slider (G2) from the slide bracket (G).



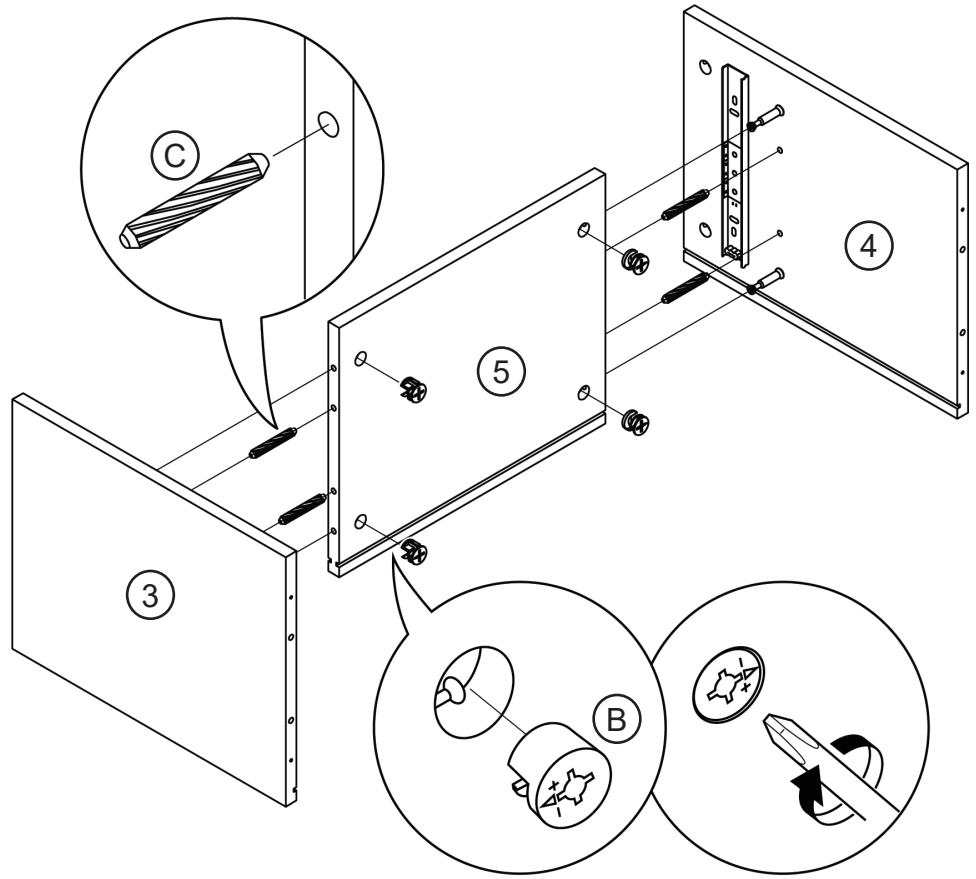
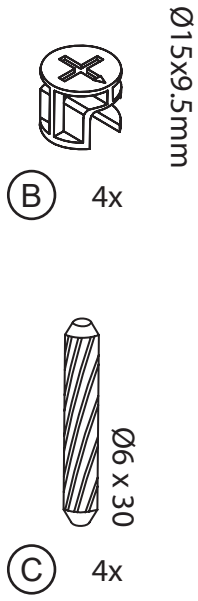
3

Attach the slide brackets onto the side panels (3, 4).



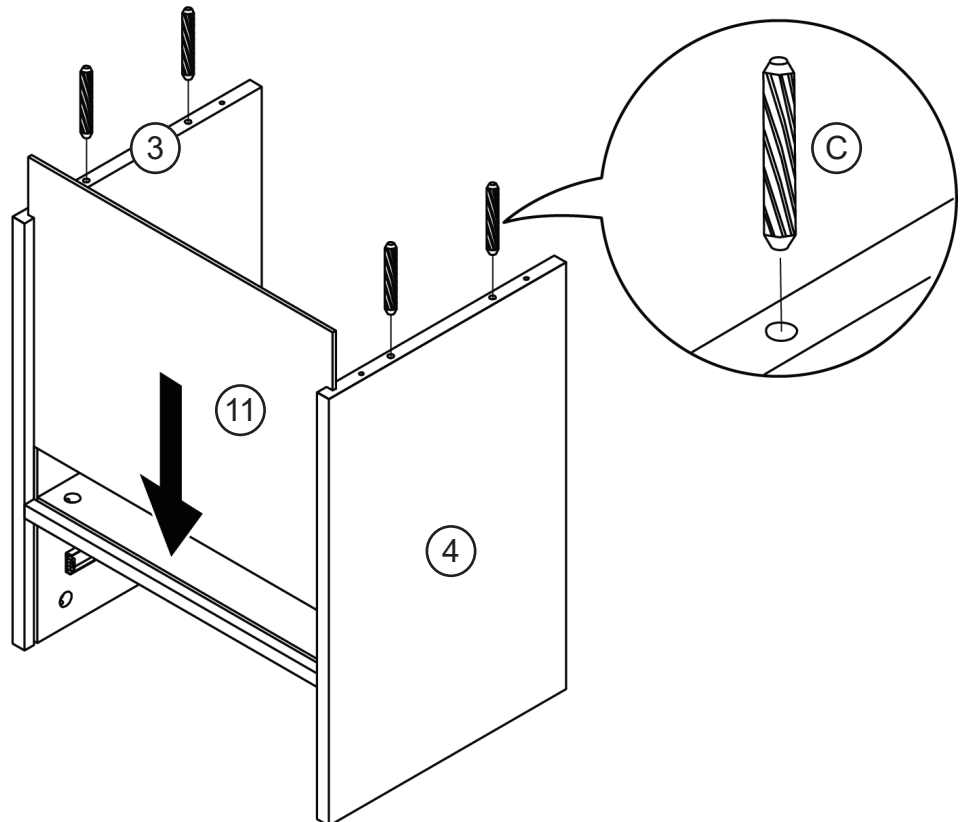
4

Assemble the storage panel (5) between the side panels (3, 4).



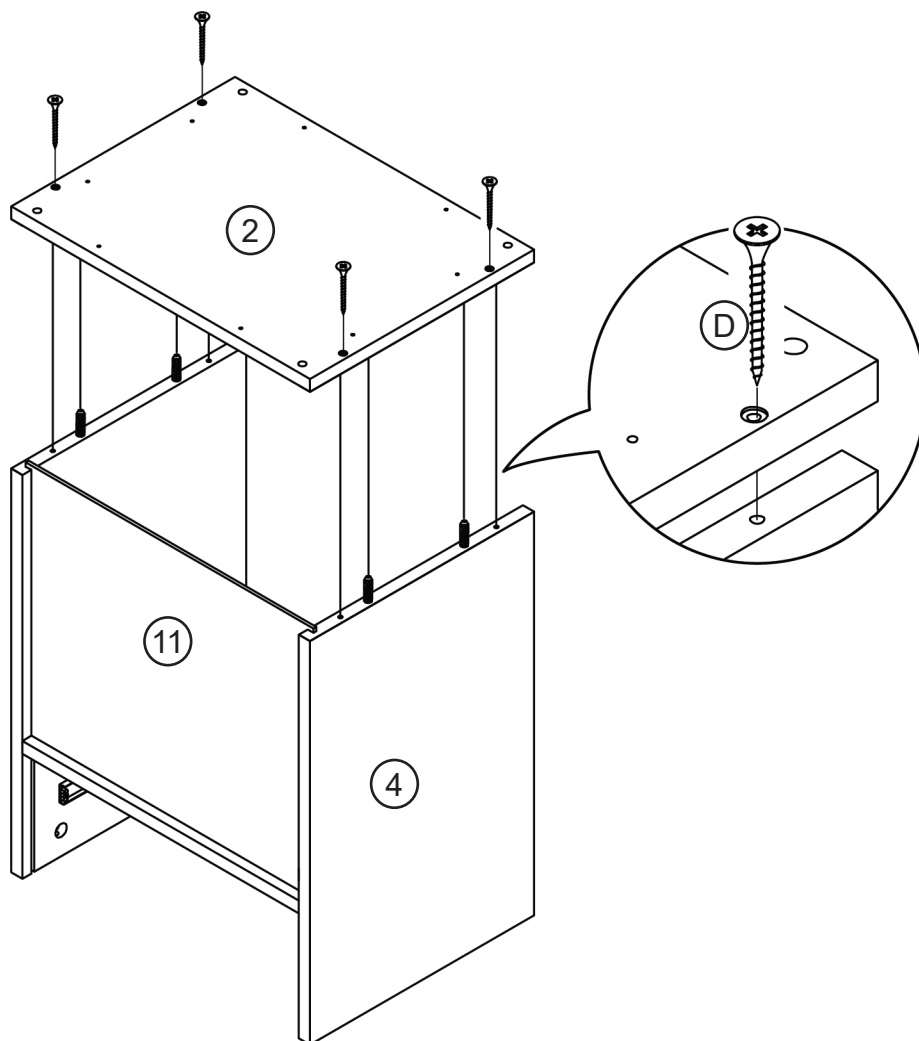
5

Slide in the lower back panel (11) between the side panels (3, 4).



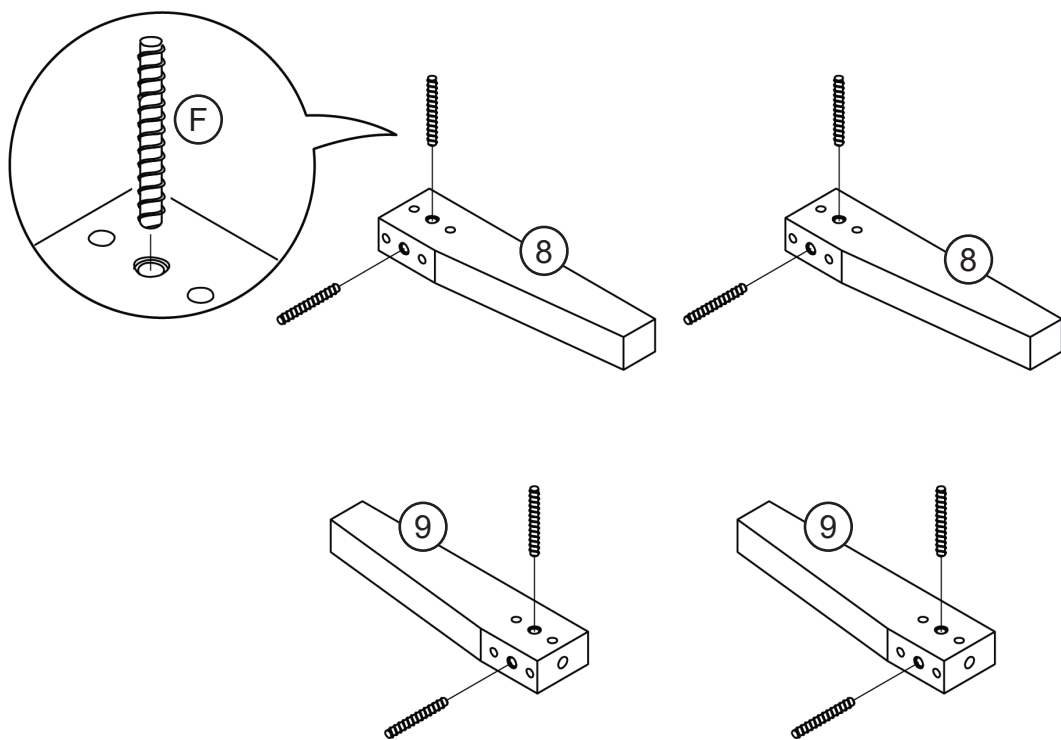
6

Assemble the bottom panel (2) to the side panels.



7

Attach stud bolts to the legs (8, 9).



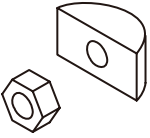
8

Attach short base panel (7) between the legs (8, 9).
Then attach protective pads to the legs.

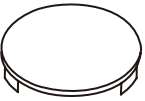


Ø6x30mm

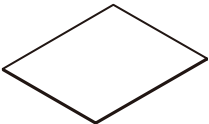
(C) 8x



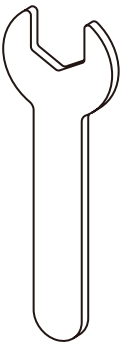
(H) 4x



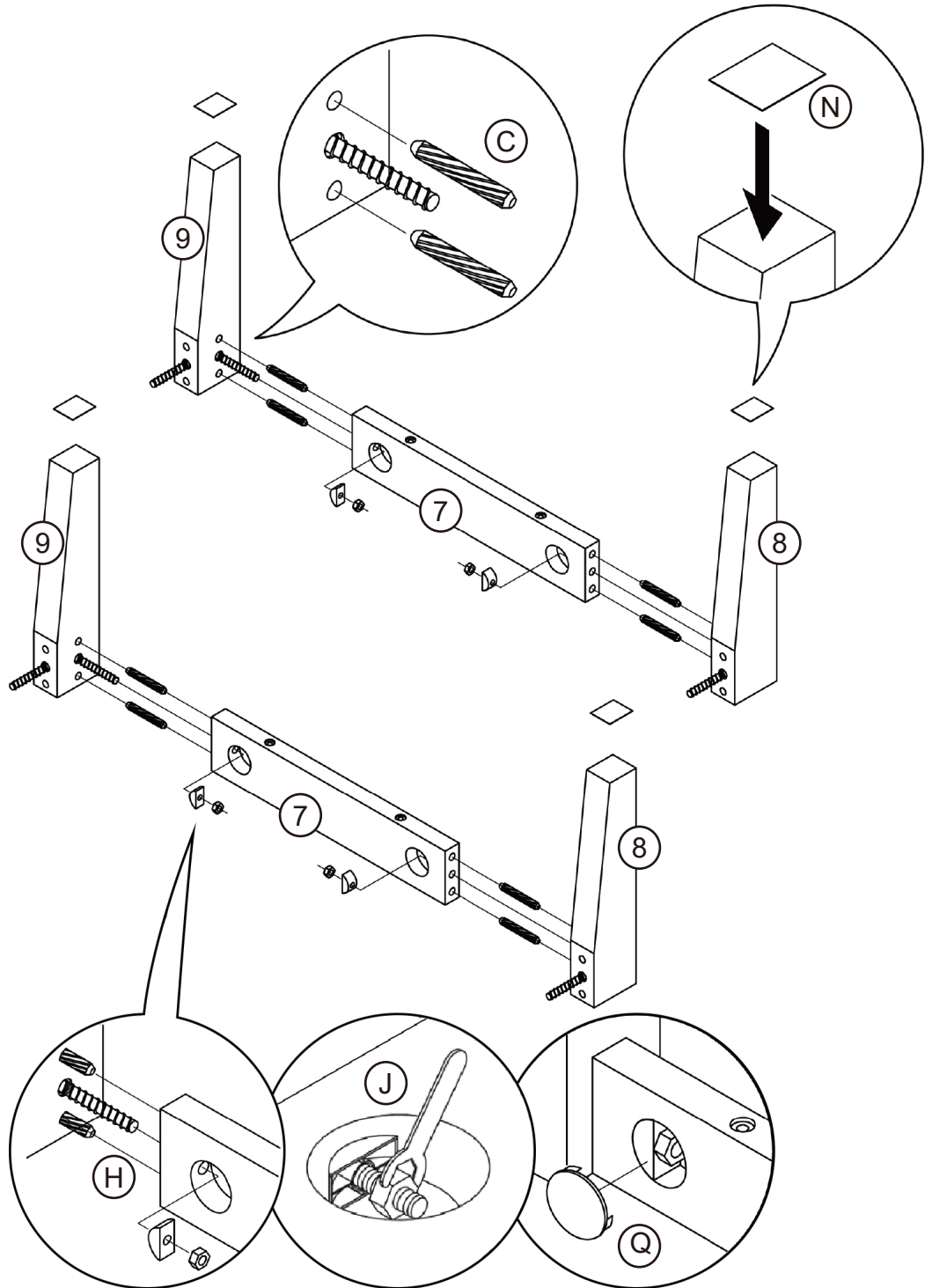
(Q) 4x



(N) 4x



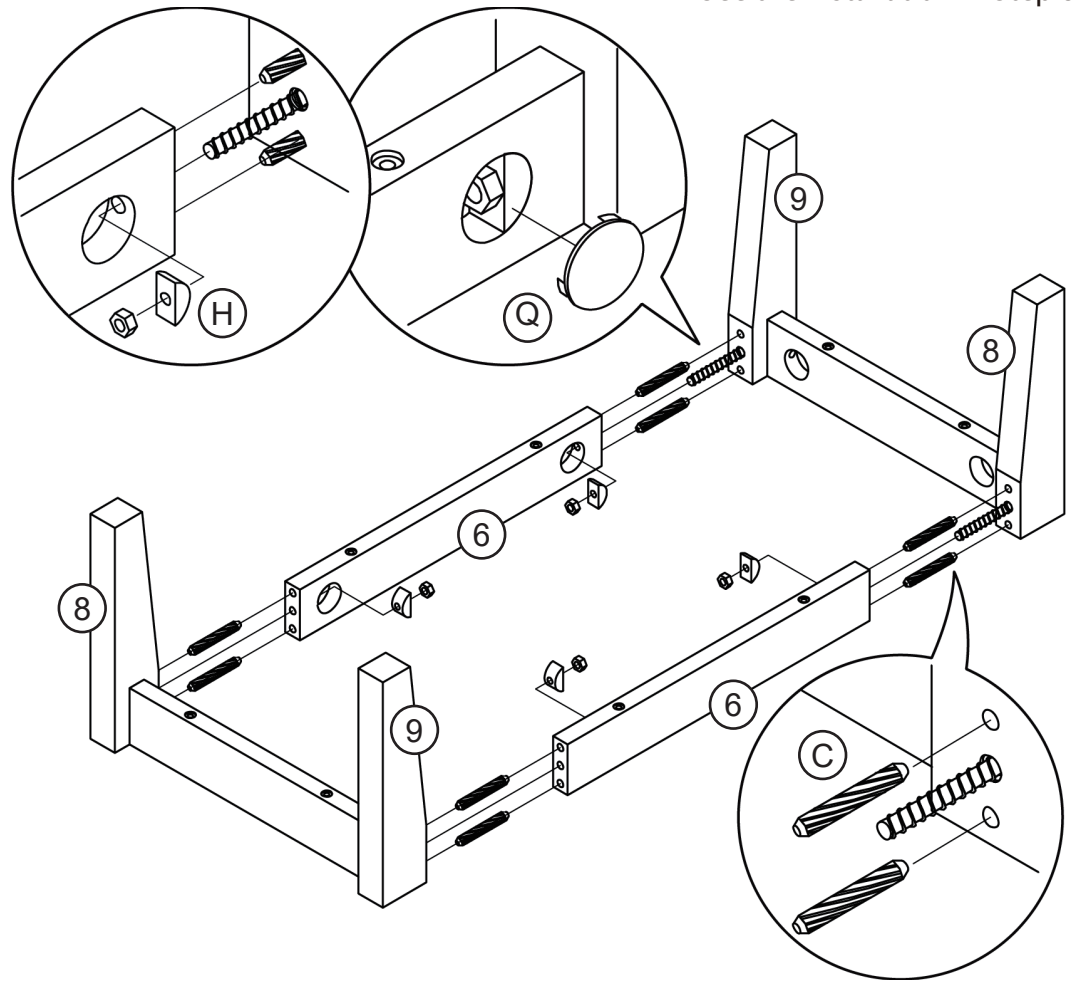
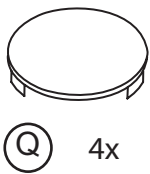
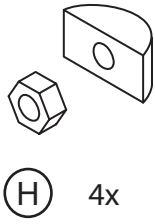
(J) 1x



9

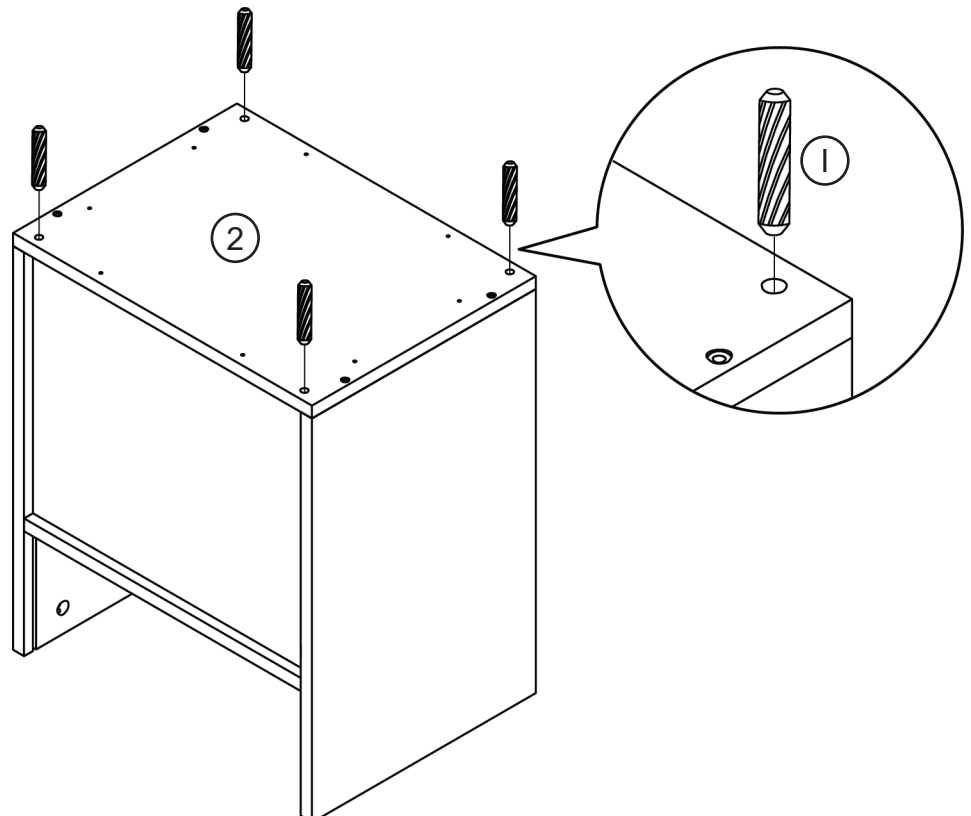
Assemble the long base panels (6) between the leg assemblies.

See the installation in Step 8



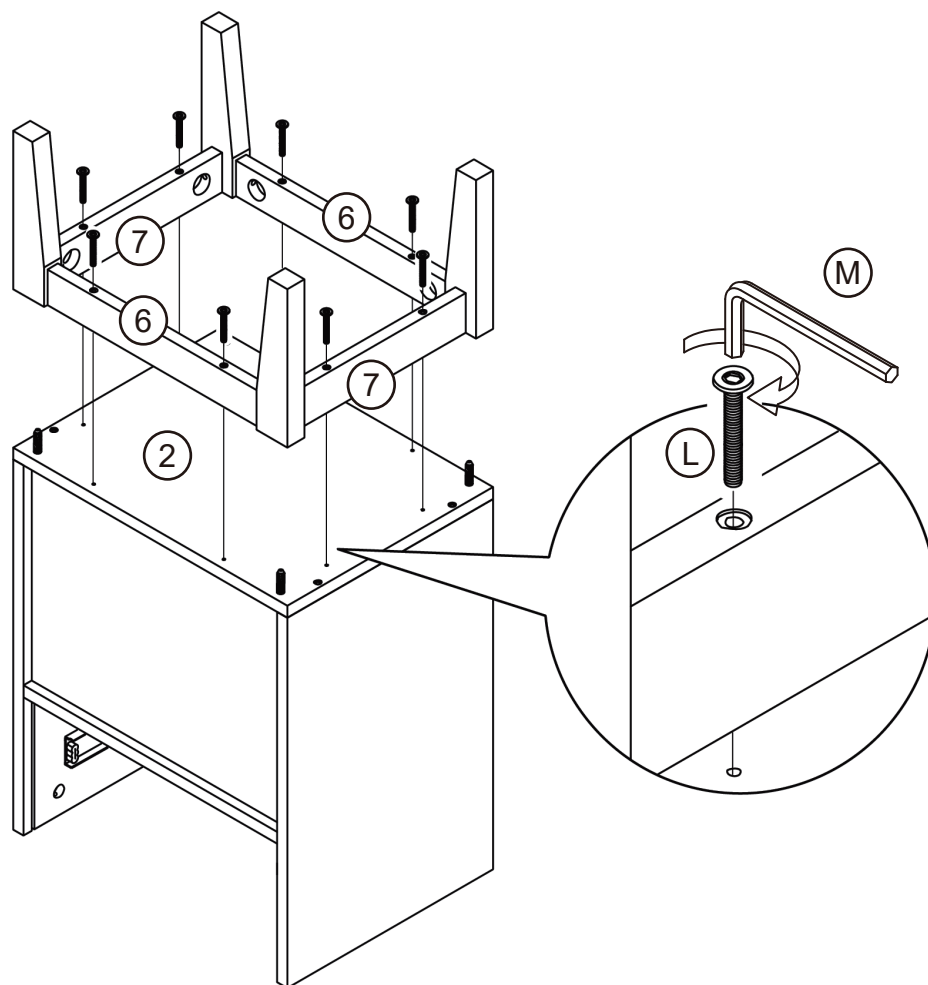
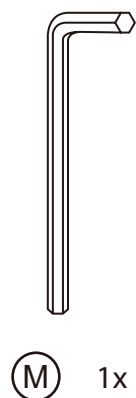
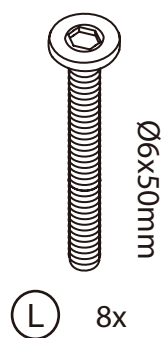
10

Insert large wood dowels to the bottom panel (2).



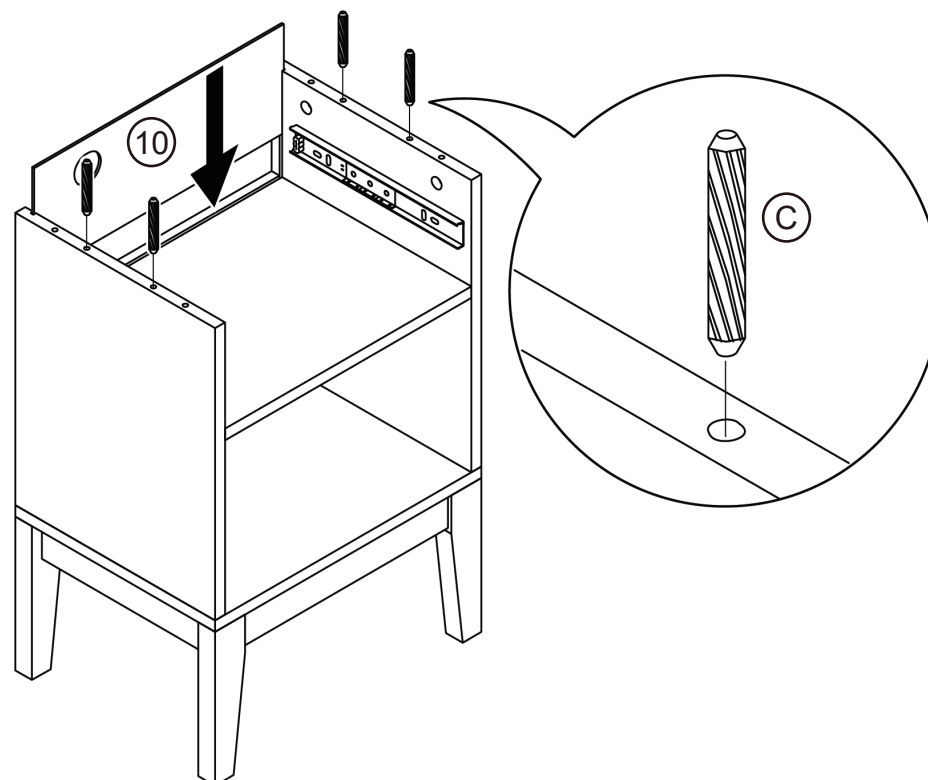
11

Assemble the base to the bottom panel.



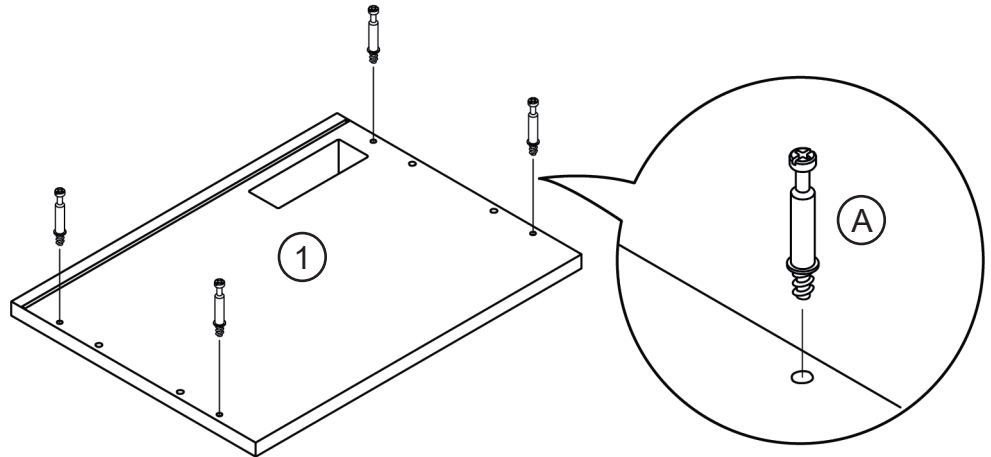
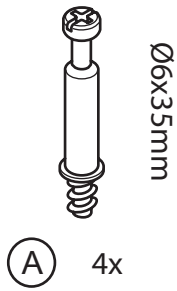
12

Put the table assembly on its upright position. Slide in the upper back panel (10) and insert wood dowels to the side panels.



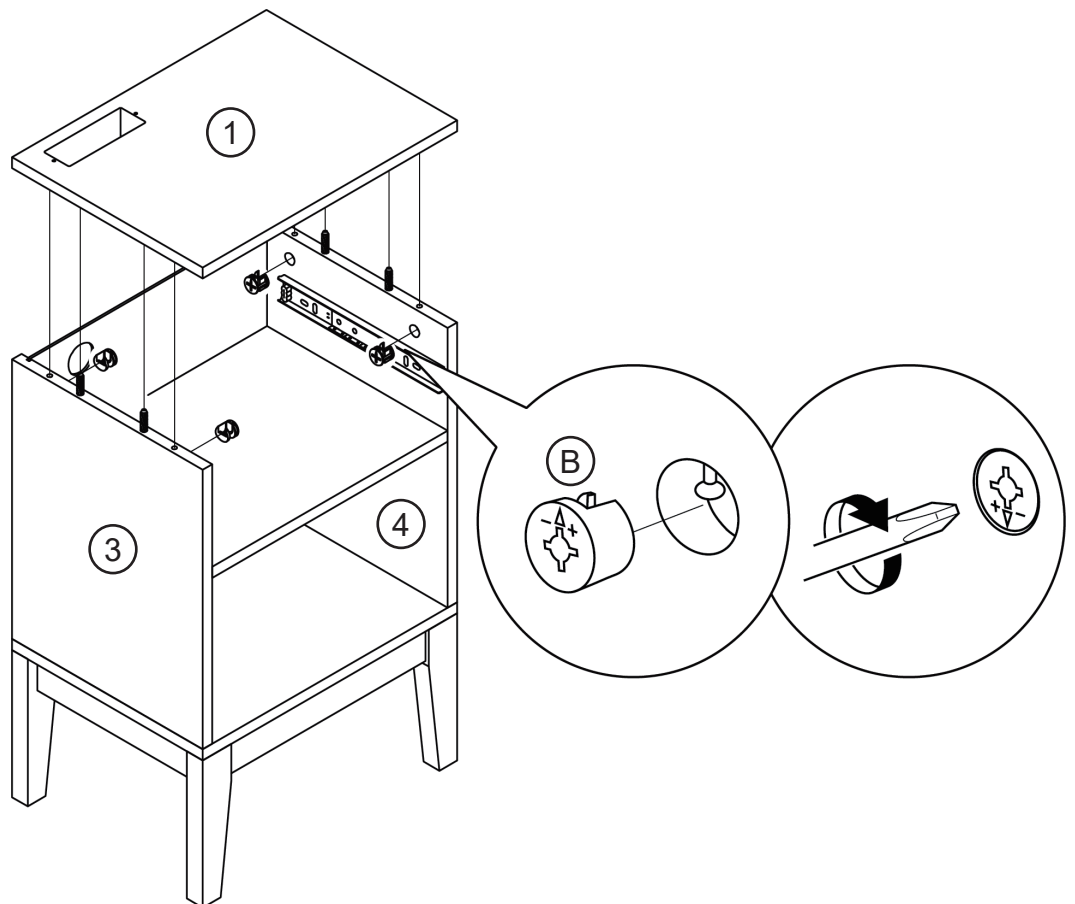
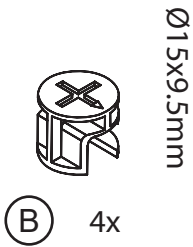
13

Attach cam bolts to the top panel (1).



14

Assemble the top panel (1) on top of the table assembly.



15

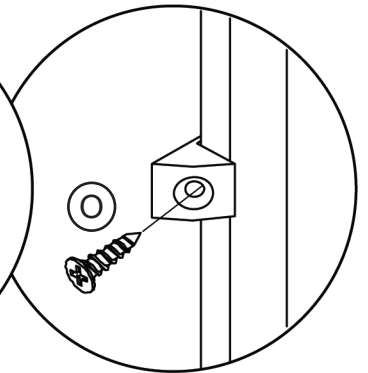
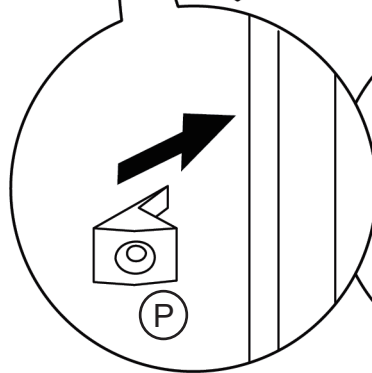
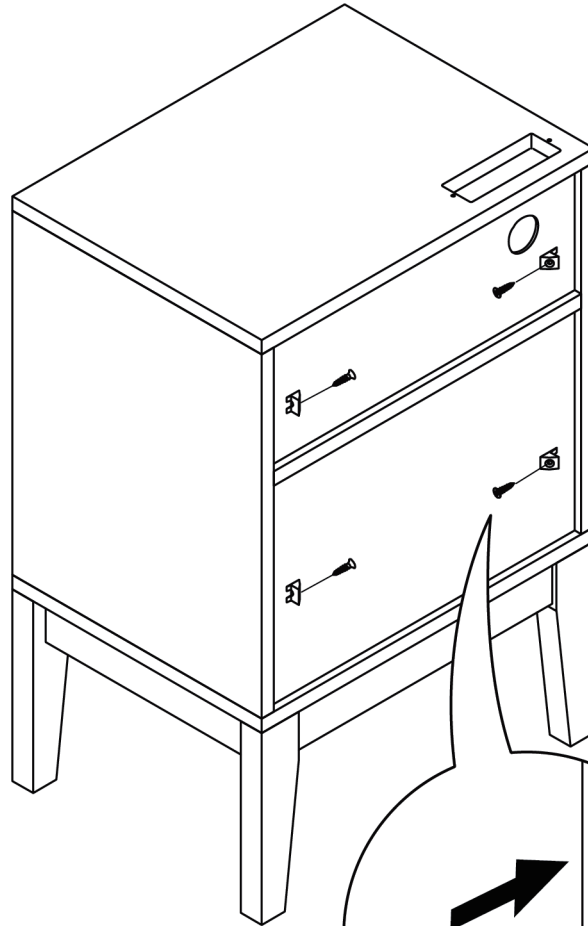
Secure the back panels in place.



⊙ 4x



Ⓟ 4x

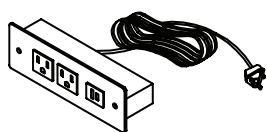


16

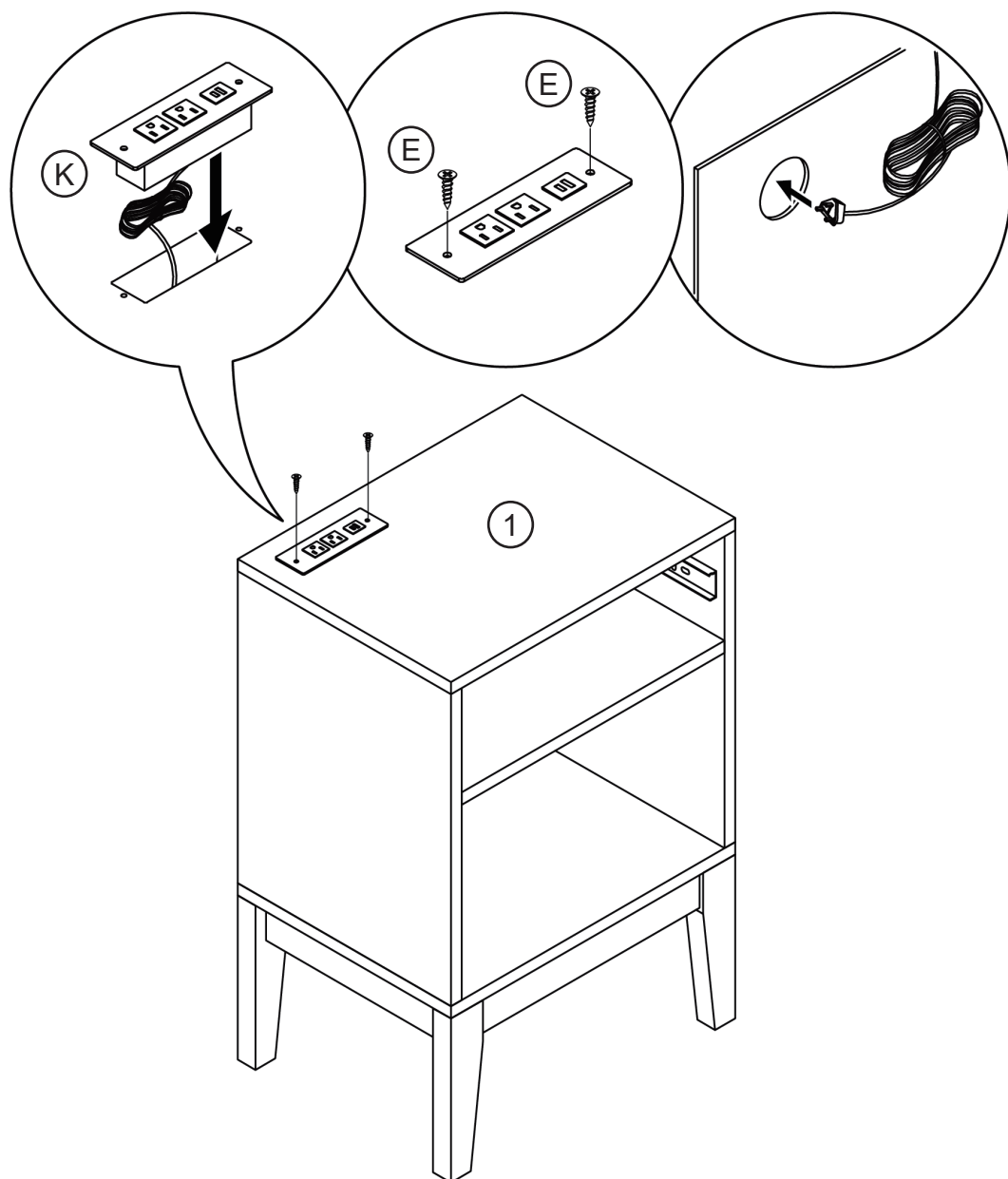
Attach power strip to the top panel (1)..



(E) 2x

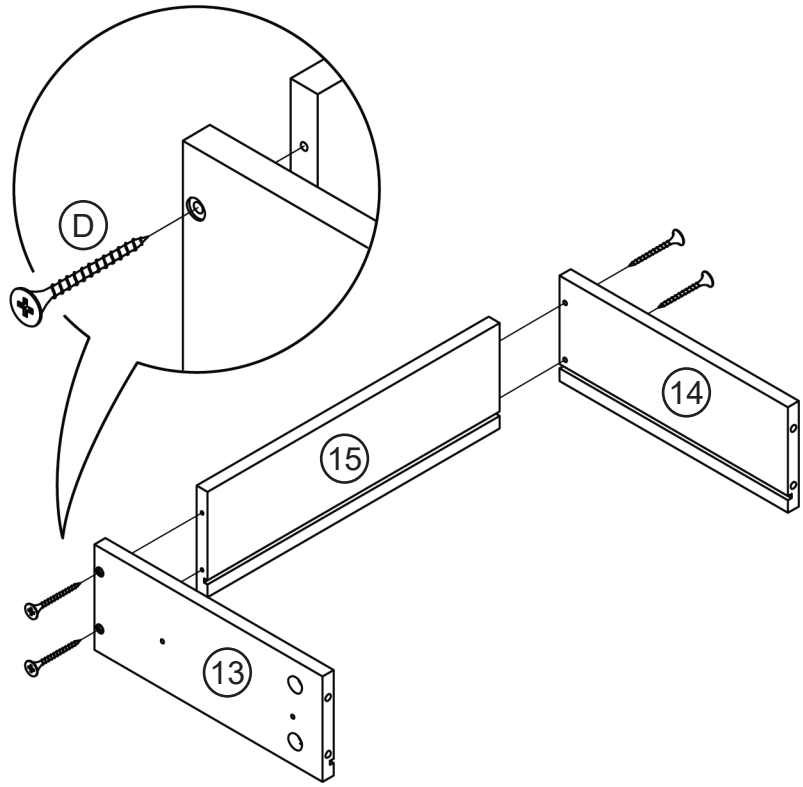


(K) 1x



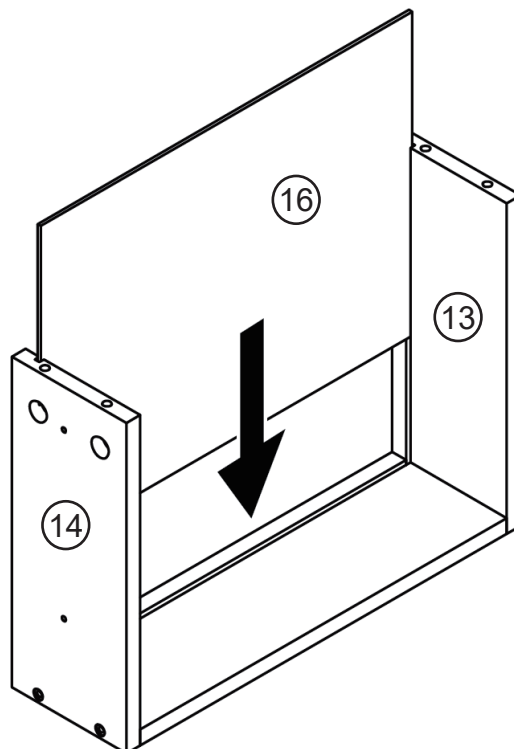
17

Assemble the drawer back panel (15) between the drawer side panels (13, 14).



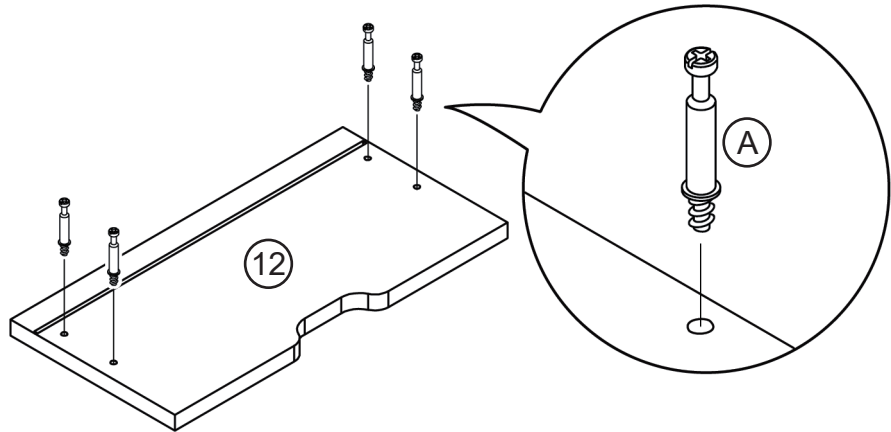
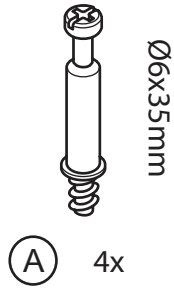
18

Slide in the drawer bottom panel (16).



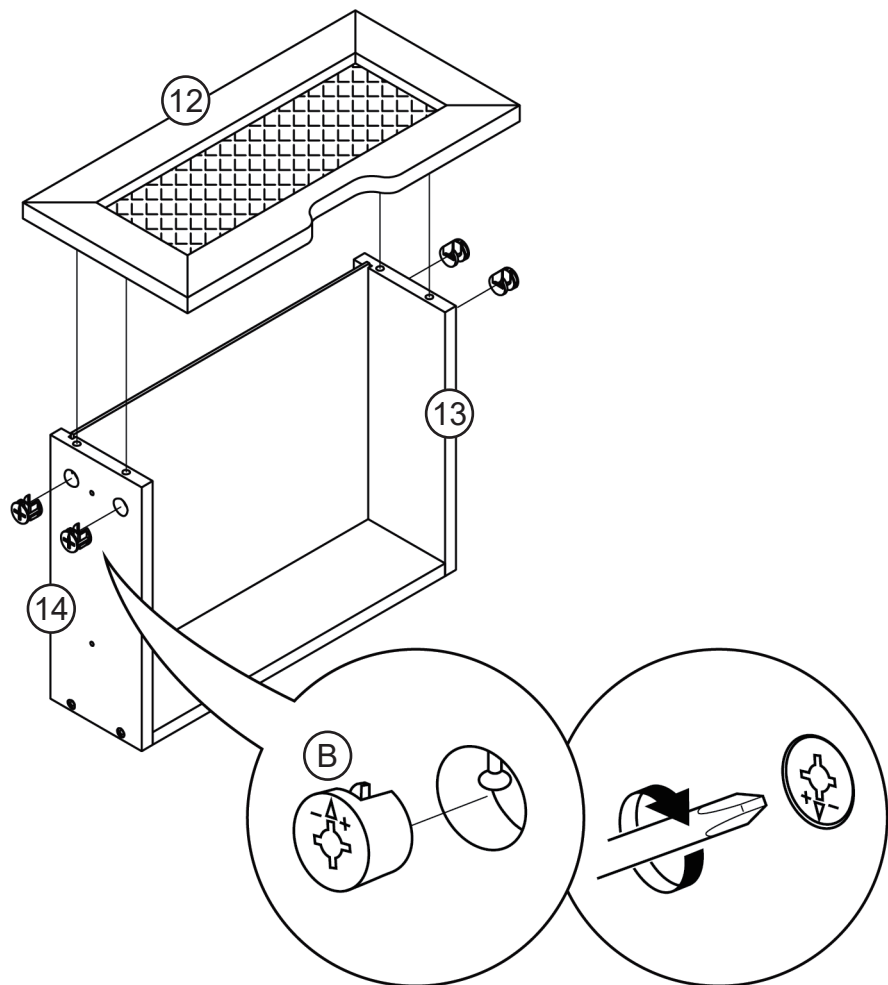
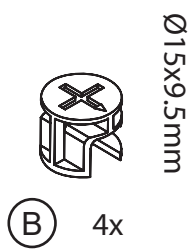
19

Attach cam bolts to the drawer front panel (12).



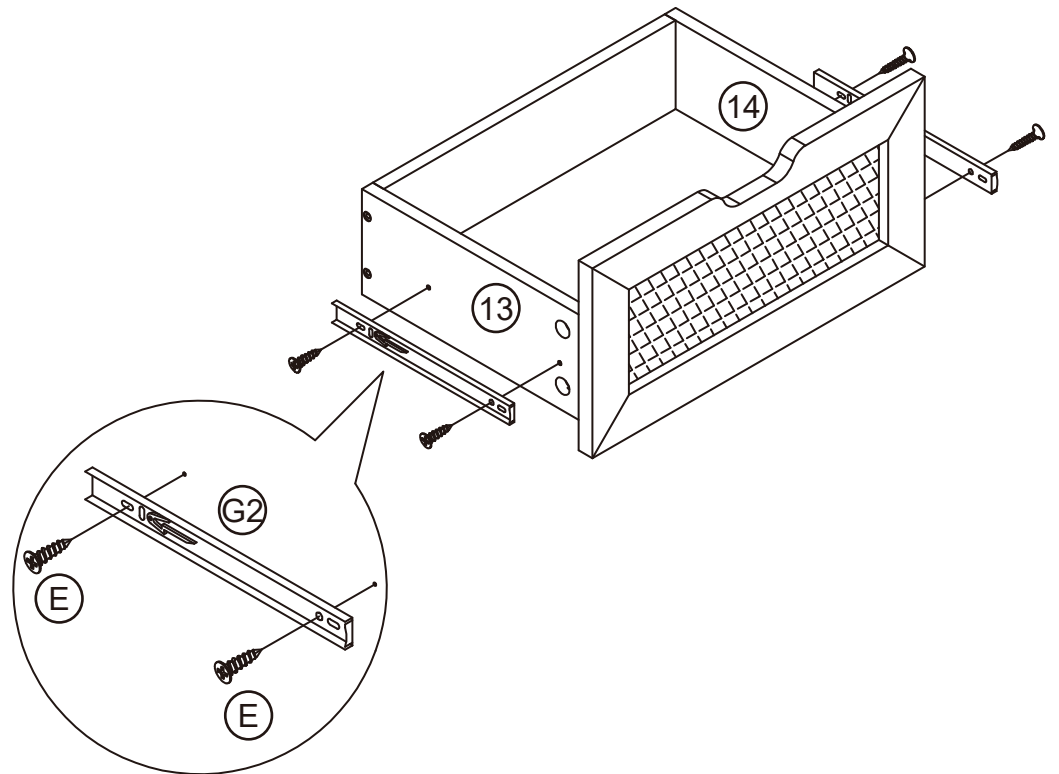
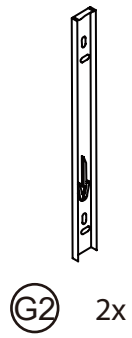
20

Assemble the drawer front panel (12) to the drawer tray assembly.

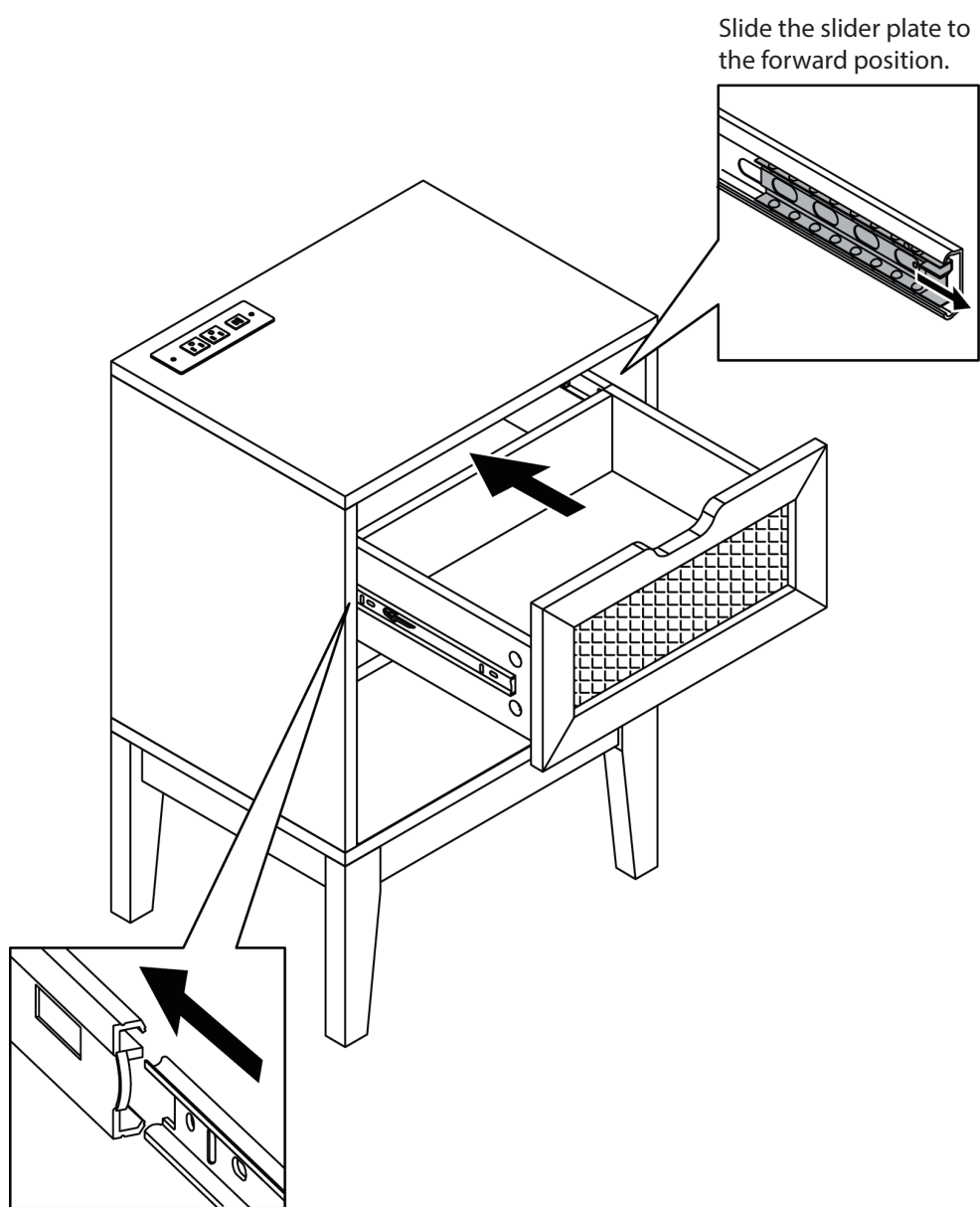


21

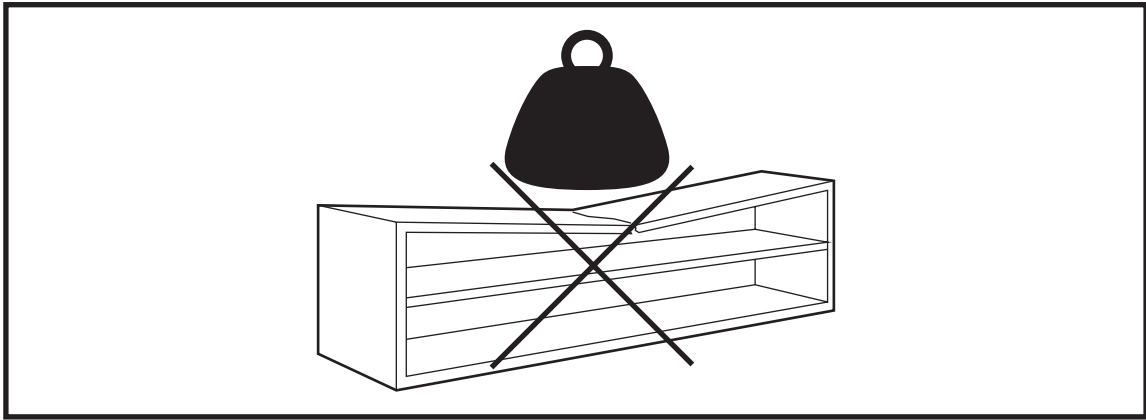
Attach sliders to the side of the drawer.



Slide the drawers into the table.



YOU'RE FINISHED!



Warning

Only place items on top of the product if they meet the recommended size and weight limits.

Climbing on, stepping on, or placing overweighted objects on the product may cause property damage and/or injuries.

Items placed onto this product must be resting on a support surface without hanging over the edges.

FURNITURE CARE AND MAINTENANCE

Medium - Density Fiberboard

Thank you for your purchase. We want your item to last as long as possible. To ensure the product gives you years of longevity, please follow the recommendations in this care and maintenance guide.



MAINTENANCE

- Tighten all bolts and screws again within the first 2 weeks of assembly.
- Check the tightness of all bolts every 2 months and tighten them if necessary.



CLEANING

- Clean the surface of the MDF (medium - density fiberboard) with a lightly dampened cloth.
- A small amount of mild soap can be used if necessary.
- Dry the surface immediately after cleaning.

- ⚠ DO NOT use bleach or alcohol to clean the surface.
- ⚠ DO NOT apply wood treatment on parts made with MDF.

MDF will swell and distort when exposed to water damage. Make sure to dry the furniture immediately after cleaning.

WARNING

The manufacturer and seller are not responsible for any and all liability relating to personal injury, property damage or losses, whether direct, indirect, or incidental, resulting from the incorrect attachment, improper use, inadequate maintenance, unapproved modification or neglect of this product.

WARRANTY

Our products come with a 1-year warranty from the date of delivery. **Register your product on our website to enjoy our limited lifetime warranty!**

AFTER-SALE SERVICE



Encounter any difficulties or missing parts?



Contact us or email us



We will send you replacement.



Hassle free!
No need to worry about repackaging and sending your item back.