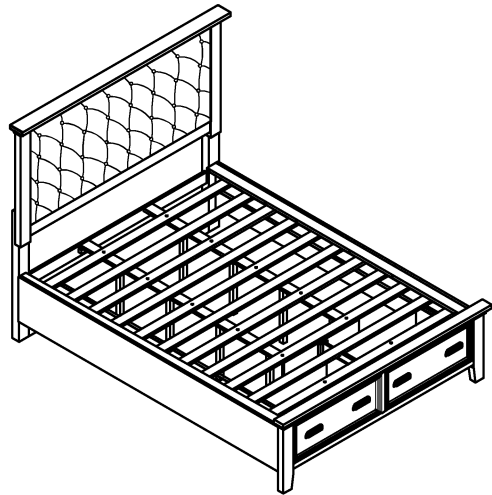
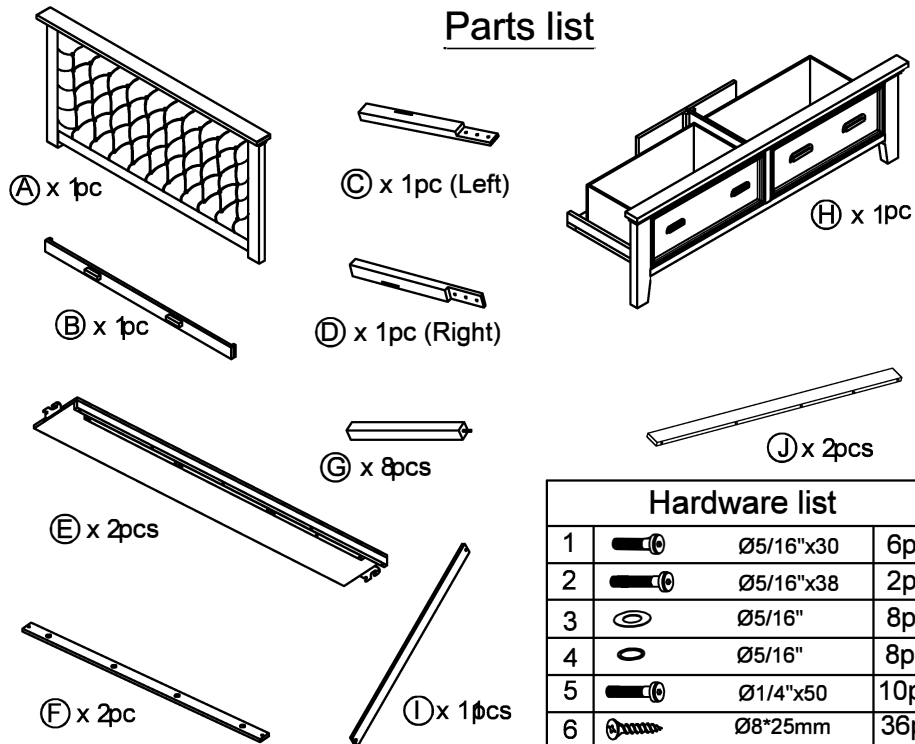


ASSEMBLY INSTRUCTION

CALI KING BED



Parts list



Hardware list

1		Ø5/16"x30	6pcs
2		Ø5/16"x38	2pcs
3		Ø5/16"	8pcs
4		Ø5/16"	8pcs
5		Ø1/4"x50	10pcs
6		Ø8*25mm	36pcs
7		4mm *58mm	1pc

