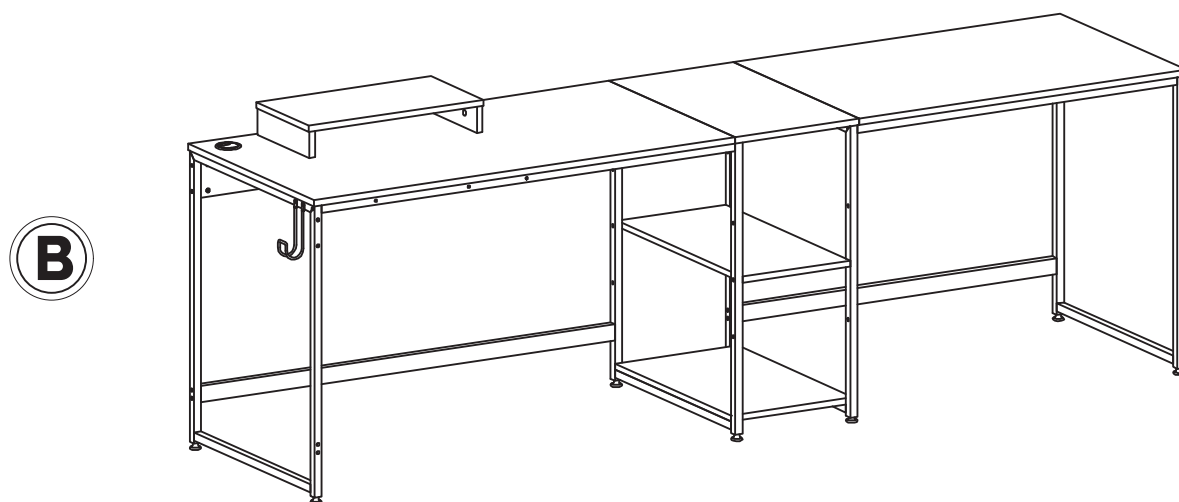
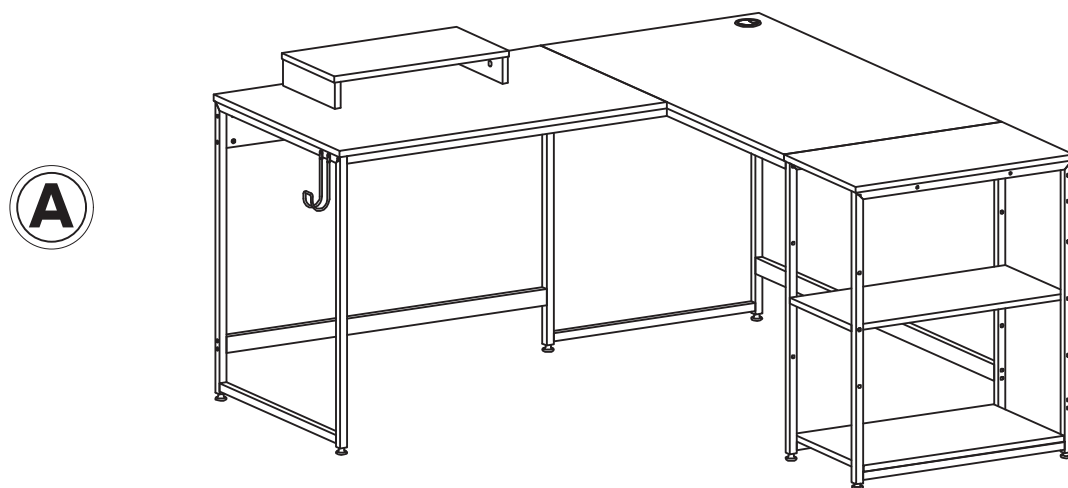


# L Desk - Double Color

## ASSEMBLY INSTRUCTION



# HELPFUL HINTS

## ! BEFORE YOU START

- Inspect product packaging to ensure the appearance is good.
- Read the assembly instruction carefully and follow it step by step.
- To avoid any scratching, putting a soft blanket on the floor is suggested.
- Identify, sort and count all the parts with tags.
- Find out installation position according to the drawing and install it in correct steps.

## ! OTHER

- People needed for assembly: 2.
- Estimated assembly time: 1.5-2.5h.
- An electric drill needed.

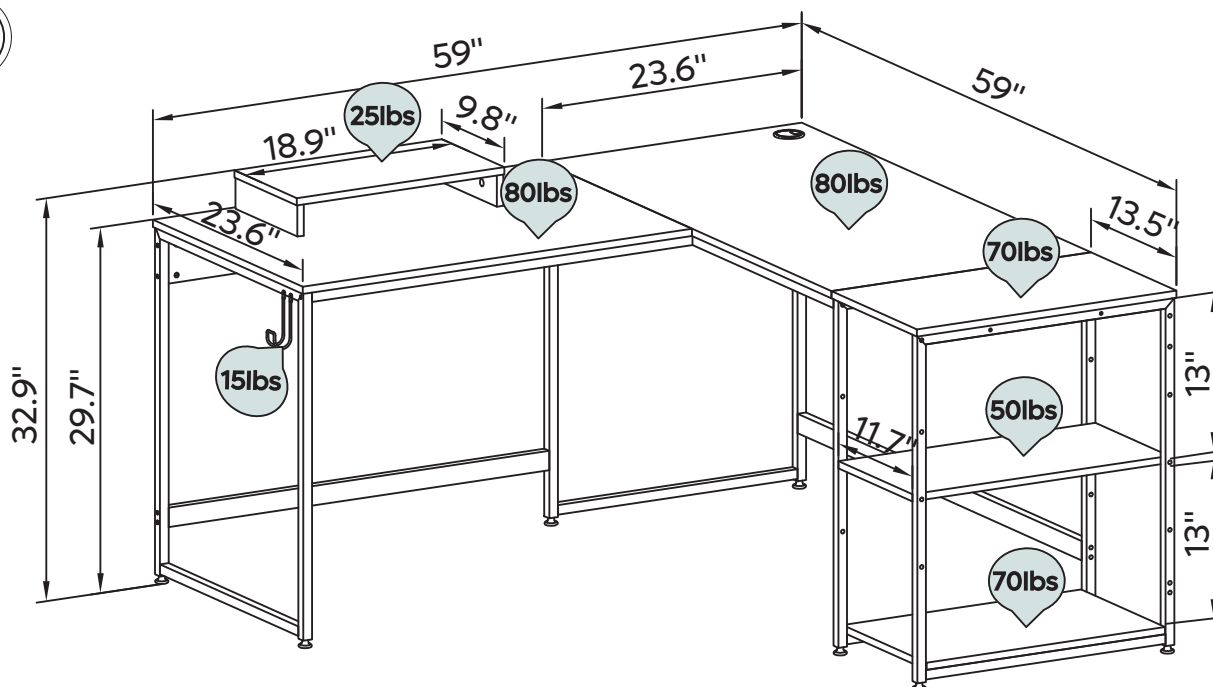
## ! CAUTION

- Be cautious when using a power drill or power screwdriver.
- Please be aware to slow down and stop when screw is nearly tight.
- Do Not use any harsh chemicals or abrasive cleaners for this item.
- Push, pull or drag this item carefully.

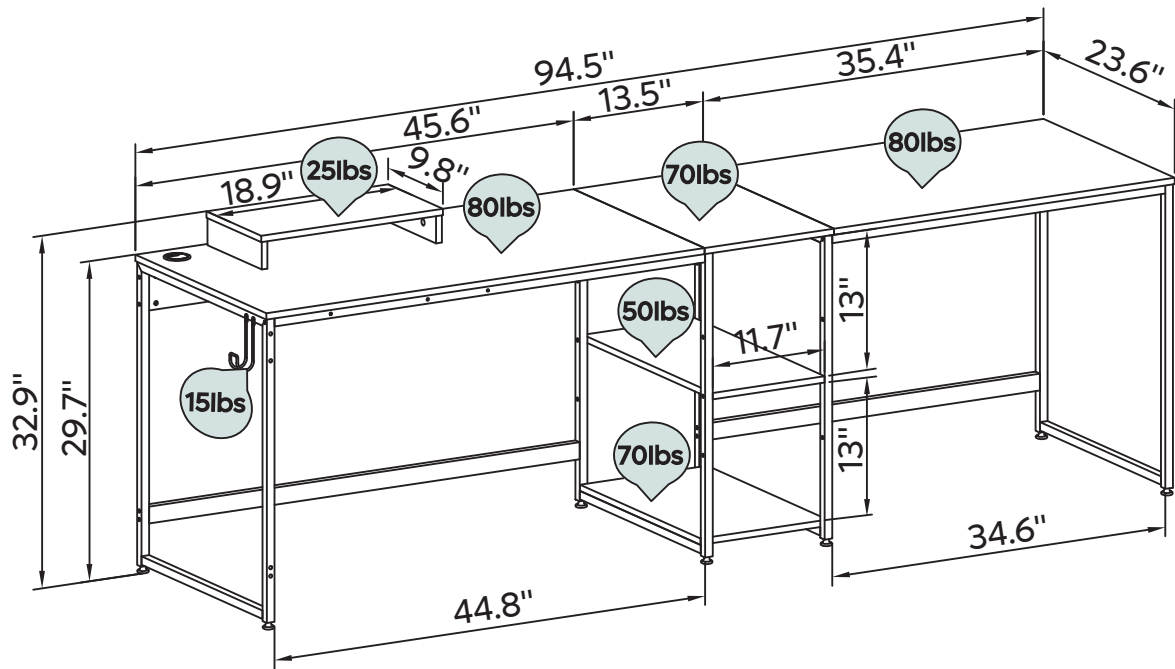
## DETAILS

UNIT : INCH

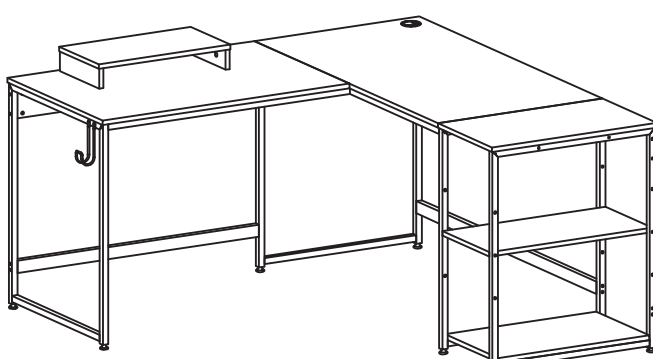
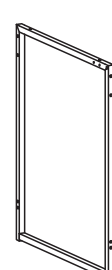
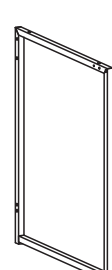
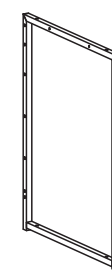




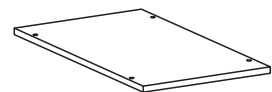
A

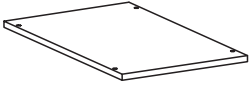
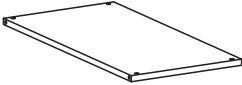


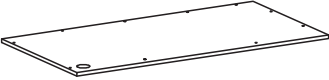
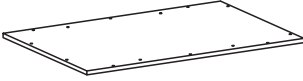








**B**

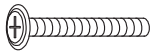
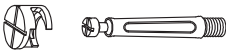








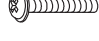



## PART LIST

	<b>1</b>  X1	<b>2</b>  X1	
	<b>3</b>  X2	<b>4</b>  X1	
<b>5</b>  X1	<b>6</b>  X1	<b>7</b>  X1	<b>8</b>  X1

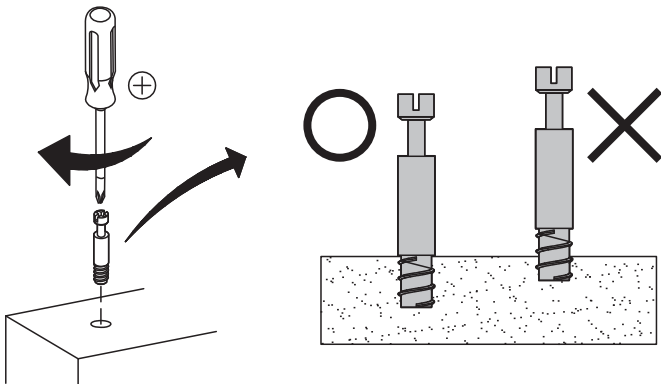
<p><b>9</b></p>  <p>X1</p>	<p><b>10</b></p>  <p>X1</p>	<p><b>11</b></p>  <p>X1</p>	<p><b>12</b></p>  <p>X2</p>
<p><b>13</b></p>  <p>X1</p>	<p><b>14</b></p>  <p>X1</p>	<p><b>15</b></p>  <p>X1</p>	<p><b>16</b></p>  <p>X1</p>
<p><b>17</b></p>  <p>X1</p>	<p><b>18</b></p>  <p>X8</p>	<p><b>19</b></p>  <p>X8</p>	<p><b>20</b></p>  <p>X1</p>

## ACCESSORY LIST

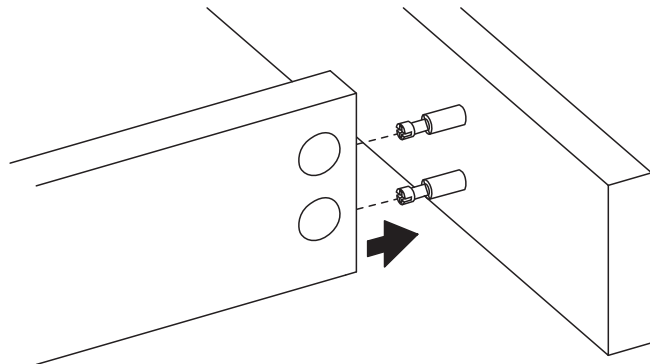
No.	PICTURE	SIZE	QTY	No.	PICTURE	SIZE	QTY
<b>A</b>		M6x35mm	12+1	<b>G</b>		M6x35mm	4+1
<b>B</b>		M6x30mm	23+1	<b>H</b>		Ø8x30mm	4+1
<b>C</b>		M6x12mm	12+1	<b>I</b>		Ø15mm	4+1
<b>D</b>		M6	4+1	<b>J</b>		Ø22mm	4+1
<b>E</b>		ST5x50mm	12+1	<b>K</b>		M4	2
<b>F</b>		M4x25mm	2				

# Detailed Installation for Accessory G

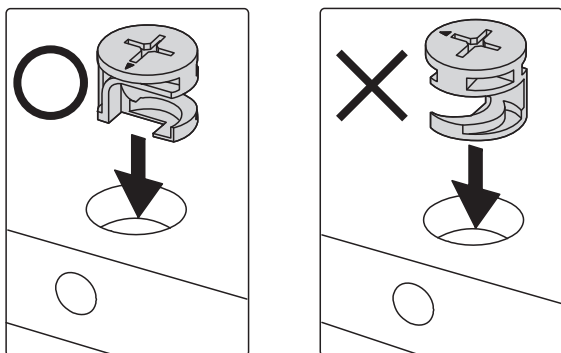
**1** Screw cam dowel on the panel.



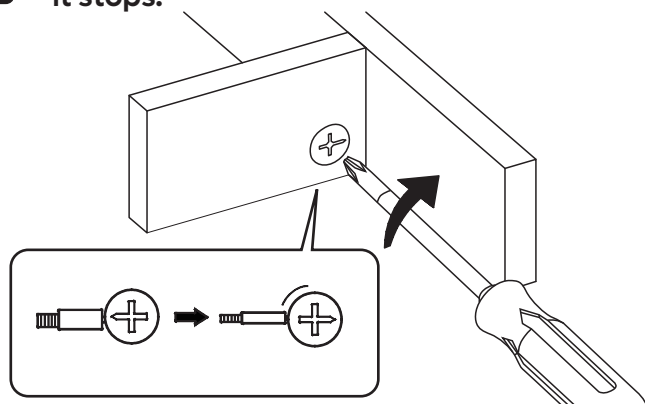
**2** Place another panel via the dowel.



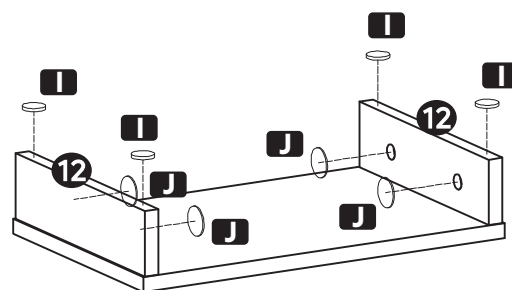
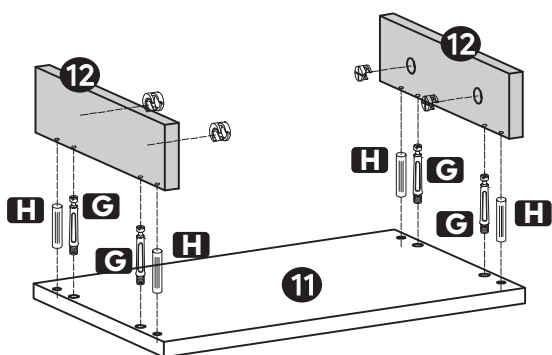
**3** Pay attention to the direction of cam lock when putting it into hole.



**4** Tighten up cam lock clockwise until it stops.



## STEP 1



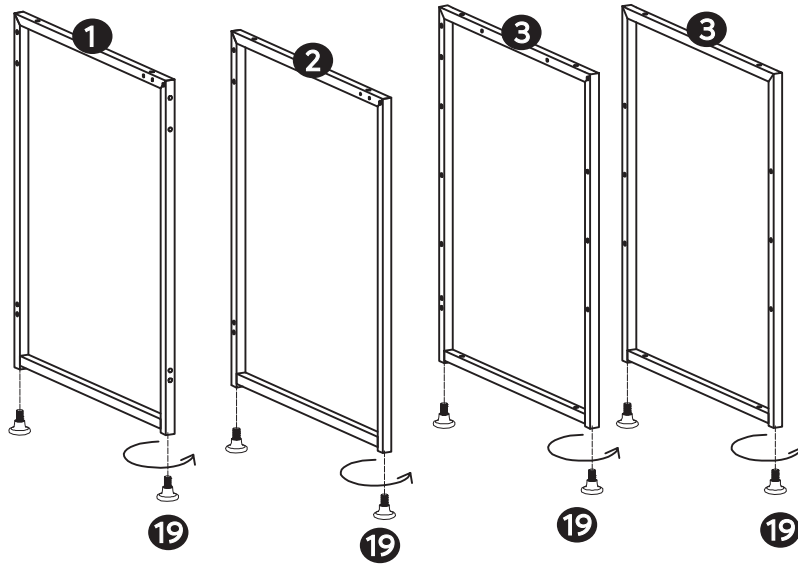
**G**  M6x35mm 4

**H**  Ø8x30mm 4

**I**  Ø15mm 4

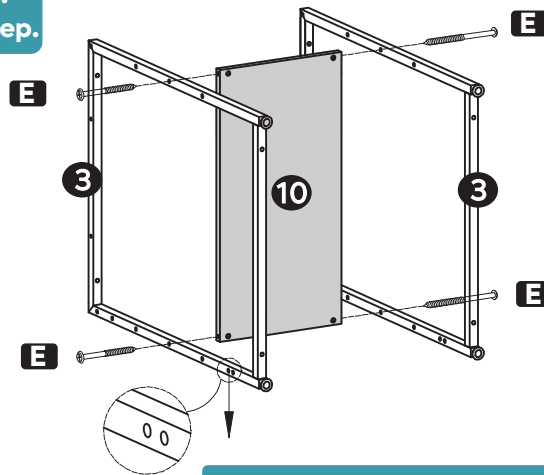
**J**  Ø22mm 4

## STEP 2



## STEP 3

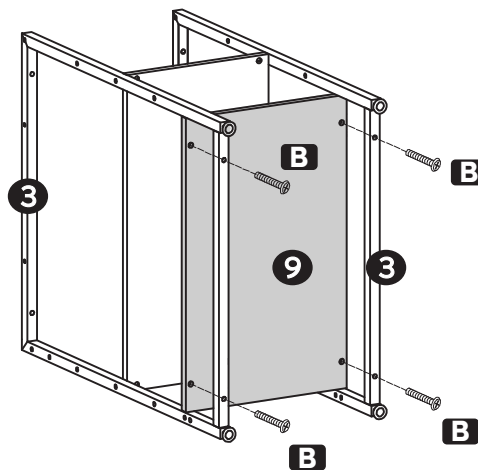
※ You can install the shelf board in different height to meet your need. Do not tighten the screws in this step.



※ The side with 2 thread holes close face outward.

**E**  ST5x50mm 4

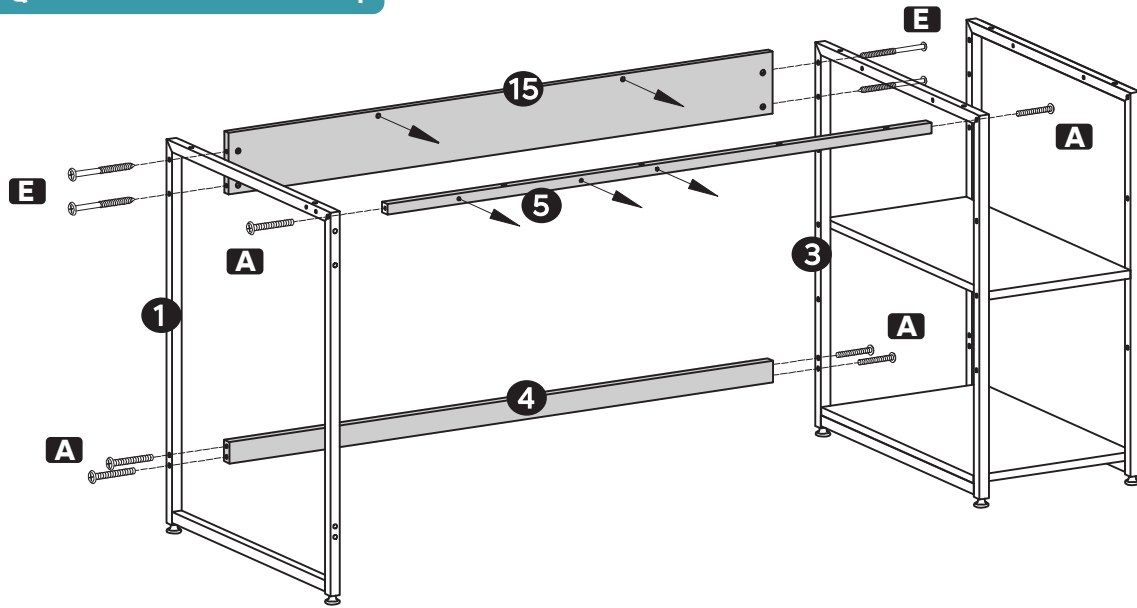
## STEP 4



**B**  M6x30mm 4

## STEP 5

※ Please make sure correct screws are used in different parts.  
Do not tighten the screws in this step.

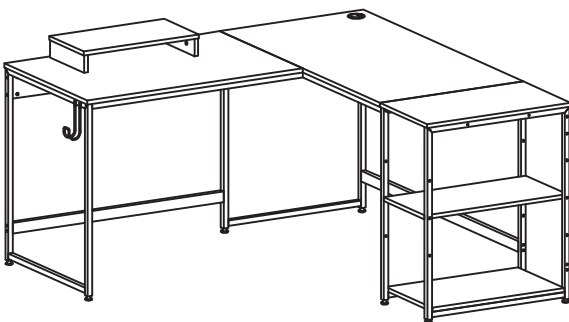


**A**  M6x35mm 6

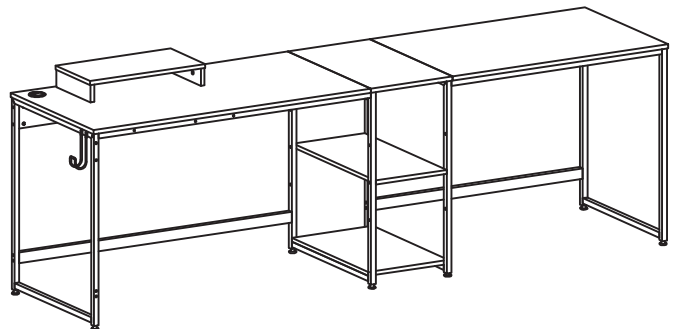
**E**  ST5x50mm 4

**BELOW ARE TWO KINDS OF ASSEMBLY WAYS, STYLE A IS AN I DESK, STYLE B IS A LONG DESK. PLEASE CHOOSE THE ONE YOU LIKE TO SET UP THE DESK.**

**A**

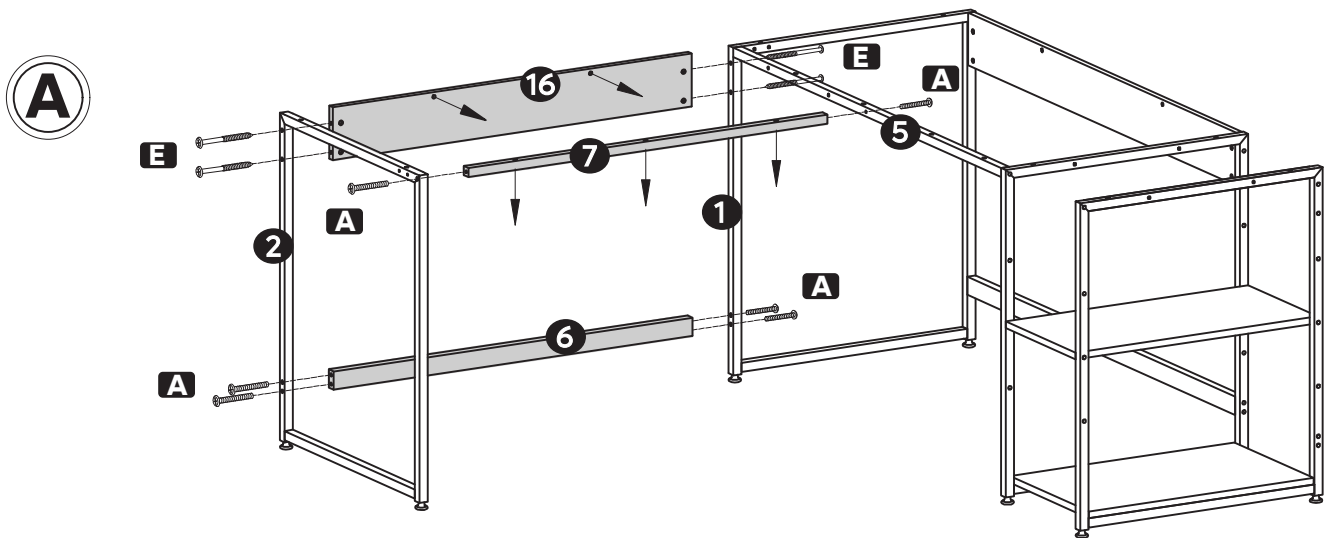


**B**



## STEP 6

※ Please make sure correct screws are used in different parts.  
Do not tighten the screws in this step.

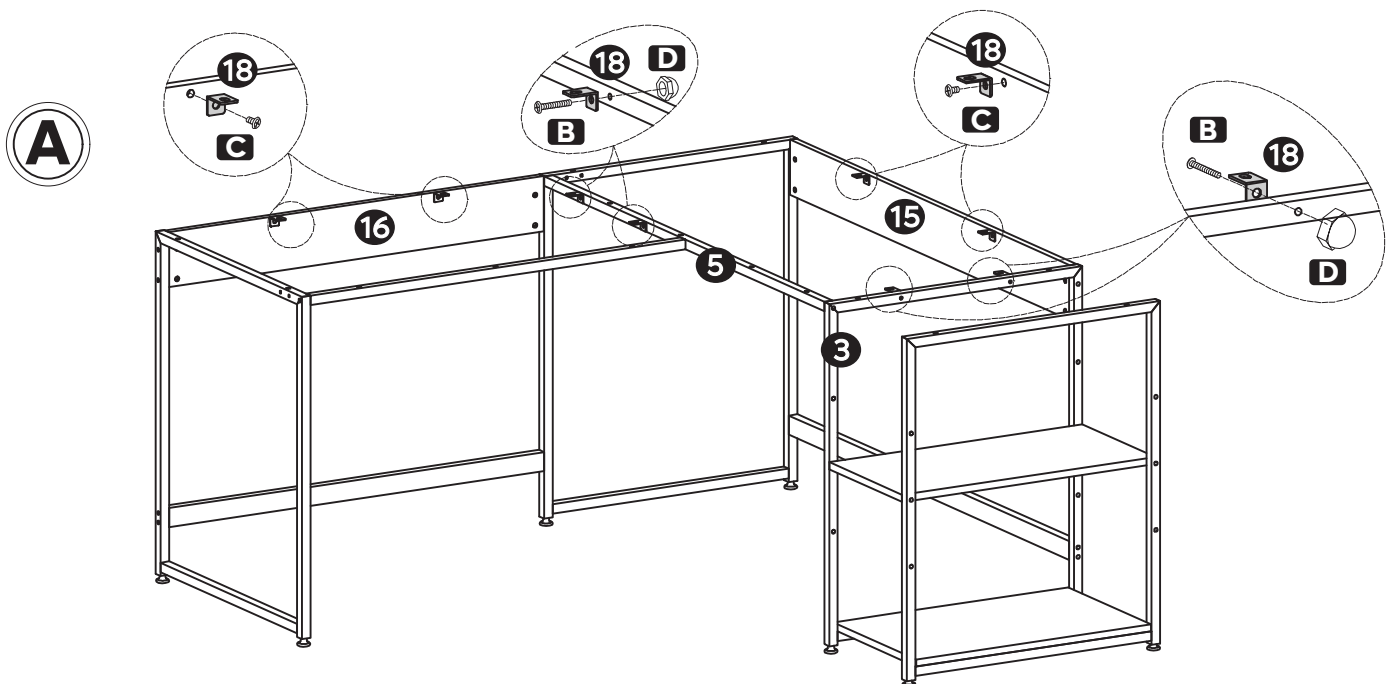


**A**  M6x35mm 6

**E**  ST5x50mm 4

## STEP 7

※ Make sure Screws C used to connect the wood board and the corner bracket to avoid damage the board.



**B**  M6x30mm 4

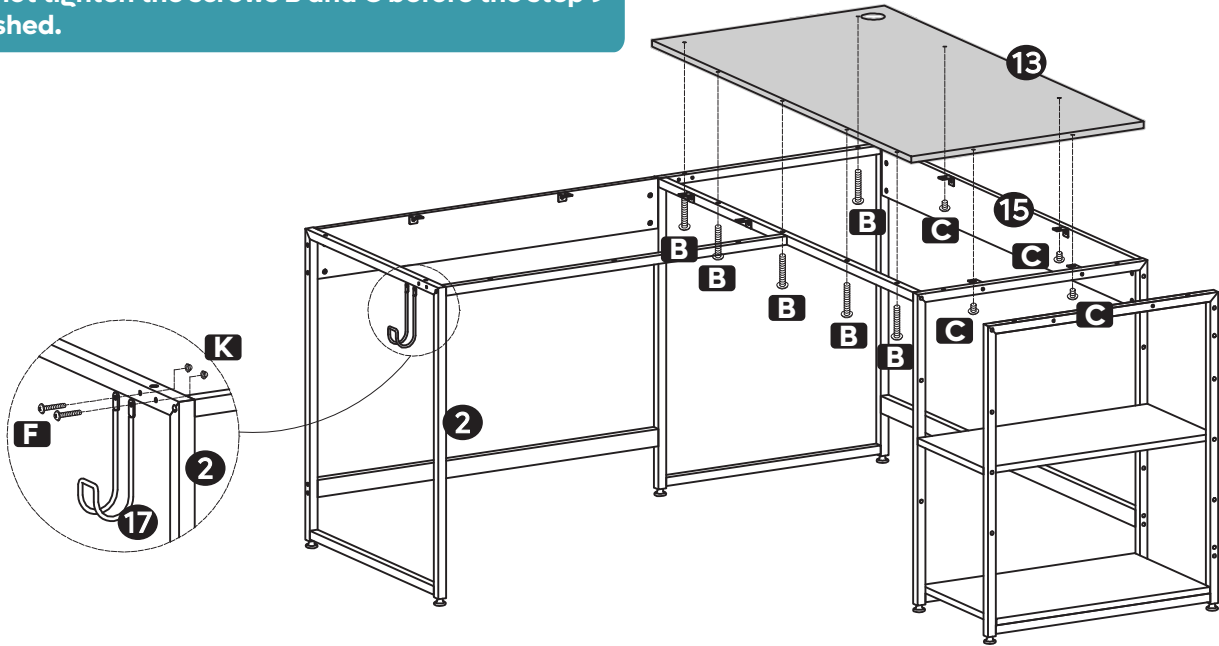
**C**  M6x12mm 4

**D**  M6 4

## STEP 8

- ※ Make sure Screw C used to connect desk top board and the corner bracket to avoid damage the board.
- ※ Do not tighten the screws B and C before the step 9 finished.

**A**

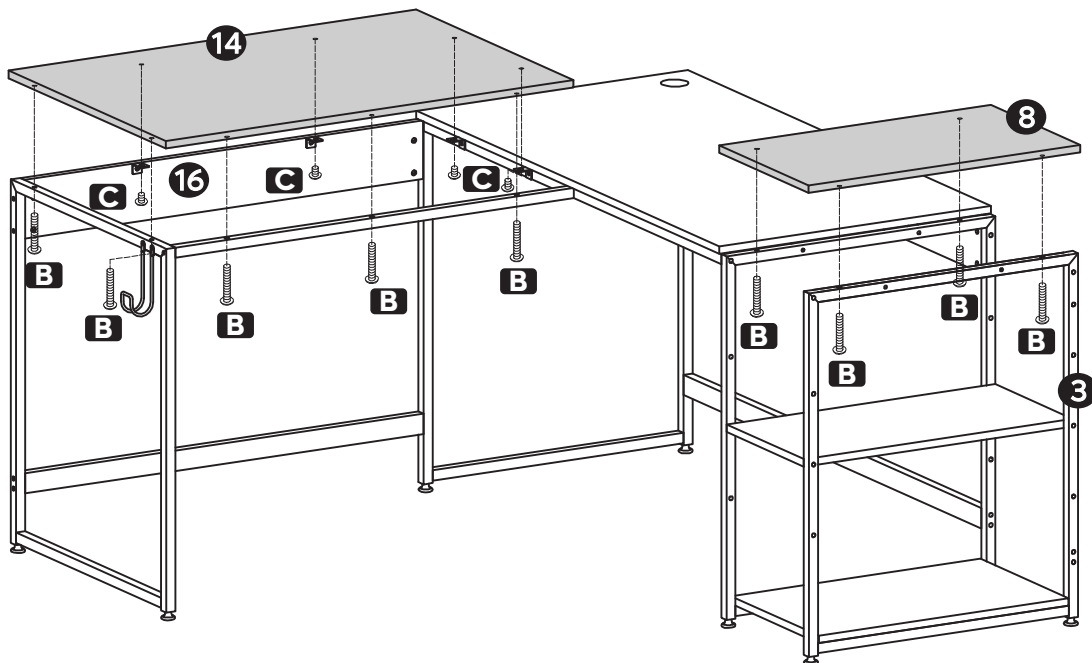



<b>B</b>		M6x30mm 6	<b>F</b>		M4x25mm 2
<b>C</b>		M6x12mm 4	<b>K</b>		M4mm 2

## STEP 9

- ※ Tighten all screws for the whole desk in this step when there is not gap.

**A**

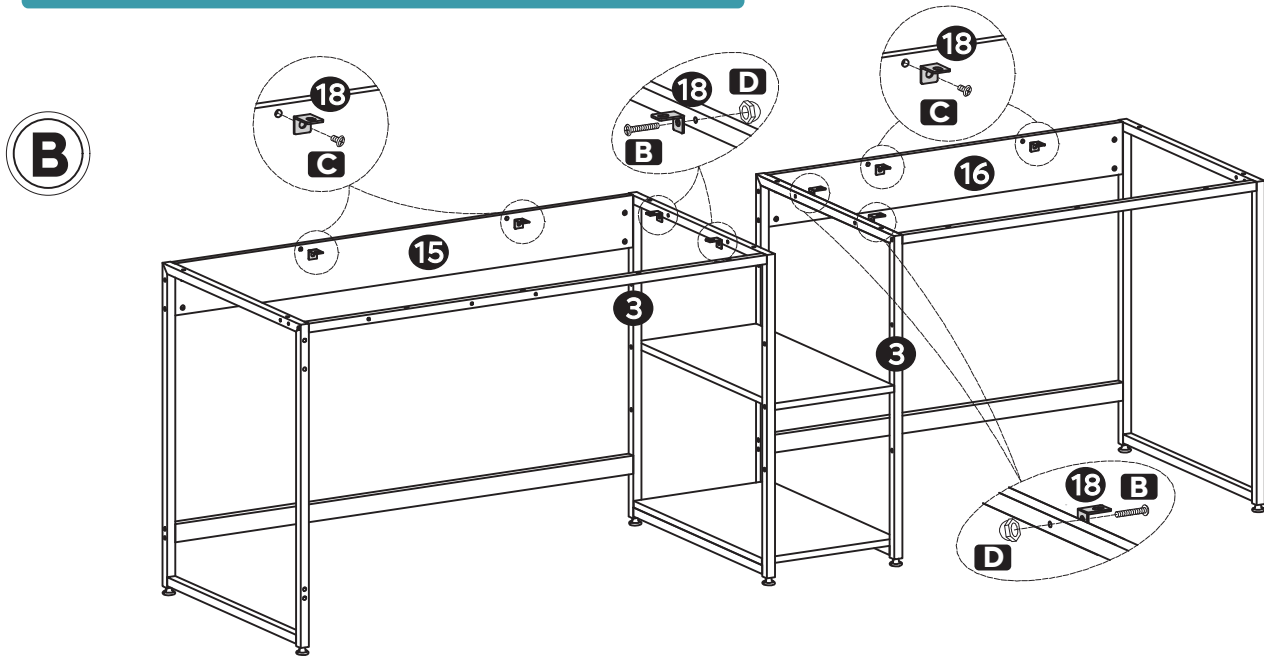


<b>B</b>		M6x30mm 9
<b>C</b>		M6x12mm 4



## STEP 7

※ Make sure Screws C used to connect the wood board and the corner bracket to avoid damage the board.



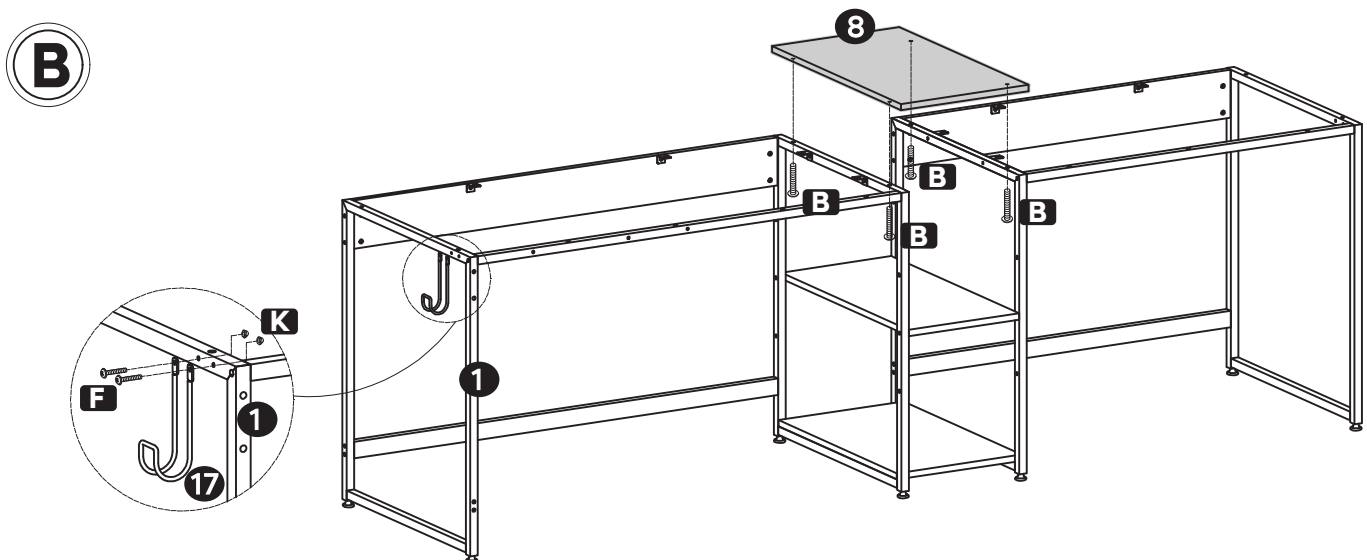
**B**  M6x30mm 4

**C**  M6x12mm 4

**D**  M6 4

## STEP 8

※ Do not tighten the screws B and C before the step 9 finished.



**F**  M4x25mm 2

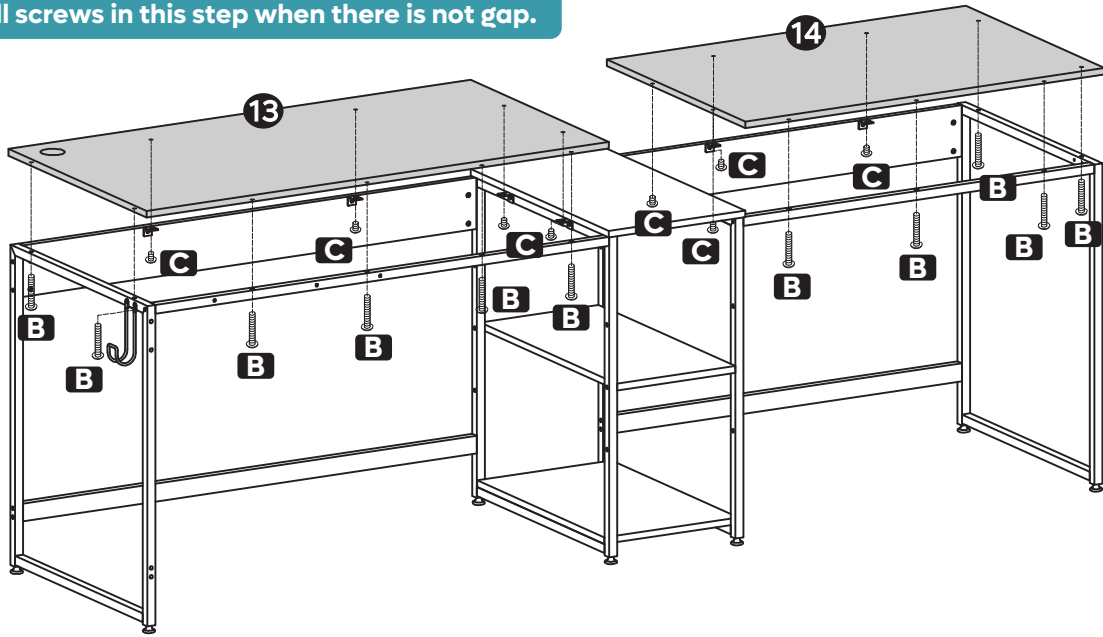
**B**  M6x30mm 4

**K**  M4mm 2

## STEP 9

- ※ Make sure Screws C used to connect the wood board and the corner bracket to avoid damage the board.
- ※ Tighten all screws in this step when there is not gap.

**B**



**B**  M6x30mm 11

**C**  M6x12mm 8

## STEP 10

**B**

