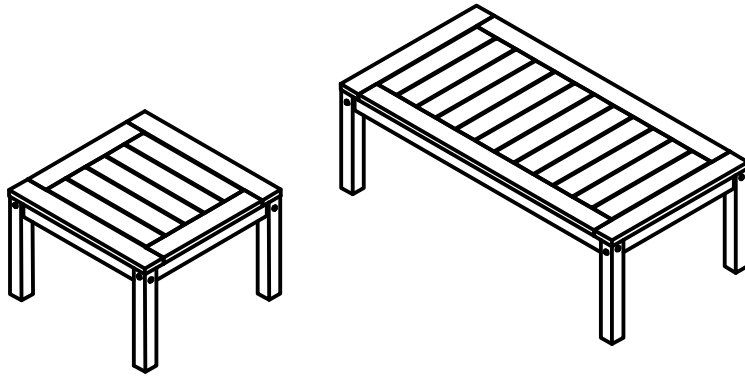


Adirondack Side/Coffee Table

Assembly Guide



*Actual Style May Vary from the One Pictured in this Guide

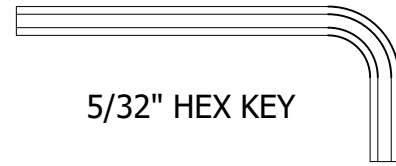
HARDWARE INCLUDED



3" LAG SCREW

Qty: 8

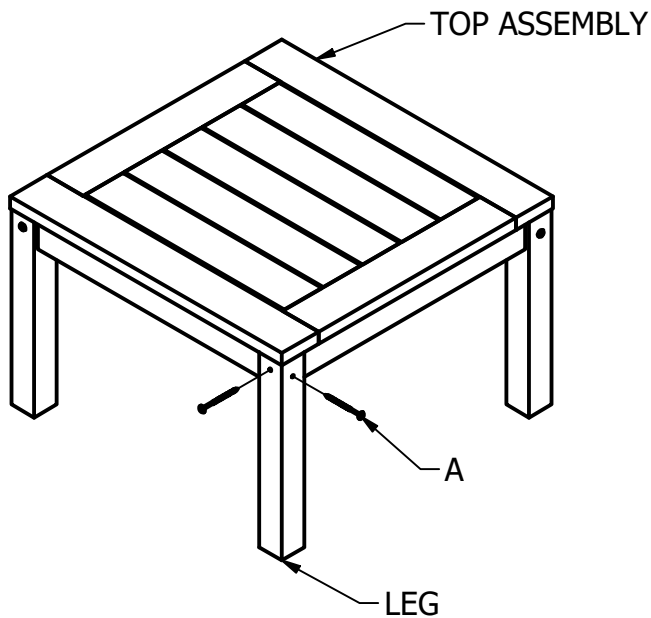
TOOLS INCLUDED



5/32" HEX KEY

IMPORTANT!

DO NOT fully tighten bolts until all bolts are started.



1) Attach leg to table top using (2) A bolts. Repeat for remaining (3) legs.

Note: Line up holes in the legs with the pre-drilled holes in the tabletop.