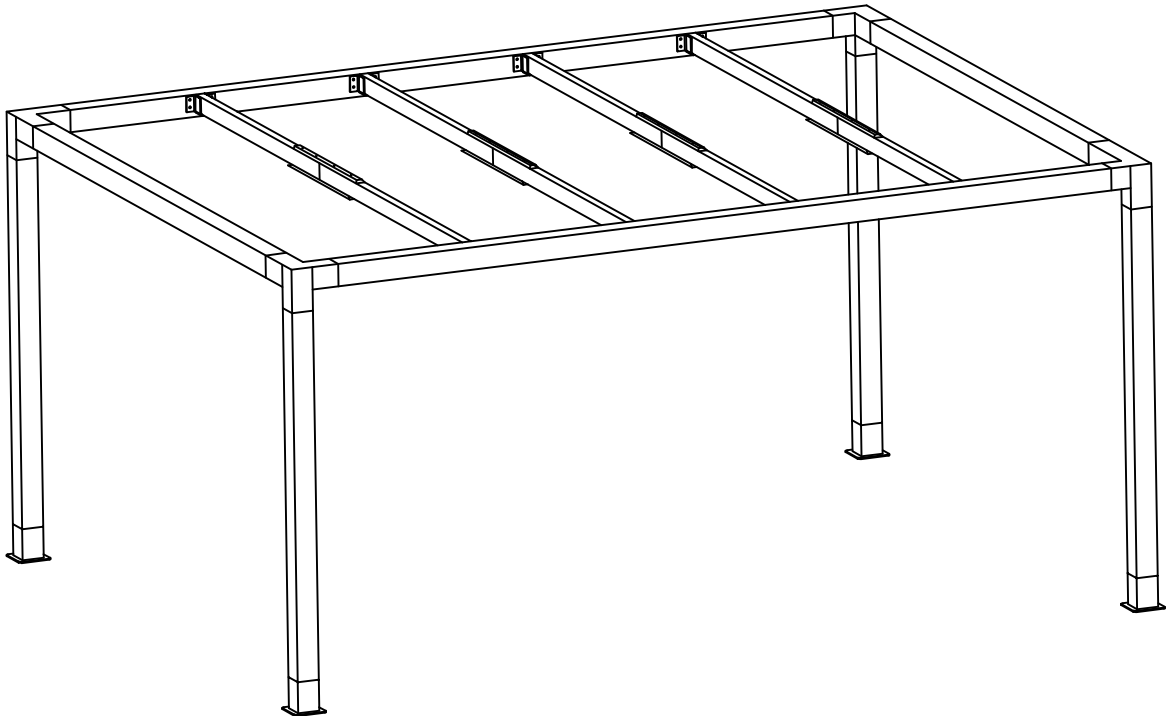


# OWNER'S MANUAL

---

## 10'X13' Outdoor Wood Pergola



# Contact Us

If you have any questions,  
Please contact customer service.

**Email: [service@brzpatio.com](mailto:service@brzpatio.com)**

Scan the QR code to watch the installation video.



# SAFETY PRECAUTIONS

## WARNING



Please read and understand this entire manual before attempting to assemble or install this product.



Some parts may have sharp edges. Please wear protective gloves when assembling or installing this product.



Before beginning assembly, choose and measure out the location on which you want to place your pergola. Make sure your space is large enough. Then, find a large and convenient assembly area where you can lay out and pre-assemble all parts for your Pergola.



Children and pets should be kept from your assembly area if possible. Supervise children and pets if they are in the assembly area.



This item is heavy. Please handle with care. Two or more people are required for this assembly.

## CAUTION

★ Check every part against the part list before beginning your assembly. If any part is missing or damaged, do not attempt to assemble the product. Instead, please contact us.

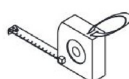
★ TOOLS RECOMMENDED :



Drill / Driver



Tool Belt



Tape Measure



8' Step Ladder



Safety Gloves



Carpenter's Level



Square



Safety Glasses



Hard Hat

★ Once a unit has been pre-assembled as per the instructions, set it aside until later

★ We care about your experience. Please feel free to contact us if you have any questions or issues. We will try to offer you efficient solutions ASAP.

## WARRANTY COVERAGE REQUIREMENTS :

★ Pictures of the damaged parts.

★ The order number of your product.

★ Please gather all of this information BEFORE you contact us.

★ Do not use this item in a way inconsistent with the manufacturer's instructions, as this could void the product warranty.

**Email:**  
**service@brzpatio.com**

# PRODUCT WARRANTY INSTRUCTION

---



## Free Warranty Period:

The free warranty period starts from the product receipt date and lasts one year.



## Coverage during the Free Warranty Period:

1. If any components of the purchased product are damaged due to non-human-induced reasons natural wear and tear excluded , corresponding new parts will be replaced free of charge.

2. If the entire purchased product is damaged due to non-human -induced reasons natural wear and tear excluded and cannot be further used, corresponding parts or a brand-new product will be replaced free of charge.



## Coverage after the Free Warranty Period:

After the warranty period expires, replacement components will be provided to customers at cost price for continued service.



## Additional Services:

After purchasing the product, customers can consult our staff for any product-related inquiries.



### Contact Email :

service@brzpatio.com



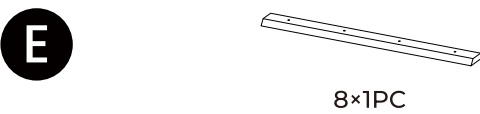
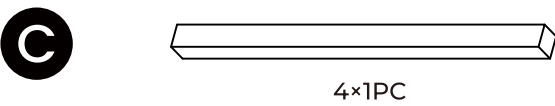
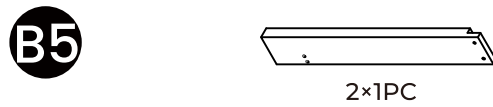
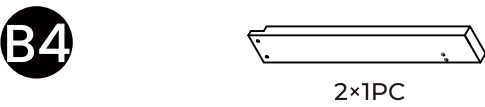
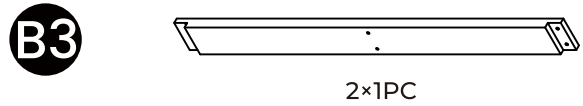
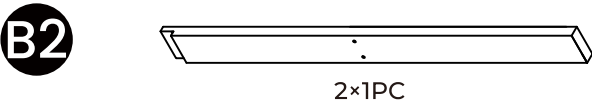
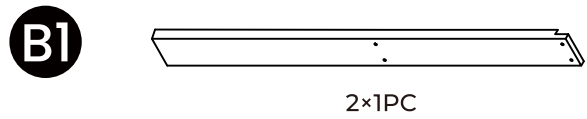
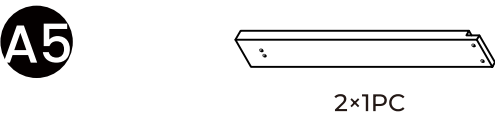
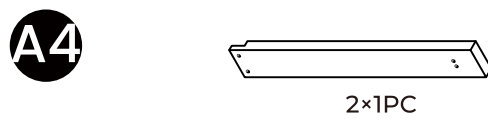
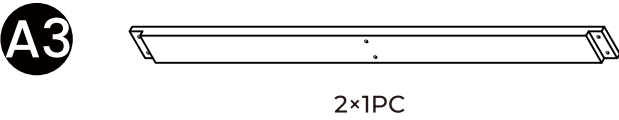
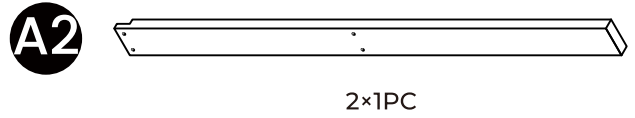
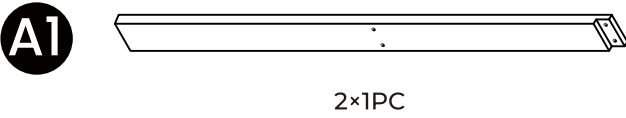
### Contact Phone :

9144101739

---

# ACCESSORIES DISPLAY

## Part List



Email:  
[service@brzpatio.com](mailto:service@brzpatio.com)

# ACCESSORIES DISPLAY

16



32×1PC

17

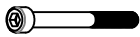
M3.5×70mm



16×1PC

18

M6×50mm



8×1PC

19

M3.5×35mm



72×1PC

110

M3.5×40mm



64+48×1PC

J



1PC

K

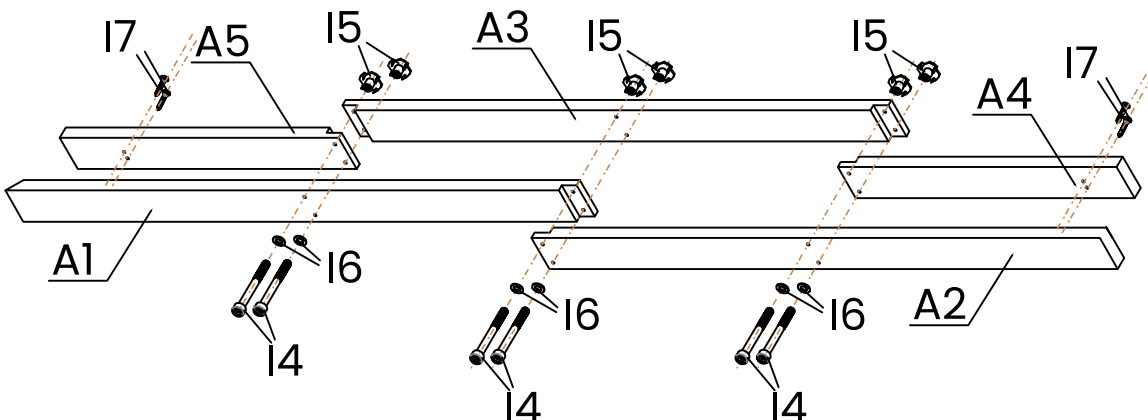
M6×80mm



16×1PC

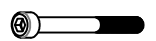


×2



## STEP 1

x12



14: 12 PCS

x12



15: 12 PCS

x12



16: 12 PCS

x8



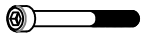
17: 8 PCS

Email:  
service@brzpatio.com

# PRODUCT ASSEMBLY

## STEP 2

x12



14: 12 PCS

x12



15: 12 PCS

x12

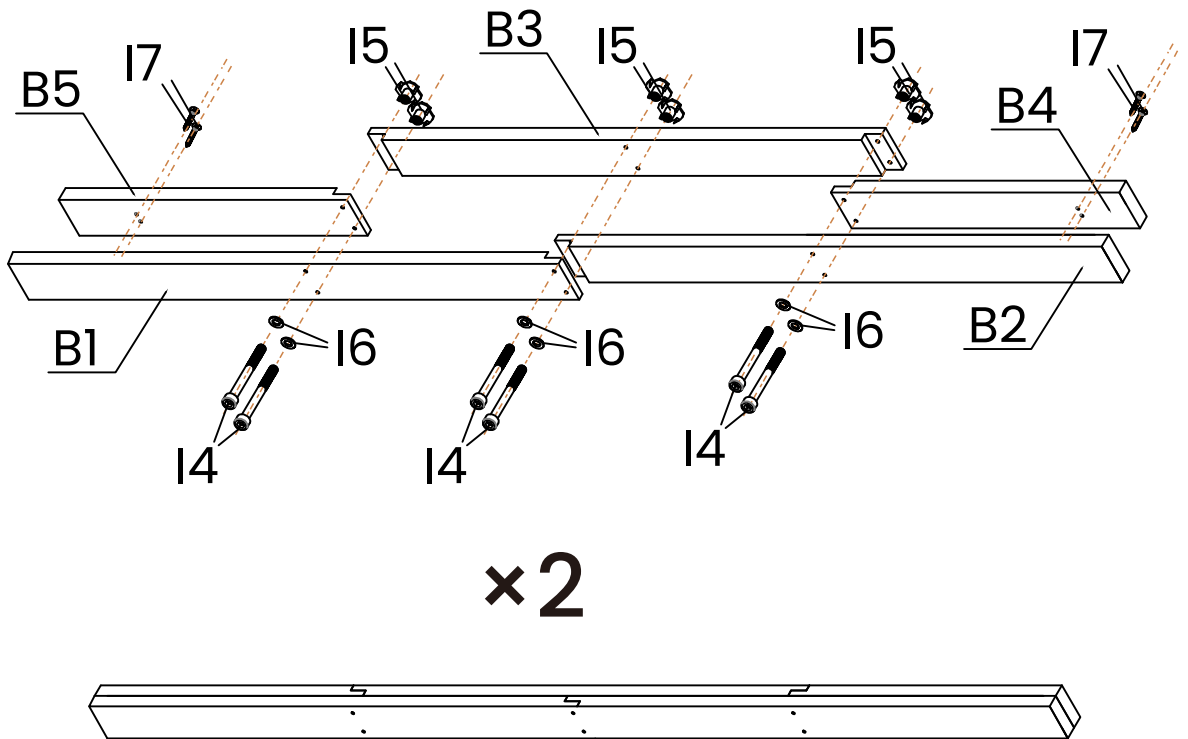


16: 12 PCS

x8



17: 8 PCS



## STEP 3

x8



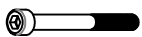
15: 8 PCS

x8



16: 8 PCS

x8

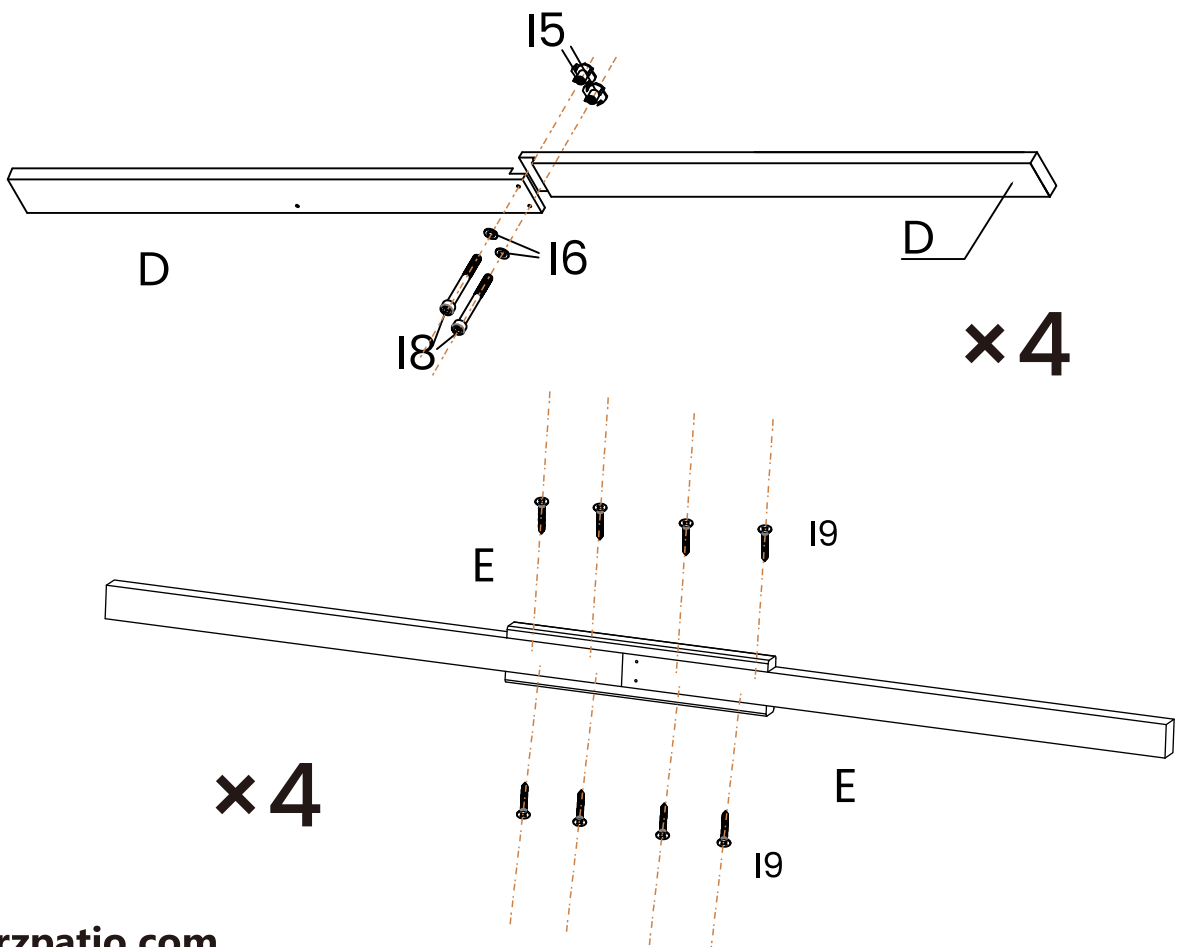


18: 8 PCS

x32



19: 32 PCS



Email:  
[service@brzpatio.com](mailto:service@brzpatio.com)

# PRODUCT ASSEMBLY

## STEP 4

x4

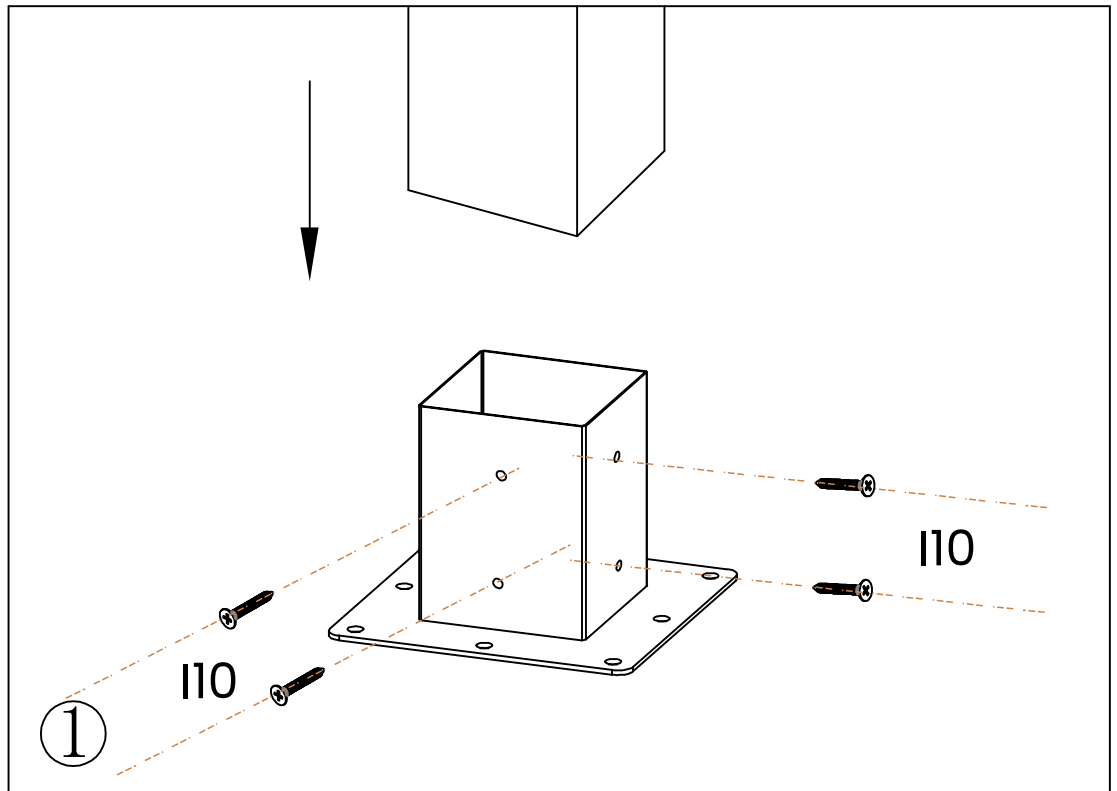


G : 4 PCS

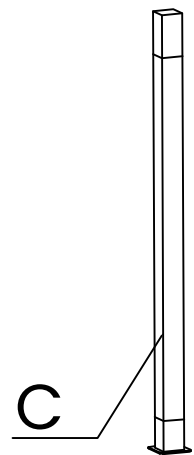
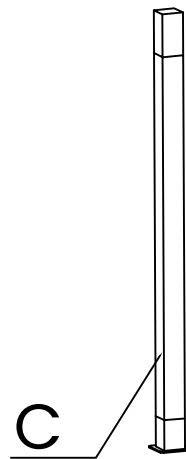
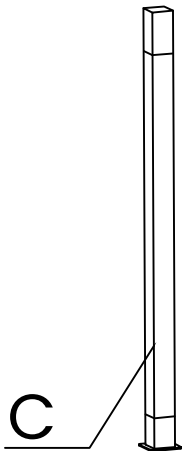
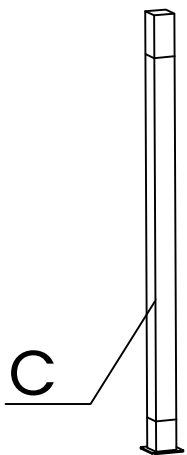
x16



I10 : 16 PCS



x4



Email:  
[service@brzpatio.com](mailto:service@brzpatio.com)

# PRODUCT ASSEMBLY

## STEP 5

x4

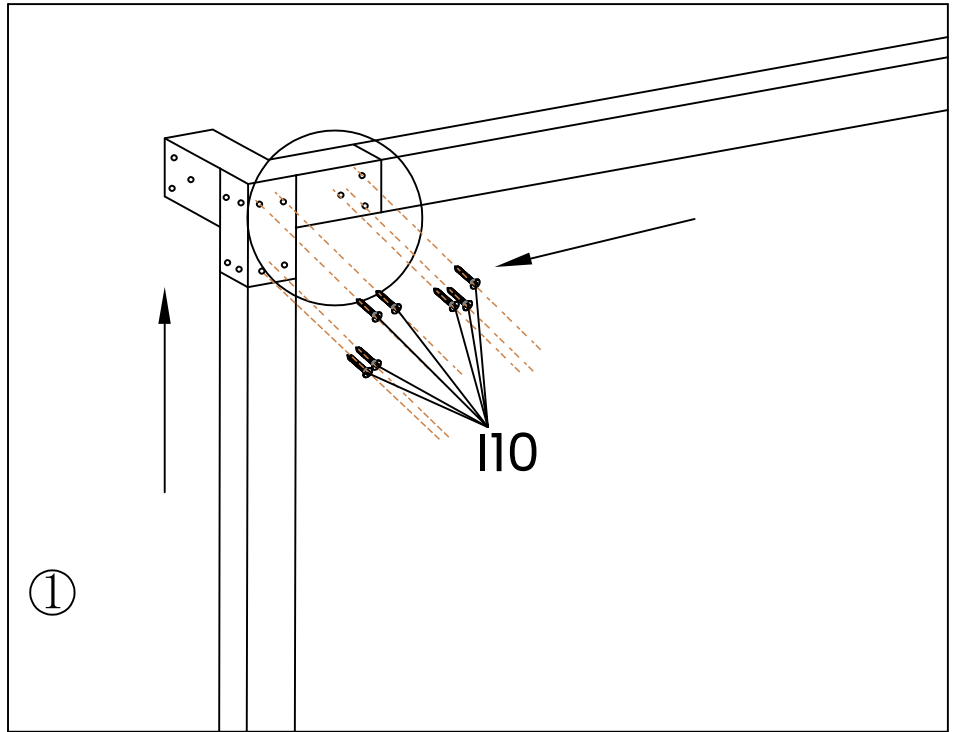


F: 4 PCS

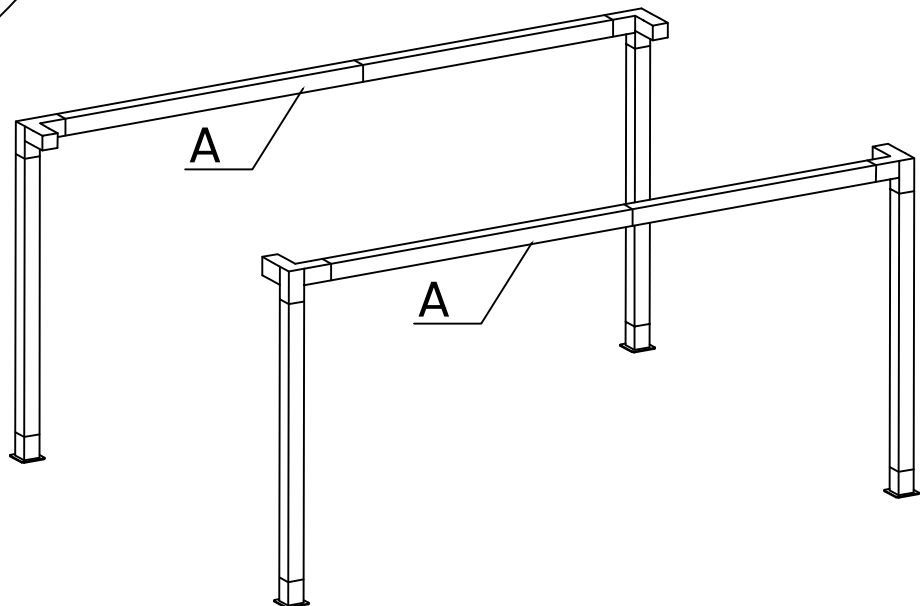
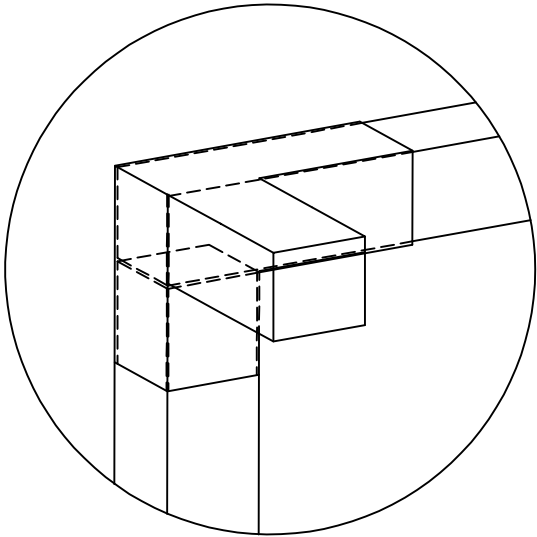
x28



I10: 28 PCS



x4



Email:  
[service@brzpatio.com](mailto:service@brzpatio.com)

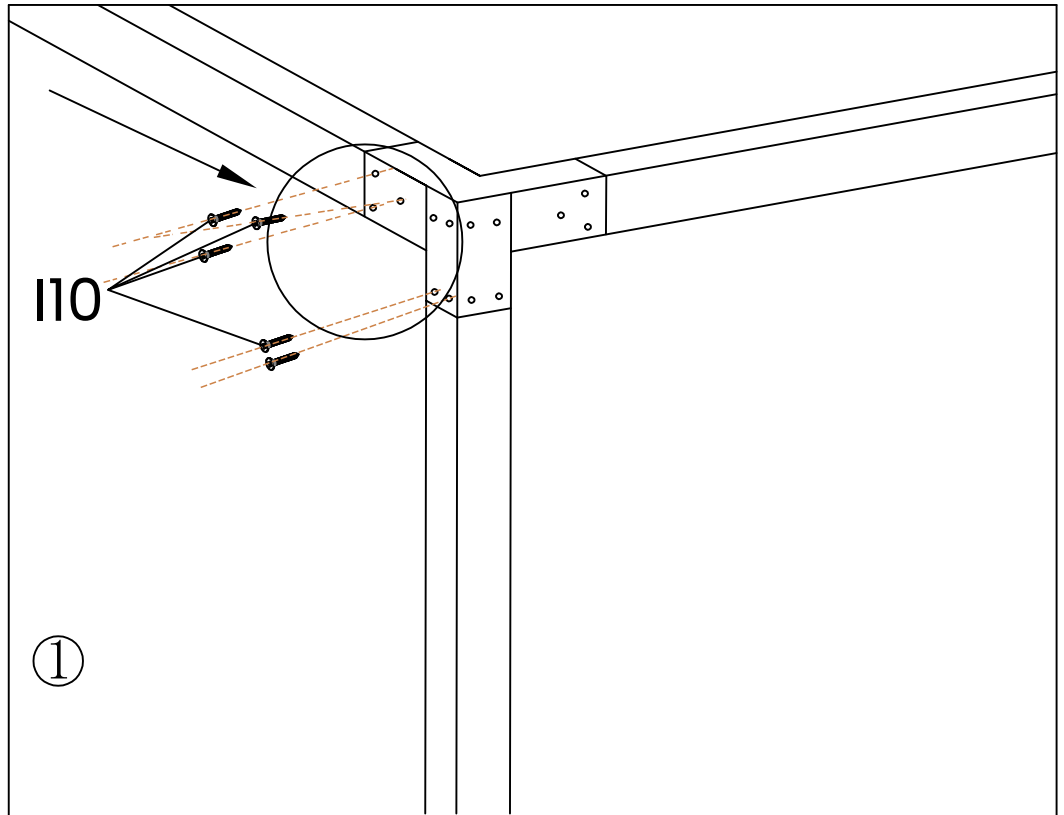
# PRODUCT ASSEMBLY

## STEP 6

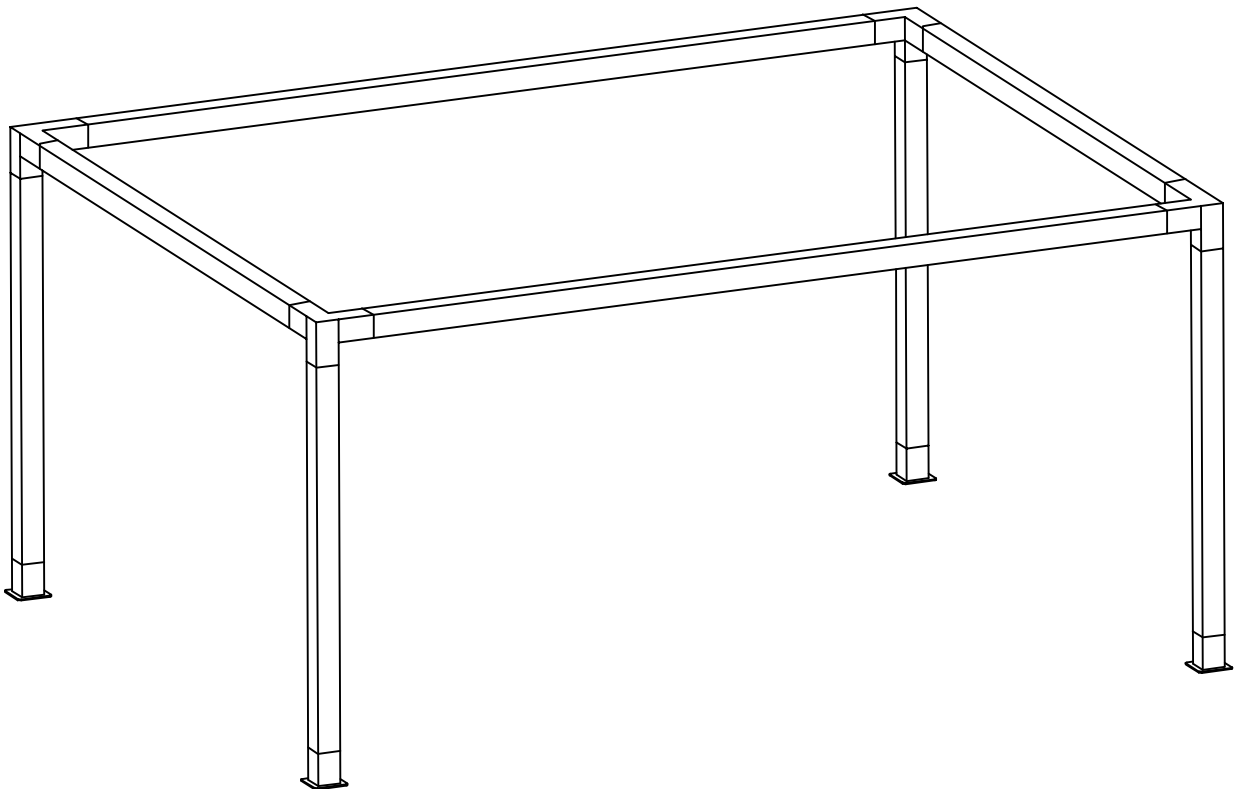
x20



I10 : 20 PCS



× 4

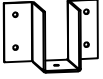


Email:  
[service@brzpatio.com](mailto:service@brzpatio.com)

# PRODUCT ASSEMBLY

## STEP 7

x8

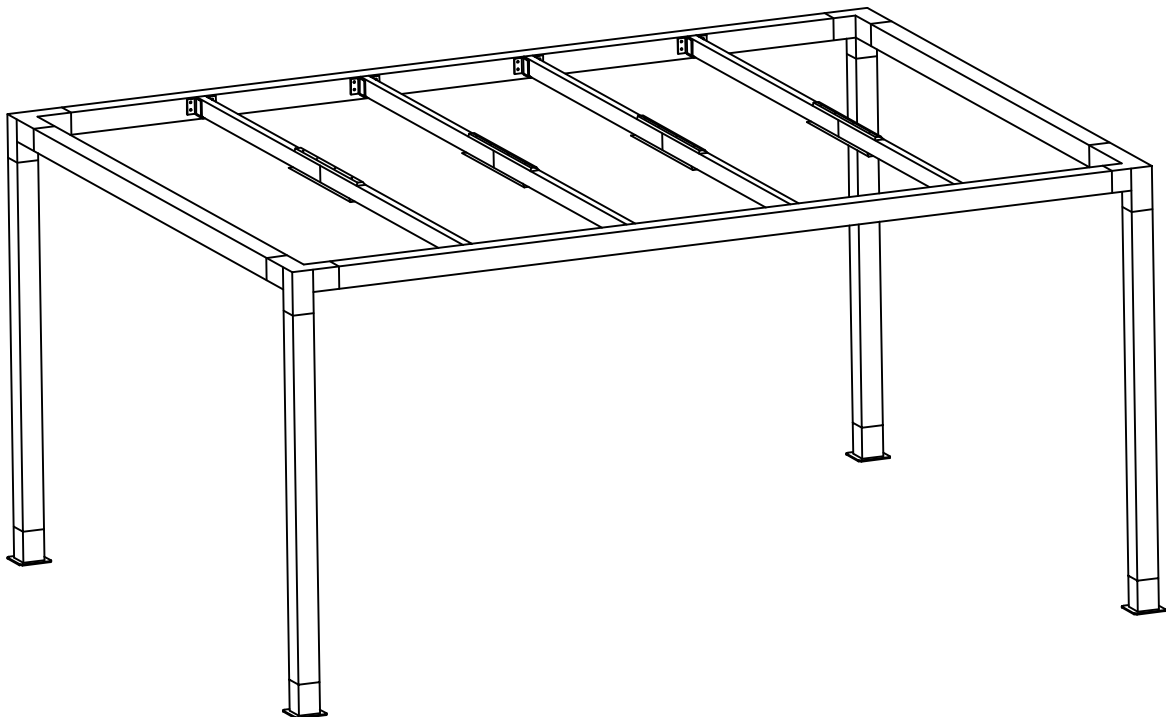
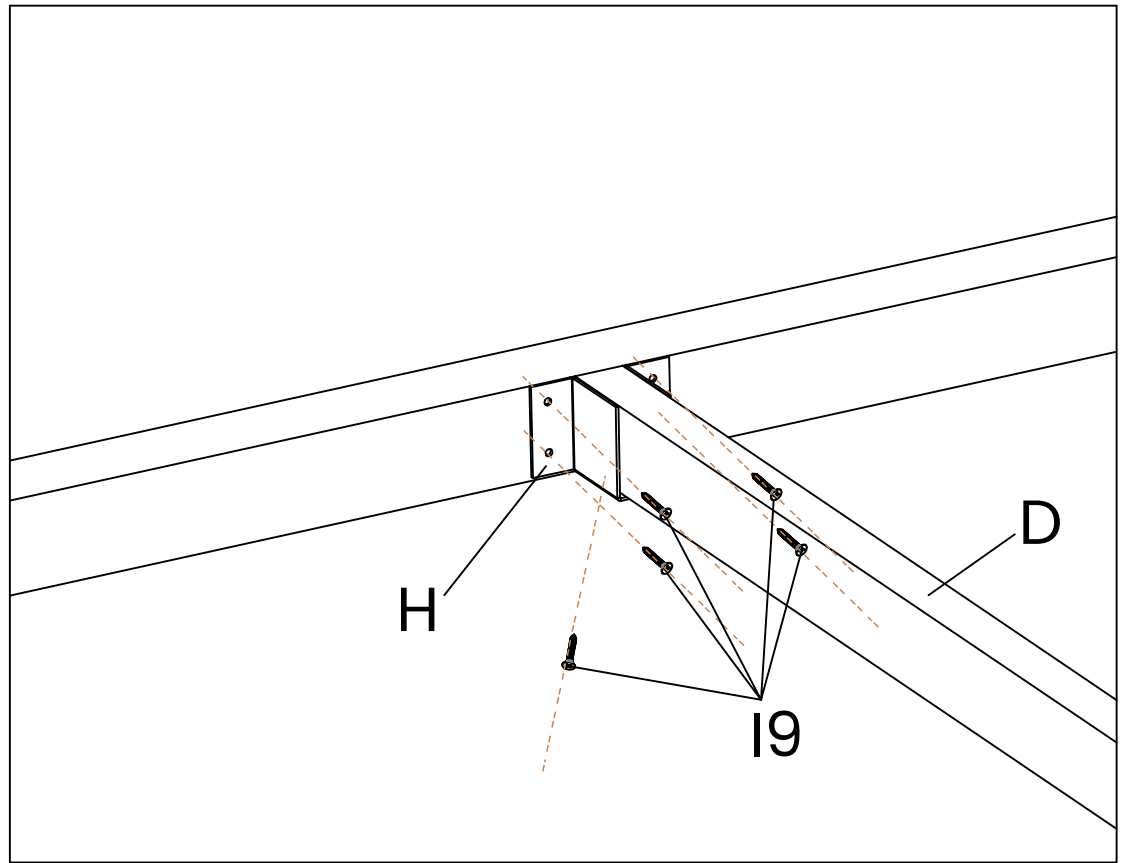


H: 8 PCS

x40



I9: 40PCS



Email:  
[service@brzpatio.com](mailto:service@brzpatio.com)

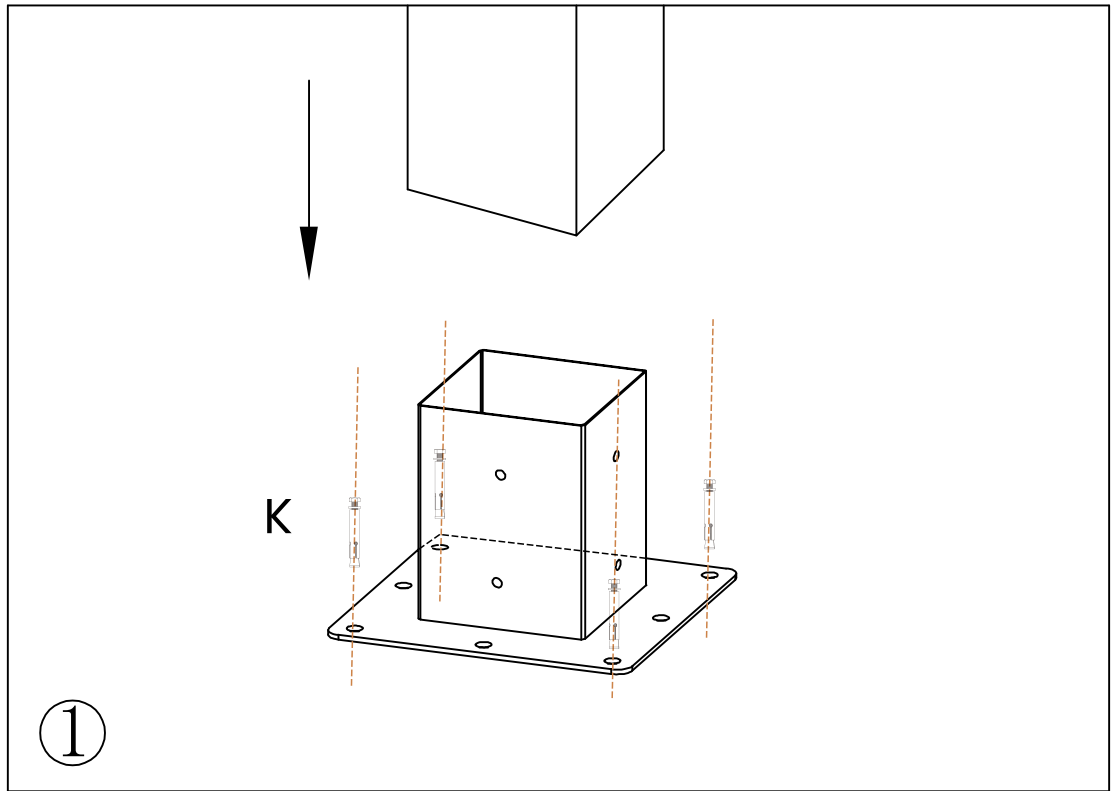
# PRODUCT ASSEMBLY

## STEP 8

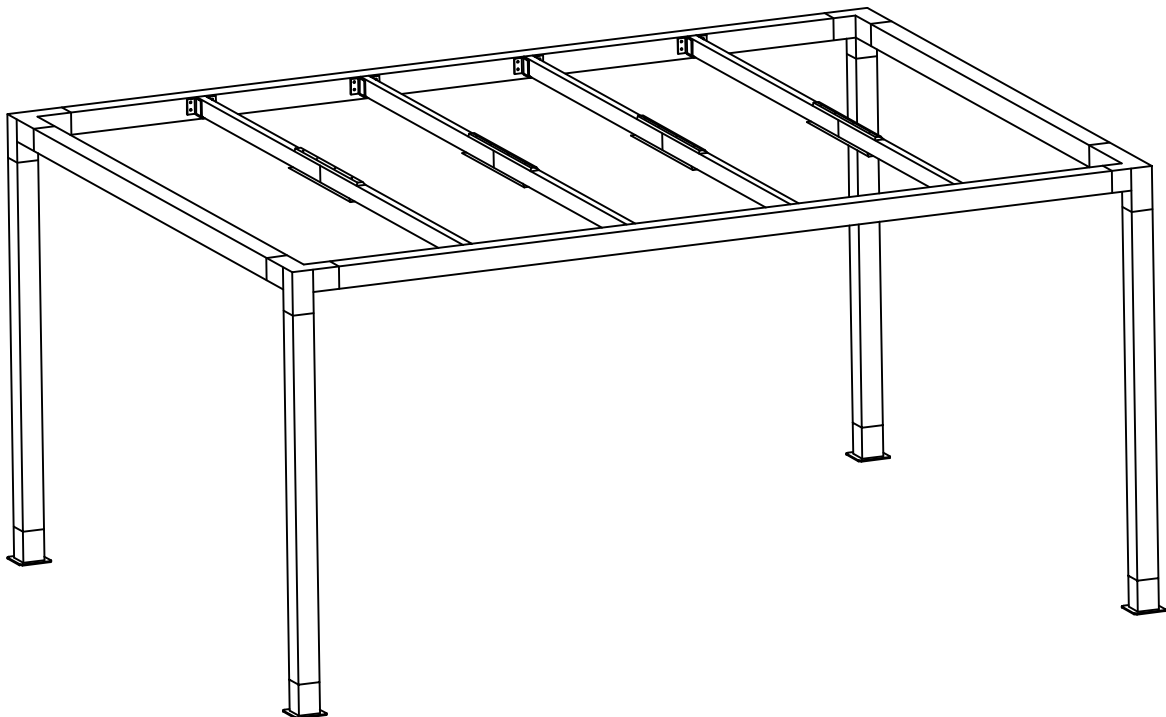
x16



K : 16 PCS



×4



Email:  
[service@brzpatio.com](mailto:service@brzpatio.com)