

NEW 72" BLADE LENGTH

NEW BLADE FINISHES

264 POSSIBLE VARIATIONS

Irene-3H

Organic Charm and Contemporary Sophistication

The Irene-3H three solid wood blades—offered in rich walnut, light maple, gray ash, barn wood, and sleek matte finishes—are beautifully joined, creating a striking balance of natural texture and modern design. A cylindrical motor housing enhances its clean, minimalist profile, allowing it to blend effortlessly into any space. Expertly crafted from cast aluminum and heavy stamped steel, the Irene-3H is as durable as it is refined, a timeless addition backed by a limited lifetime warranty.





Shown: [] Textured Bronze Finish, with 60" Walnut Tone Blades



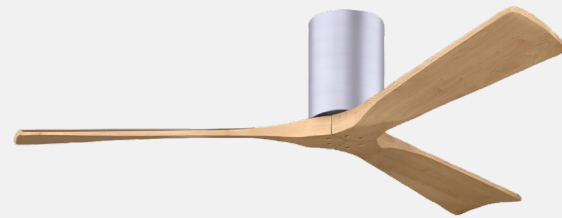
[] Polished Chrome Finish, with 42" Matte Black Blades



[] Brushed Brass Finish, with 52" Gray Ash Tone Blades



[] Brushed Pewter Finish, with 60" Matte White Blades



[] Brushed Nickel Finish, with 60" Light Maple Tone Blades



[] Walnut Tone Finish, with 72" Walnut Tone Blades



[] Light Maple Tone Finish, with 72" Matte White Blades

PRODUCT FEATURES

- DC Motor
- Wall Control
- Silent Motor
- Damp Location
- Handheld Remote

FAN FEATURES

- Blades (3)**
 - 15° Pitch
 - CNC Cut Solid Wood
- Overall Drop** 10in / 25cm
- Fan Weight** 11 lbs
- Fan Diameter** inches: 42, 52, 60, or 72 / centimeters: 107, 132, 152, or 183
- Voltage** 110 or 220

MOTOR FEATURES

- Motor Type** DC
- Ambience** Silent
- Safety Certification** ETL / CETL
- Warranty** Limited Lifetime

DOE MOTOR EFFICIENCY DATA

- | | |
|-------------------------------------|-------------------|
| RPM (Low/High) | |
| 42in - 50 / 267 | |
| 52in - 50 / 189 | |
| 60in - 50 / 151 | |
| 72in - 50 / 109 | |
| CFM (Low/High) | |
| 42in - 766 / 4633 | |
| 52in - 1394 / 5863 | |
| 60in - 1868 / 6092 | |
| 72in - 2674 / 6085 | |
| Watts (High) CFM/Watt (High) | |
| 42in - 28.38 | 42in - 154 |
| 52in - 30.16 | 52in - 194 |
| 60in - 30.51 | 60in - 208 |
| 72in - 30.47 | 72in - 208 |

STANDARD EQUIPMENT



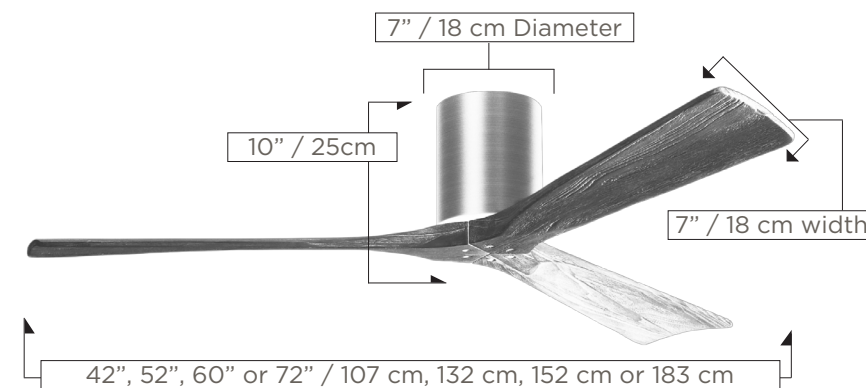
- Handheld Remote**
- 6 Speed
 - Motor Off
 - Reverse



- Wireless Wall Control**
- 6 Speed
 - Motor Off
 - Reverse

*For more information see accessory page. 132

TECHNICAL SPECIFICATIONS



SKU BUILDER

FAN FINISHES

- Barn Wood Tone
- Brushed Brass
- Brushed Bronze
- Brushed Nickel
- Brushed Pewter
- Gloss White
- Light Maple Tone
- Matte Black
- Matte White
- Walnut Tone
- Polished Chrome
- Textured Bronze
- Walnut Tone