

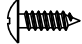



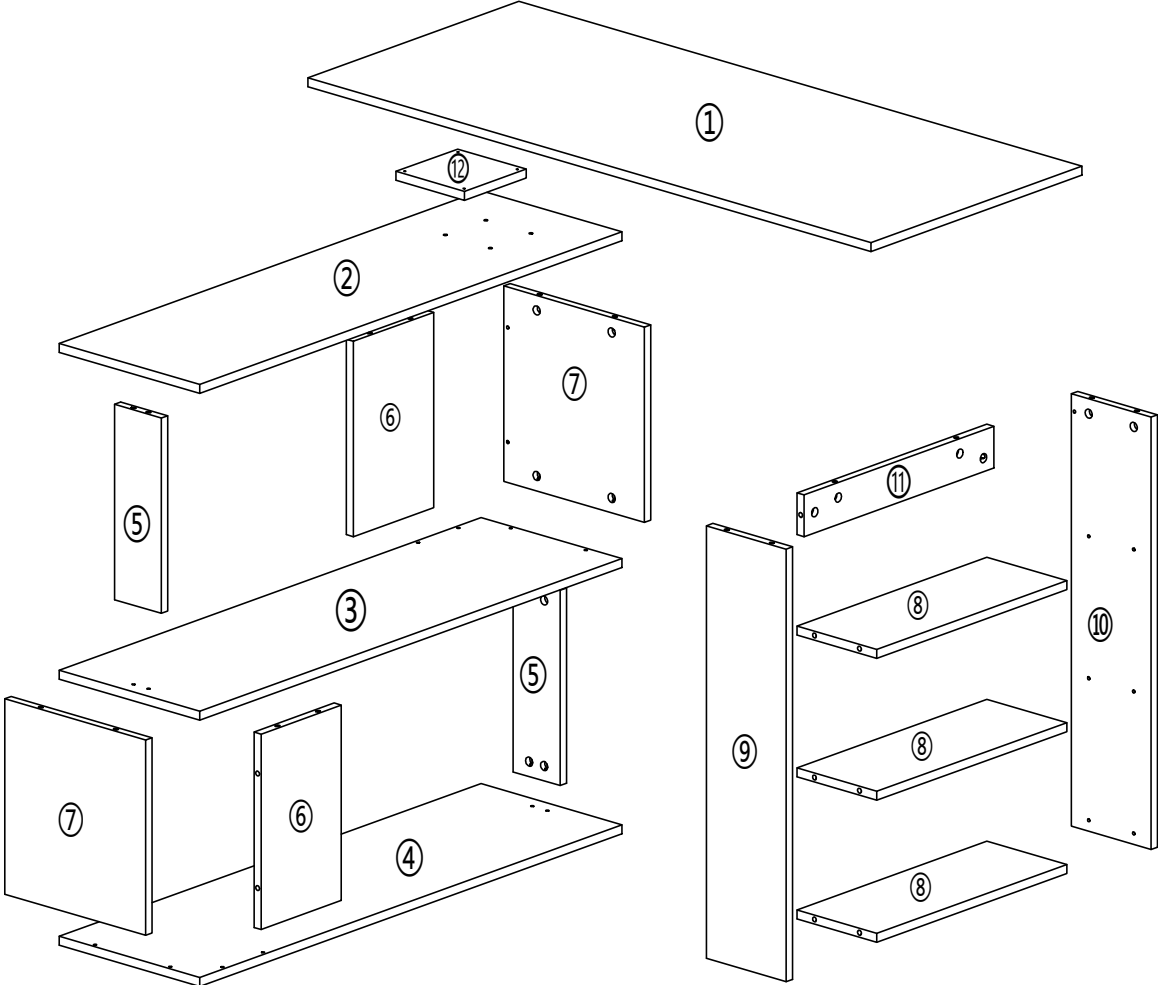


No.	LINEDRAWING	QTY	
A		50	F 7*31
B		50	F 15*11
C		10	F 4*12
G		1	
H		4	F 6*25
L		10	

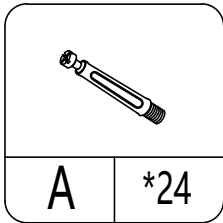
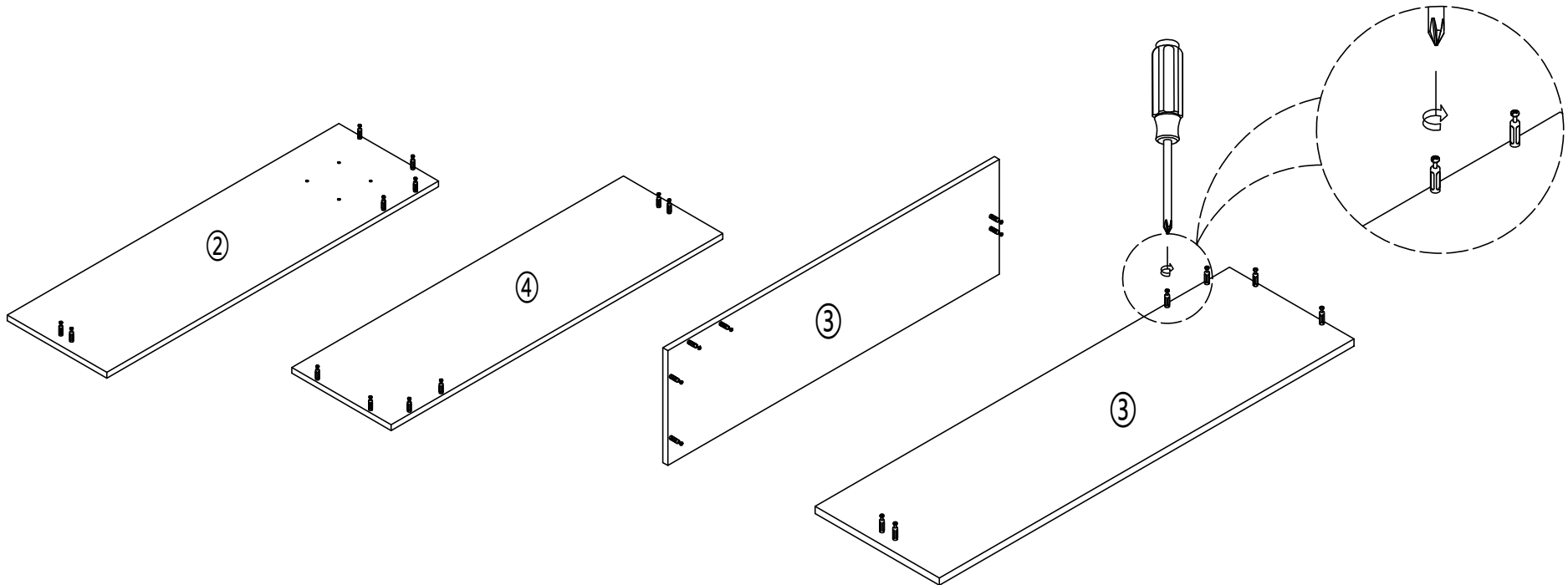
PARTS LIST



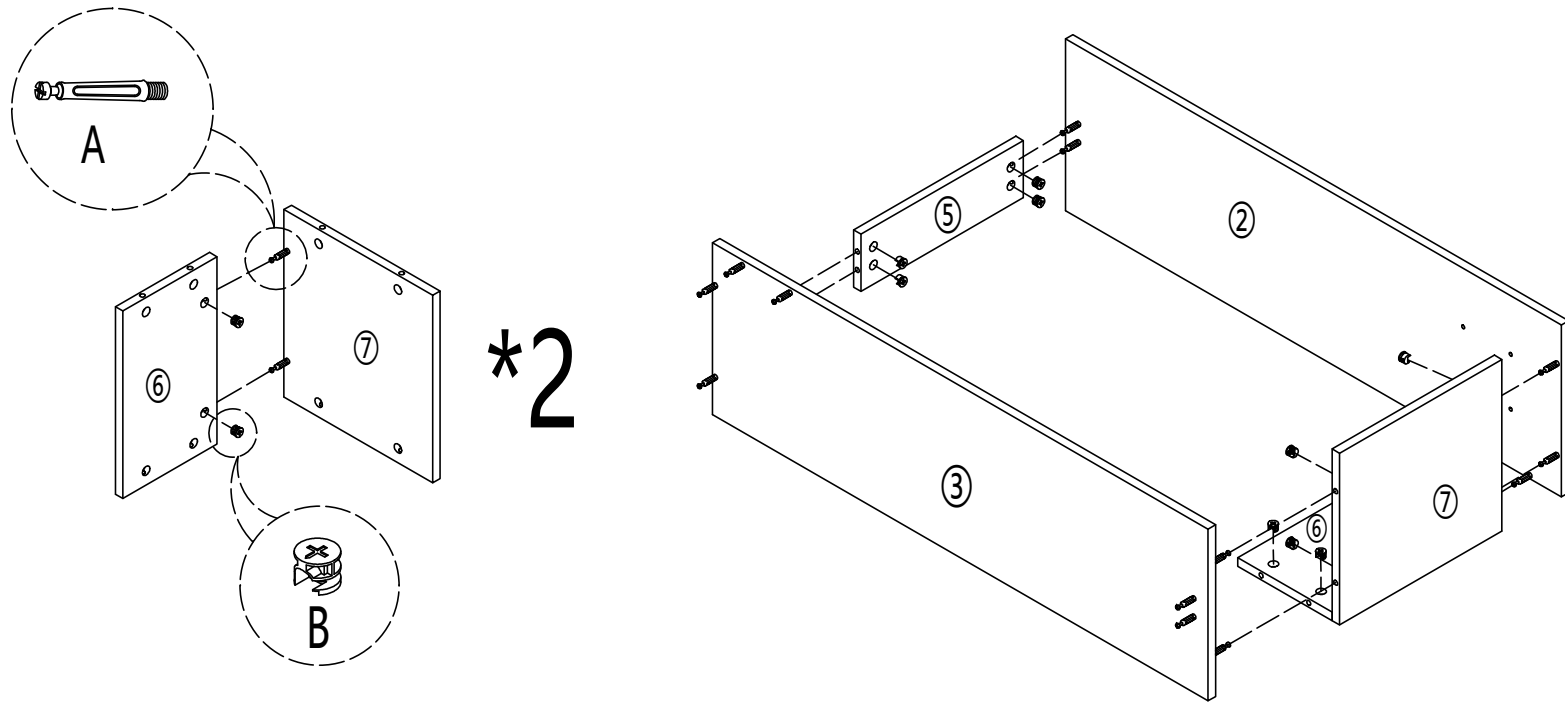
NO.	QTY.
①	1
②	1
③	1
④	1
⑤	2
⑥	2
⑦	2
⑧	3
⑨	1
⑩	1
⑪	1
⑫	1

1

-Rotate the bolt (A) into the laminate (2&3&4) as shown below.



-Connect the vertical plates (6&7) and assemble the other in the same way, as shown below.
 -Connect the laminate (2&3) to the vertical laminate (5&6&7) as shown below.

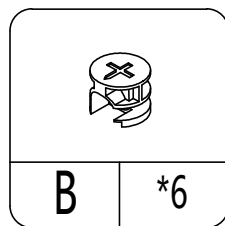
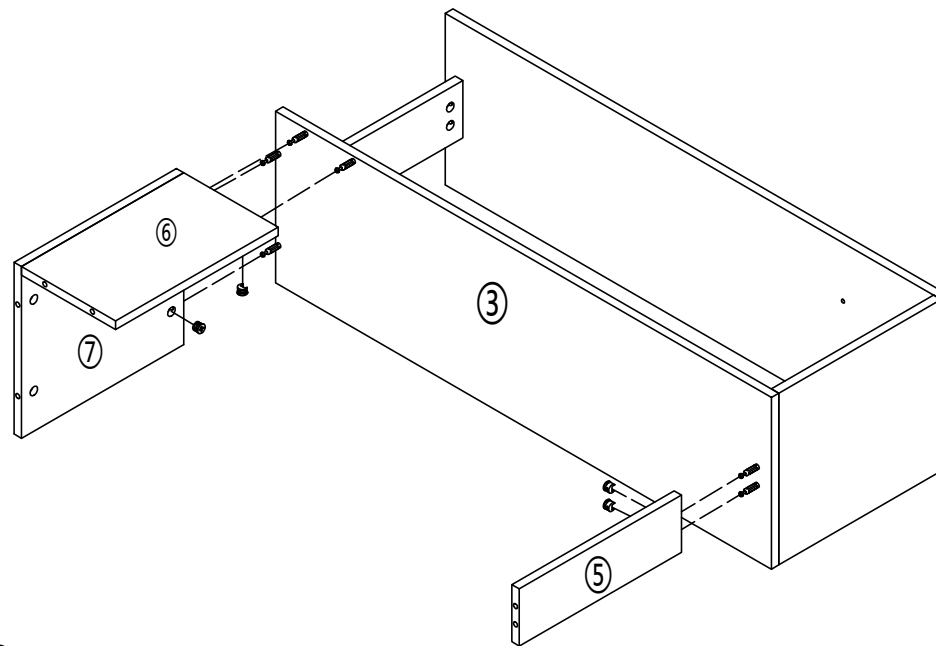


*2

A	*4	B	*16

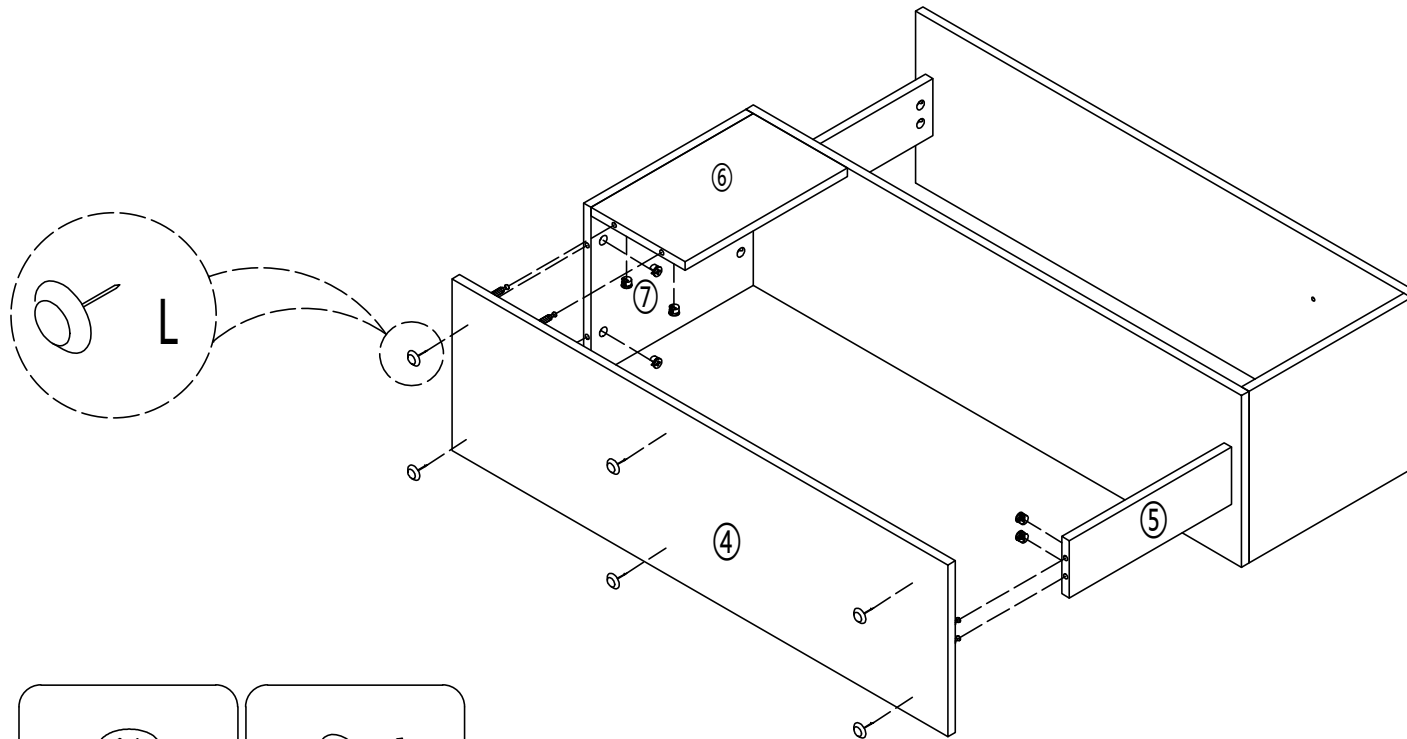
3



-Connect the laminate (3) to the vertical laminate (5&6&7), as shown below.



4

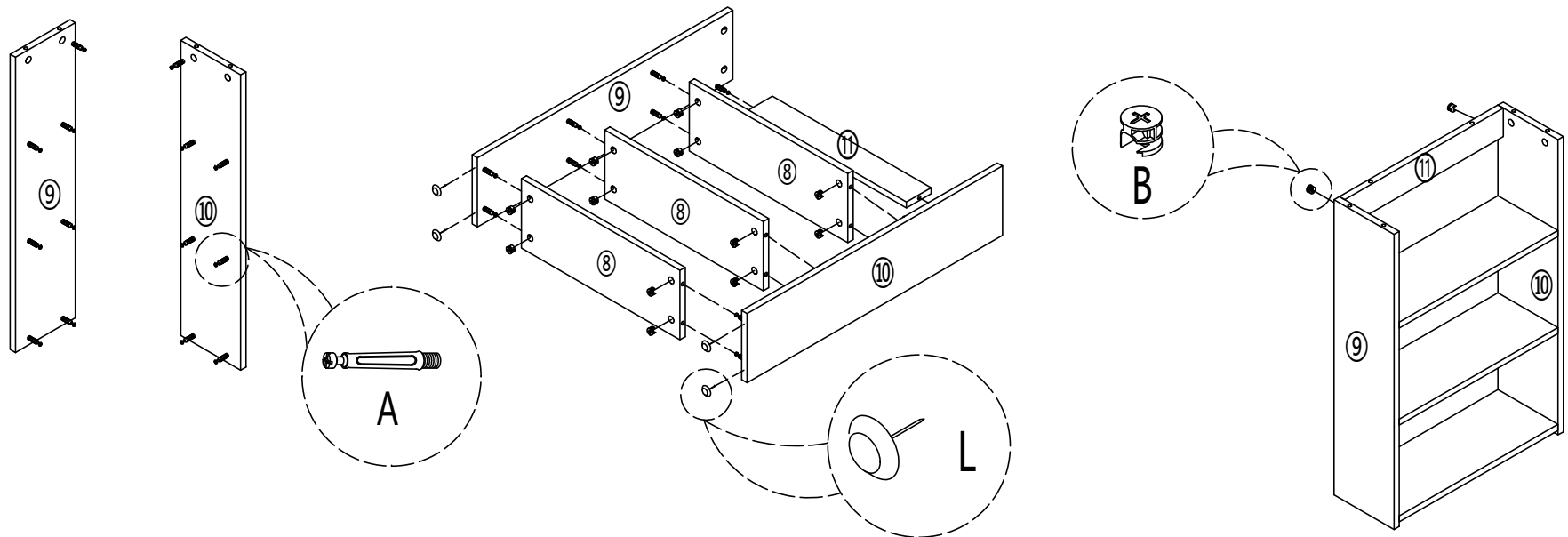
-Connect the laminate (4) to the vertical laminate (5&6&7), as shown below.
-Hammer the foot nail (L) into the laminate (4) as shown below.

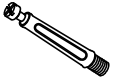




	
B *6	L *6

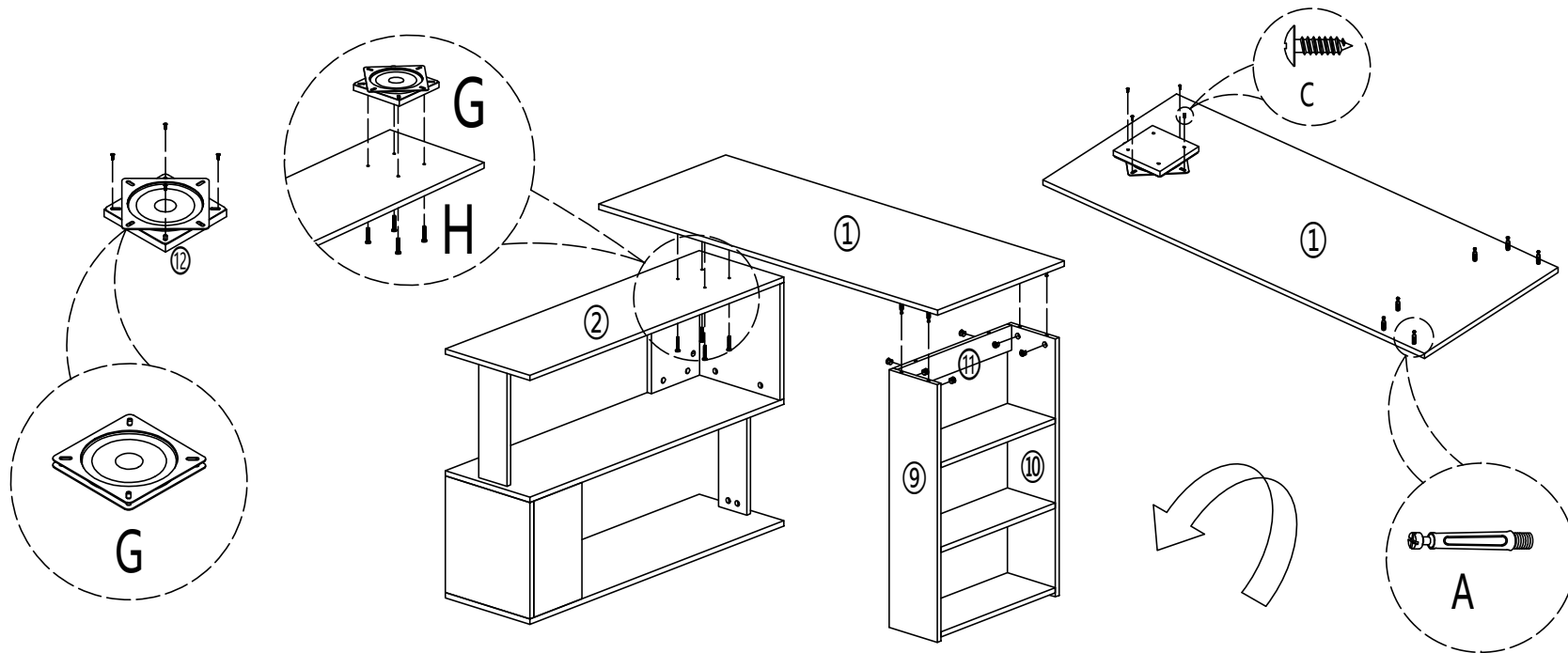
5

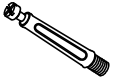

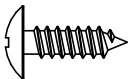
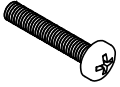
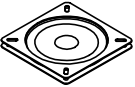
- Rotate the bolt (A) into the vertical plate (9&10) as shown below.
- Connect the vertical plate (9&10) and (8&11), as shown below.
- Hammer the foot nail (L) into the vertical board (9&10), as shown below.



					
A	*14	B	*14	L	*4

-Attach the turntable (G) to (12) as shown below.
 -Rotate the bolt (A) into panel (1) and attach the turntable (G) to panel (1) as shown below.
 -Connect panel (1) to (9&10&11) and bolt (H) through laminates (2) to panel (1) as shown below.



				
A	*6	C	*8	G
			H	*4
				*1

7

-Complete the chart

