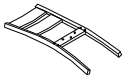








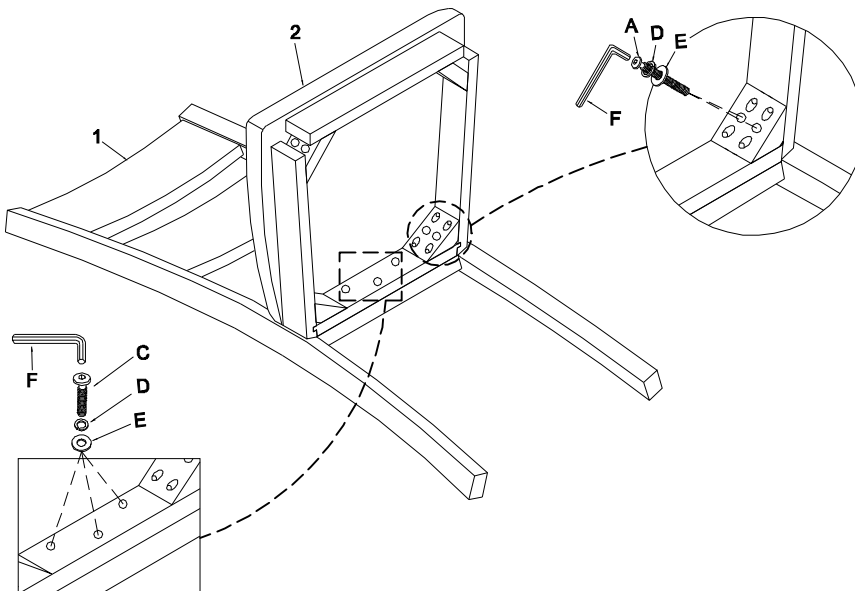


ASSEMBLY INSTRUCTION

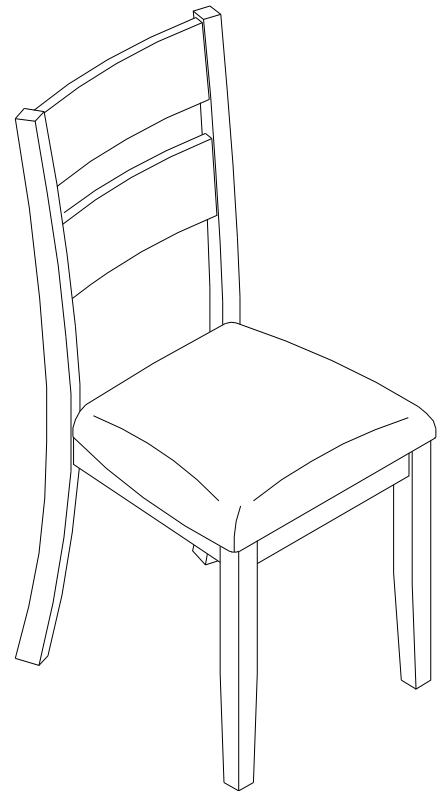
SIDE CHAIR

PART LIST				HARDWARE LIST			
1	Chair Back		1pc	A		Bolt $\phi 1/4"$ x 3"L	4pcs
2	Seat Frame With Cushion		1pc	B		Bolt $\phi 1/4"$ x 2-3/8"L	4pcs
3	Front leg LSF/RSF		2pcs	C		Bolt $\phi 1/4"$ x 1-1/2"L	3pcs
				D		Lock Washer ($\phi 1/4"$)	11pcs
				E		Flat Washer ($\phi 1/4"$)	11pcs
				F		Allen Key (4mm)	1pc

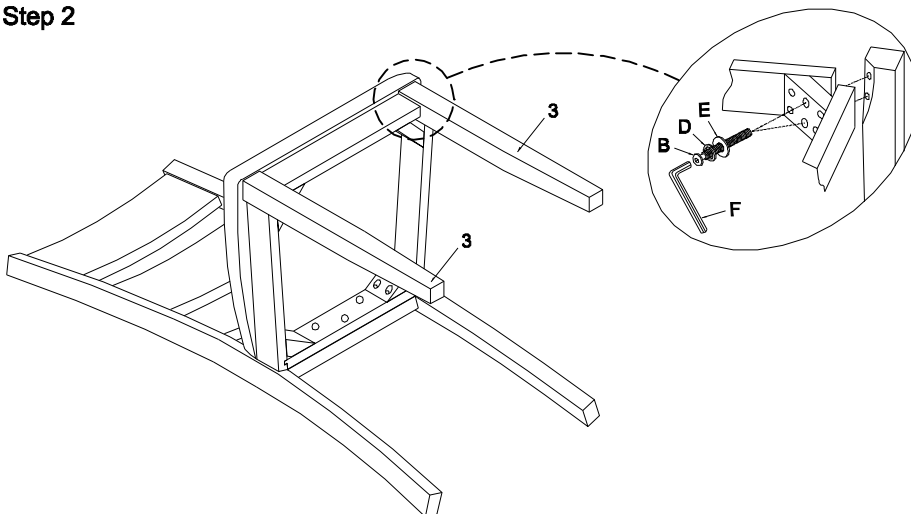
Step 1



Completed



Step 2



For items use on wooden floor, hard surfaces or carpets, it is recommended to Install protective pads under all legs and supports to avoid/prevent from damages/scratches and discoloration.