

TABLE OF CONTENTS

01	Important Safety Instructions	01	Tools Needed
----	-------------------------------	----	--------------

02	Parts List	03	Assembly
----	------------	----	----------

10	Warranty Information		
----	----------------------	--	--

IMPORTANT SAFETY INSTRUCTIONS

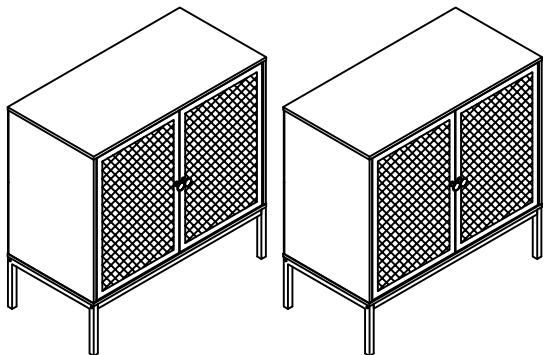
- Check if all the parts are complete before installation.
- Read through the instructions before installing the cabinet.
- Keep the small parts away from children to avoid the risk of swallowing.

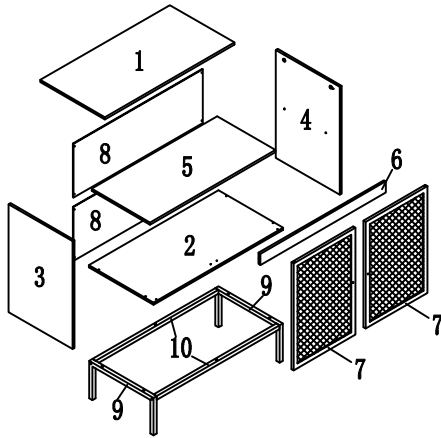
TOOLS NEEDED

Screws Driver -1PC



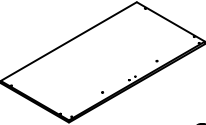
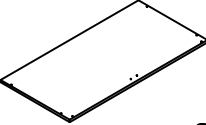
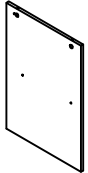
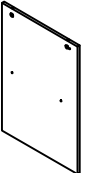
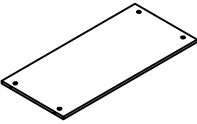
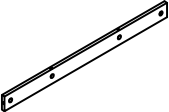
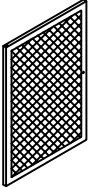
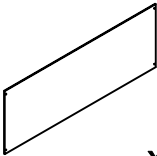
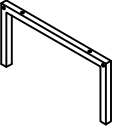
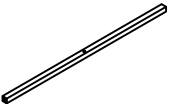
(Not included)

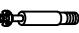


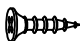


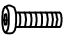


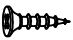









X2

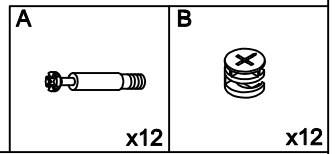
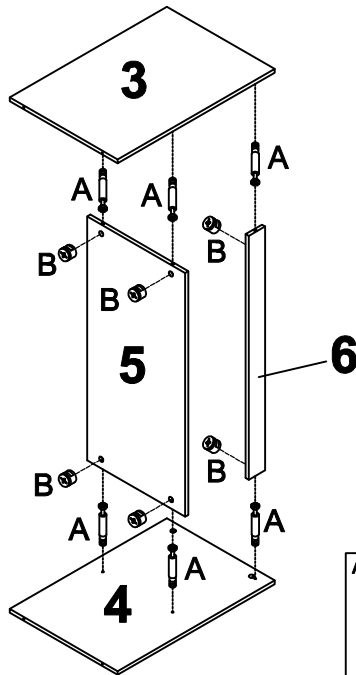
Packing List

<p>1</p>  <p>x2</p>	<p>2</p>  <p>x2</p>	<p>3</p>  <p>x2</p>	<p>4</p>  <p>x2</p>
<p>5</p>  <p>x2</p>	<p>6</p>  <p>x2</p>	<p>7</p>  <p>x4</p>	<p>8</p>  <p>x4</p>
<p>9</p>  <p>x4</p>	<p>10</p>  <p>x4</p>		

<p>A</p>  <p>x24</p>	<p>B</p>  <p>x24</p>	<p>C</p>  <p>x4</p>	<p>D M3x14</p>  <p>x8</p>	<p>E M5x40</p>  <p>x8</p>	<p>F M6x45</p>  <p>x8</p>	<p>G M6x28</p>  <p>x12</p>	
<p>H</p>  <p>x8</p>	<p>I</p>  <p>x4</p>	<p>J M3.5x12</p>  <p>x28</p>	<p>K</p>  <p>x4</p>	<p>L M4x20</p>  <p>x4</p>	<p>M</p>  <p>x8</p>	<p>N</p>  <p>x8</p>	<p>O</p>  <p>x1</p>

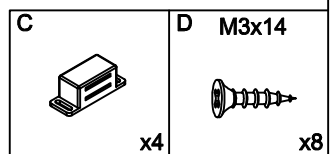
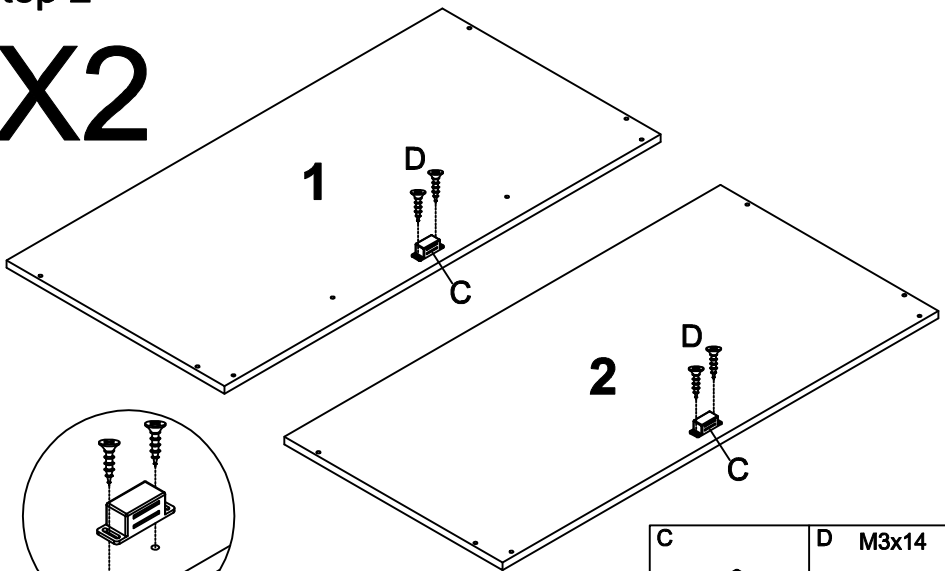
Step 1

X2



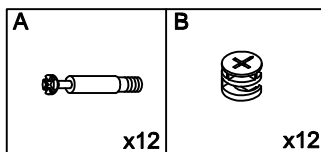
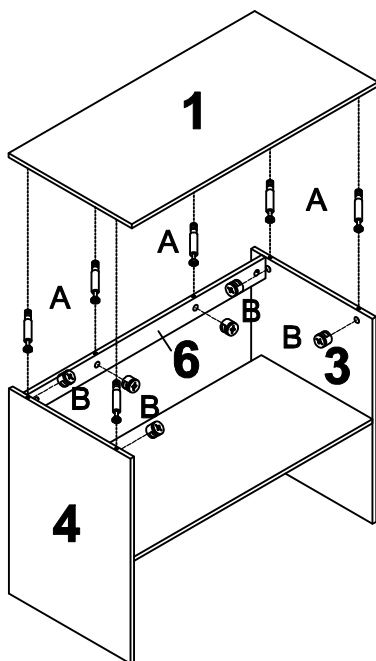
Step 2

X2



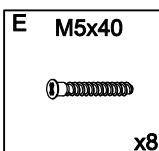
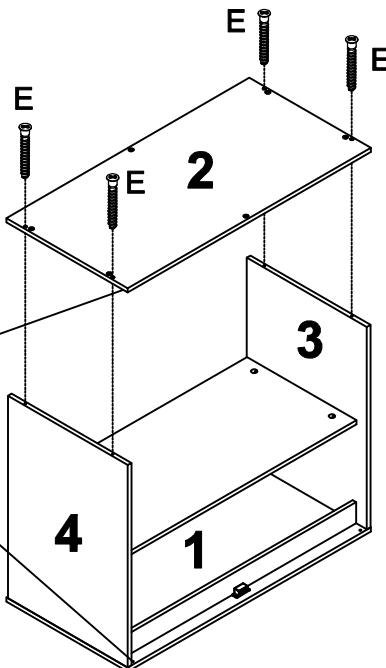
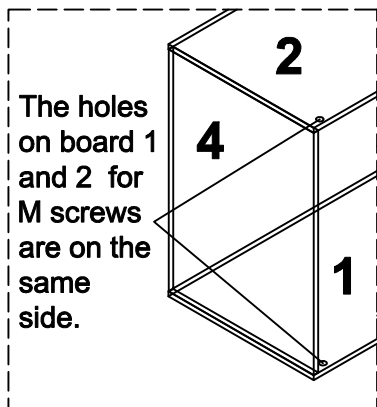
Step 3

X2

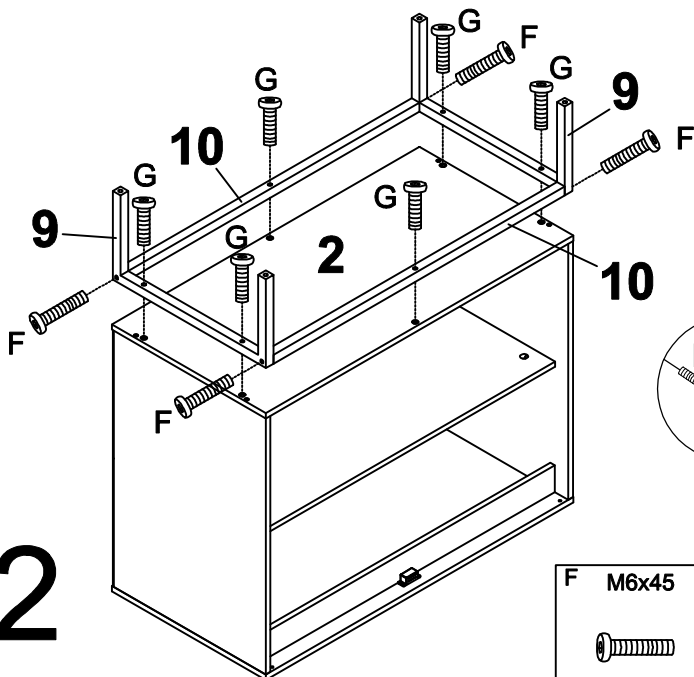


Step 4

X2



Step 5



X2

F M6x45



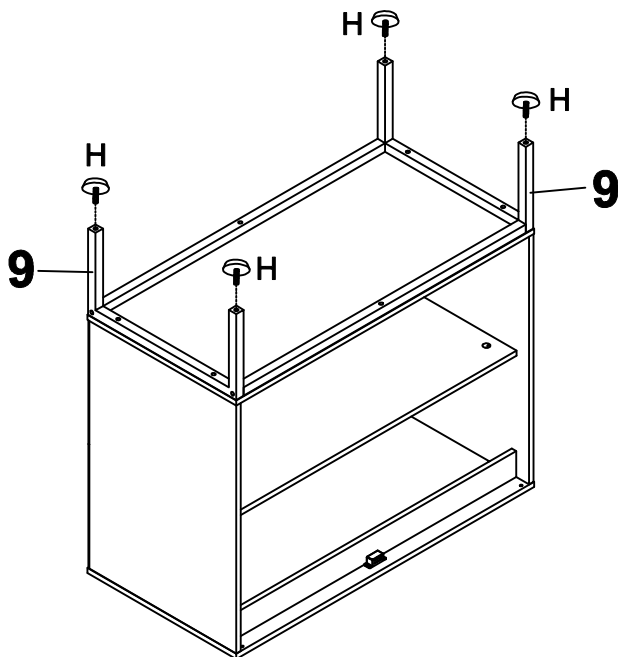
x8

G M6x28

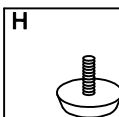


x12

Step 6

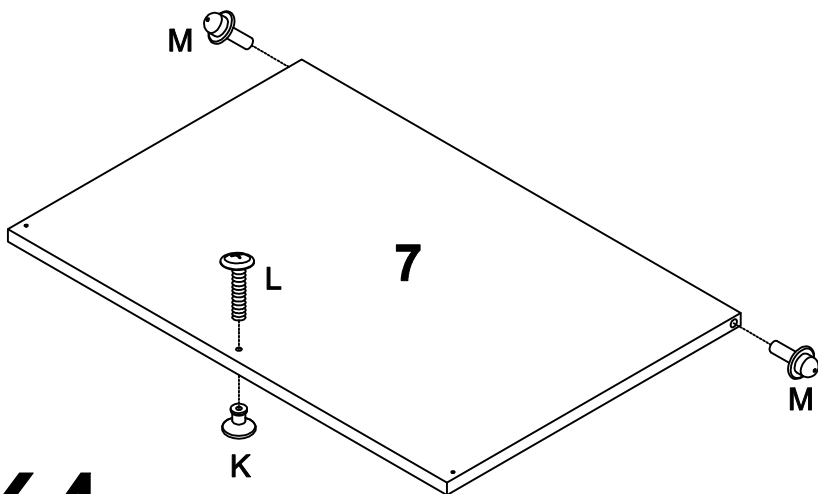


X2






x8

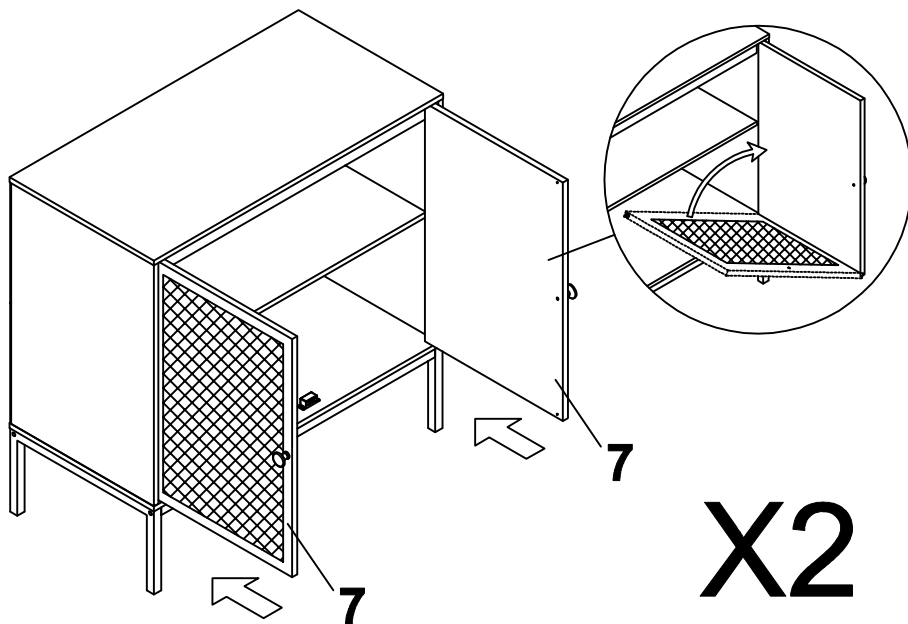
Step 7



X4

K  x4	L M4x20  x4	M  x8
---	---	--

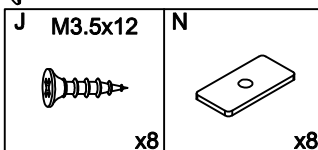
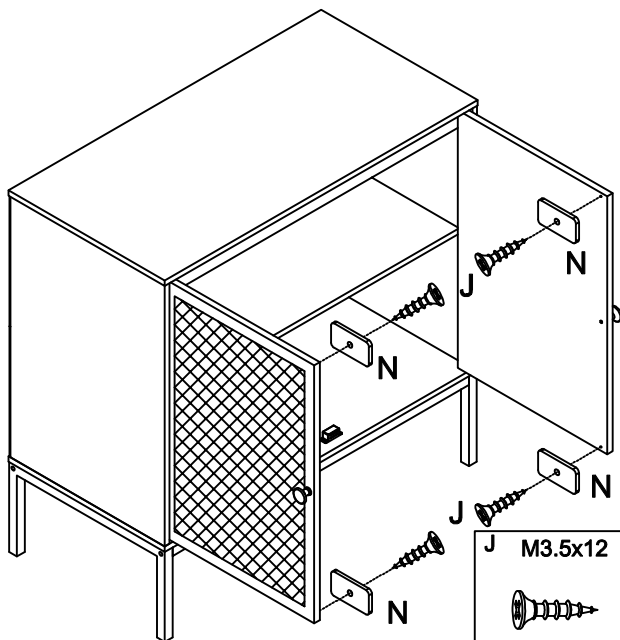
Step 8



X2

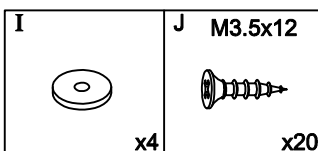
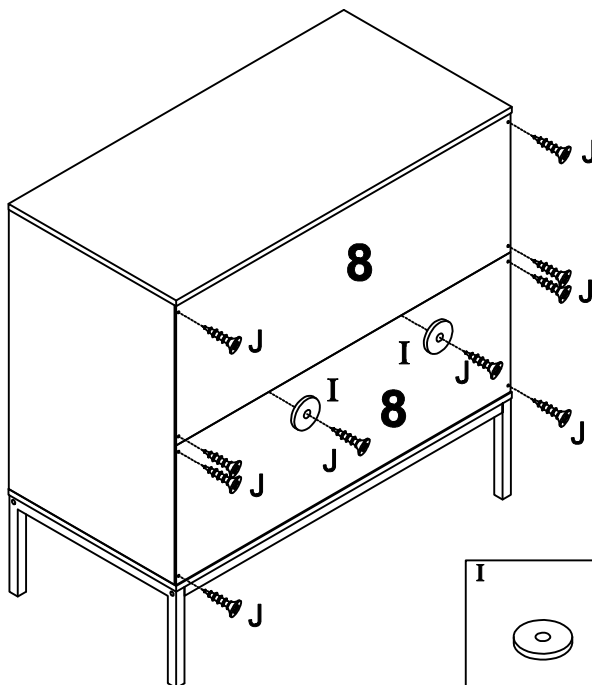
Step 9

X2

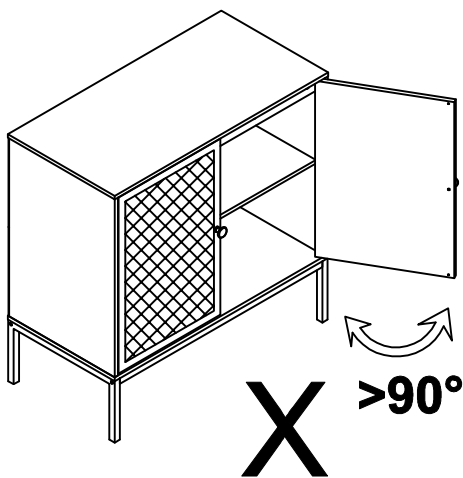
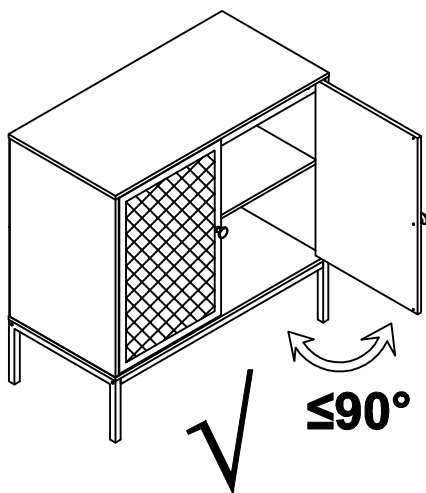
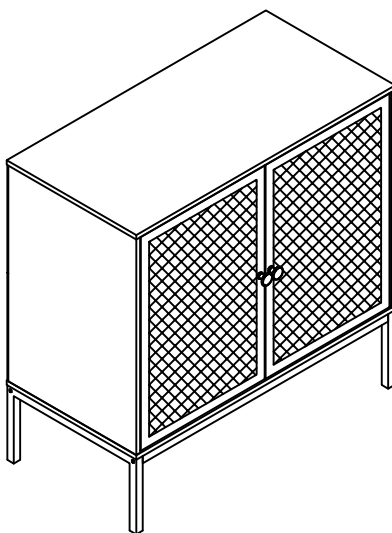
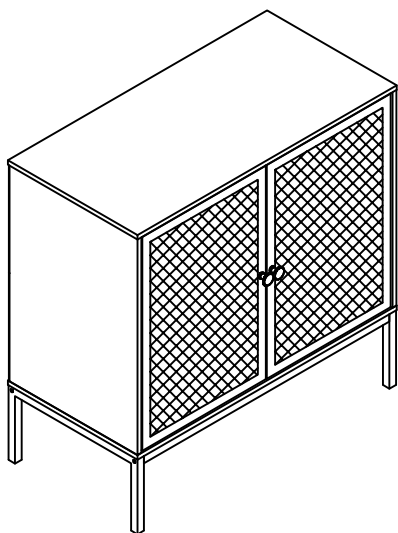


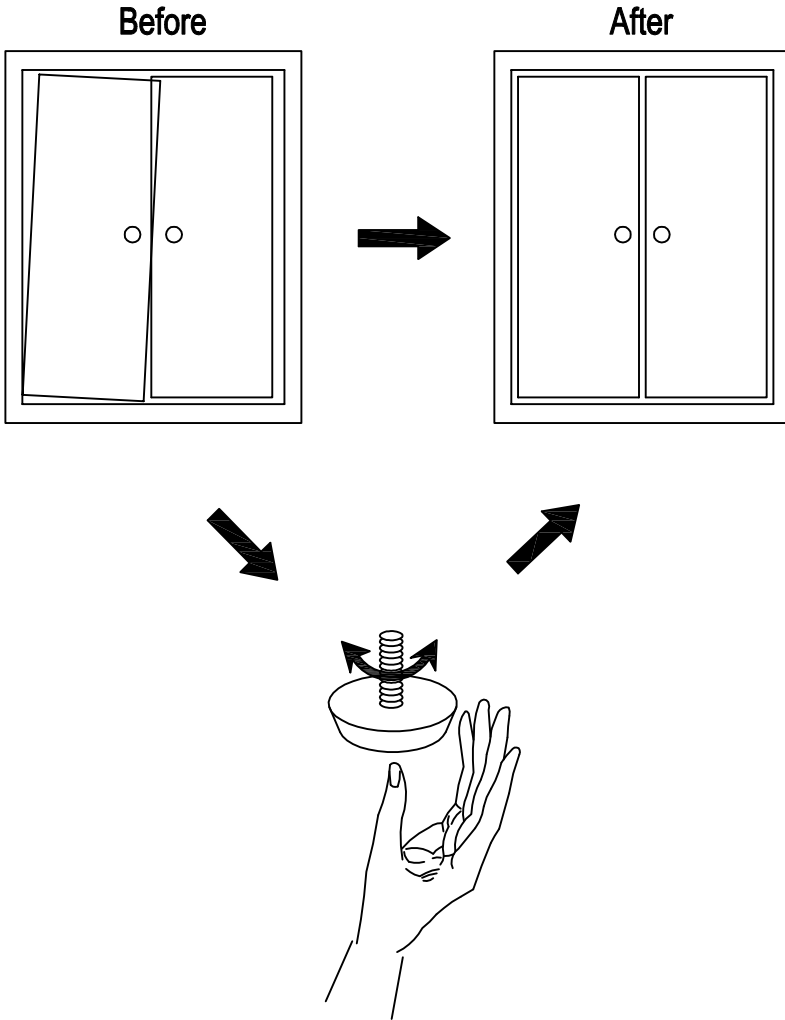
Step 10

X2



Finish !!!





Installation tips: If the height of the door is inconsistent after installation, please adjust the adjusting feet at the bottom.

WARRANTY INFORMATION

- Do not expose the surfaces to direct sunlight or to extreme environmental conditions.
- Clean the surfaces preferable with a clean damp cloth, then dry with a clean towel.
- Do not use solvents or abrasive materials to clean the unit. If you decide to use a cleaning agent, test first on an area hidden from view.
- Replacement parts might be available to you at no charge, with an original proof of purchase and where a defect has arisen, wholly or substantially, as a result of faulty manufacturing, parts or workmanship during the Warranty Period.
- The warranty does not extend to regular wear and tear, nor the manufacturer assumes liability for damages or consequences due to accidents, incorrect assembly, negligence, improper use, modifications, or not heeding the above warnings.

Thank you so much for your support! We hope you enjoy your purchase. If there is any damage or missing accessories, please feel free to contact us for free replacement or refund. You can quickly find us through this email with your order number, we will try our best to solve this problem for you !

Thank you !