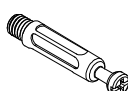

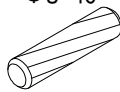
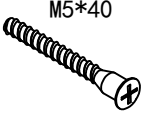
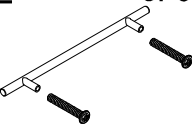
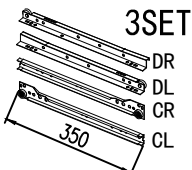

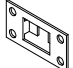
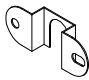
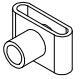

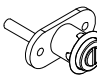
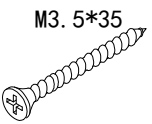

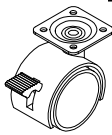
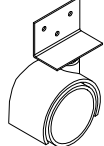
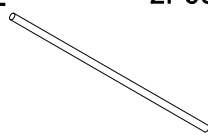
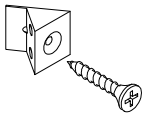



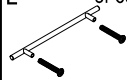
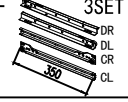

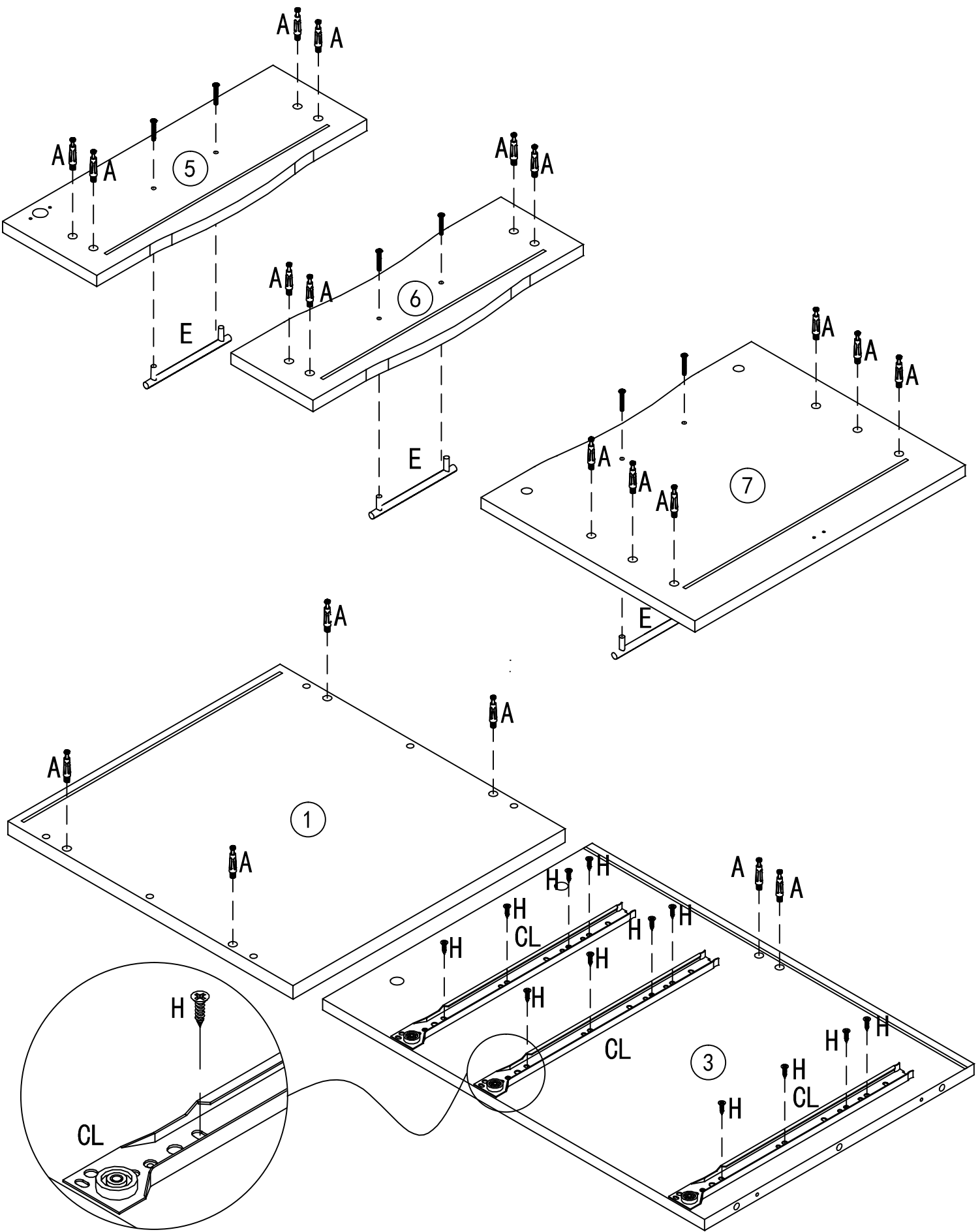


A 22PCS 	B 22PCS $\Phi 15 \times 11$ 						
C 12PCS $\Phi 8 \times 40$ 	D 4PCS $M5 \times 40$ 	E 3PCS 	F 3SET  DR DL CR CL 350	M   $M2 \times 2$  $M3 \times 3$  $M4 \times 3$  $M5 \times 3$ $M1 \times 1$  $M6 \times 1$			
G 14PCS $M3.5 \times 35$ 	H 70PCS $M3.5 \times 14$ 	J 4PCS 	K 1PCS 				
L 2PCS 	N 20PCS 	O 6PCS 	P 3PCS $M3.5 \times 18$ 				











1

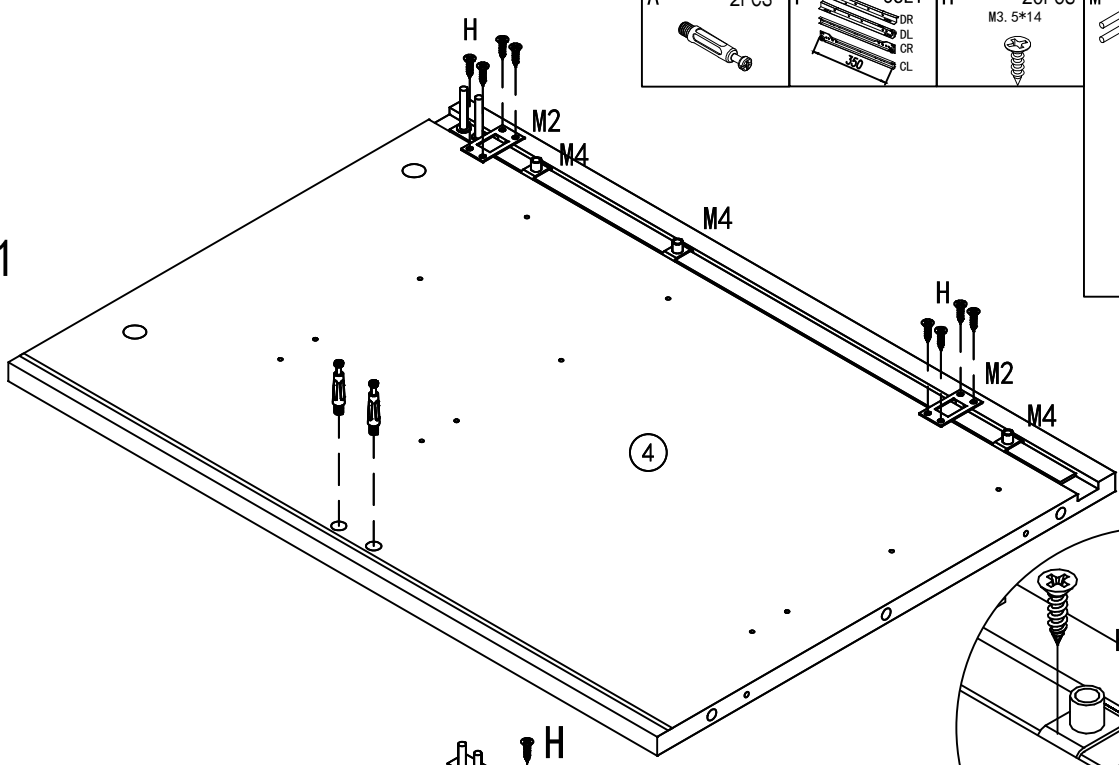
A	20PCS	E	3PCS	F	3SET	H	12PCS
							M3.5*14



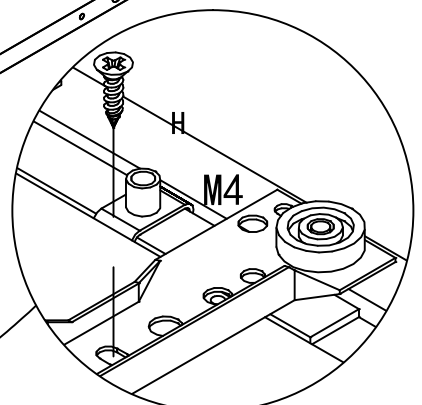
2

STEP1

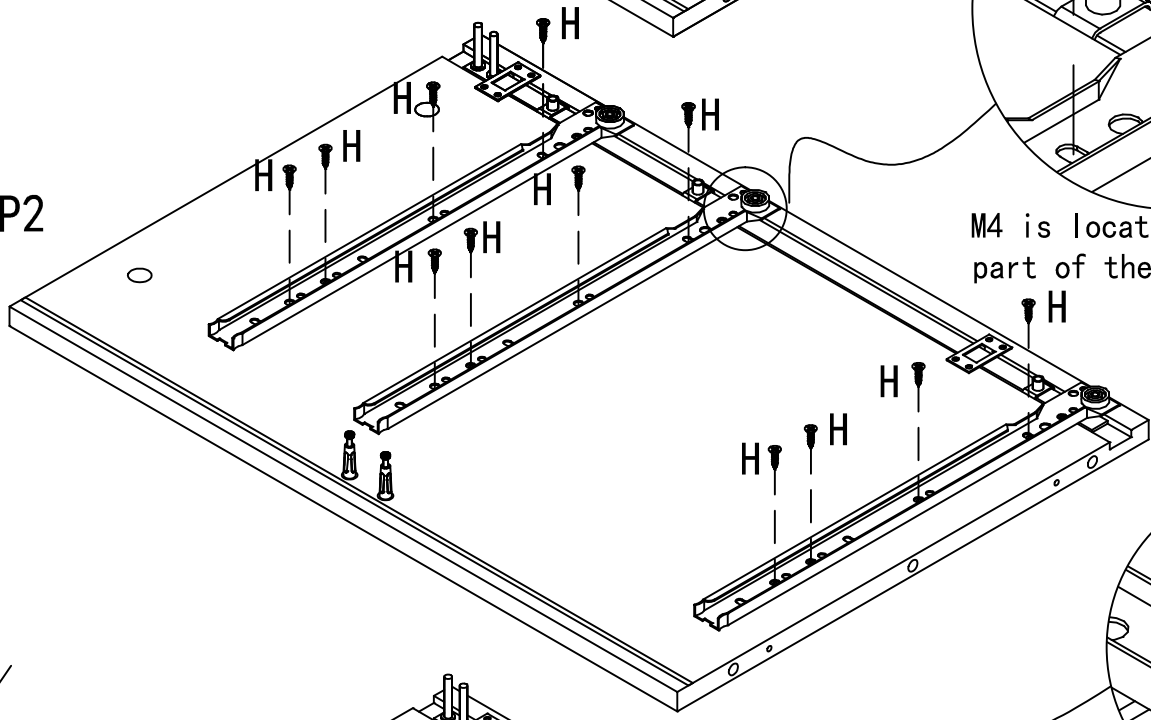
A	2PCS	F	3SET	H	20PCS	M	
					M3.5*14		 M2×2
							 M3×3
							 M4×3
							 M5×3
							 M1×1
							 M6×1



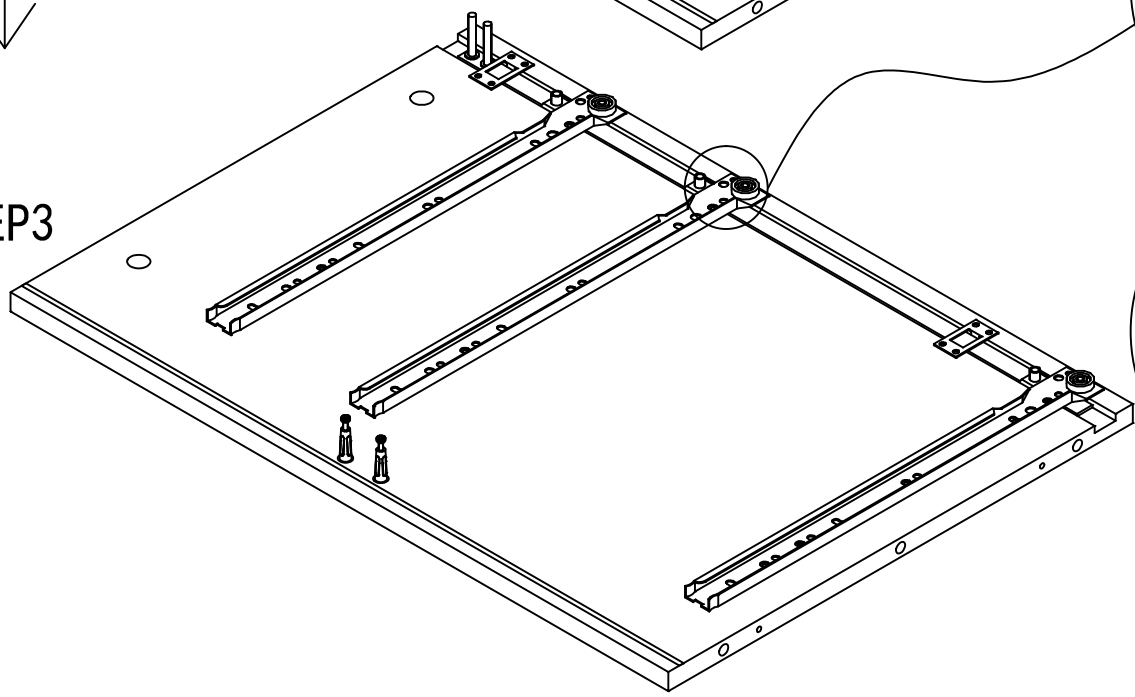
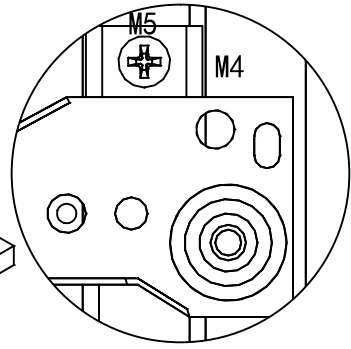
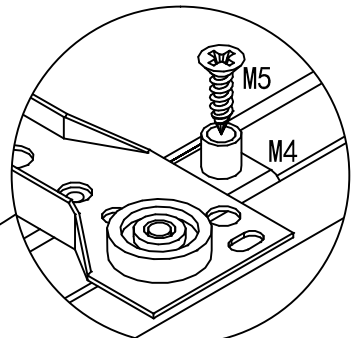
STEP2



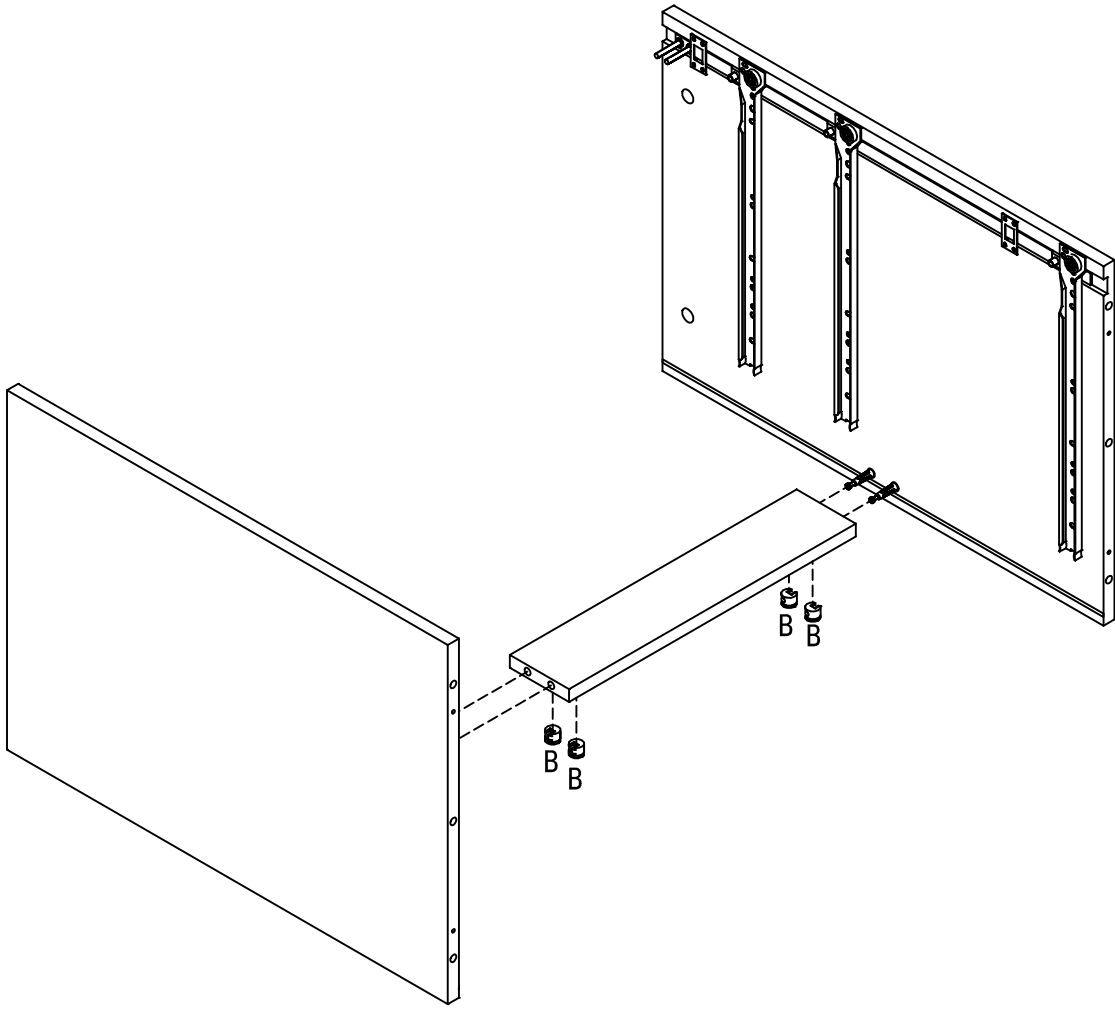
M4 is located on the upper part of the slide rail



STEP3

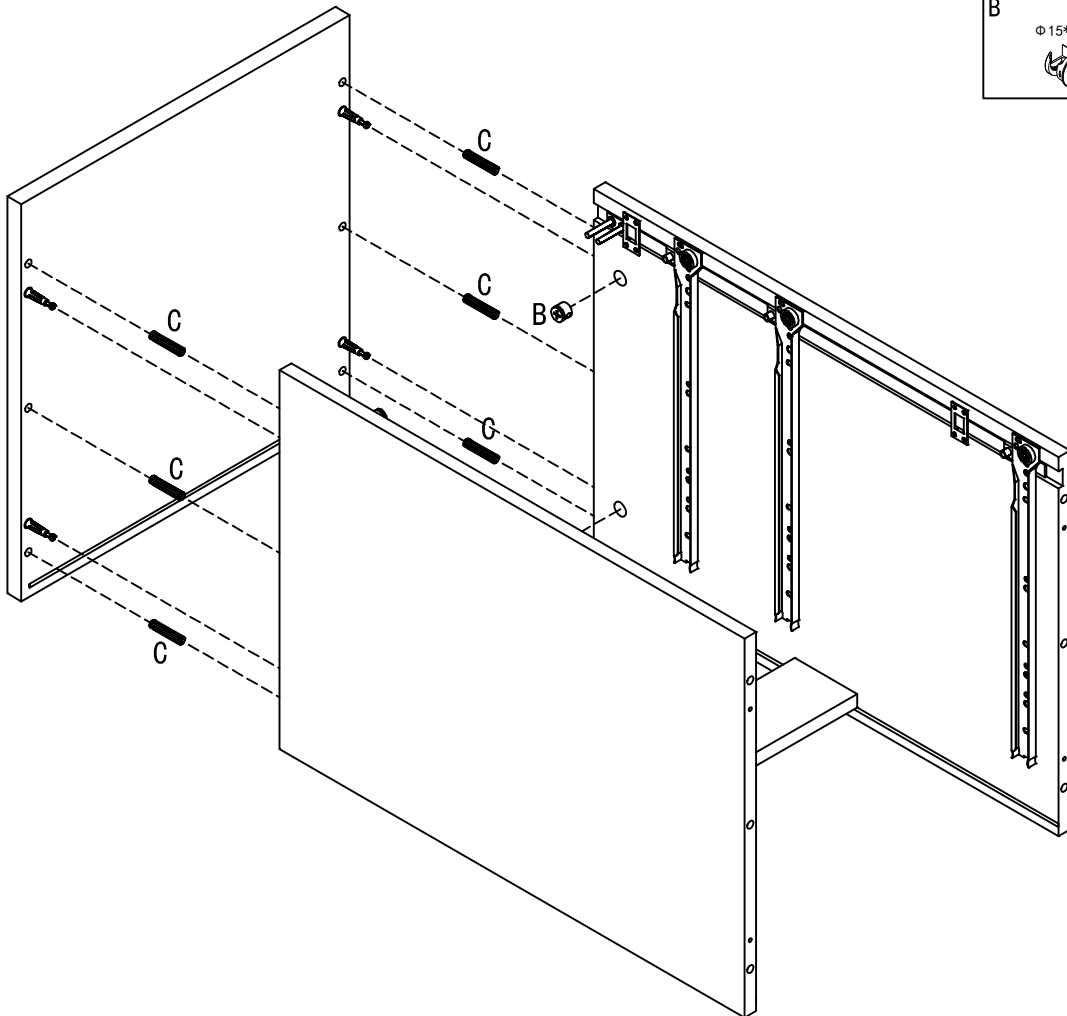


3



B 4PCS
Φ15*11

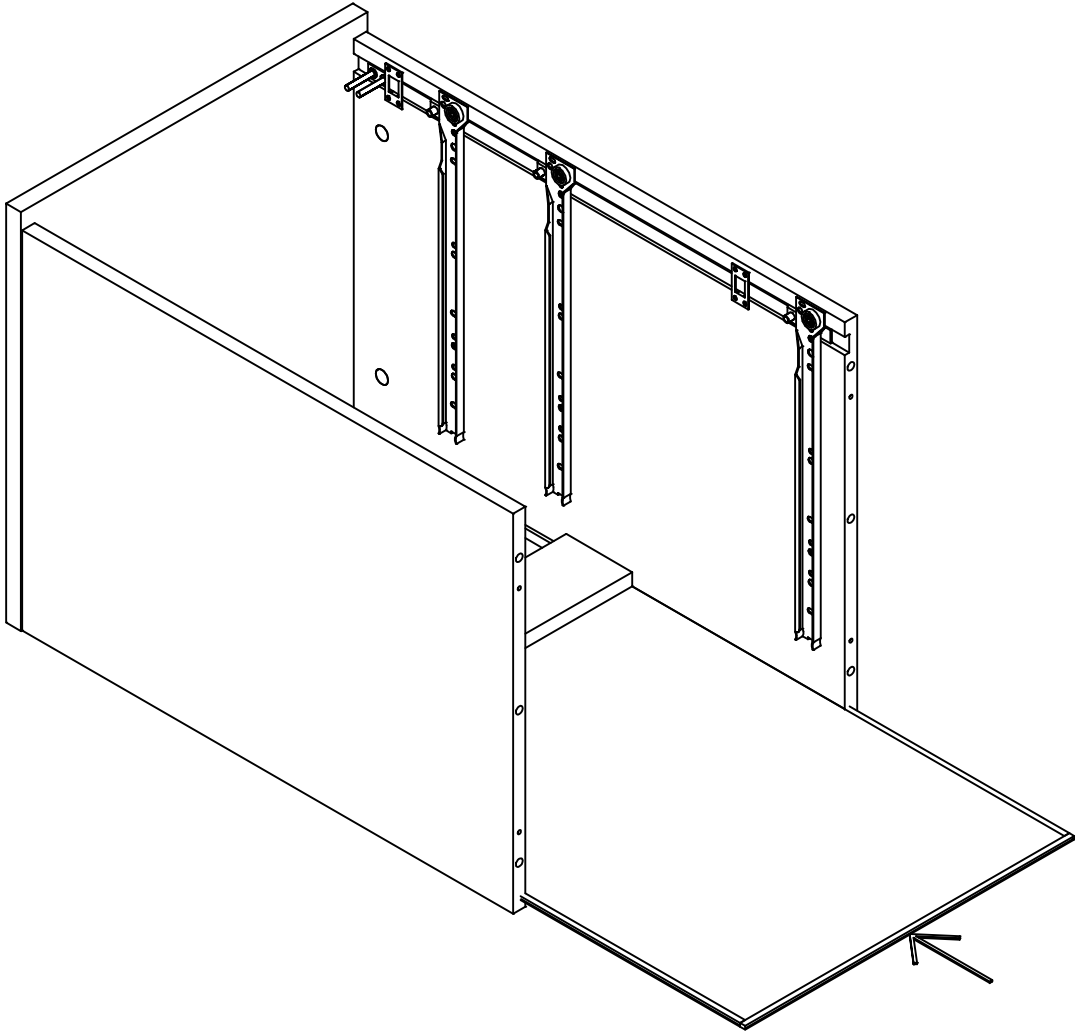
4



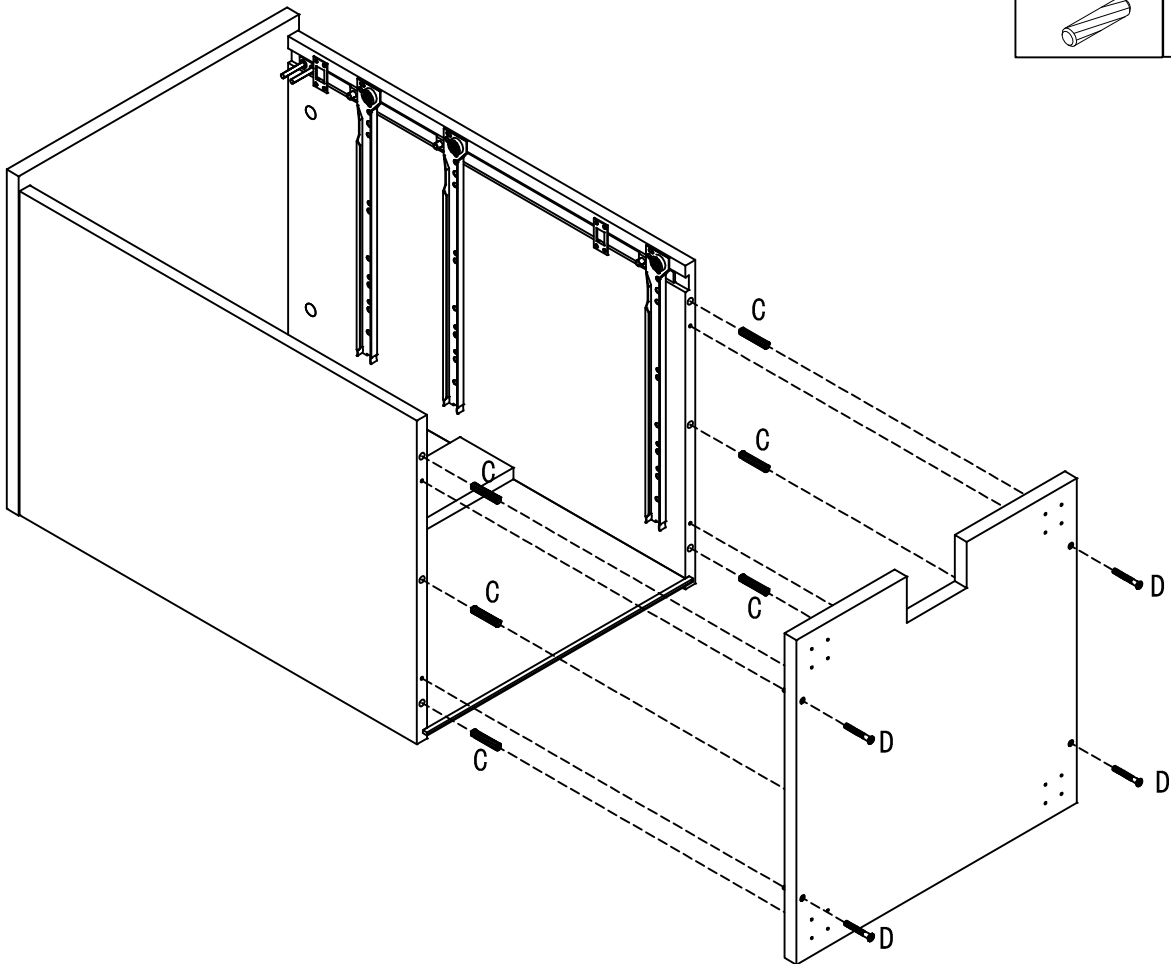
B 4PCS
Φ15*11



C 6PCS
Φ8*40

5



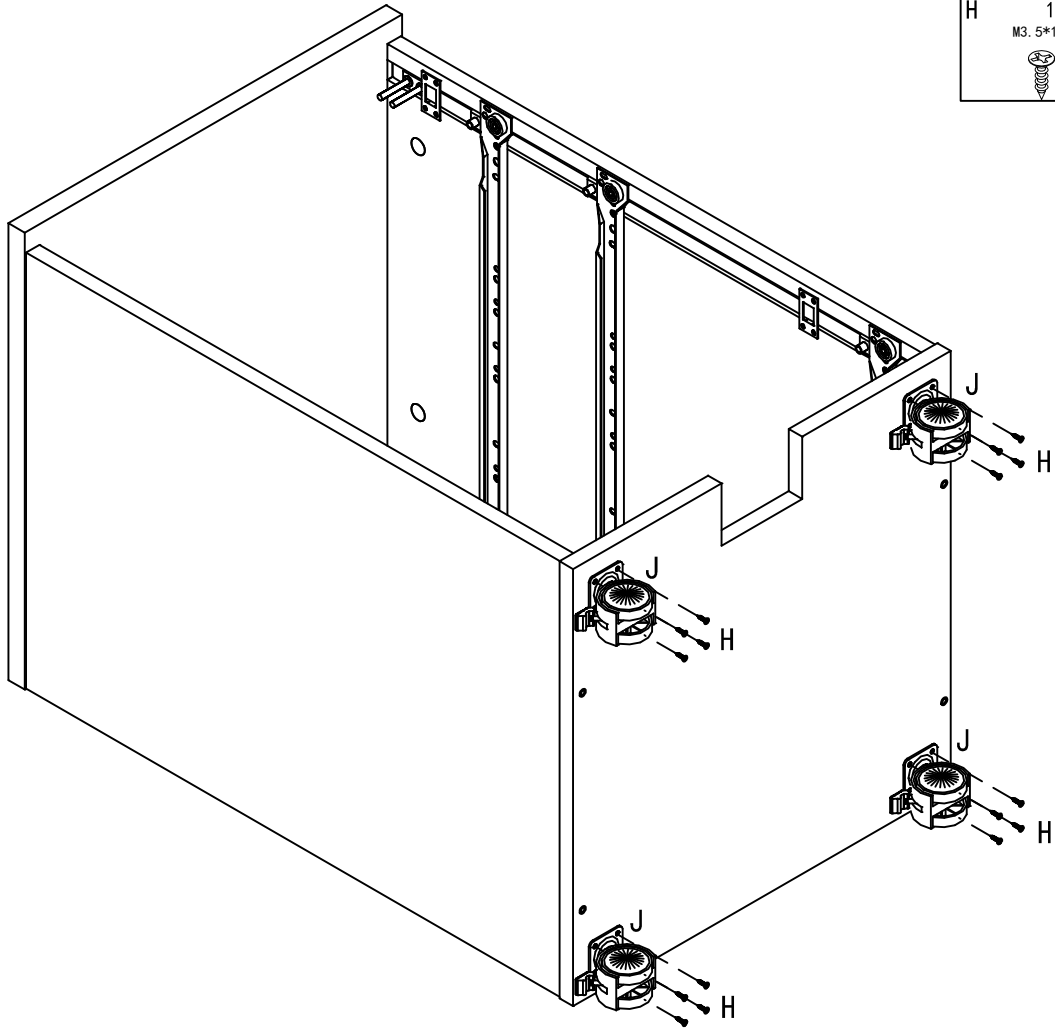
6



C	6PCS	D	6PCS
	$\Phi 8 \times 40$		M5 $\times 40$
			

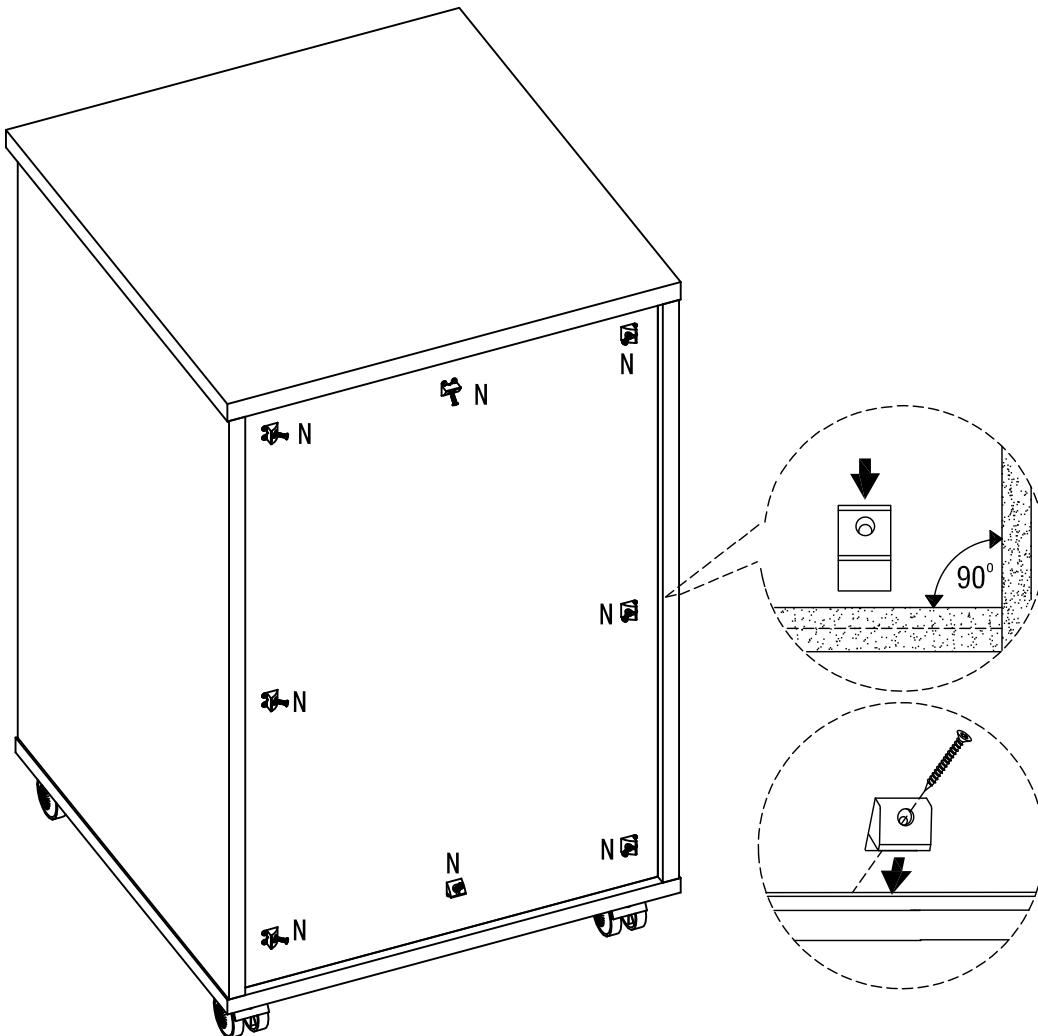
7

H	16PCS M3, 5*14	J	4PCS
---	-------------------	---	------



6

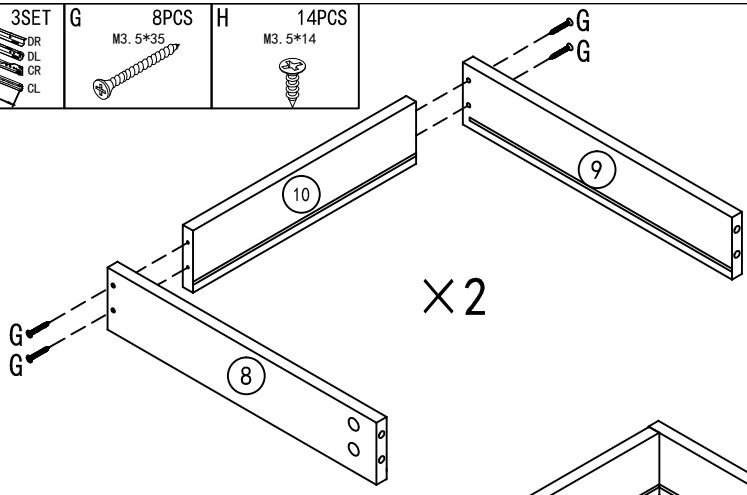
N	8PCS
---	------



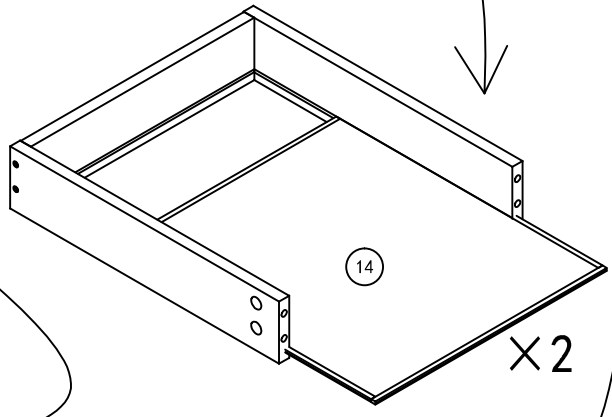
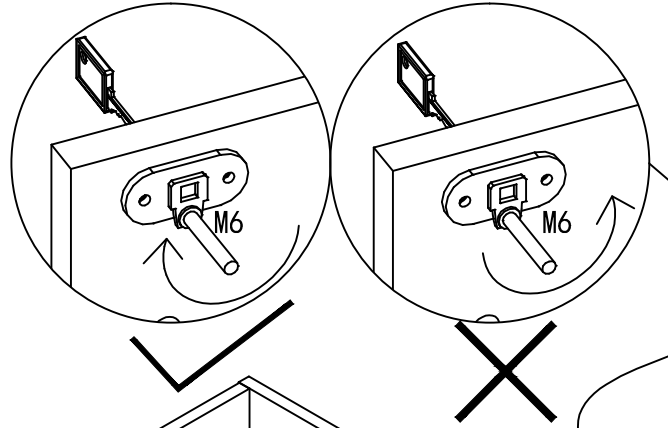
8

B	8PCS Φ15*11	F	3SET DR DL OR CL	G	8PCS M3.5*35	H	14PCS M3.5*14
----------	----------------	----------	------------------------------	----------	-----------------	----------	------------------

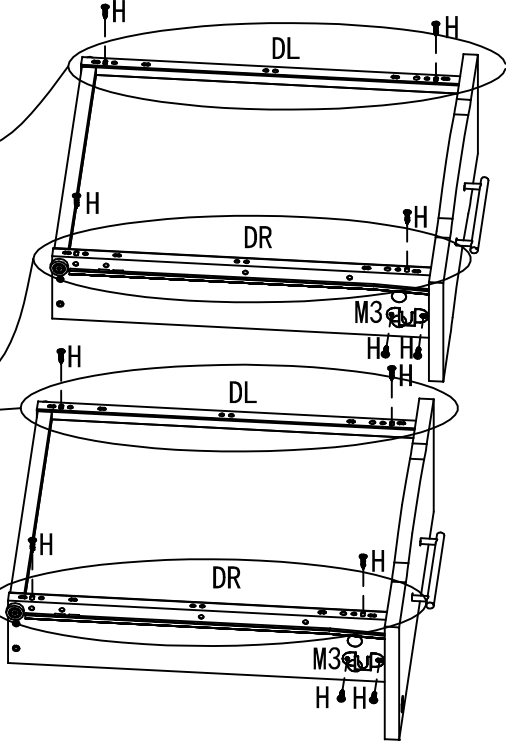
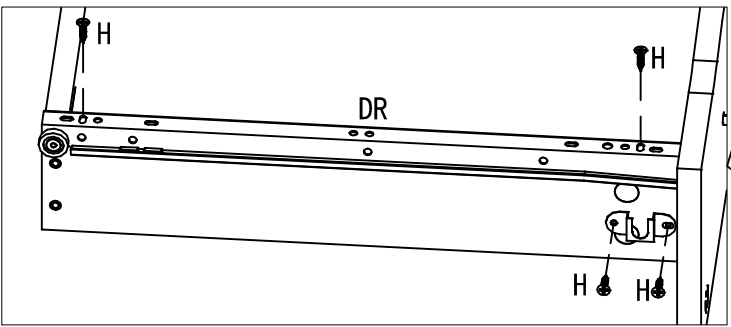
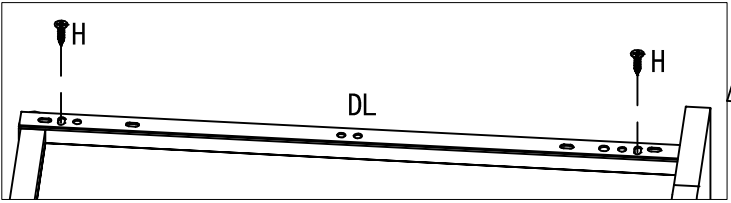
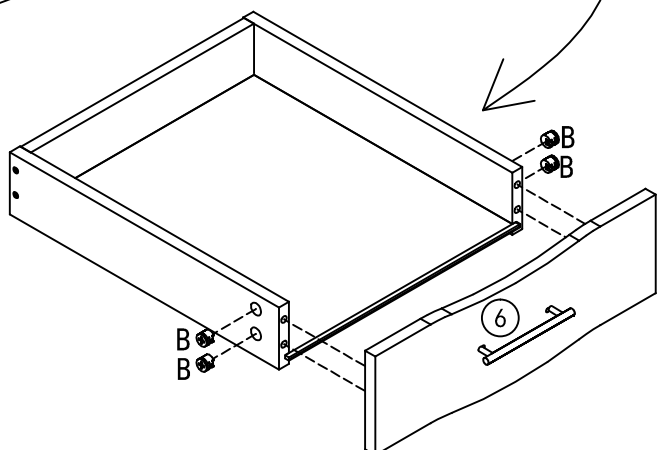
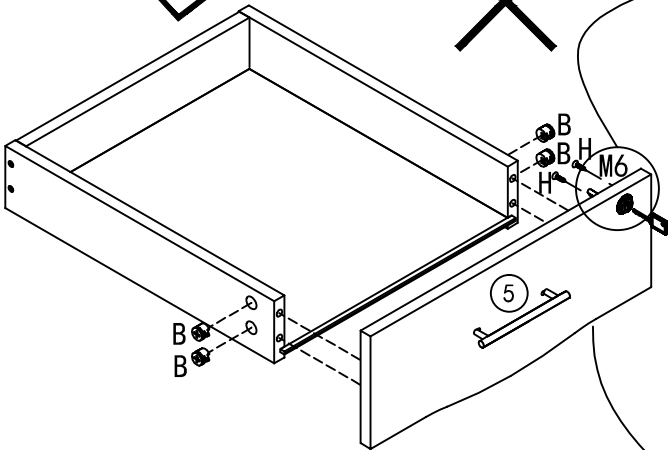
M	M2×2
	M3×3
	M4×3
	M5×3
M1×1	M6×1



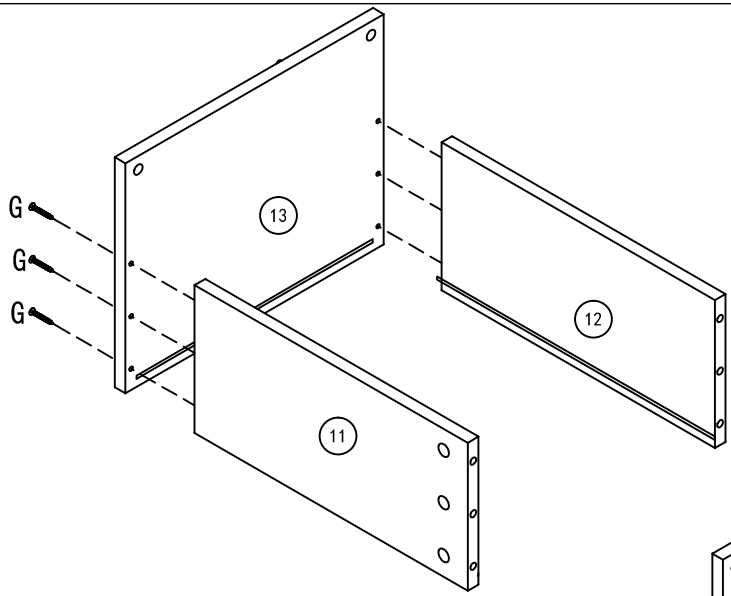
x2



x2



9



B	6PCS Ø 15*11	F	3SET DR DL GR CL	G	6PCS M3. 5*35
H	6PCS M3. 5*14	K	1PCS	L	2PCS
O	6PCS	P	3PCS M3. 5*18		

