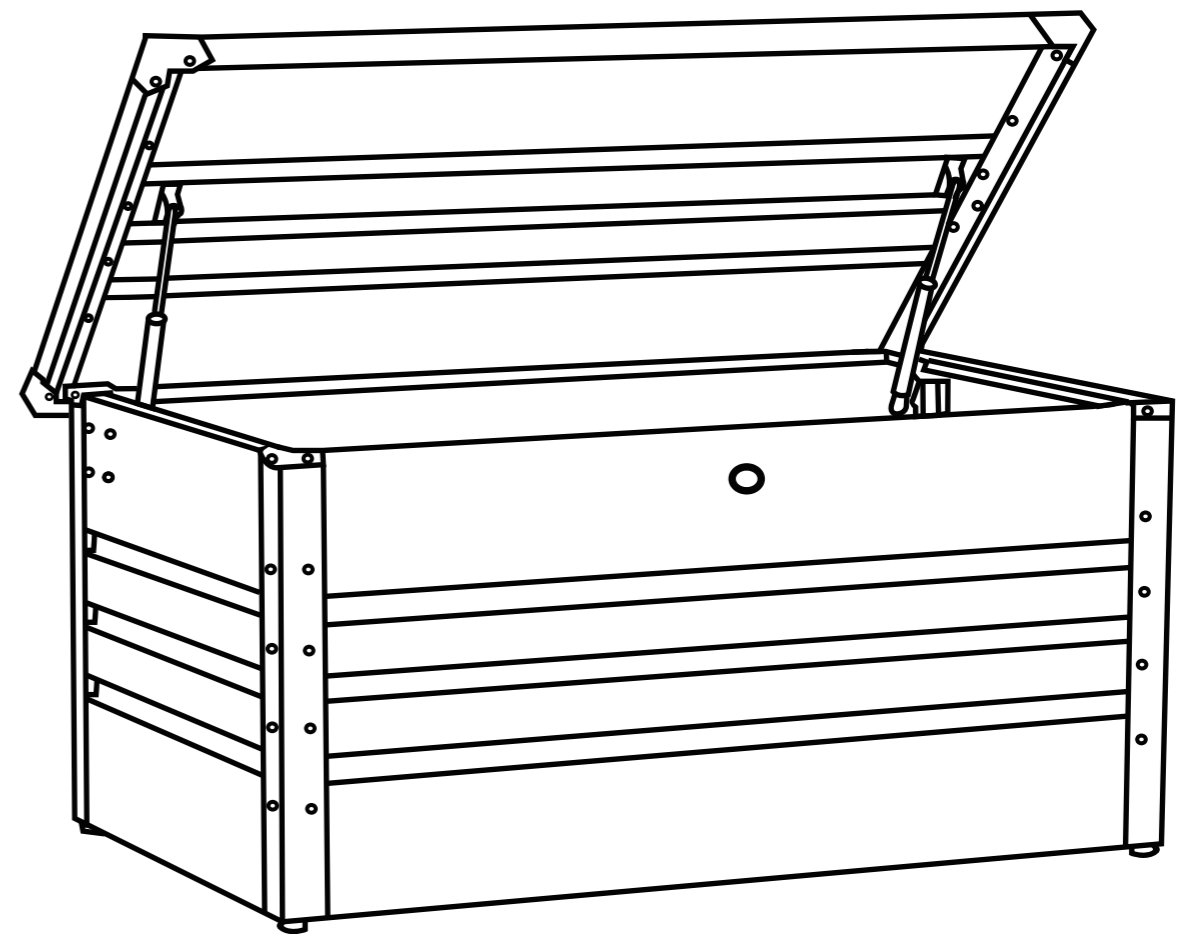


Deck Box

OP-JBX3HWT-180BK



OP-JBX3HWT-180BK



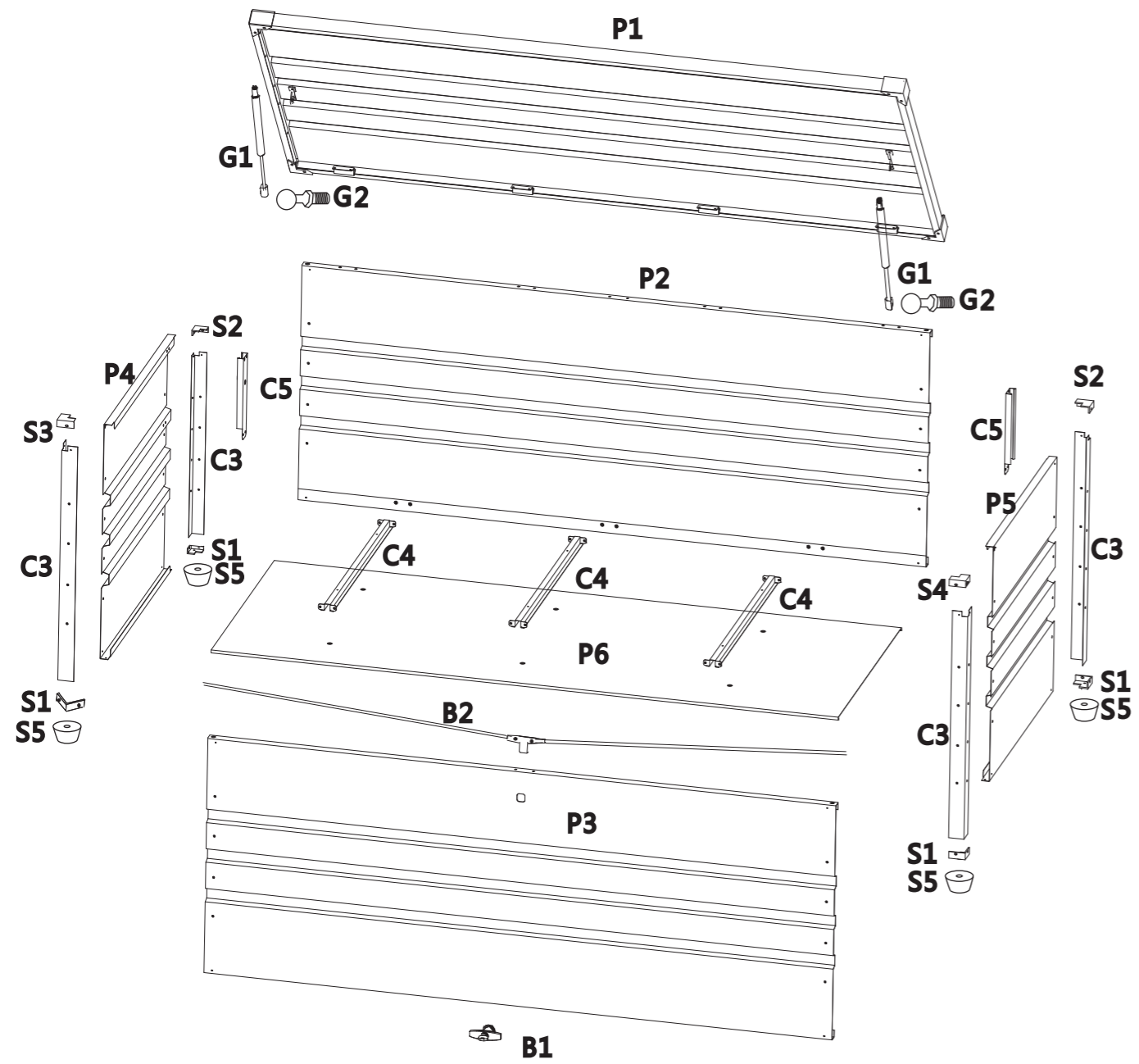
☒ (909)637-7665 | (909)637-7593

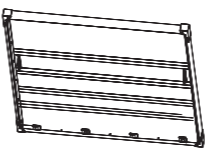
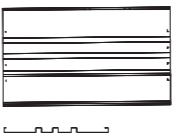
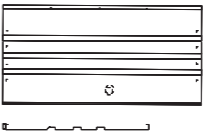
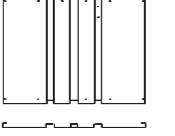
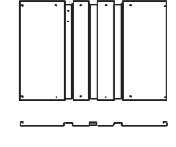




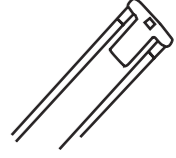
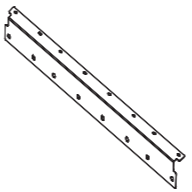
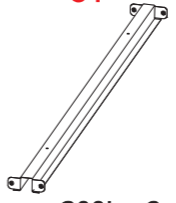
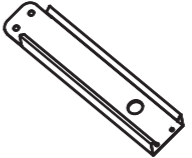

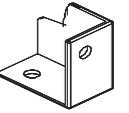
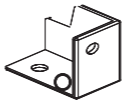
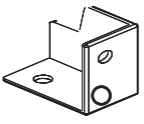

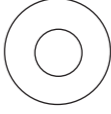





☎ HJ-Customer-Service@outlook.com

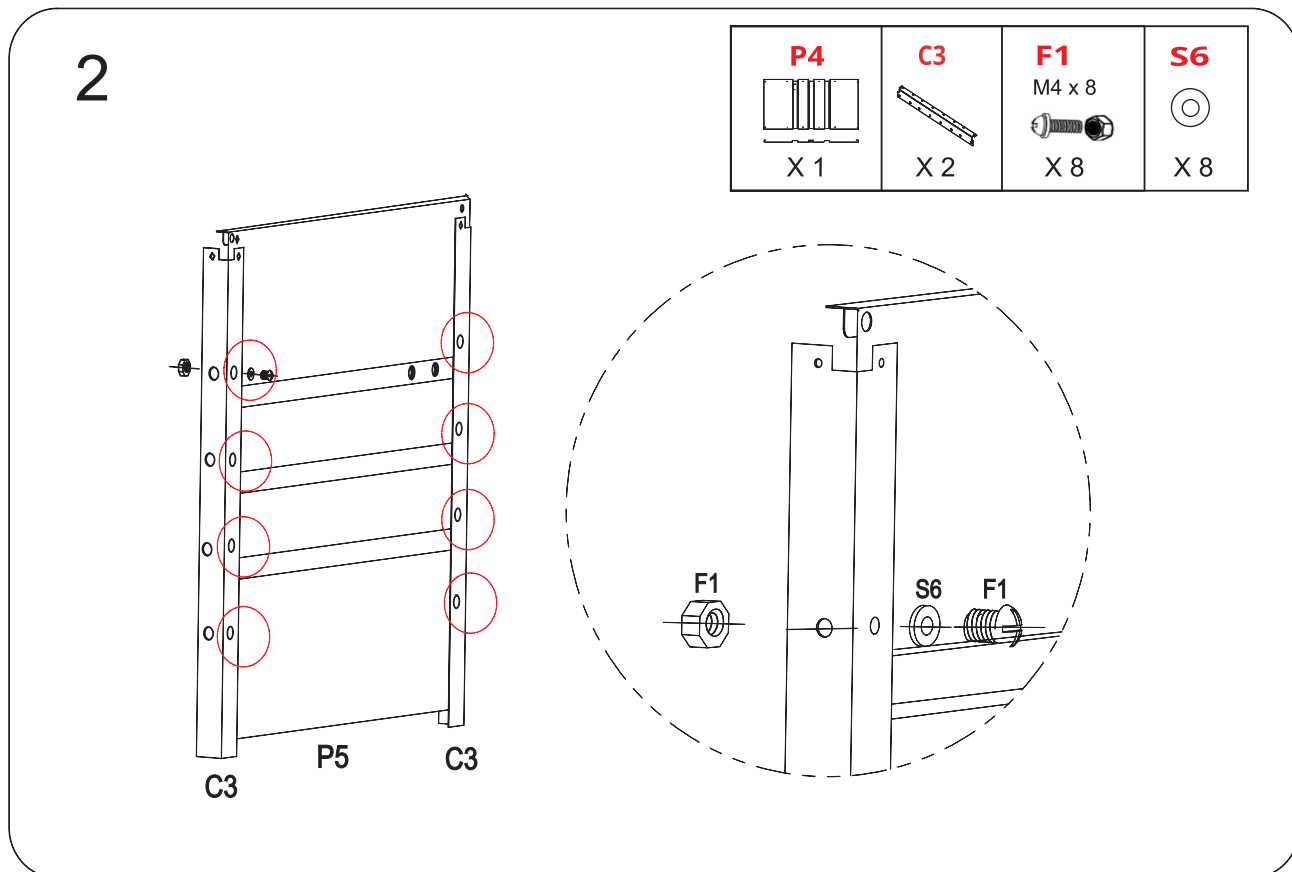
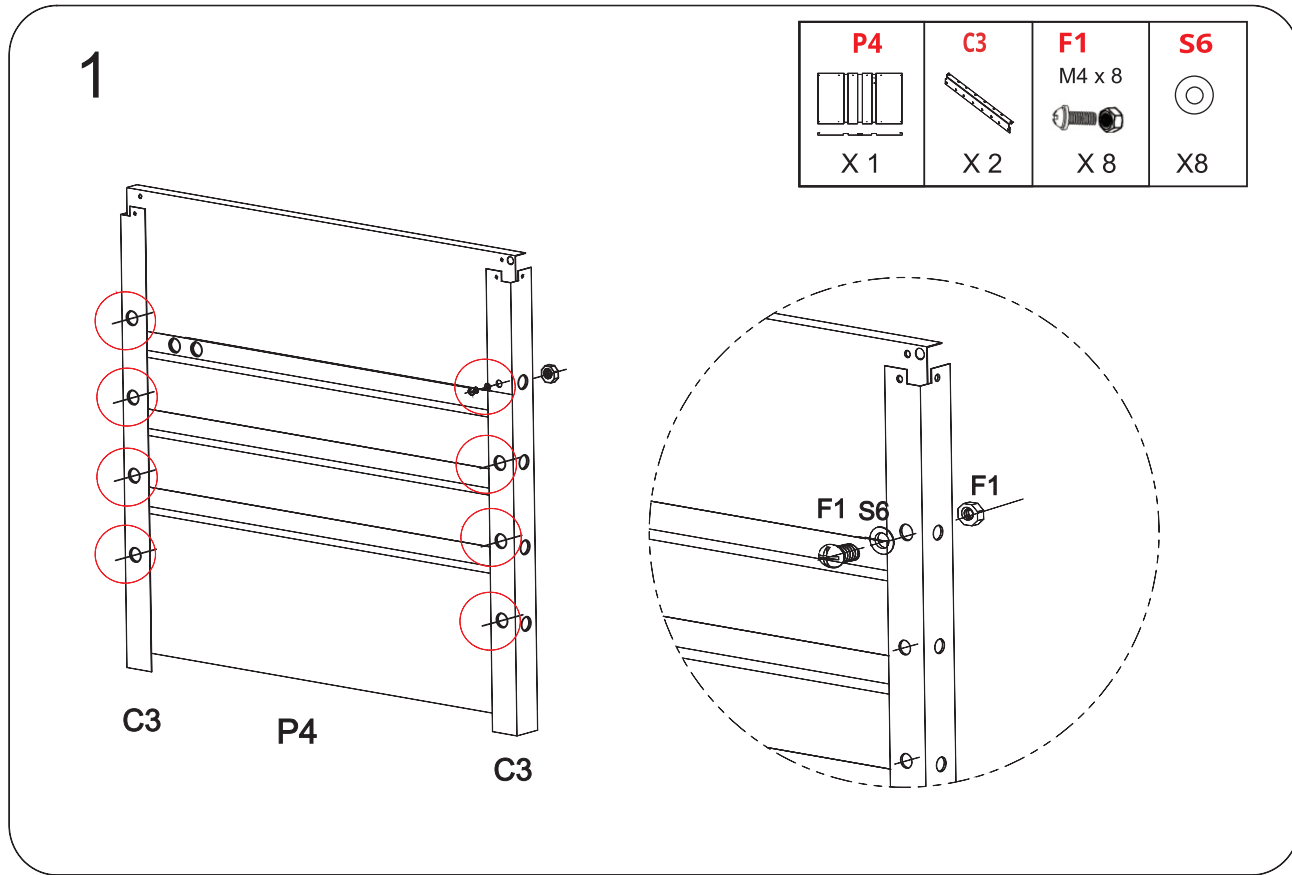
EST 9:00AM--17:00PM

It is recommended that 2 people install the product.

It is recommended that 2 people install the product.



<p>P1</p>  <p>x 1</p>	<p>P2</p>  <p>x 1</p>	<p>P3</p>  <p>x 1</p>	<p>P4</p>  <p>x 1</p>	<p>P5</p>  <p>x 1</p>
<p>P6</p>  <p>x 1</p>	<p>G1</p>  <p>x 2</p>	<p>G2</p>  <p>x 2</p>	<p>B1</p>  <p>x 1</p>	<p>B2</p>  <p>x 1</p>
<p>C3</p>  <p>x 4</p>	<p>C4</p>  <p>300L x 2 400L x 3 600L x 3</p>	<p>C5</p>  <p>x 2</p>	<p>S1</p>  <p>x 4</p>	<p>S2</p>  <p>x 2</p>
<p>S3</p>  <p>x 1</p>	<p>S4</p>  <p>x 1</p>	<p>S5</p>  <p>x 4</p>	<p>S6</p>  <p>x 36</p>	
<p>F1</p> <p>M4 x 8</p>  <p>x 58</p>	<p>F2</p> <p>M4 x 12</p>  <p>x 22</p>	<p>F3</p> <p>M4 x 20</p>  <p>x 4</p>	<p>D1</p> 	<p>D2</p> 



Technical Support


(909)637-7665 | (909)637-7593

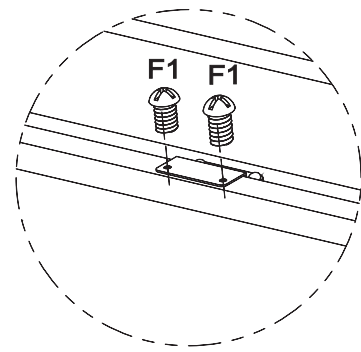
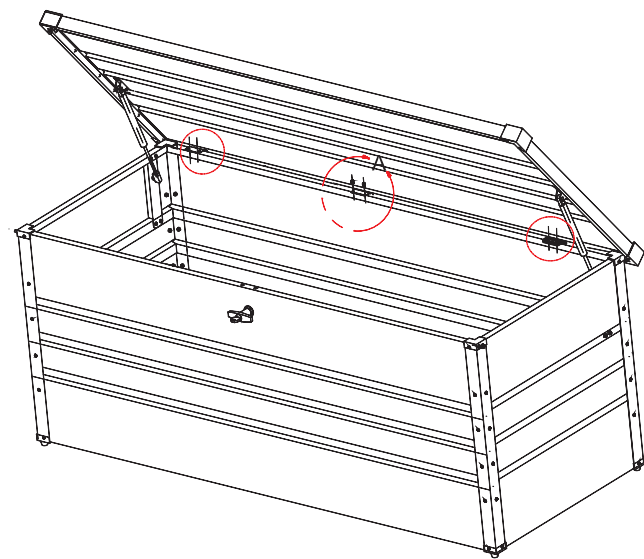
Other Info

HJ-Customer-Service@outlook.com



Thank you for choosing this product. We strive to provide you with the best quality products and service in the industry. Should you have any issues, please don't hesitate to contact us.

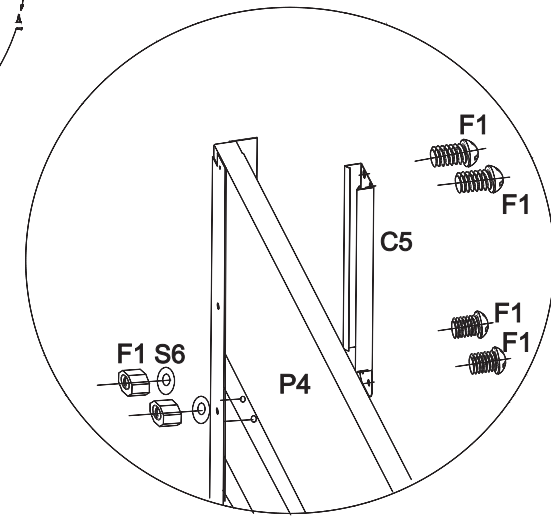
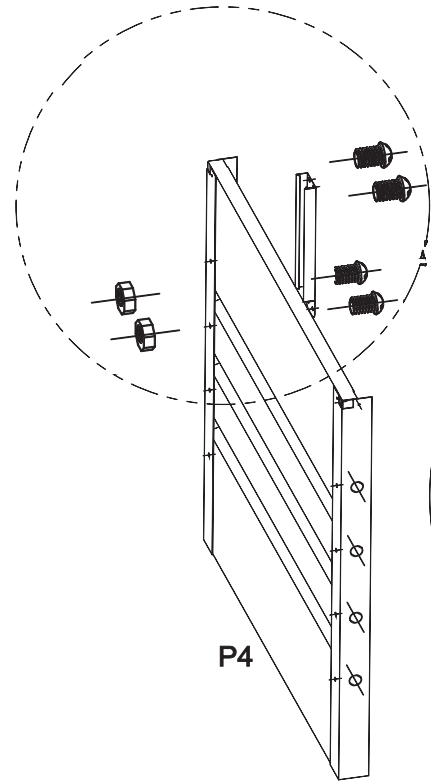
16

F1
M4 x 8

X 6





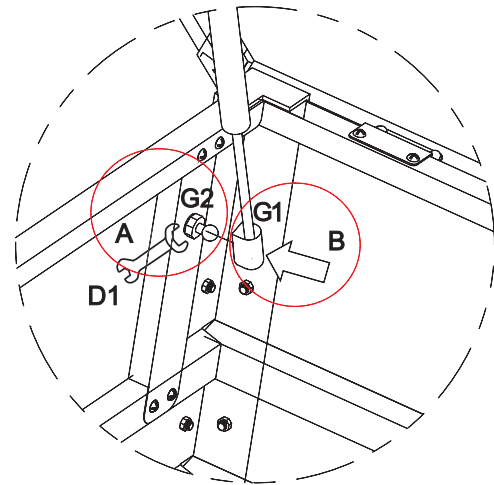
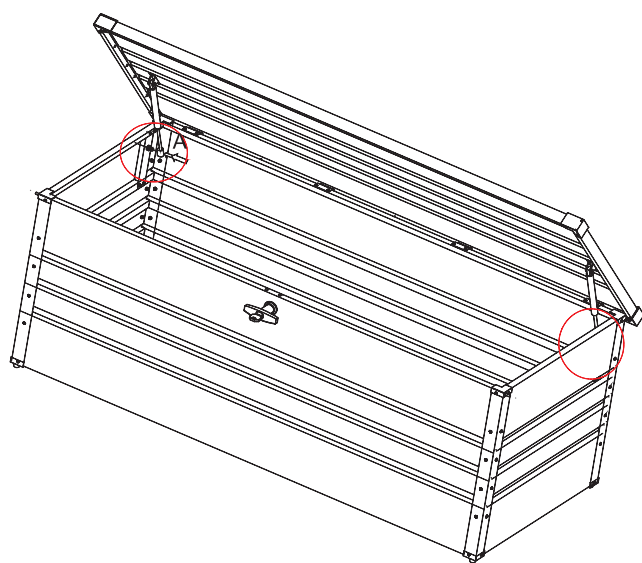
3

C5	F1	S6
	M4 x 8	
X 1	X 4	X 4

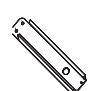



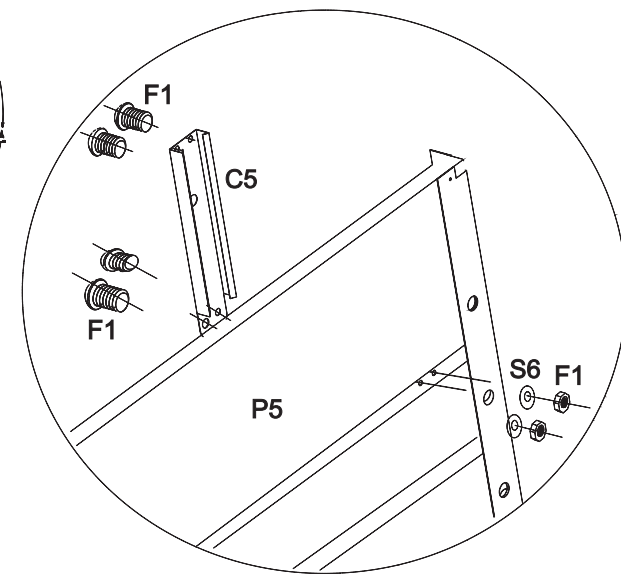
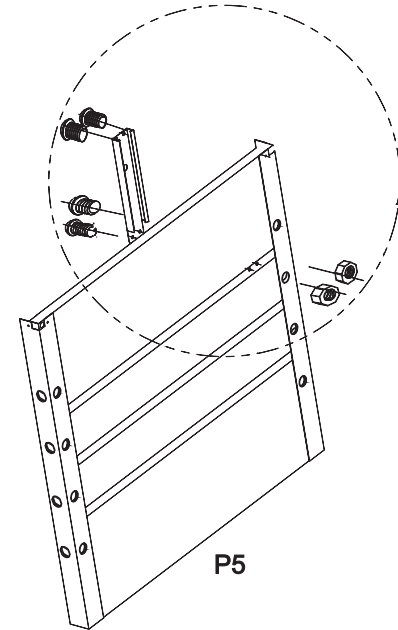
17

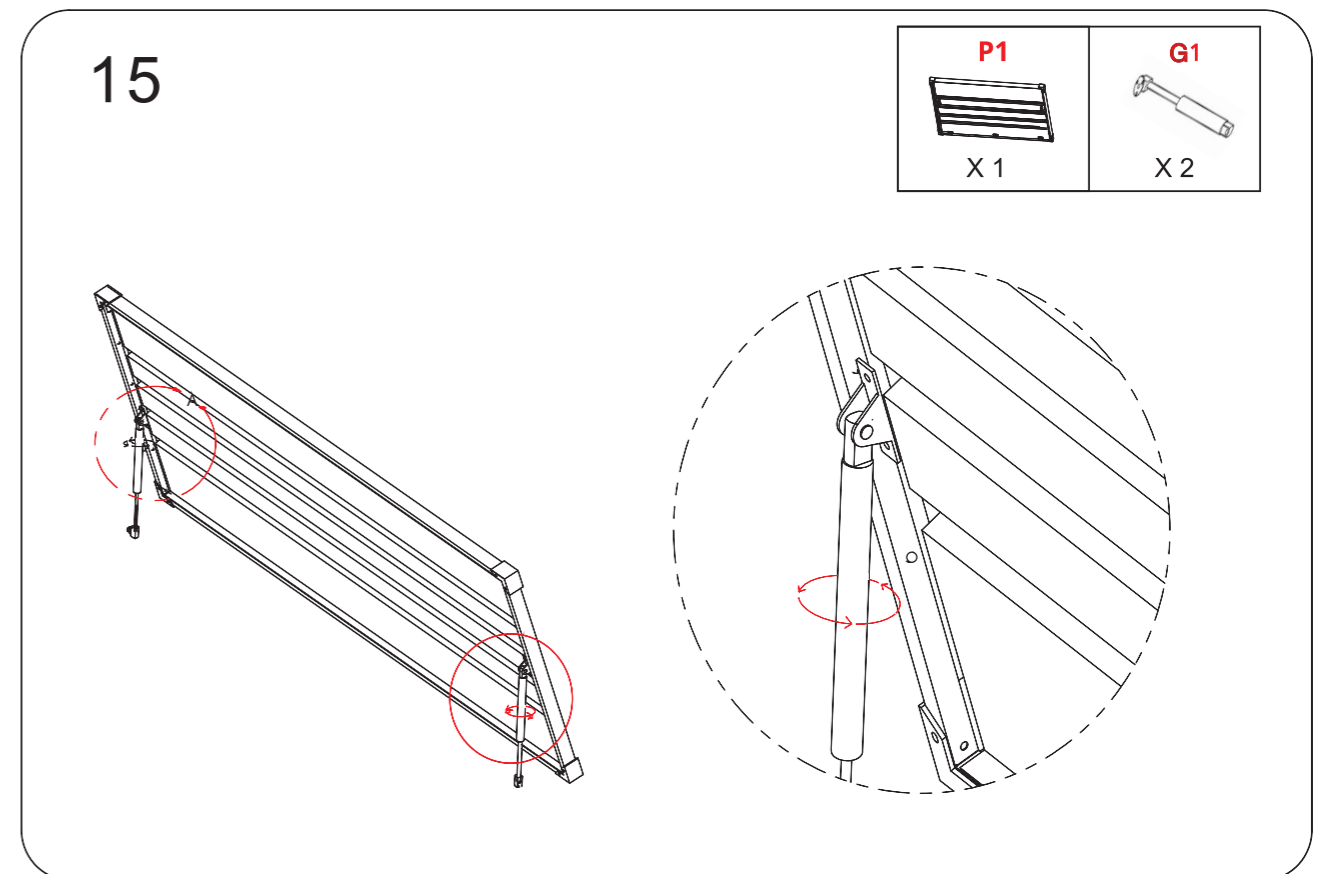
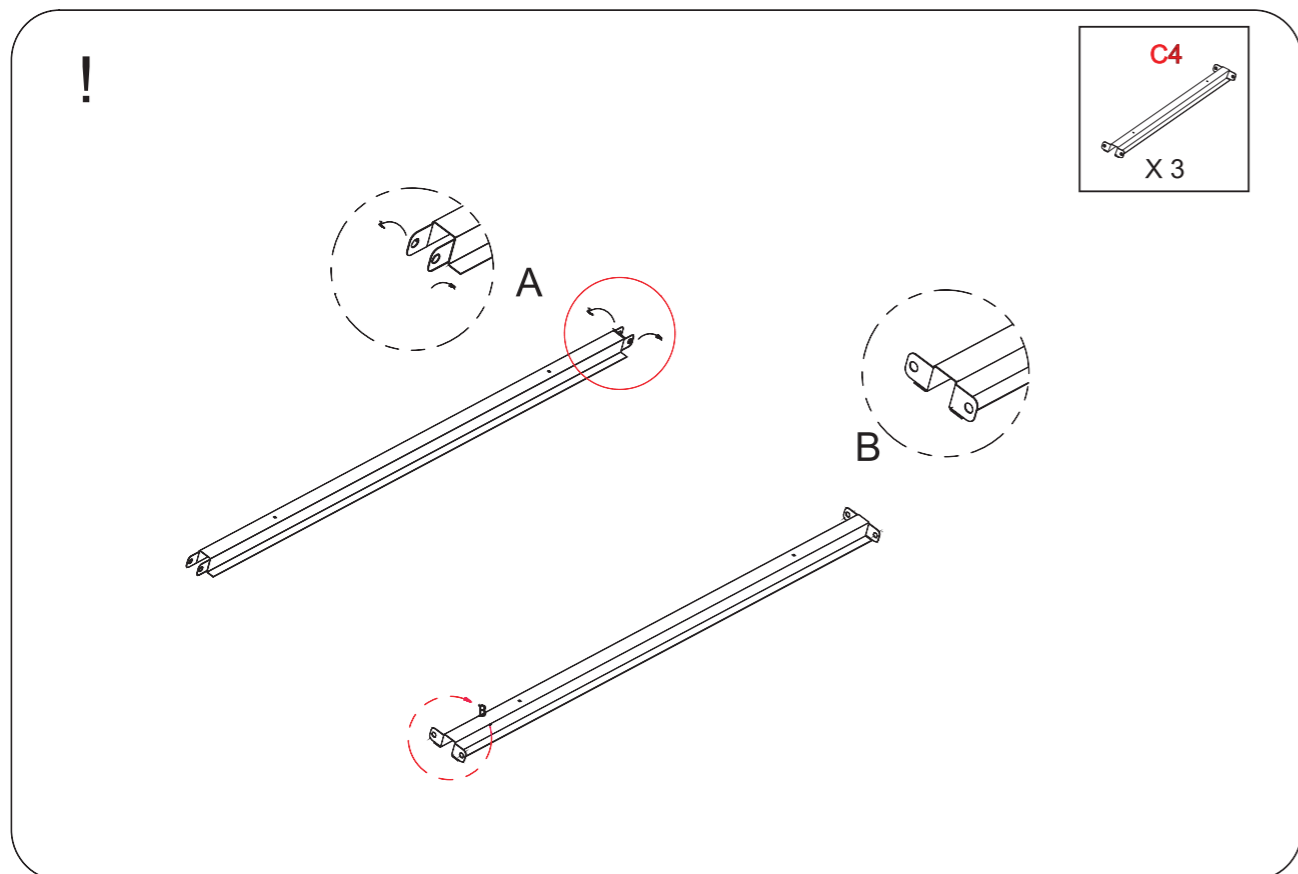
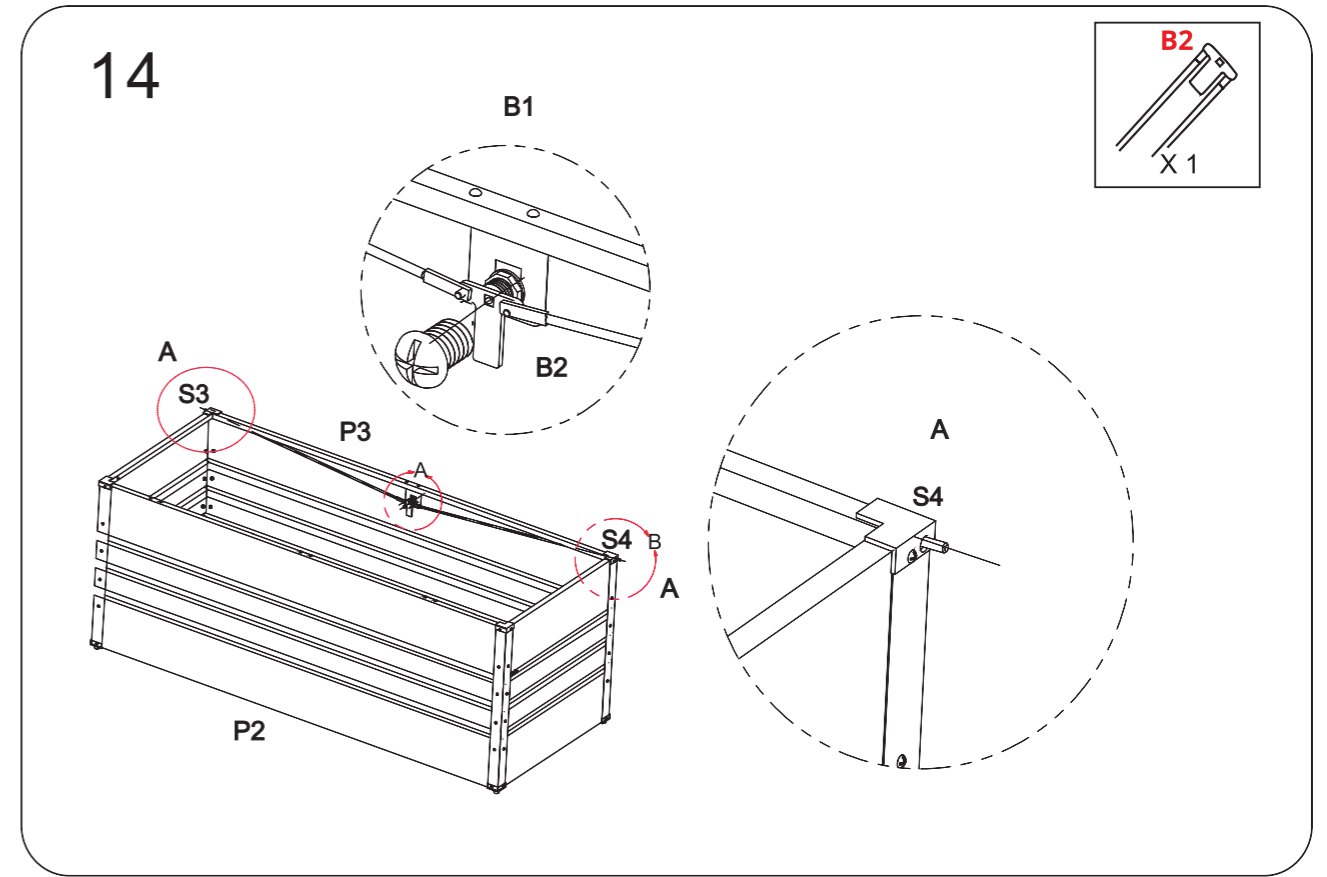
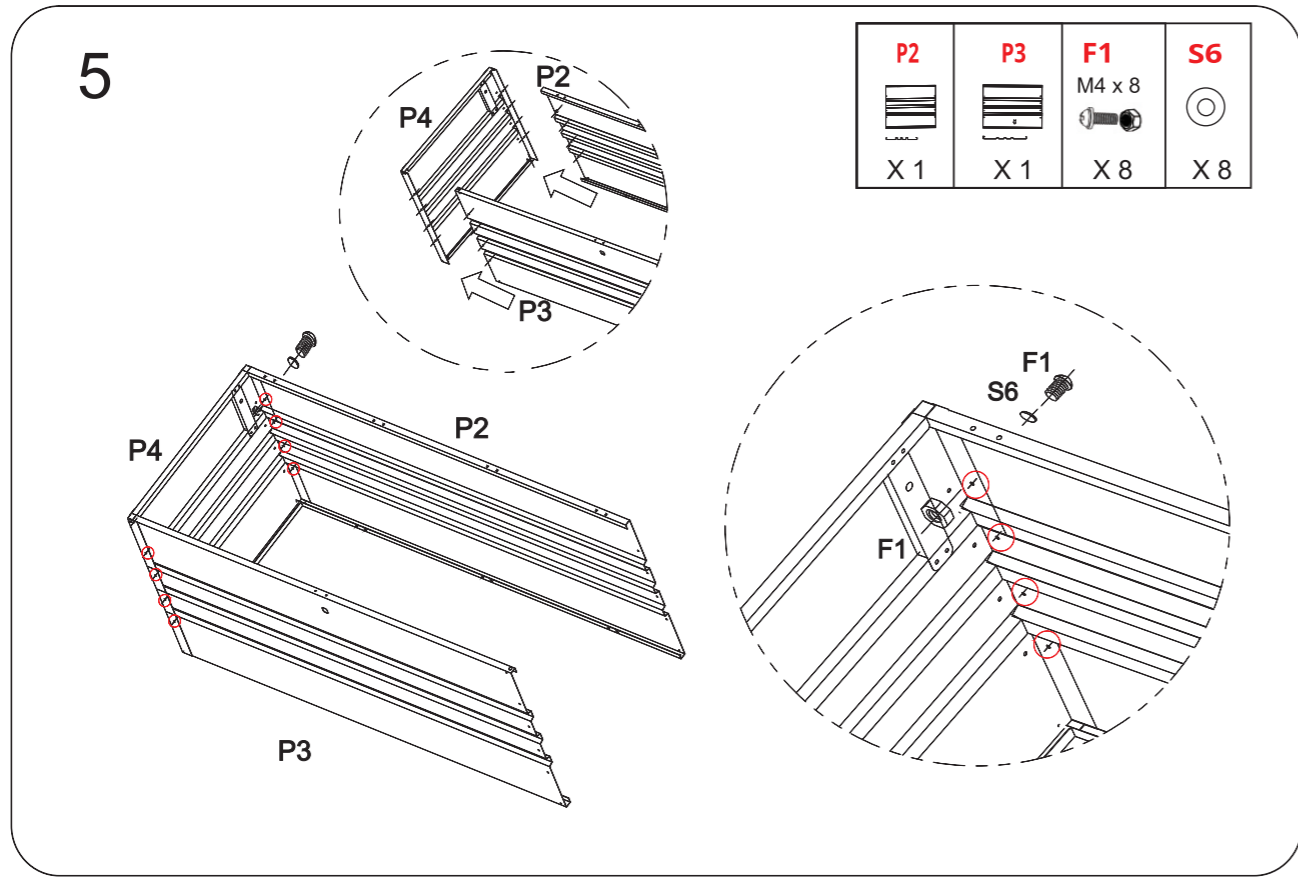
G2	D1
	
X 2	





4

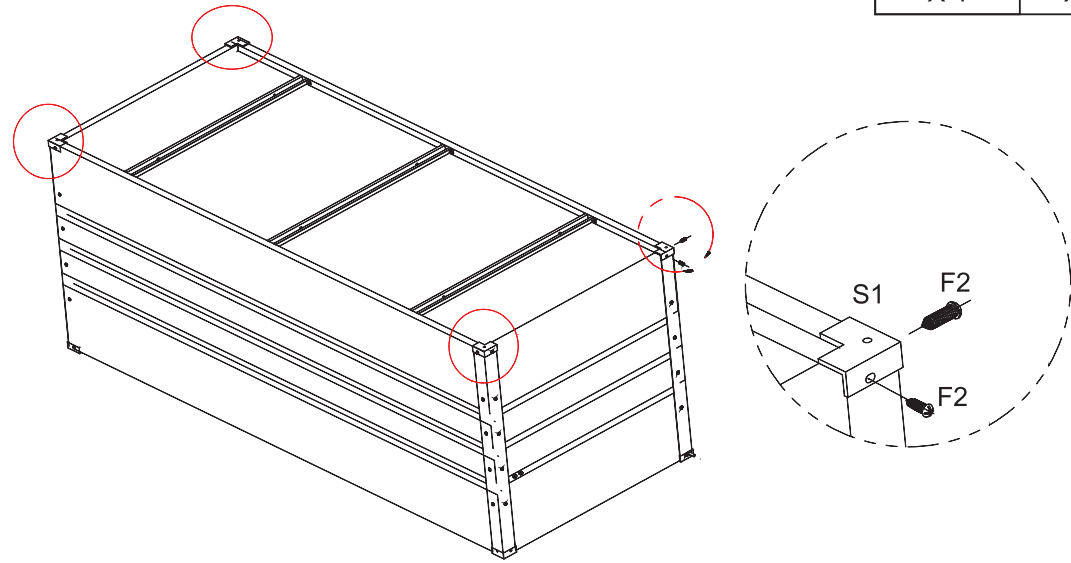
C5	F1	S6
	M4 x 8	
X 1	X 4	X 4



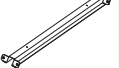



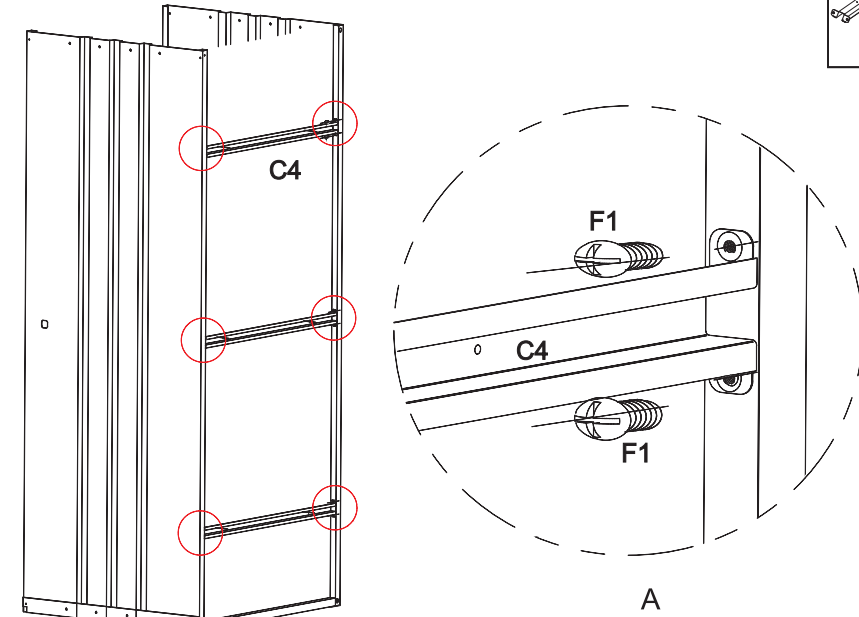
12

S1 	F2 M4 x 12 
X 4	X 8





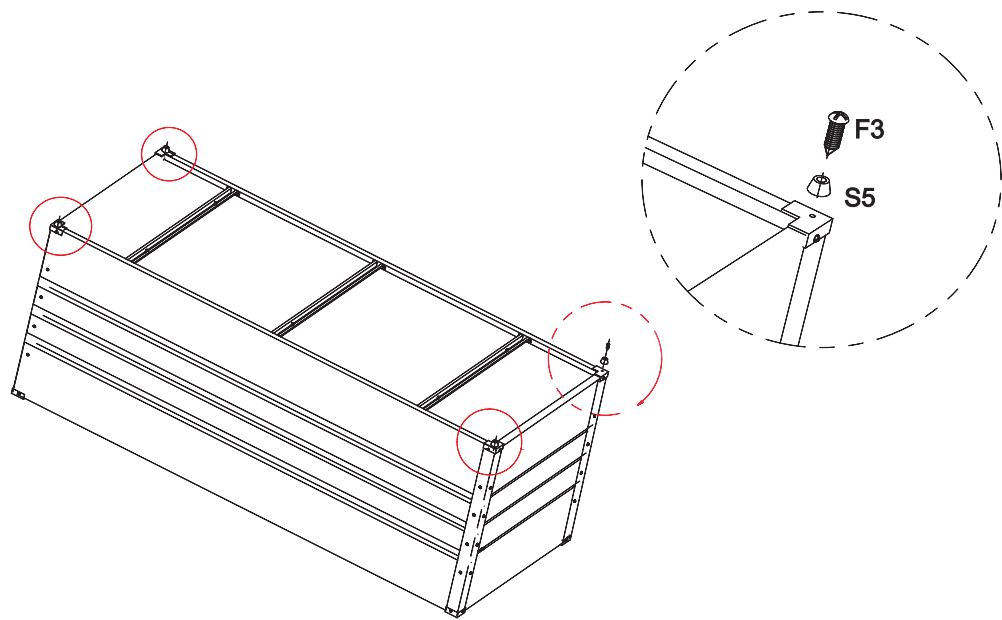
6

C4 	F1 M4 x 8 
X 3	X 12

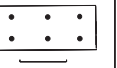


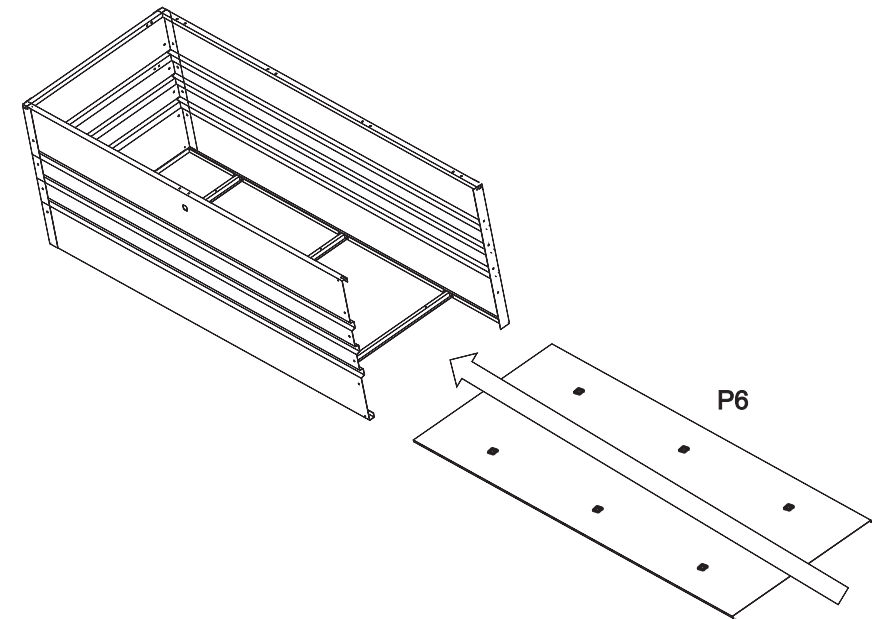
13

S5 	F3 M4 x 20 
X 4	X 4



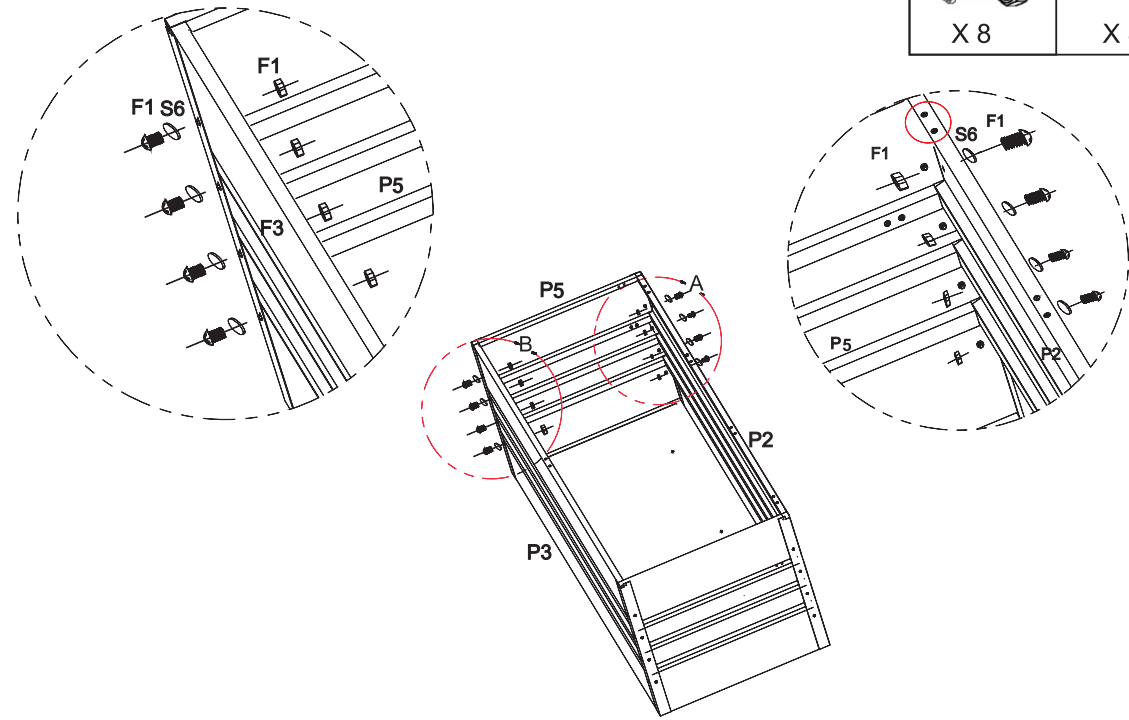
7

P6 
X 1



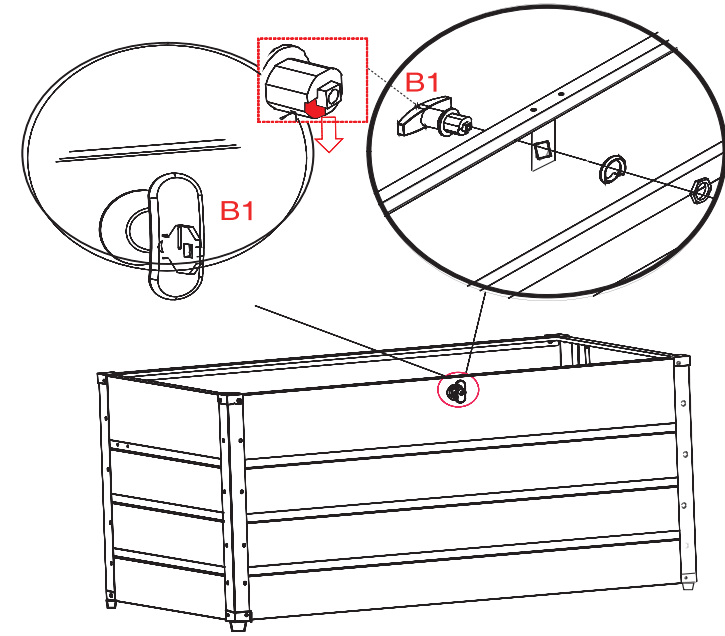
8

F1 M4 x 8 X 8	S6 X 8
----------------------------	------------------



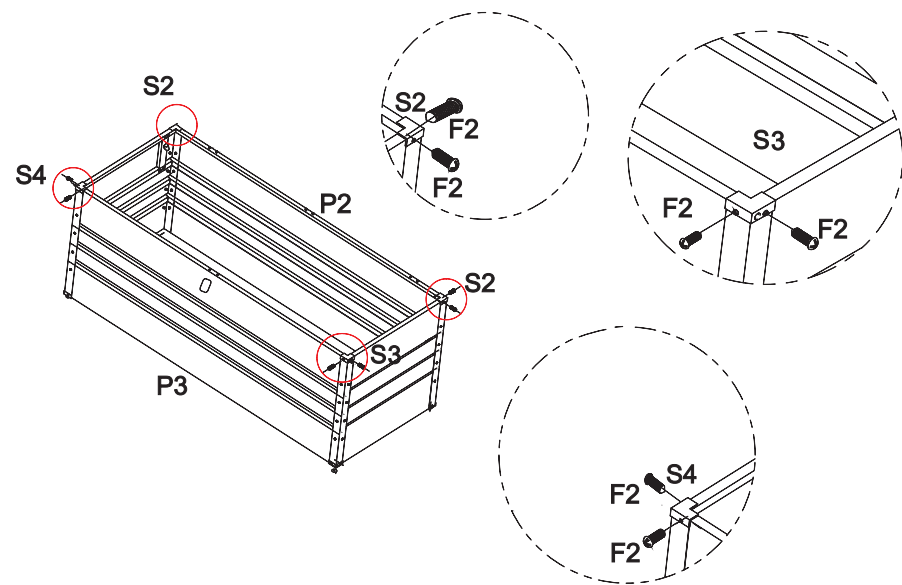
10

B1 X 1



9

S2 X 2	S3 X 1	S4 X 1	F2 M4 x 12 X 8
------------------	------------------	------------------	-----------------------------



11

F2 M4 x 12 X 6

