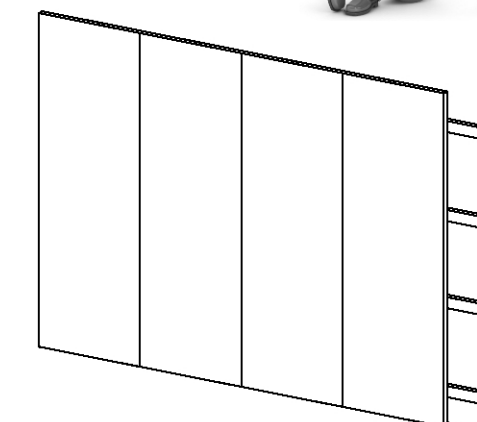
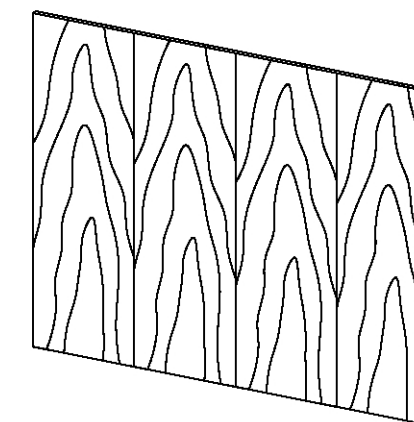
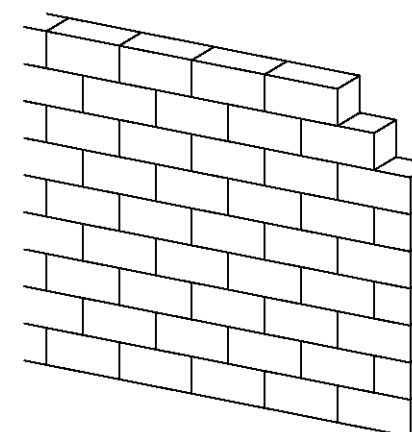
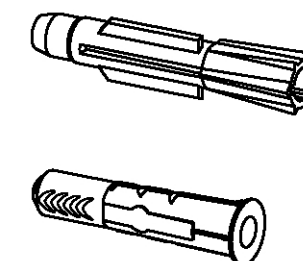
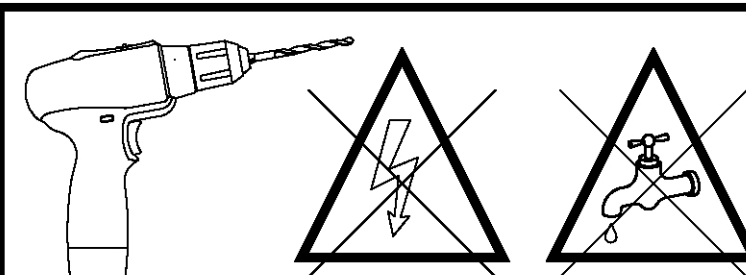
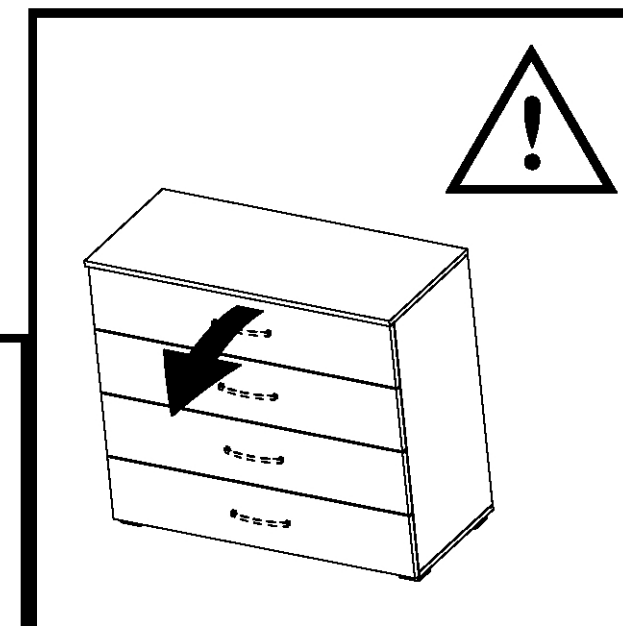
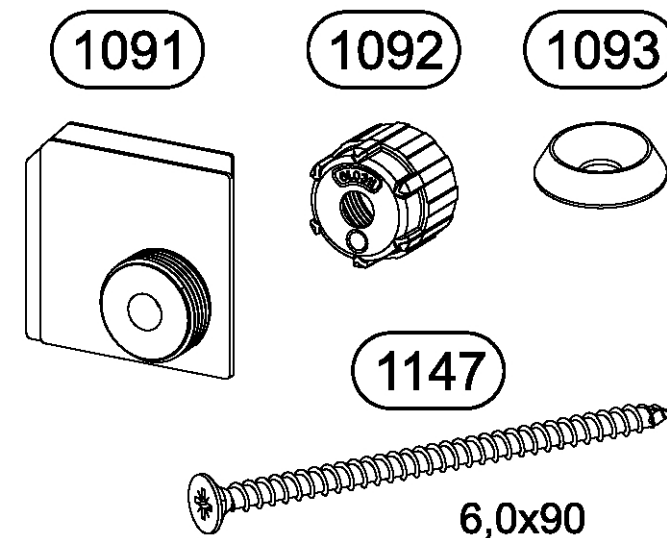
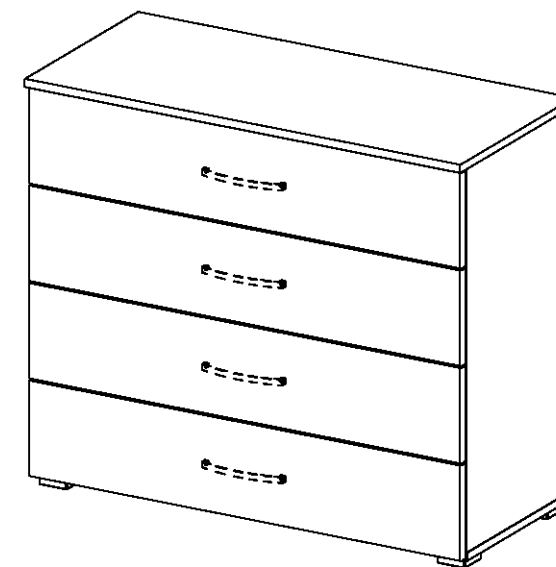
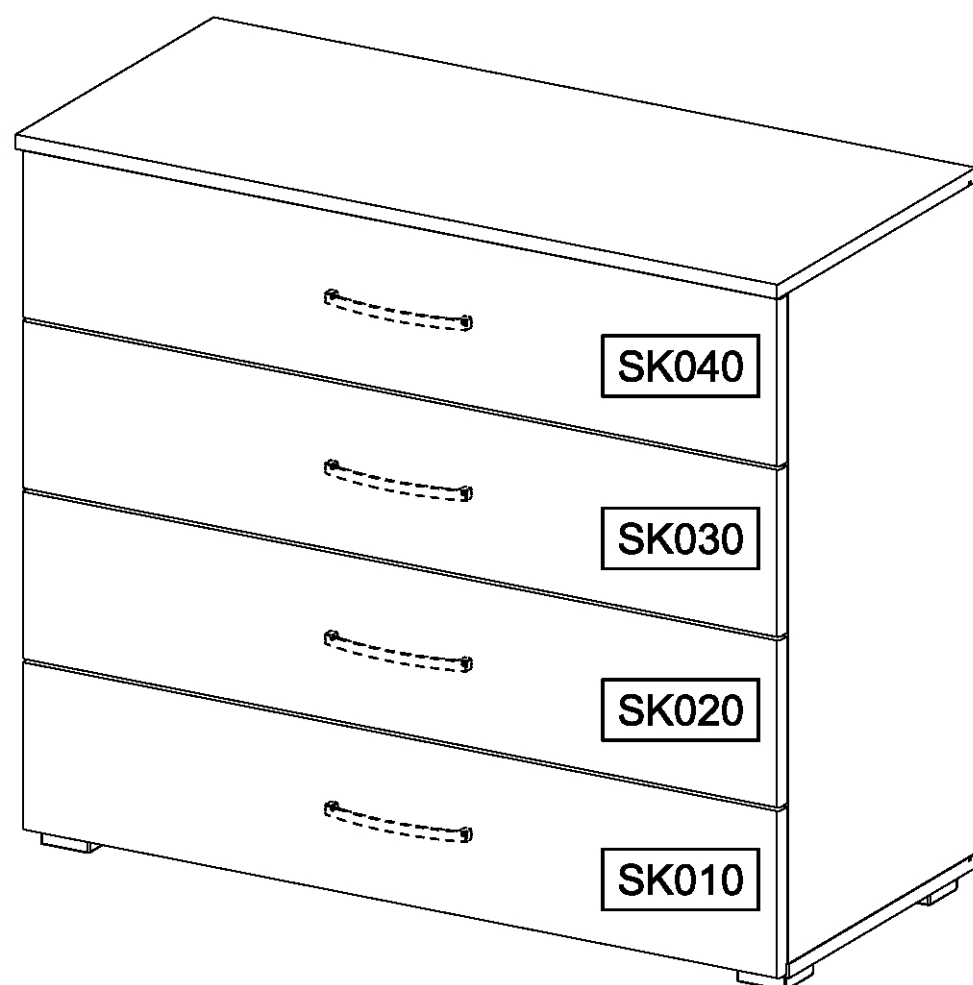
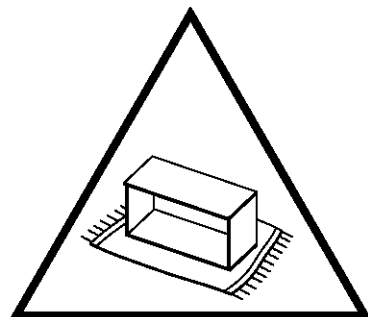
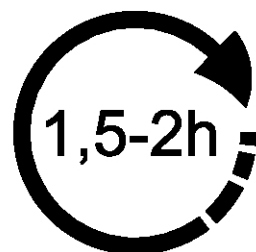
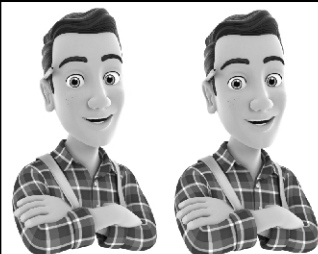
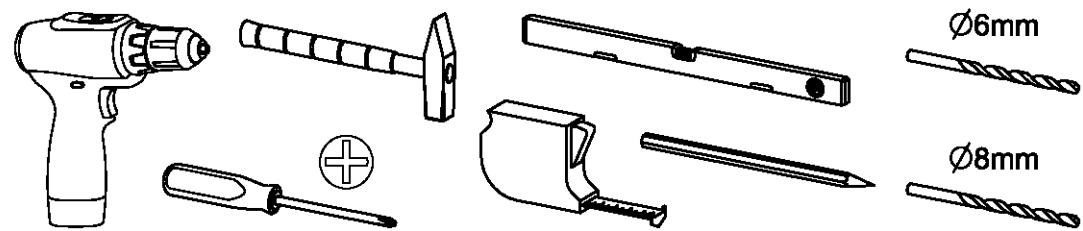
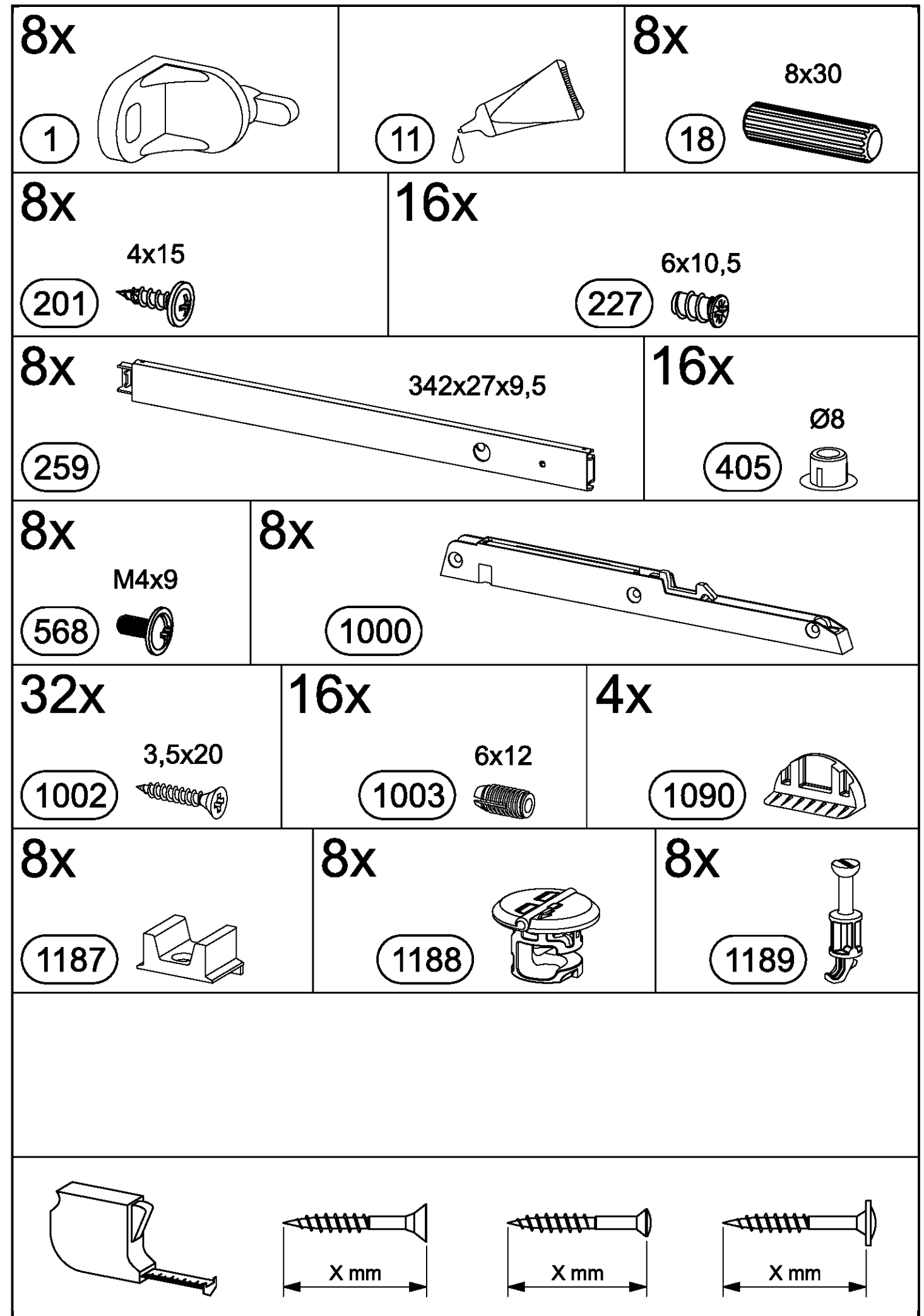
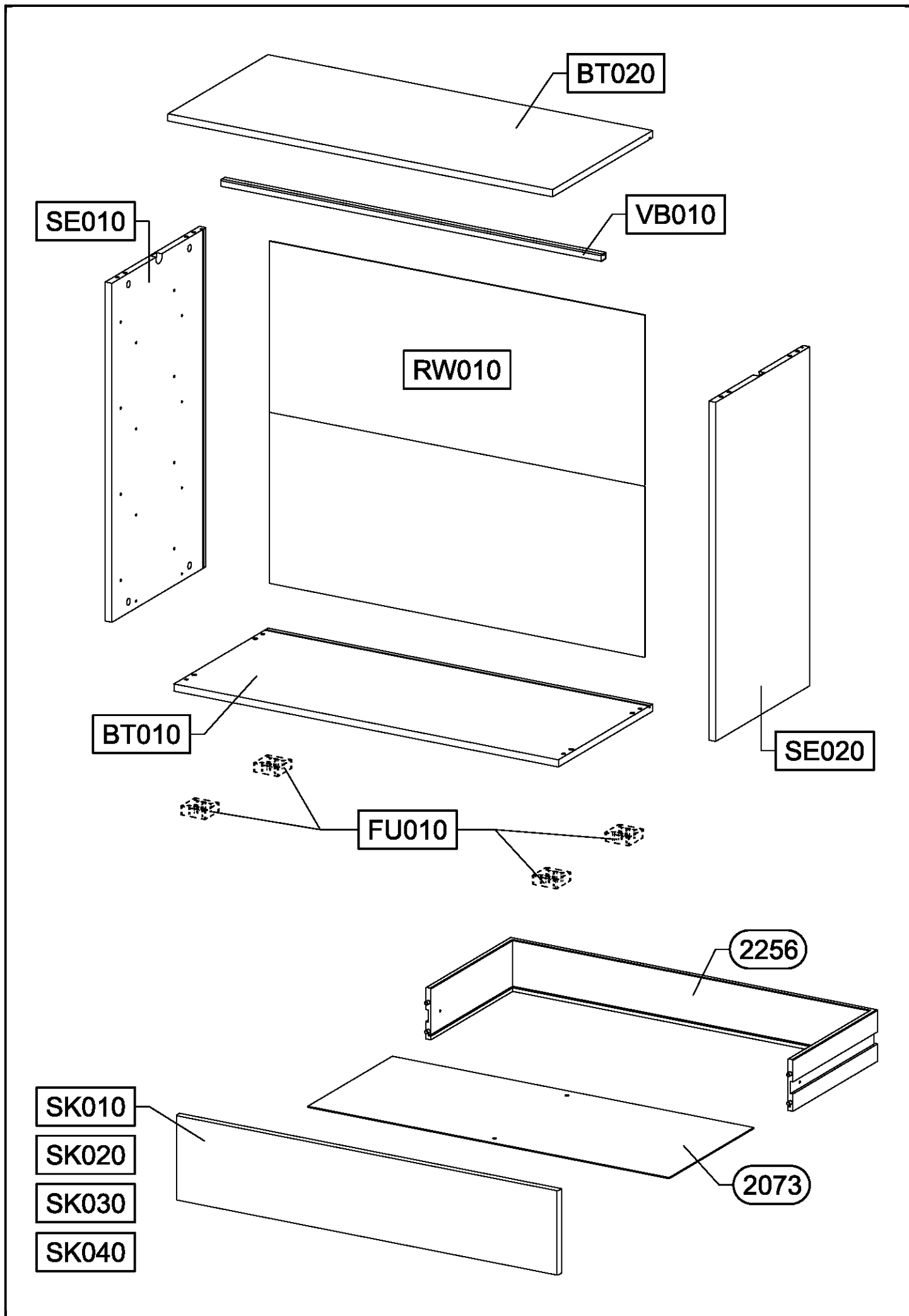
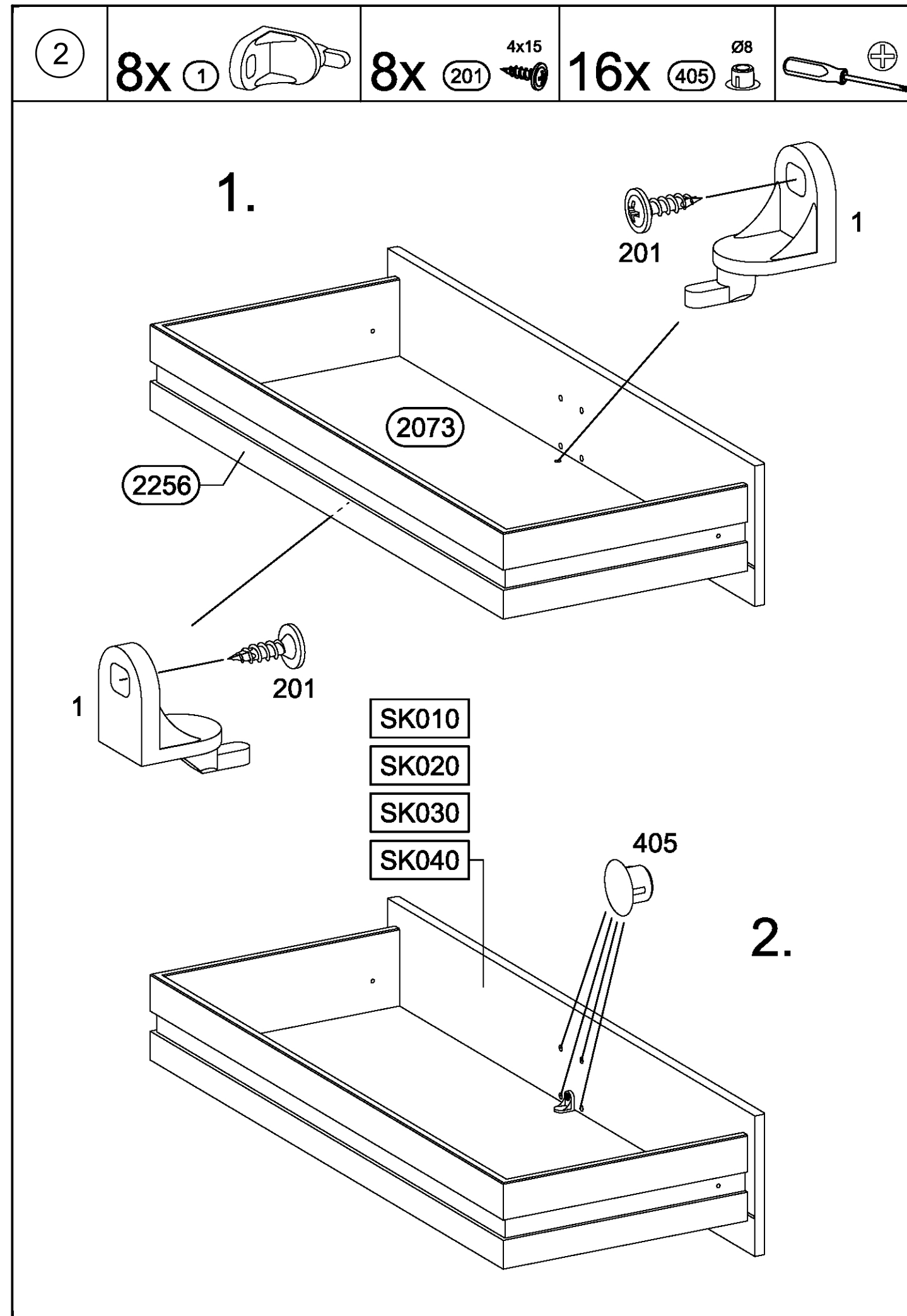
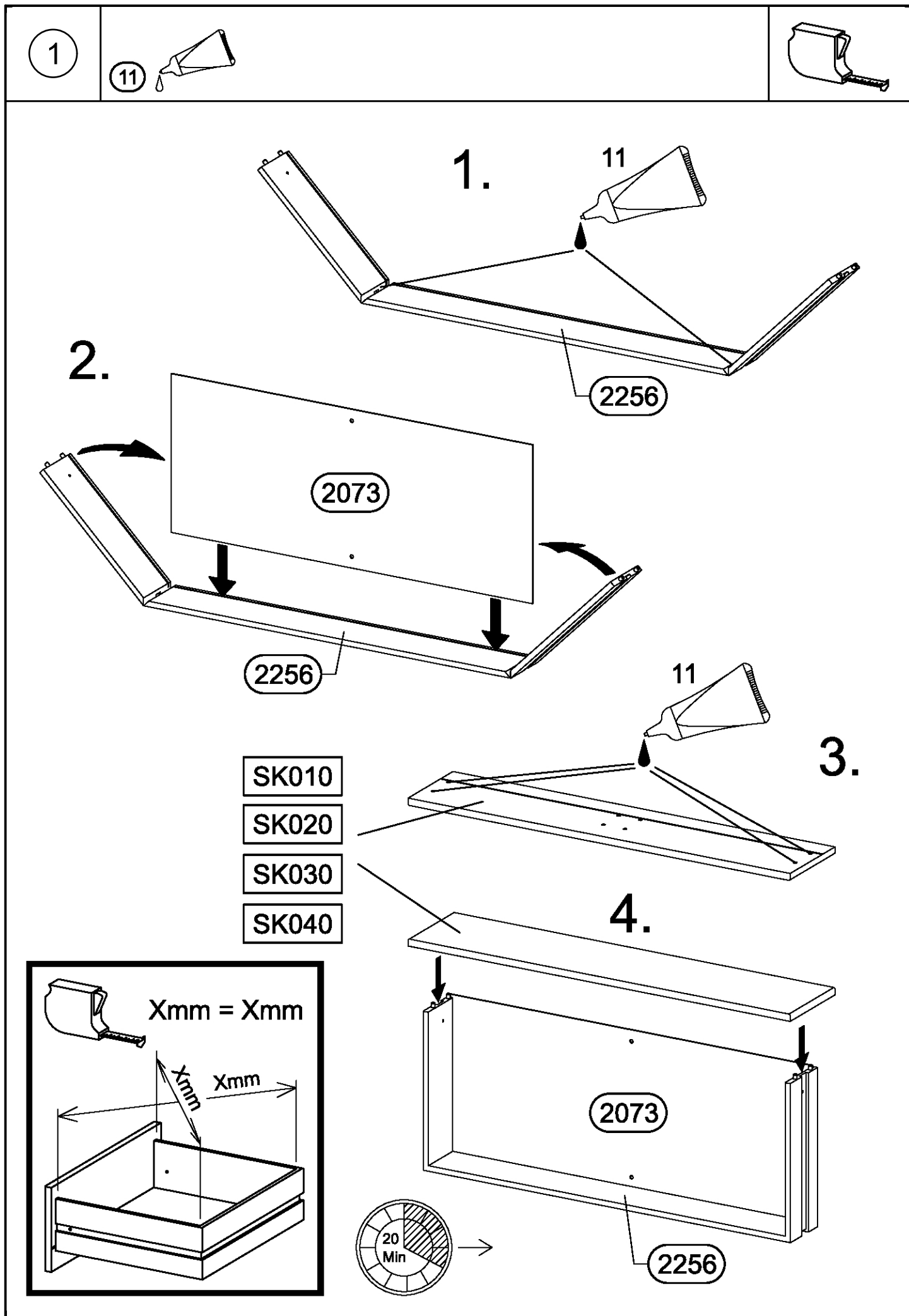


M2611_01

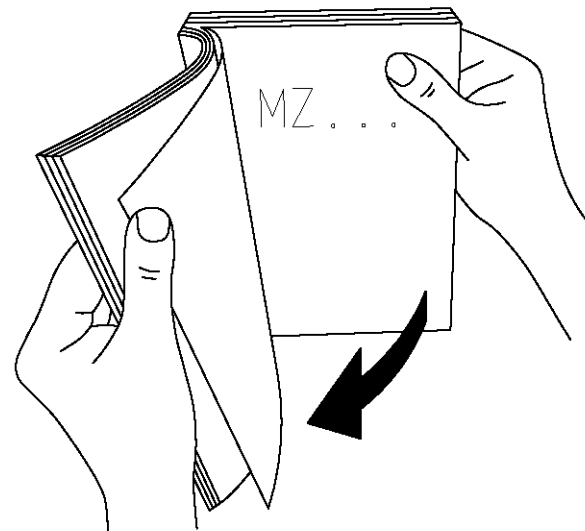
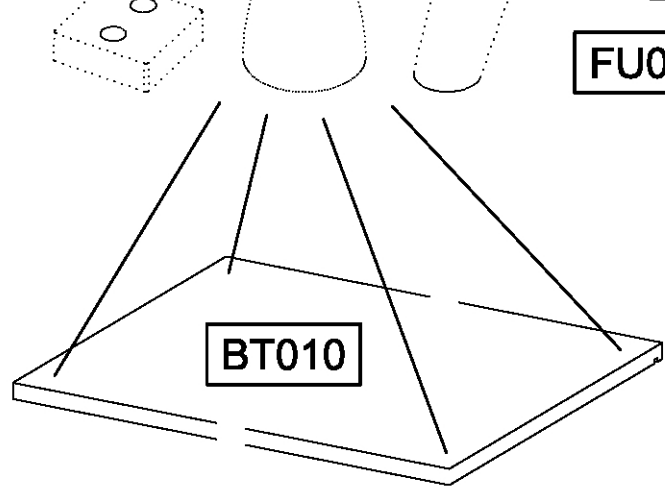
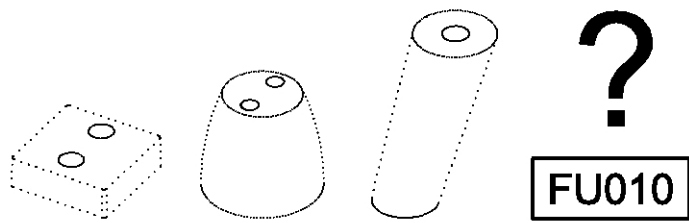
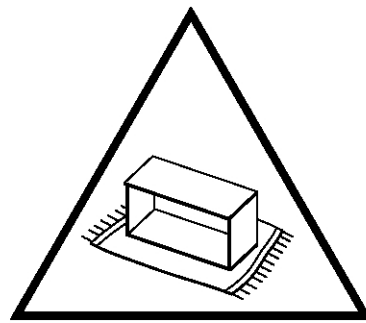
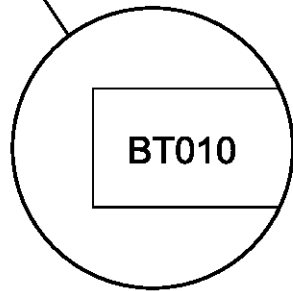
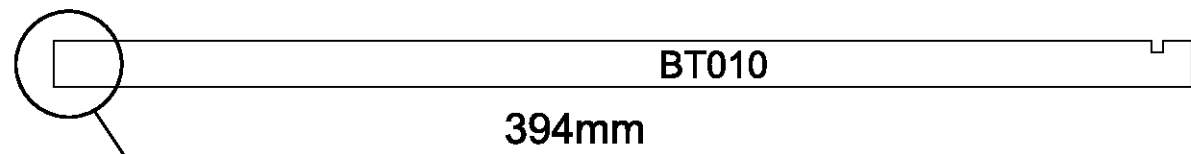
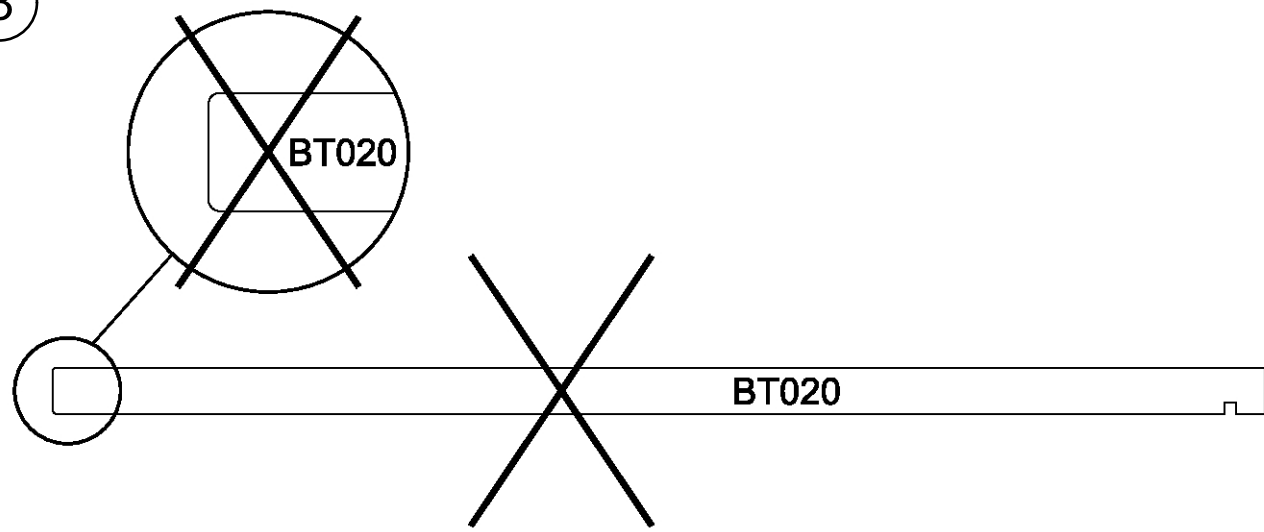
rauch





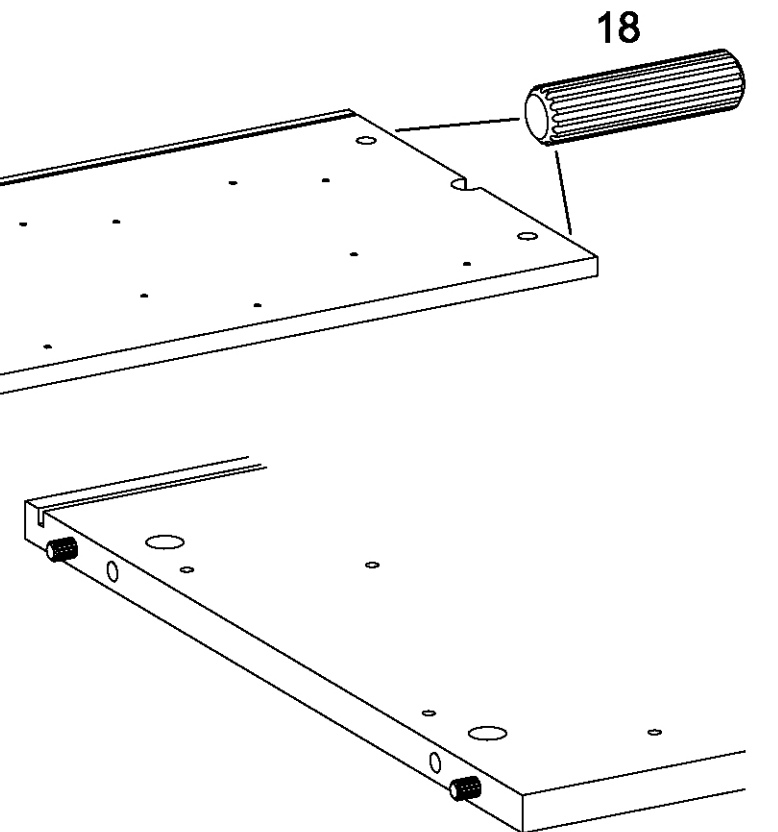
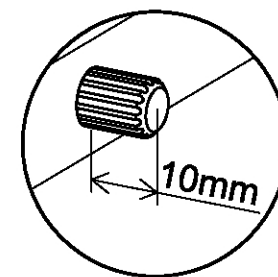
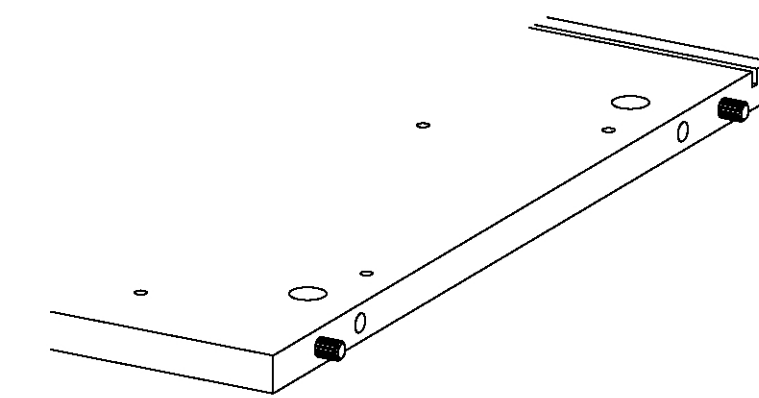
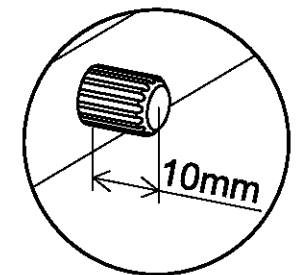
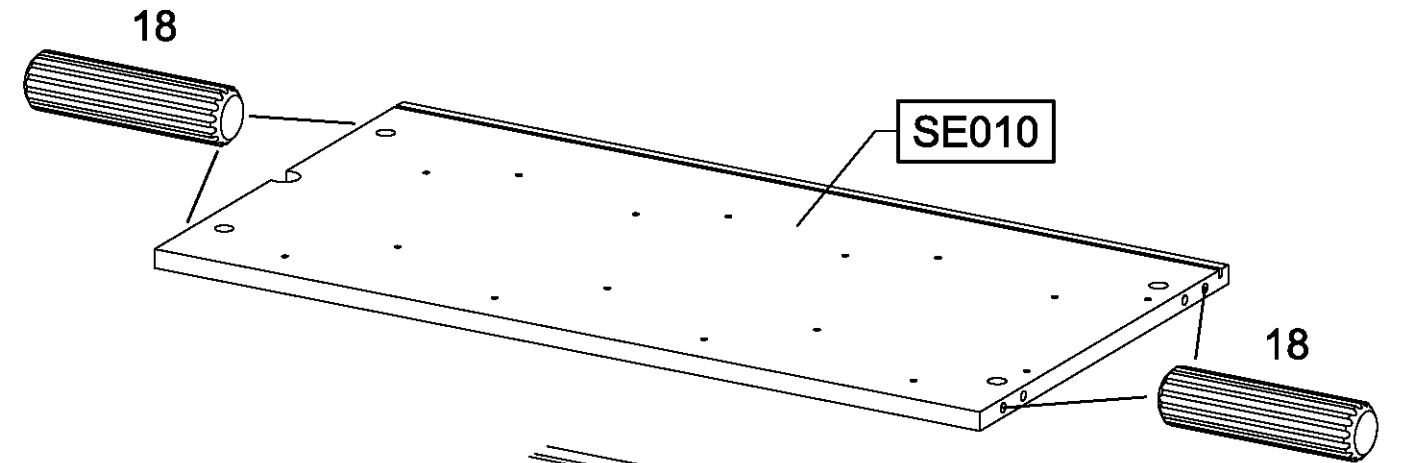
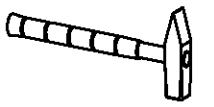


3



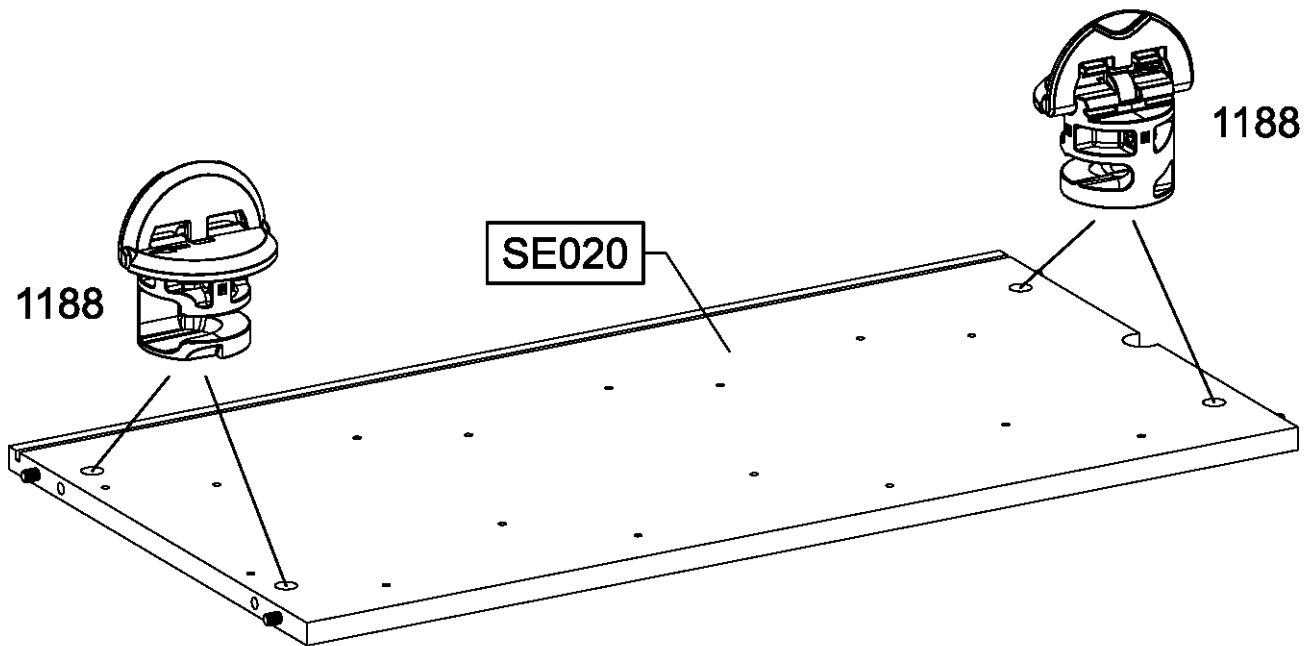
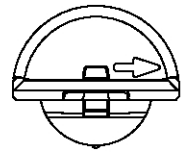
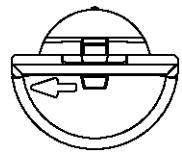
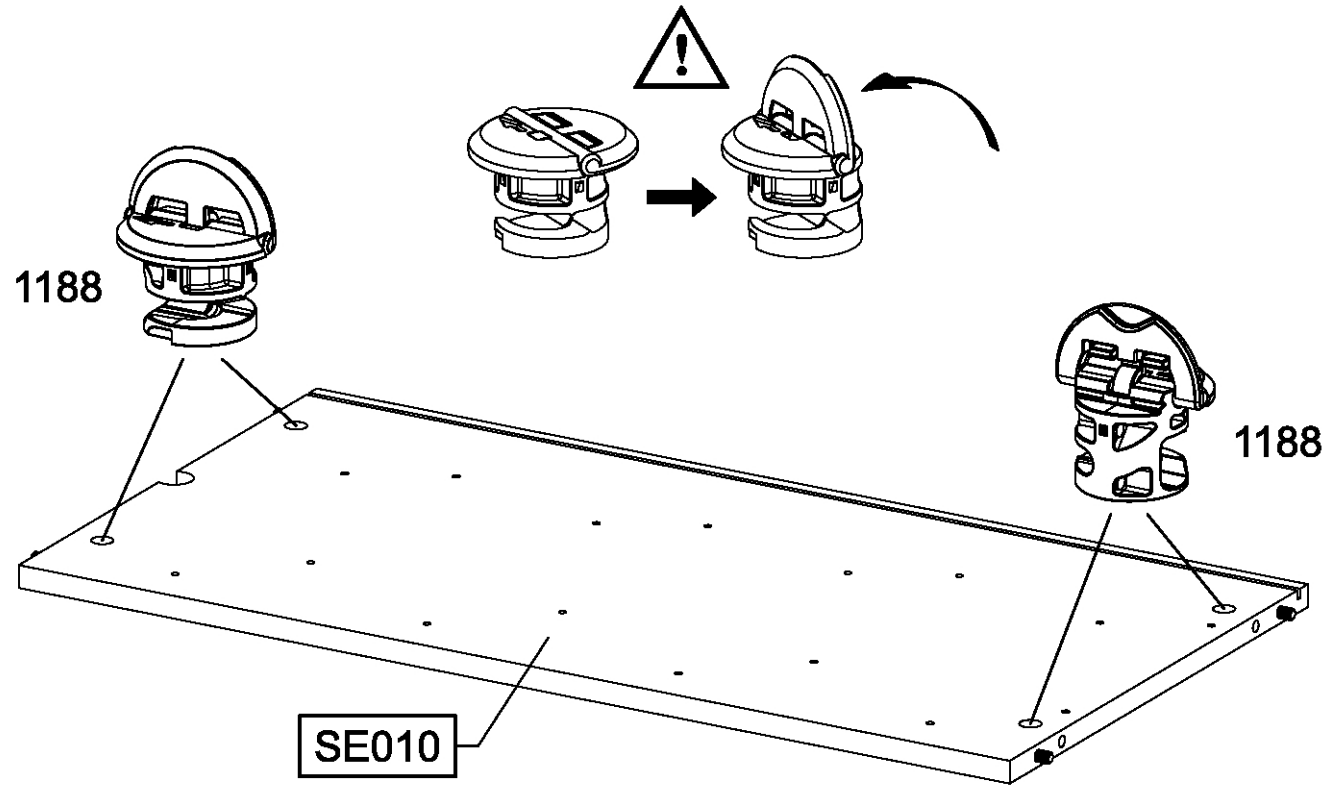
4

8x 18 8x30



5

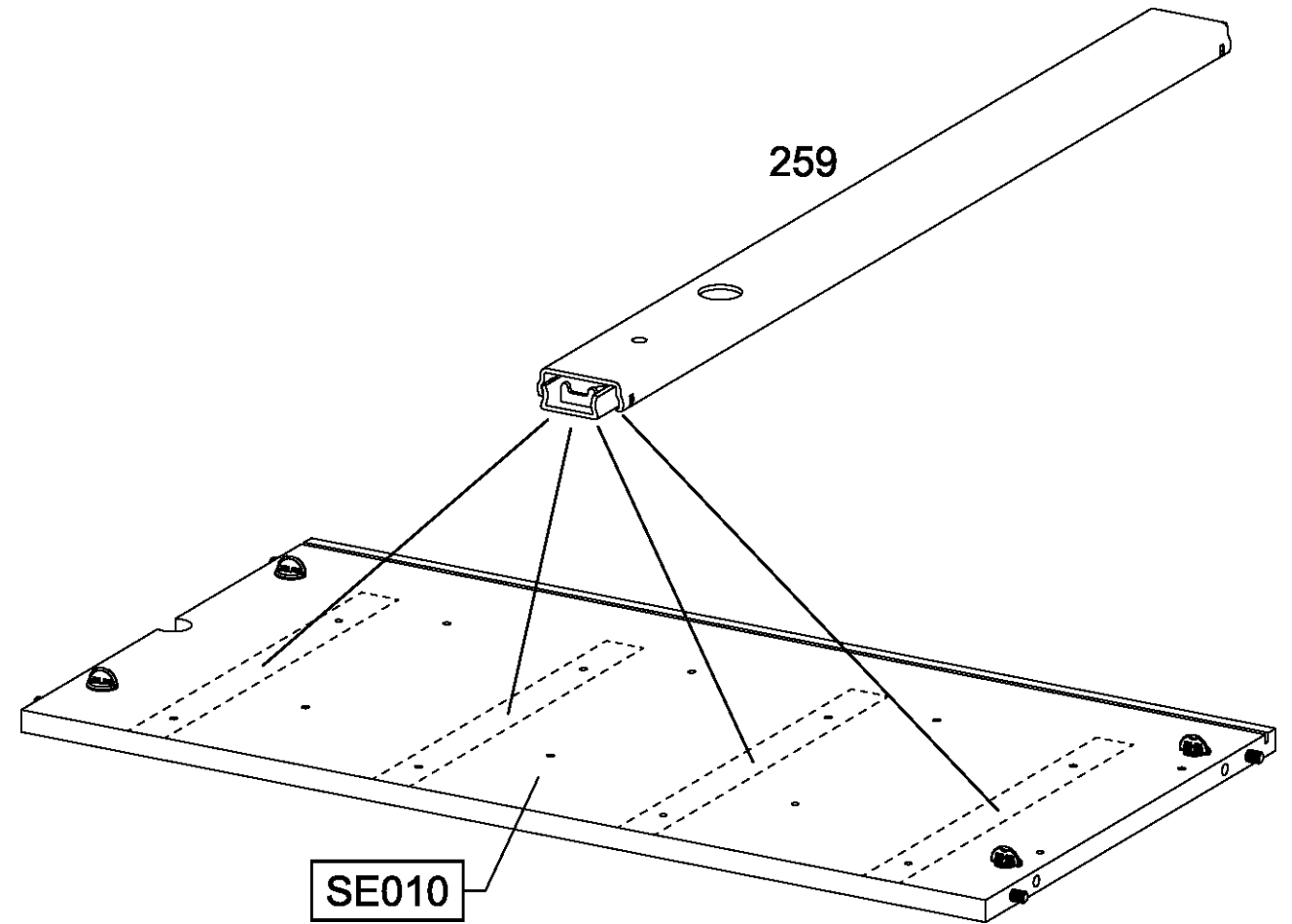
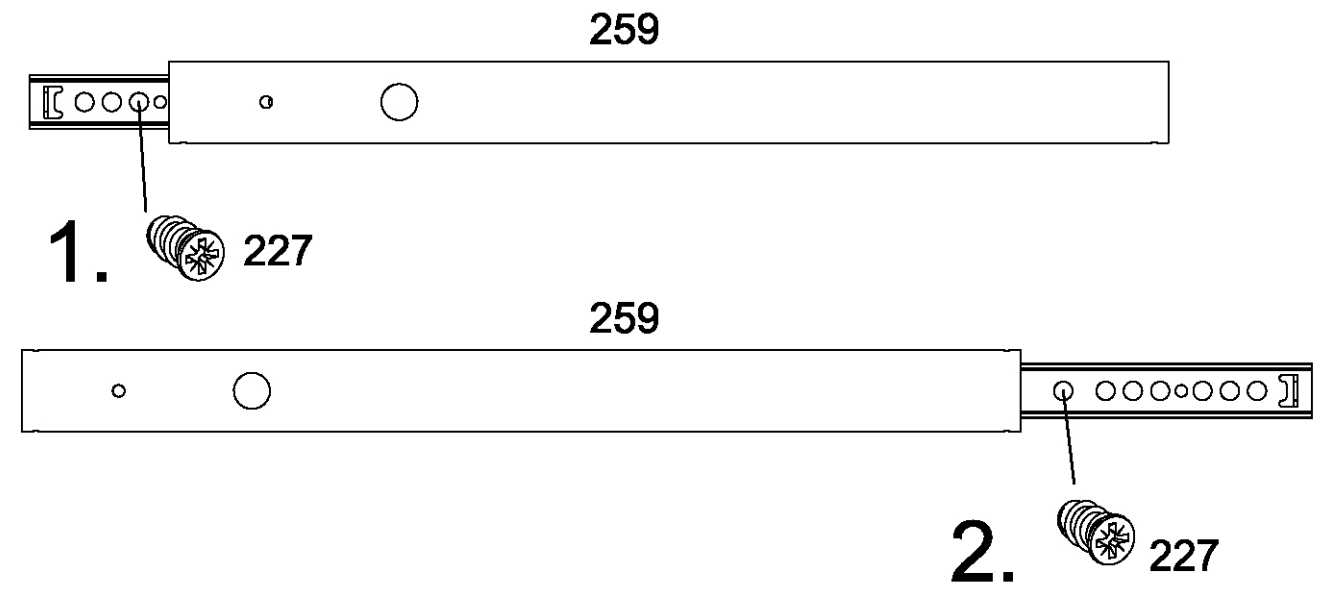
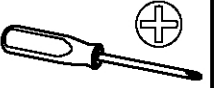
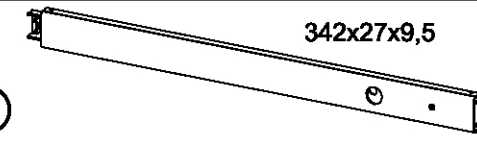
8x 1188



6

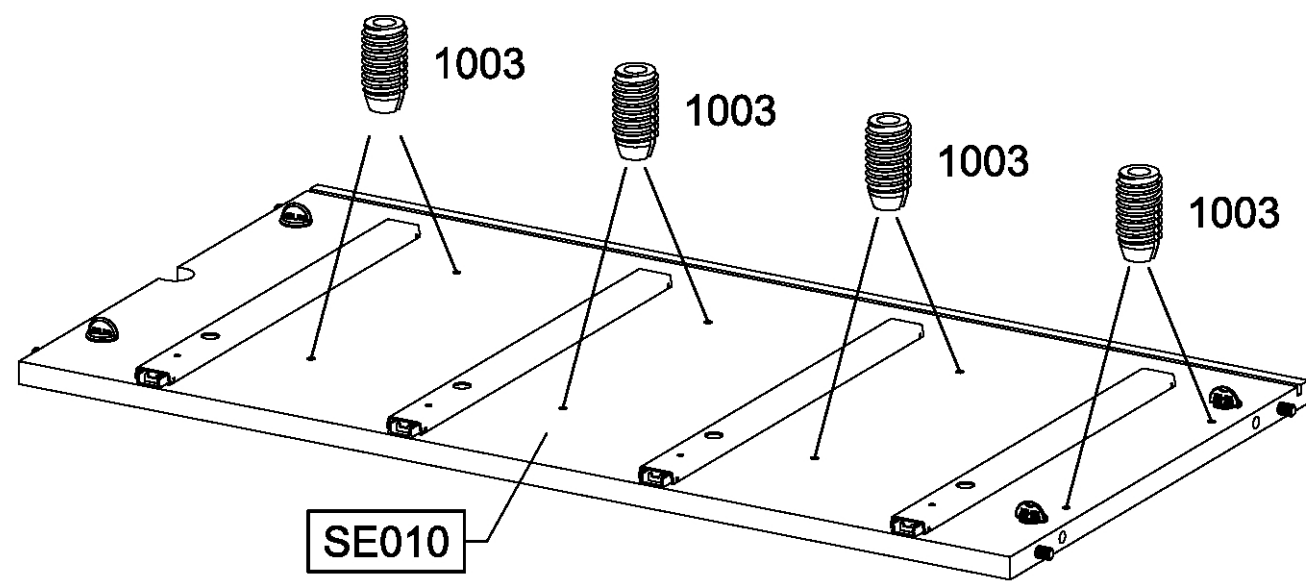
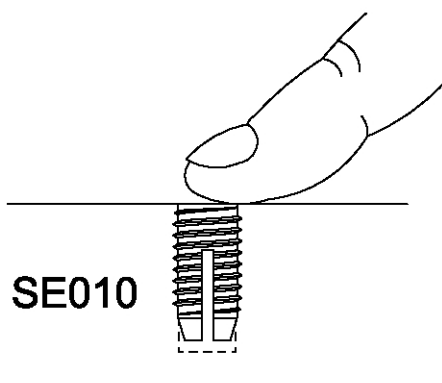
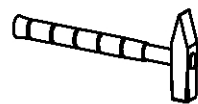
8x 227 6x10,5

4x 259



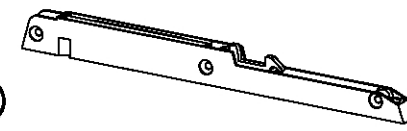
7

8x 1003 6x12

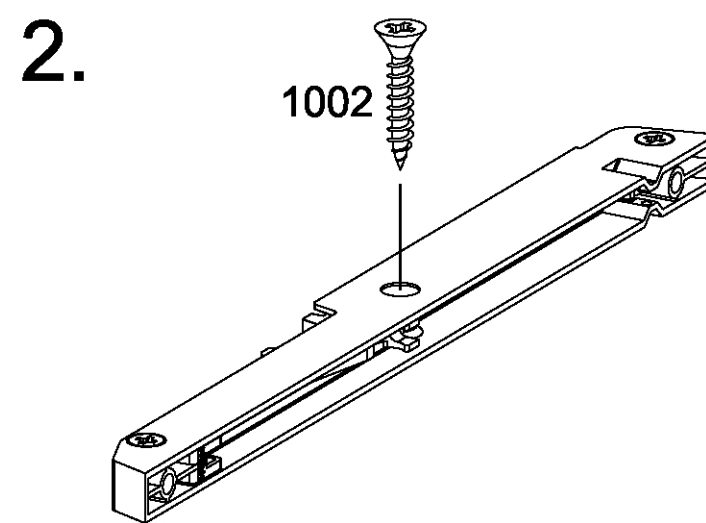
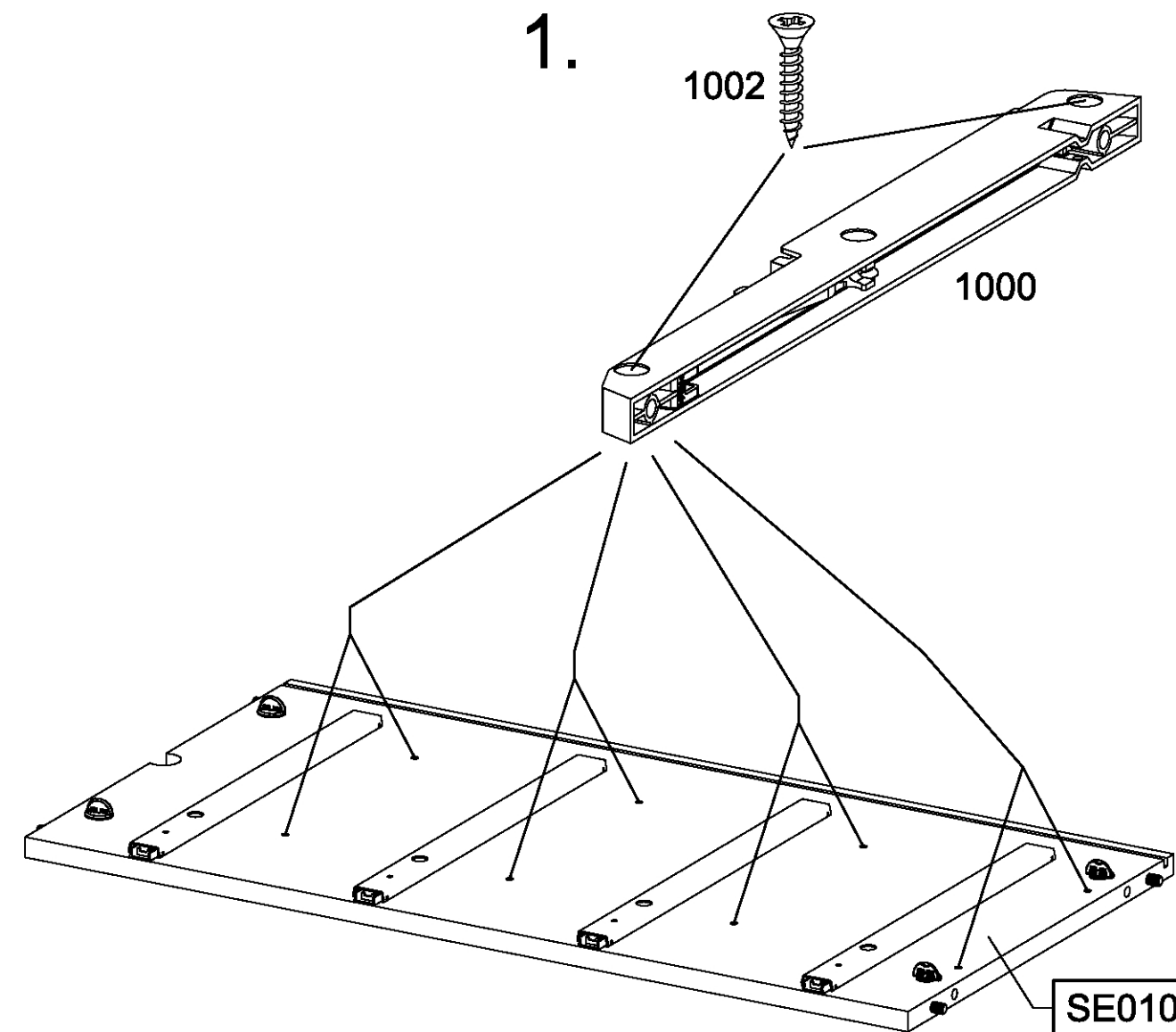
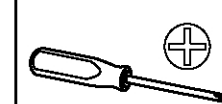


8

4x 1000



12x 1002 3,5x20



9

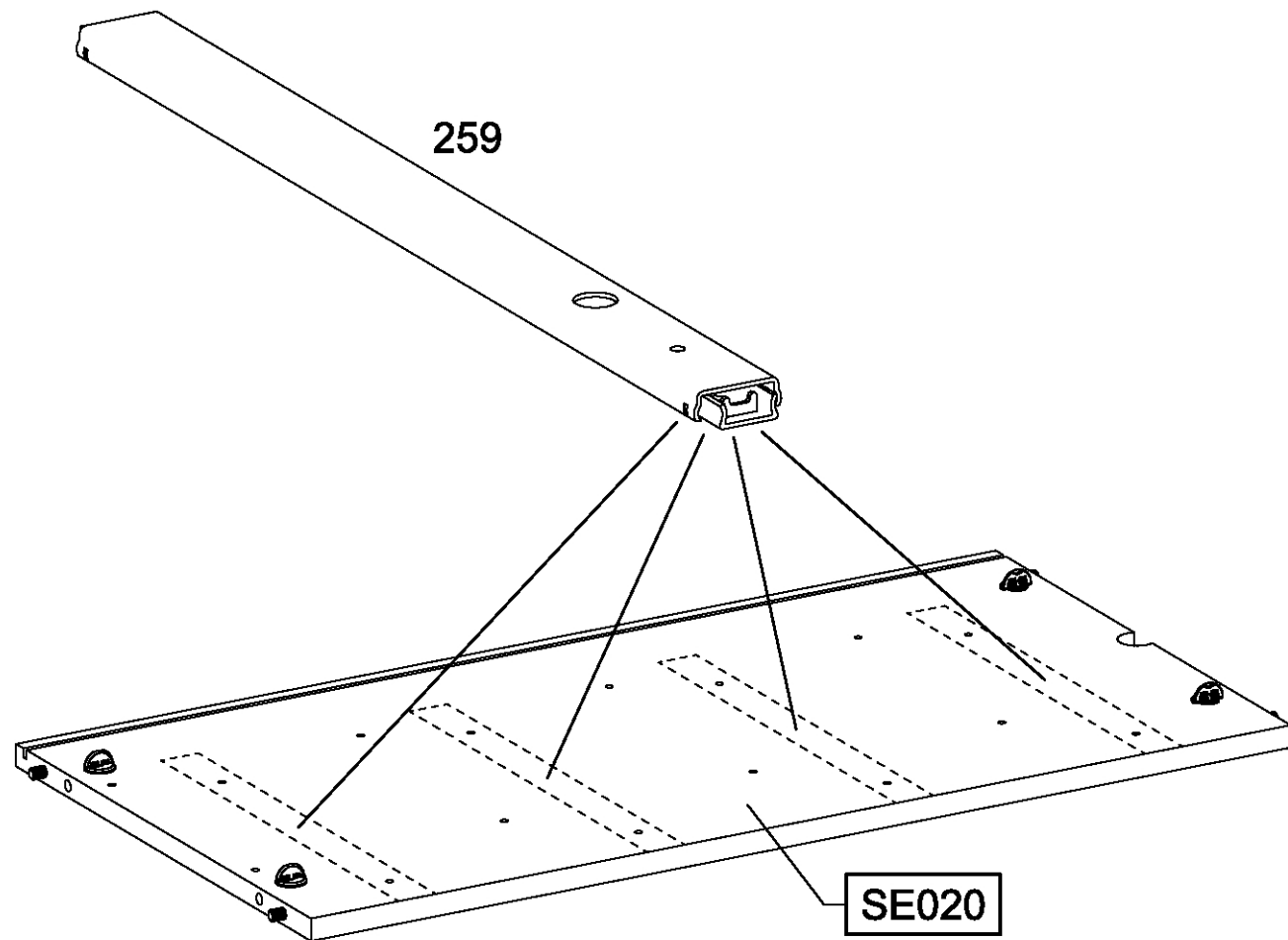
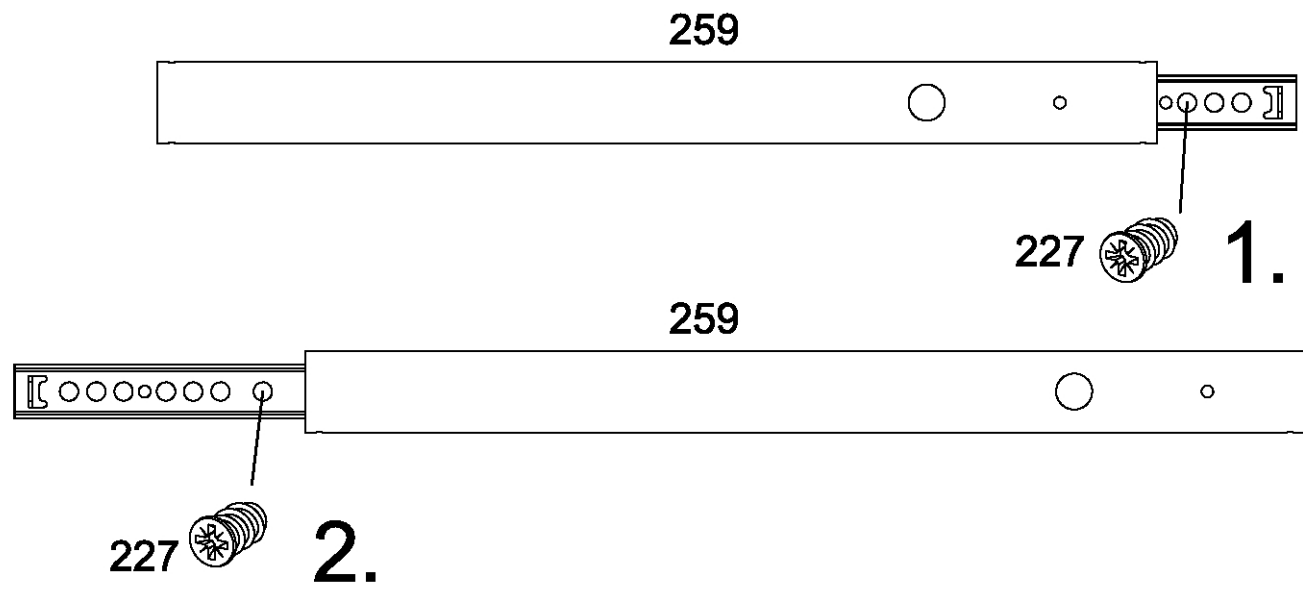
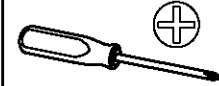
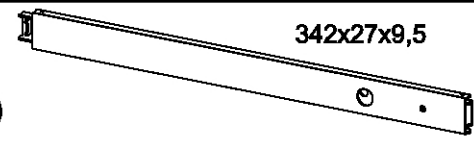
8x

227

6x10,5

4x

259

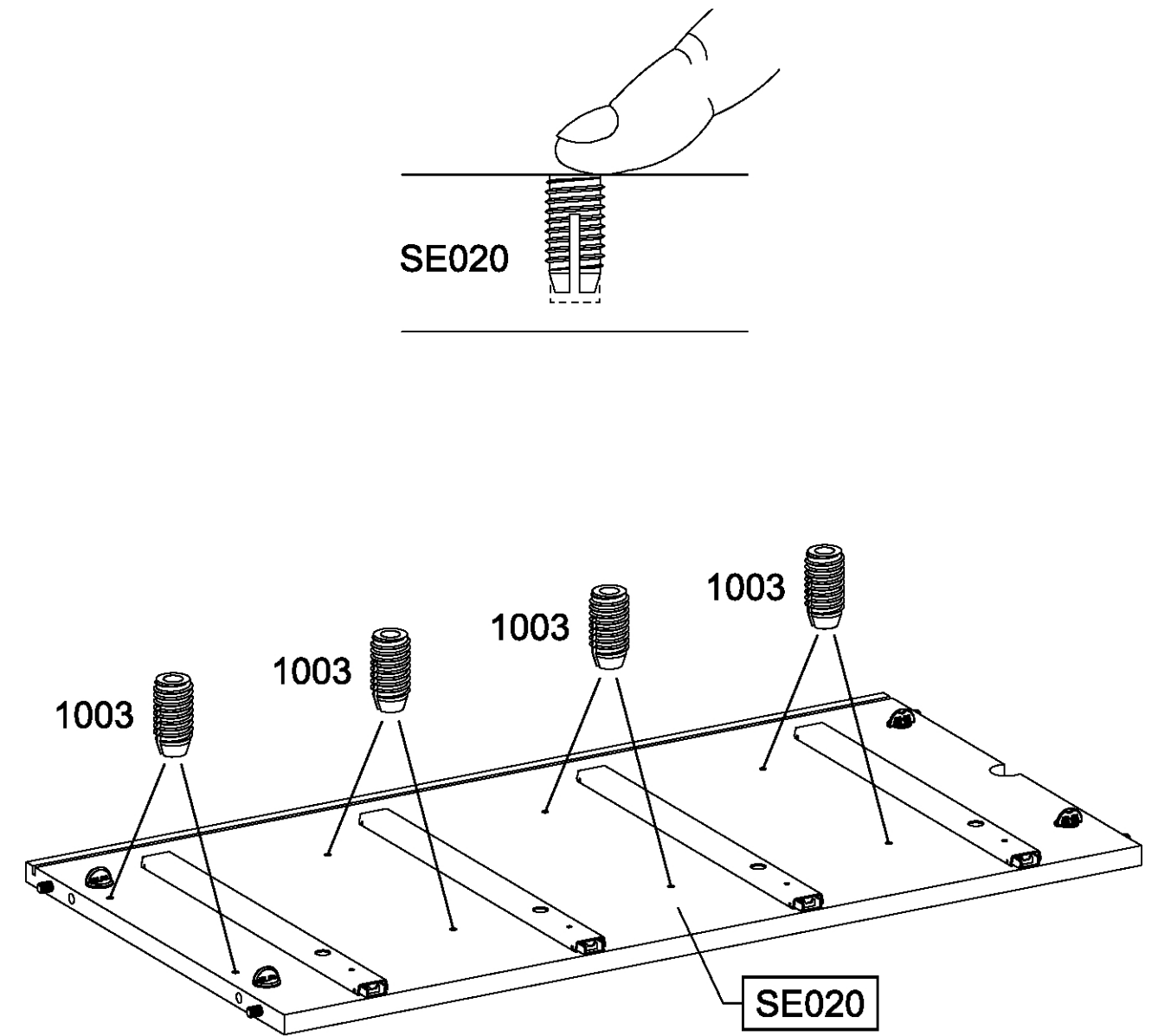
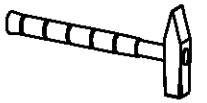


10

8x

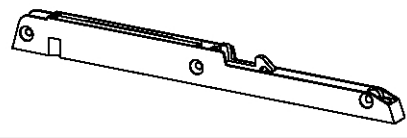
1003

6x12

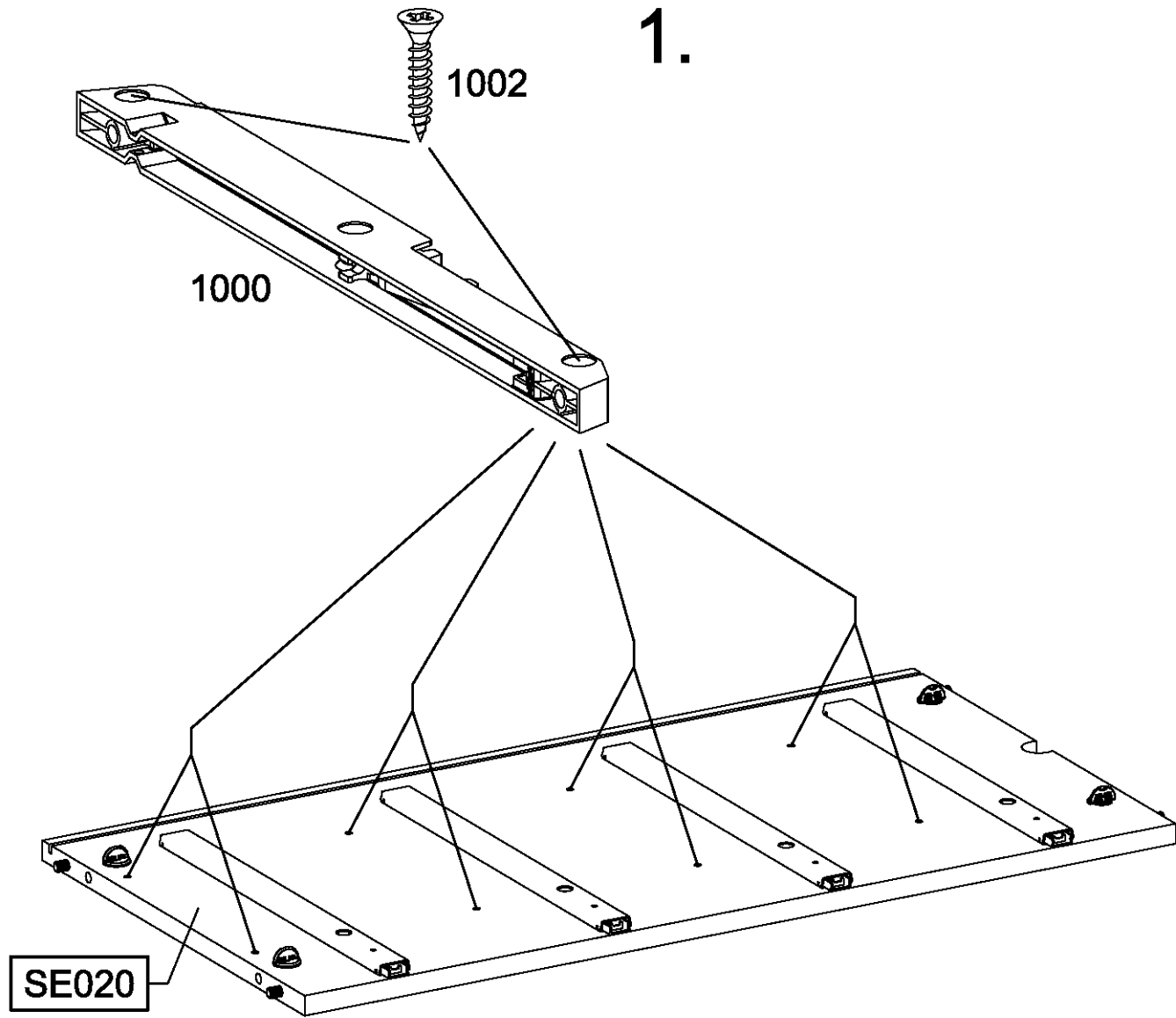
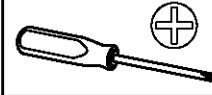
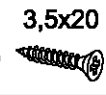


11

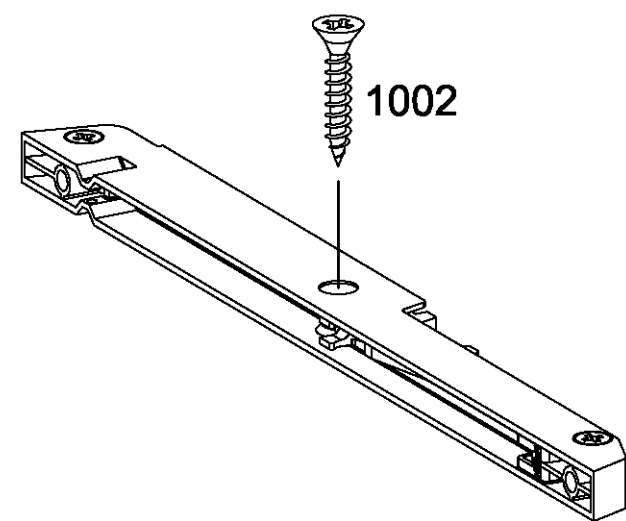
4x 1000



12x 1002

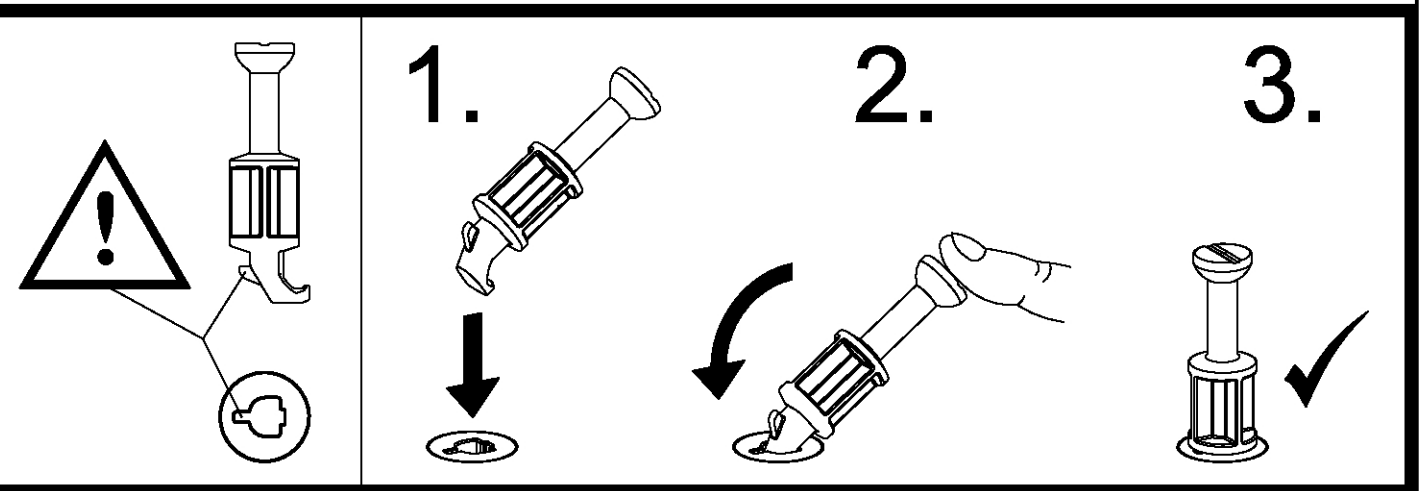
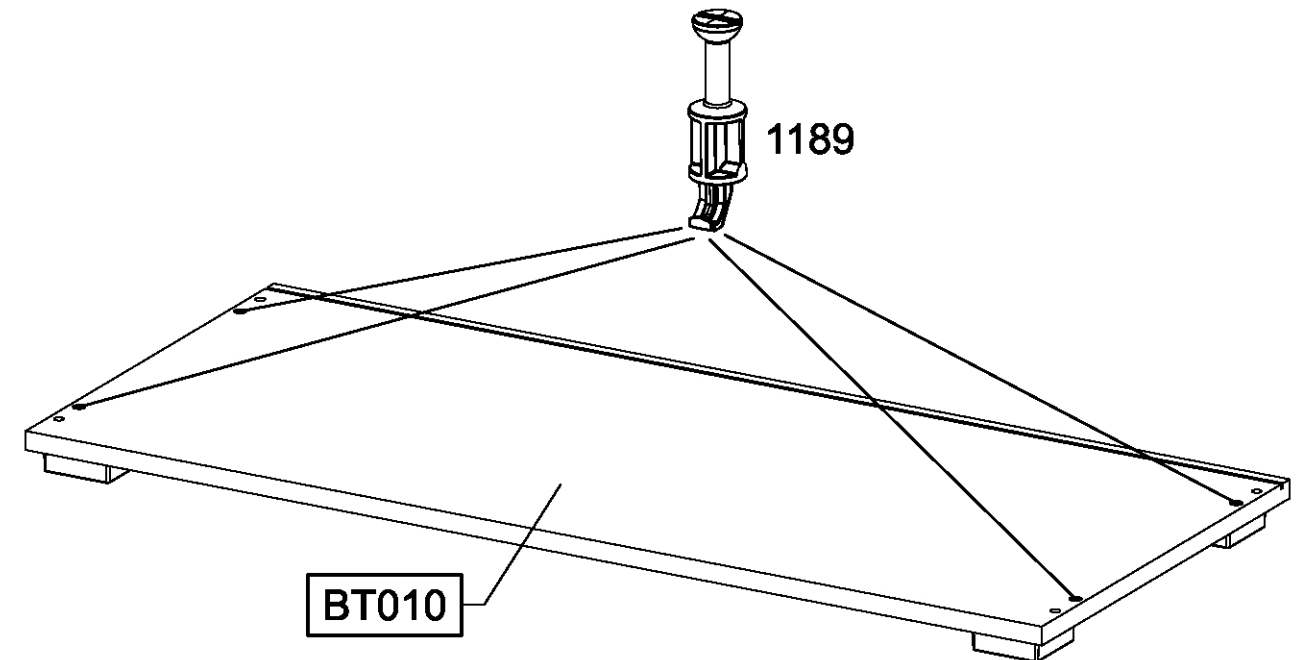


2.

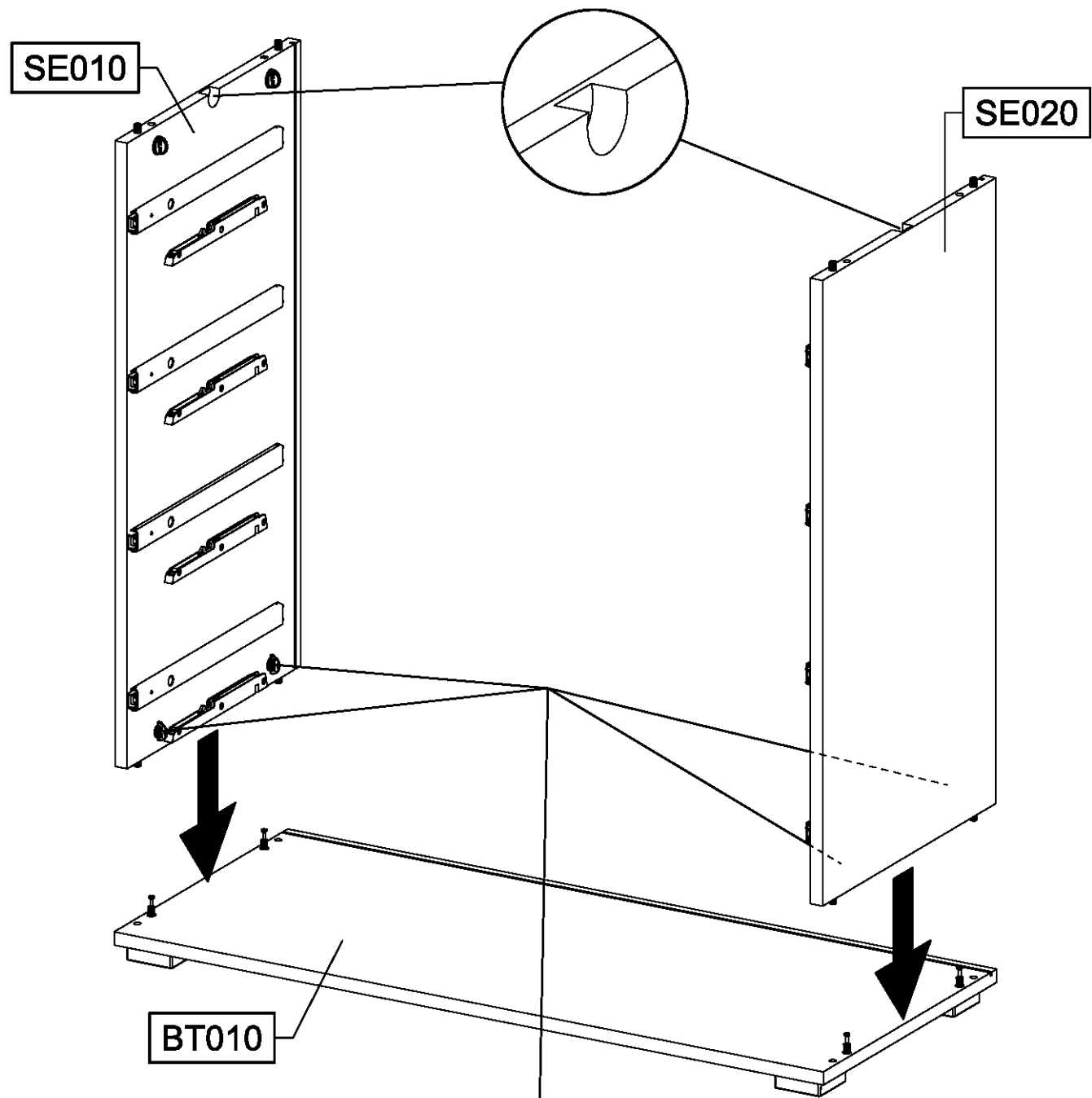


12

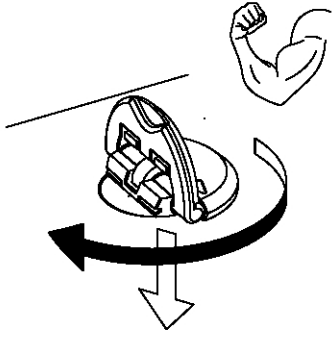
4x 1189



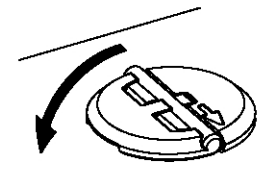
13



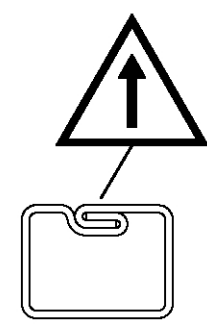
1.



2.



14

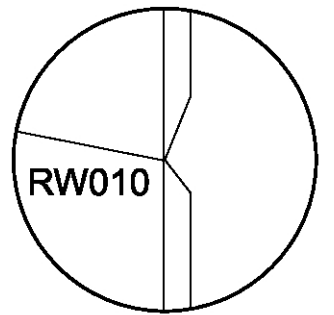


SE010

RW010

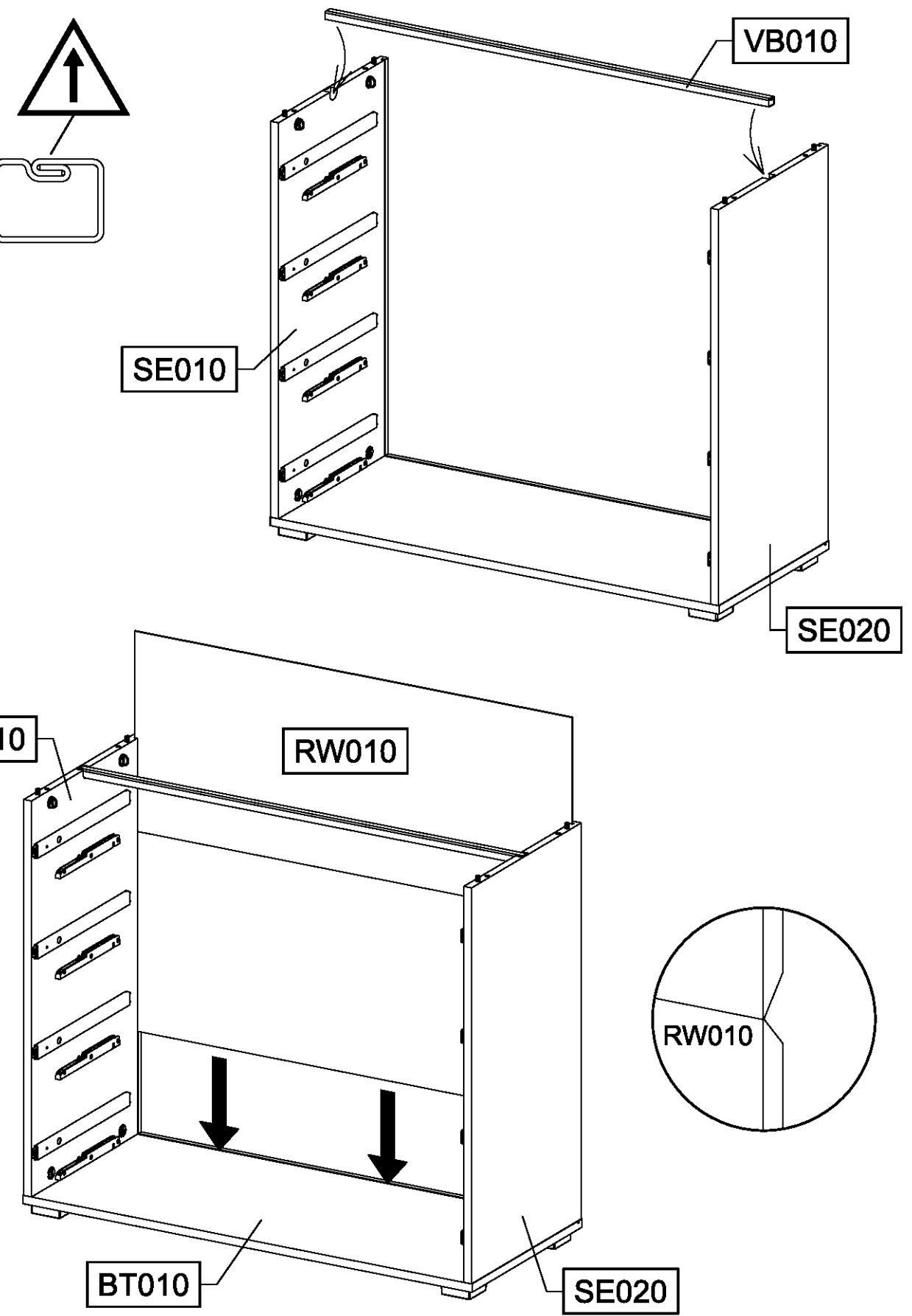
VB010

SE020



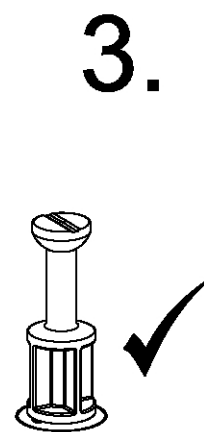
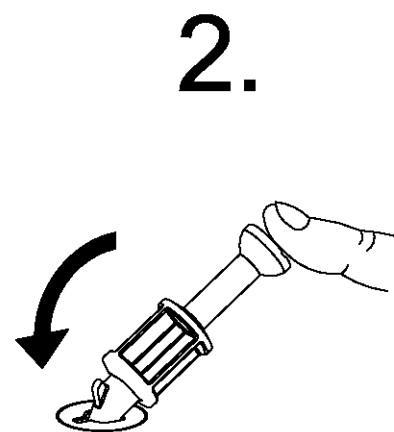
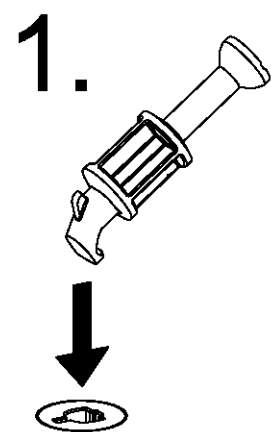
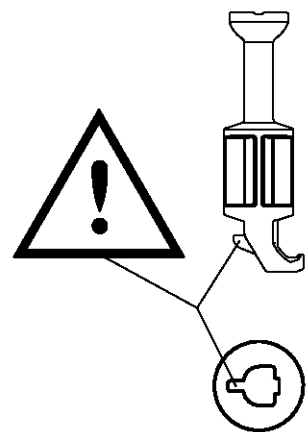
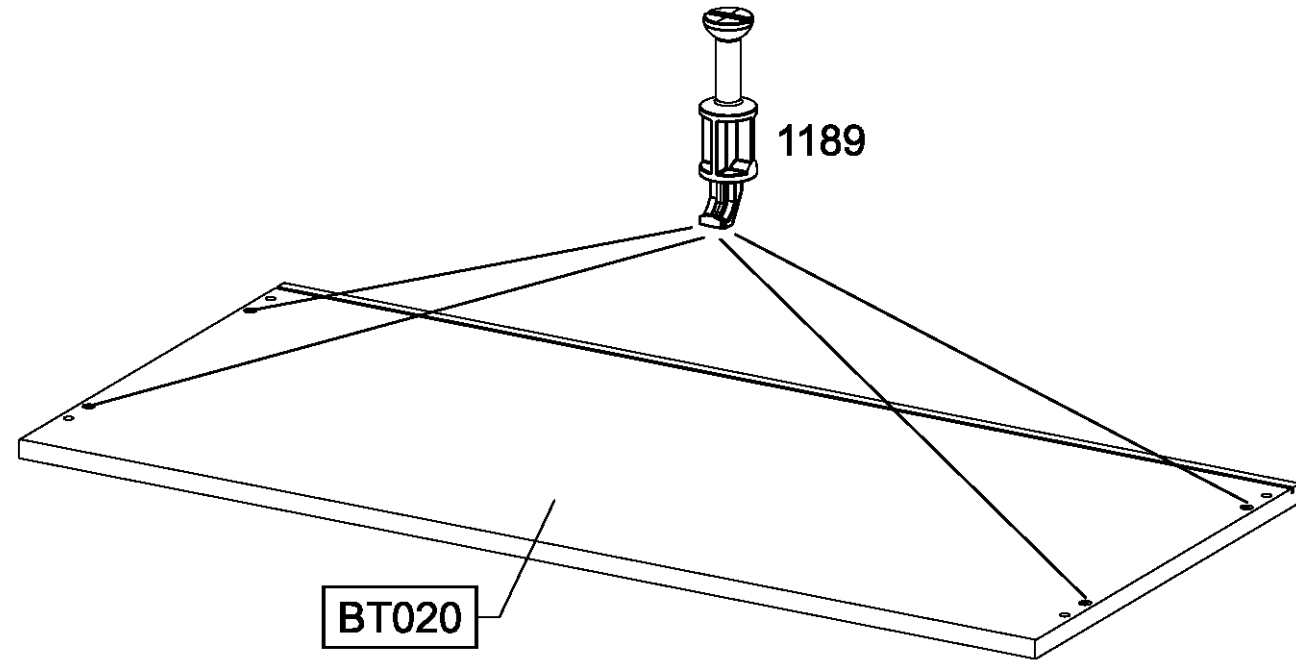
BT010

SE020

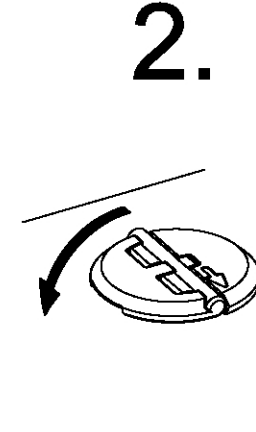
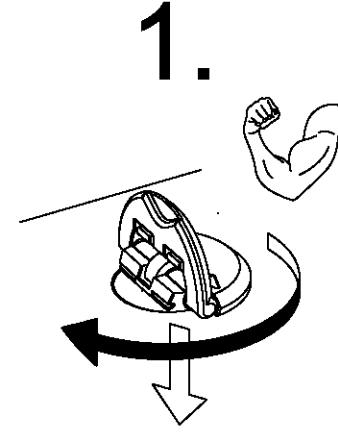
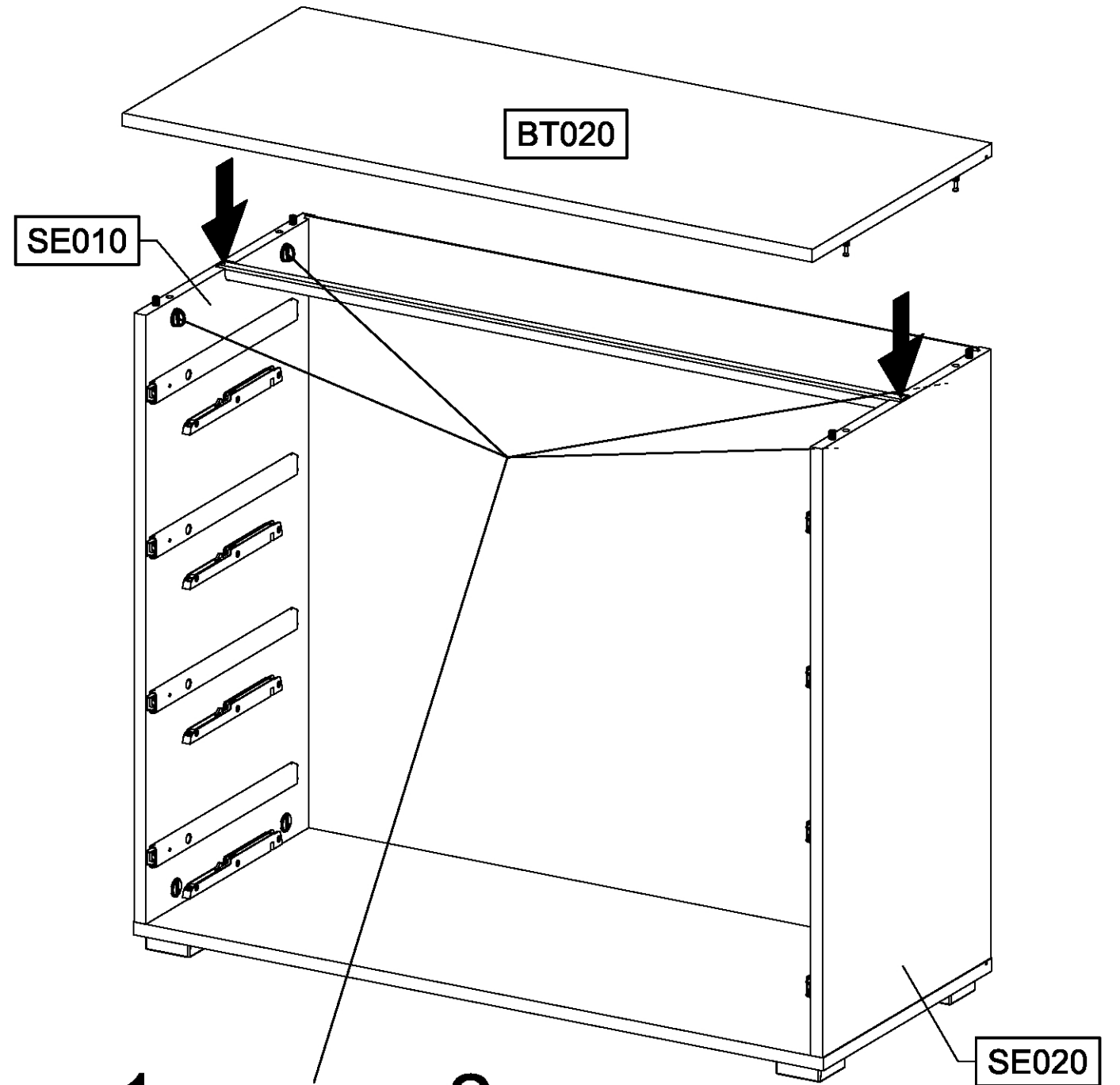


15

4x 1189



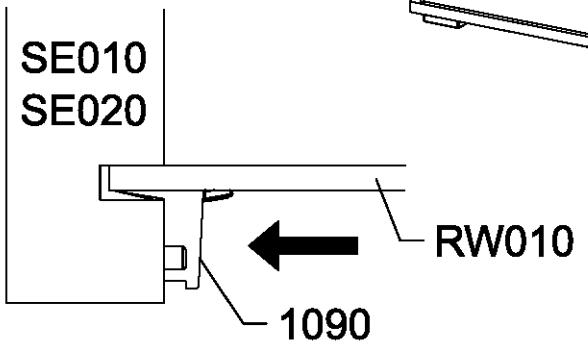
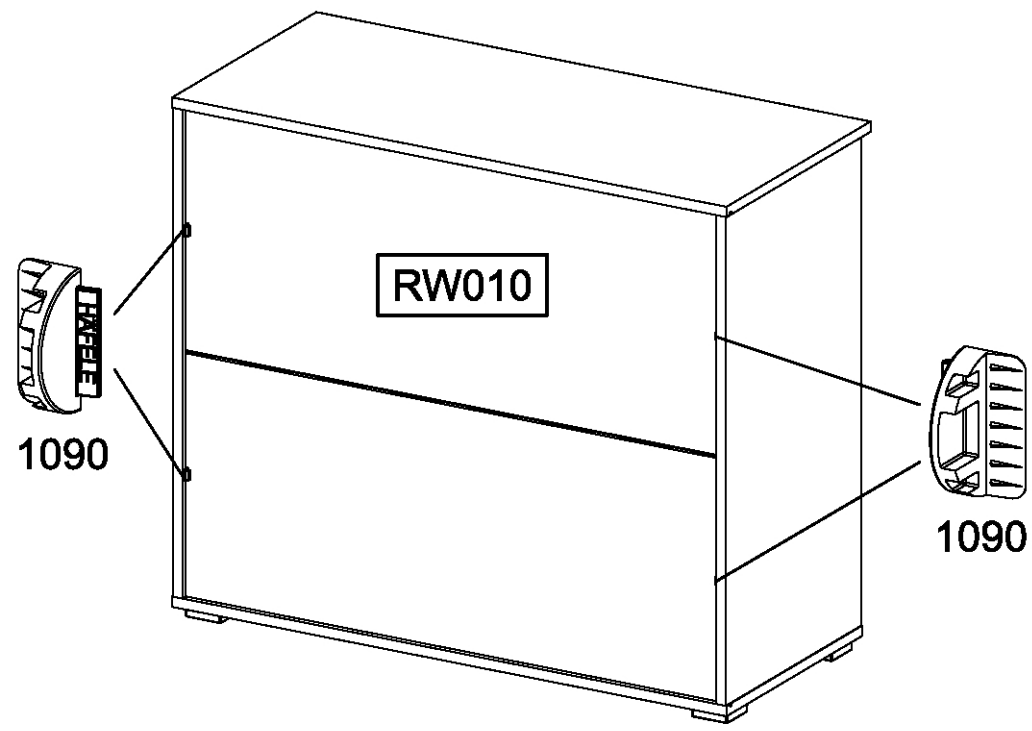
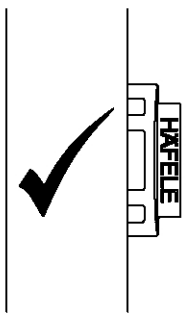
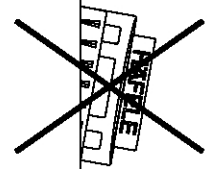
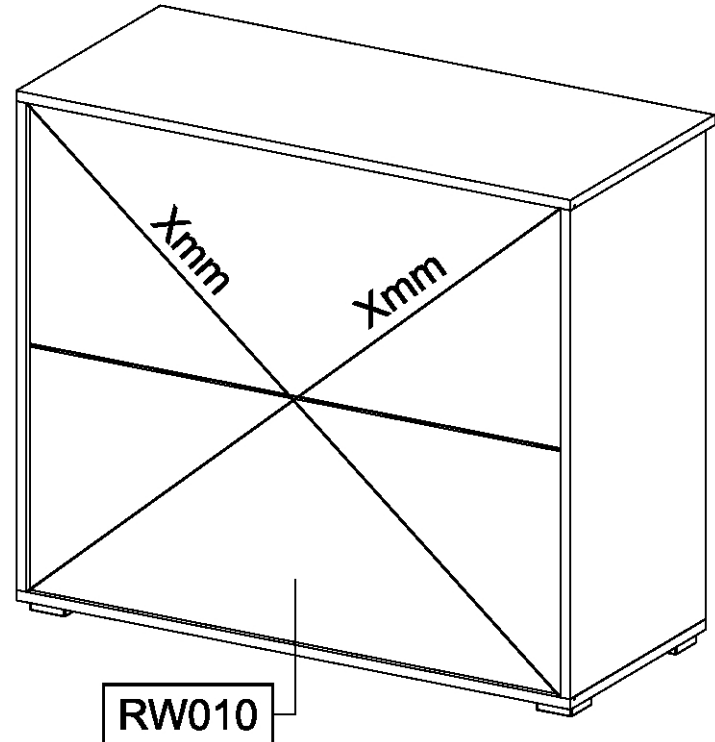
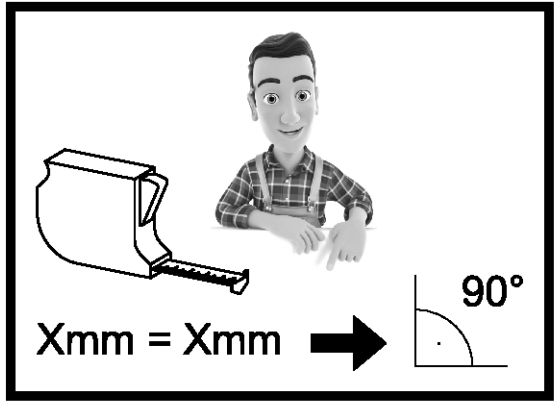
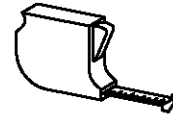
16



17

4x

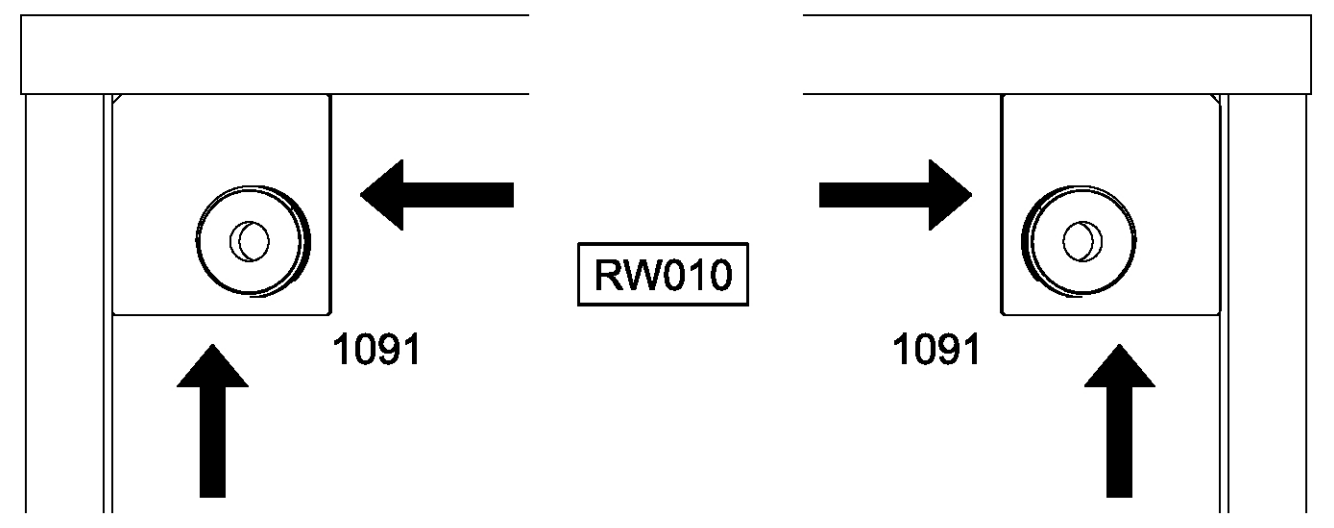
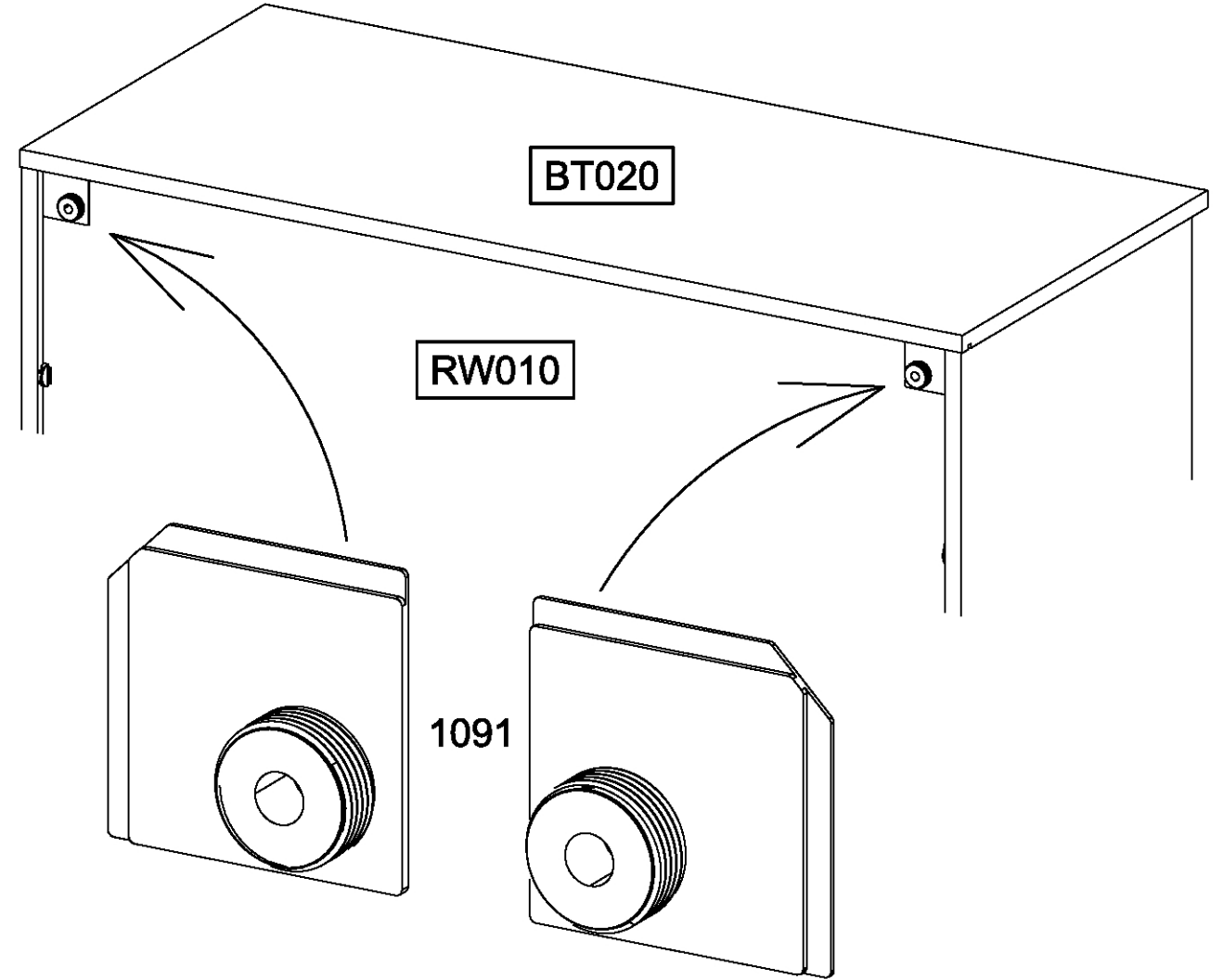
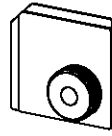
1090



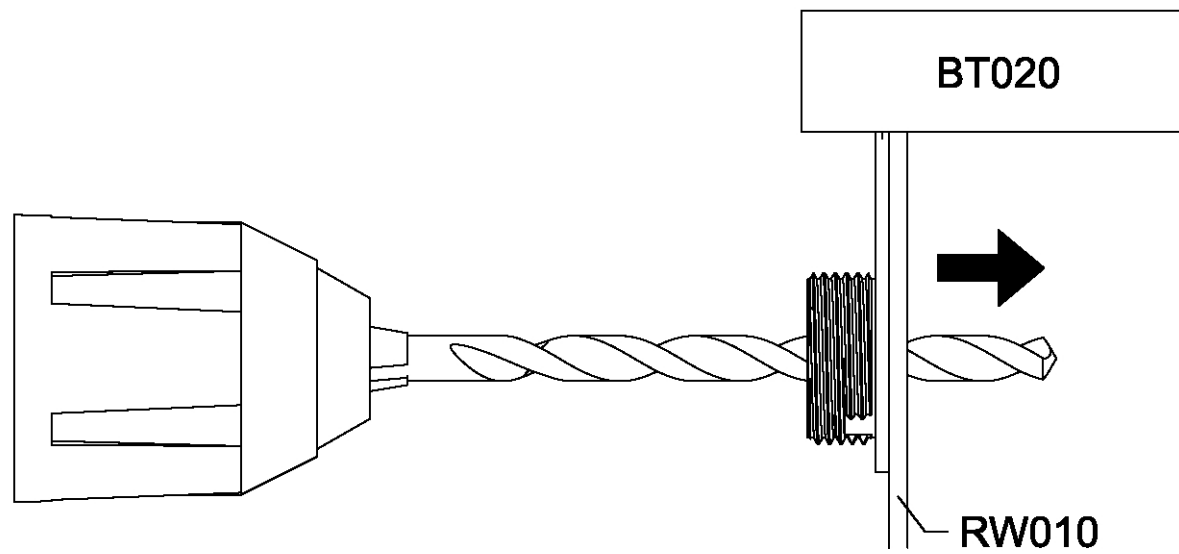
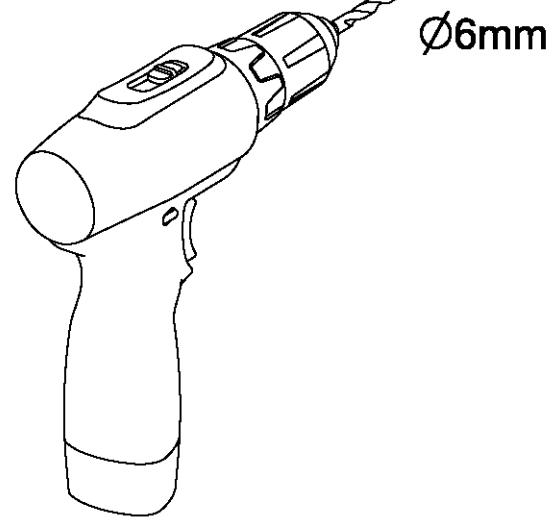
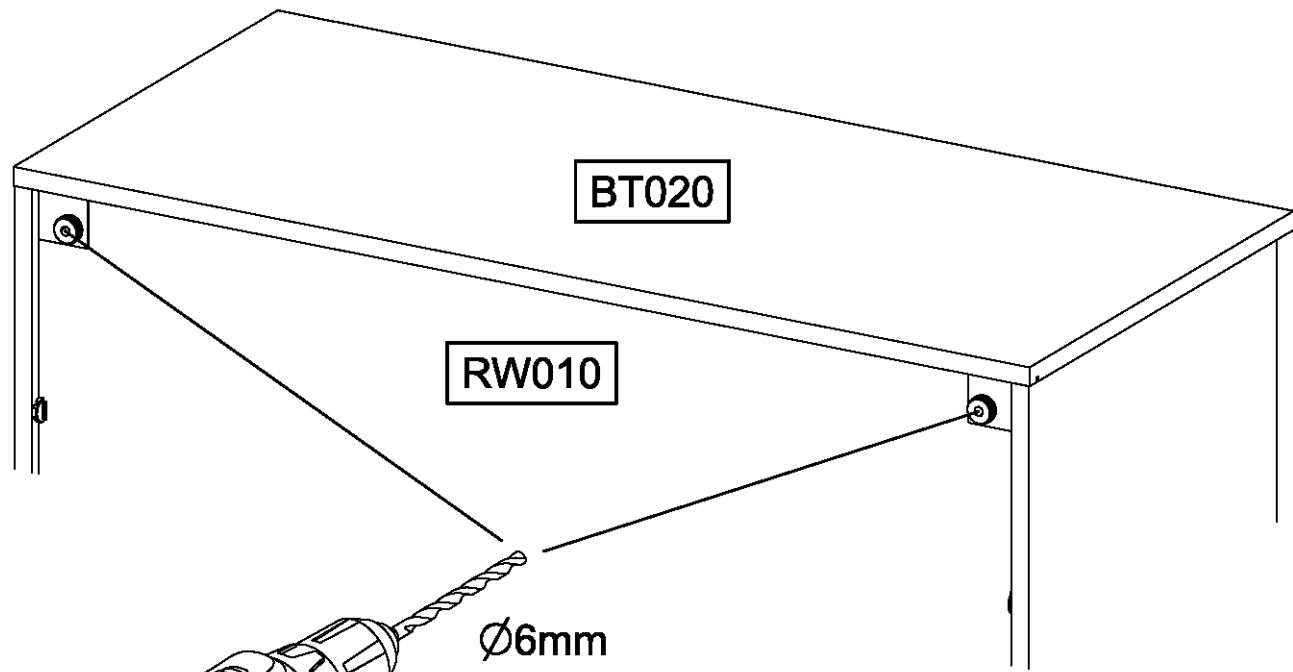
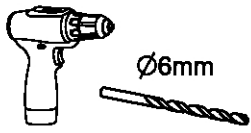
18

2x

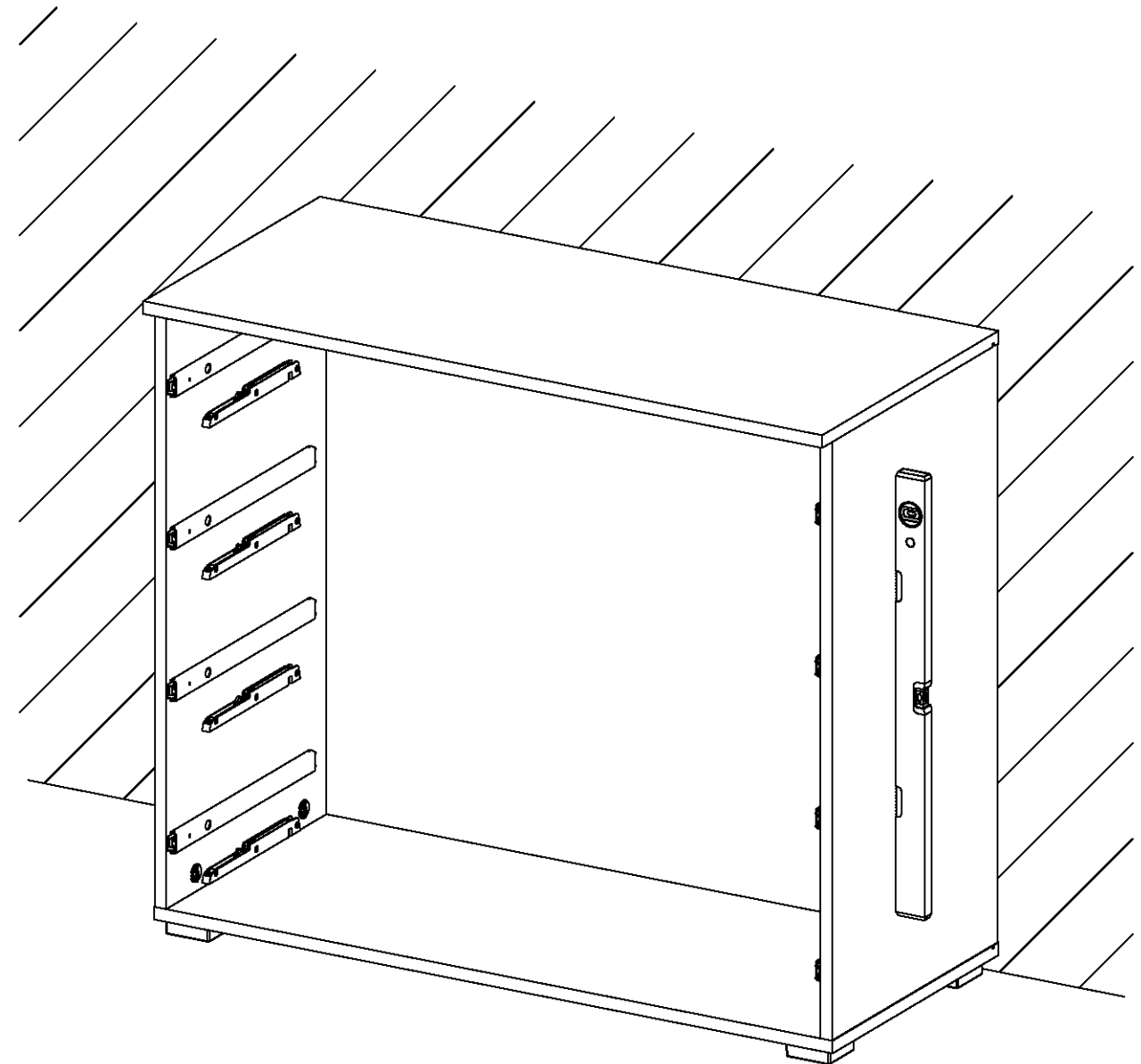
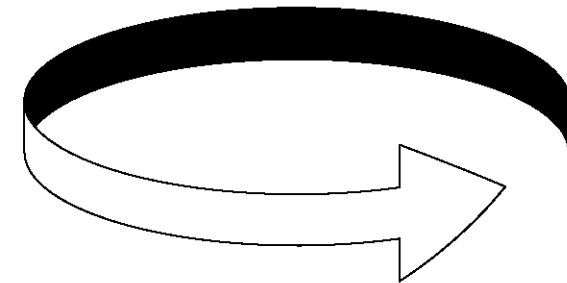
1091



19



20



21

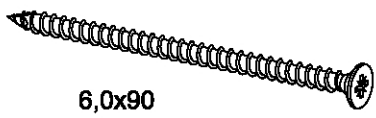
2x

1093

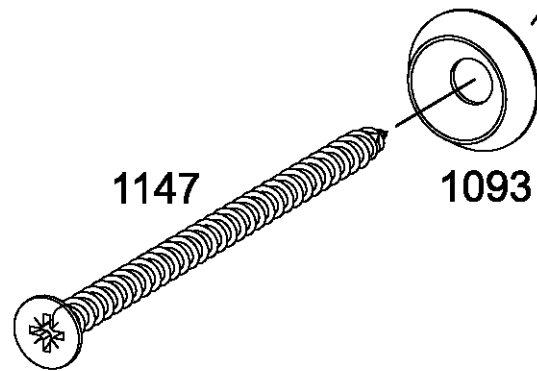
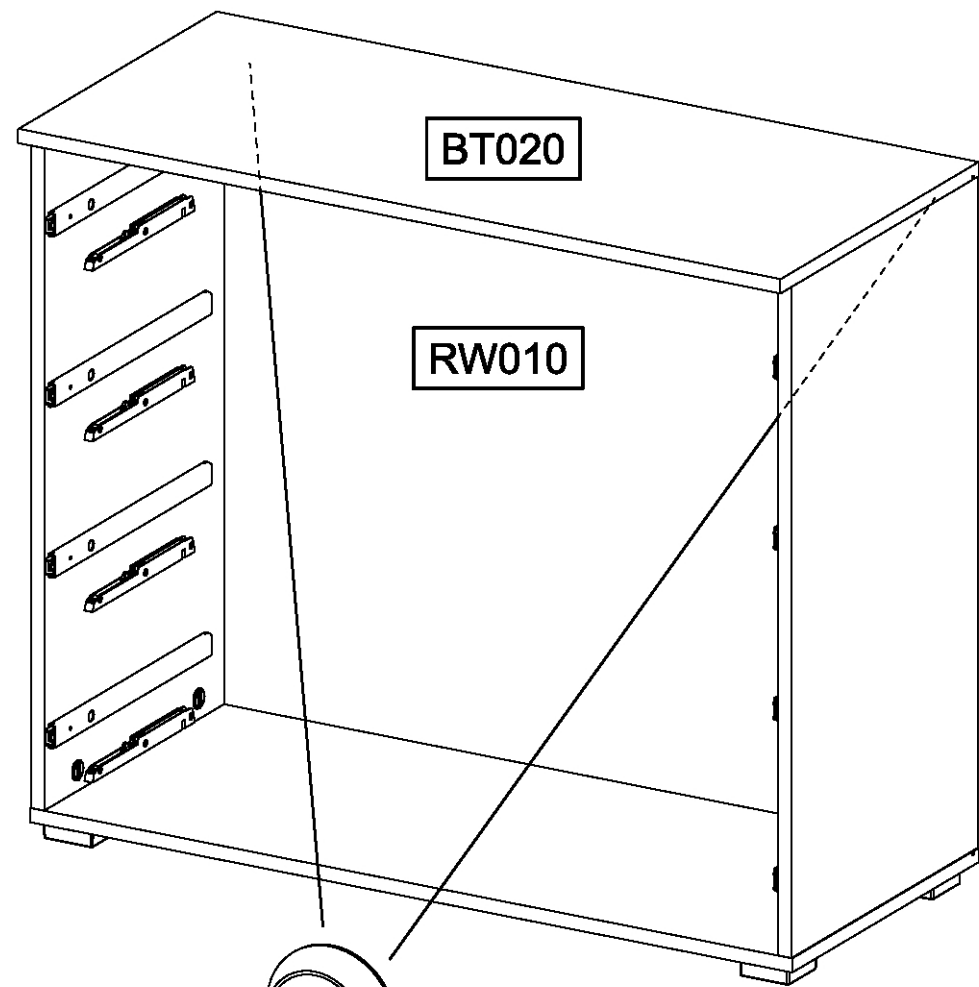


2x

1147

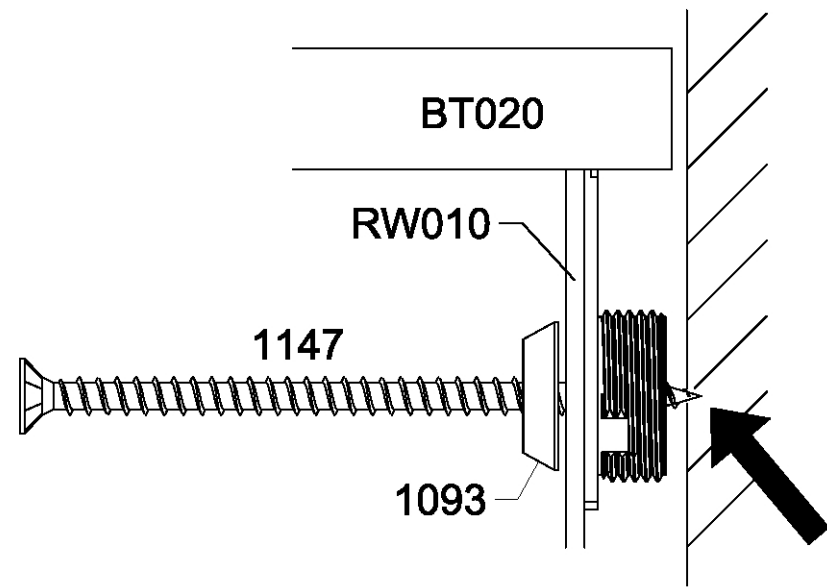


6,0x90



1147

1093



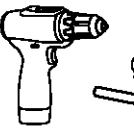
BT020

RW010

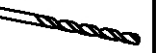
1147

1093

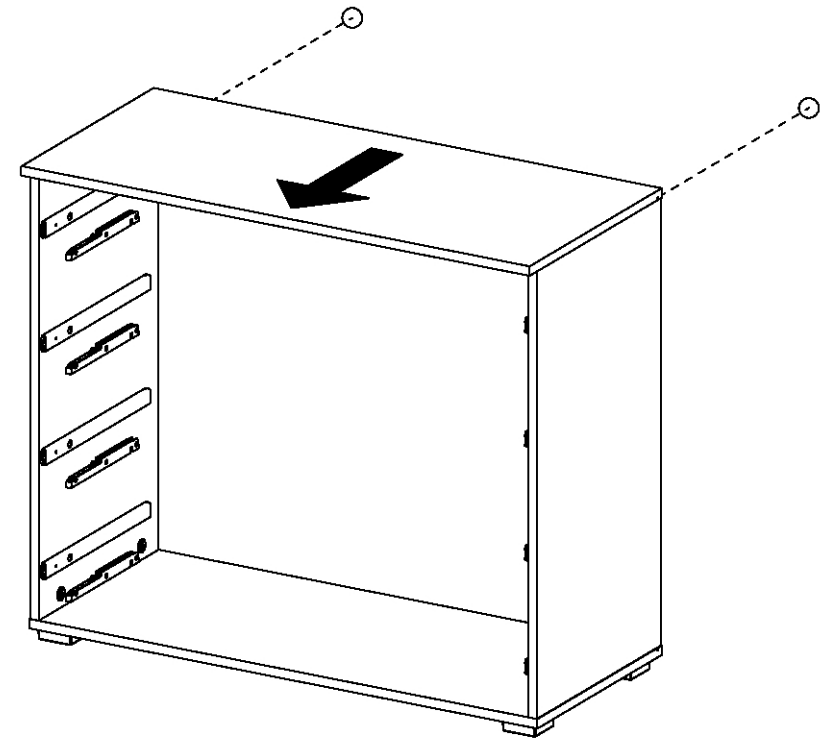
22



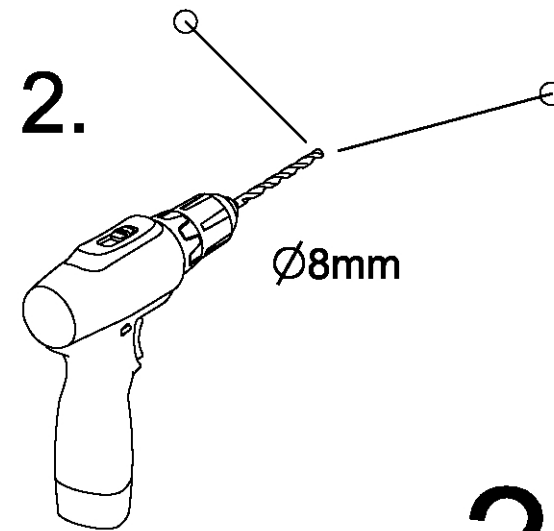
Ø8mm



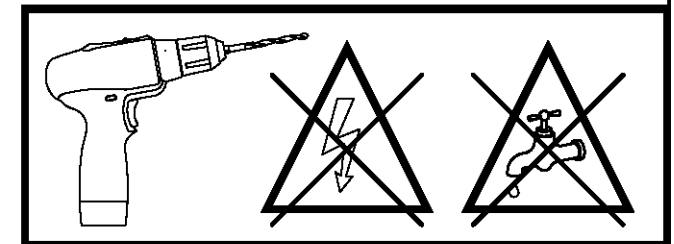
1.



2.

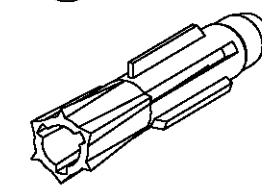
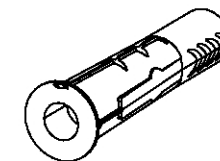


Ø8mm



?

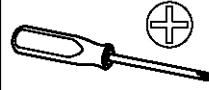
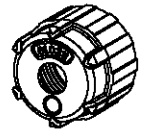
3.



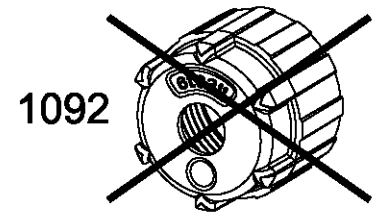
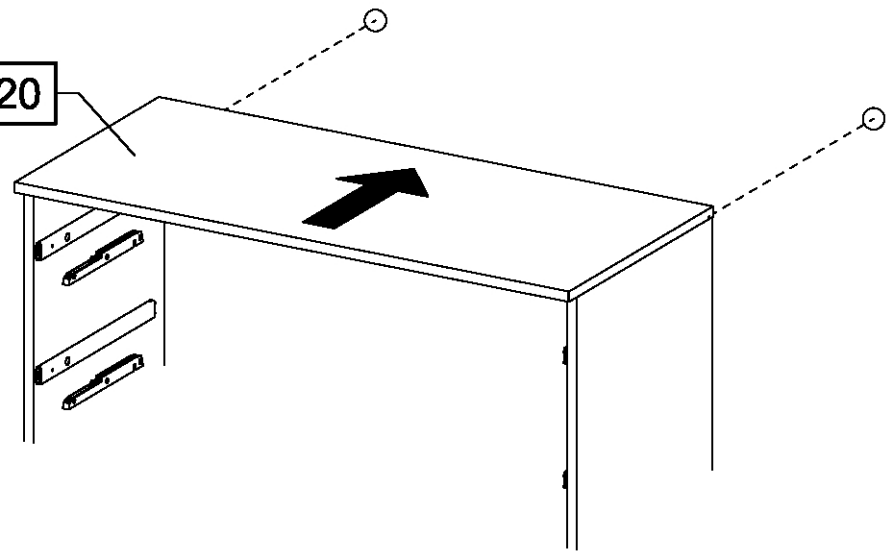
Ø8mm

23

2x 1092



BT020



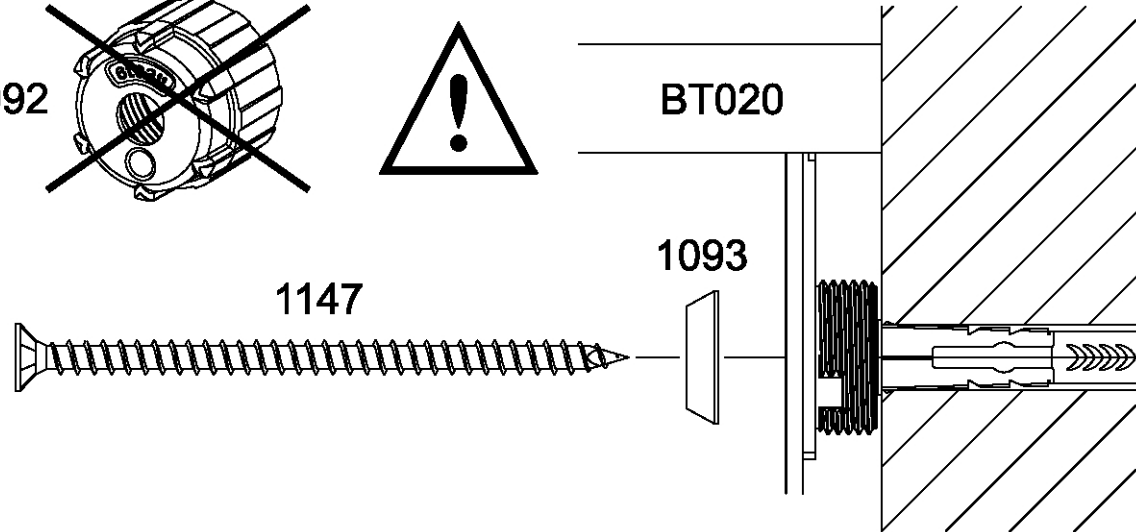
1092



BT020

1093

1147



10-15mm

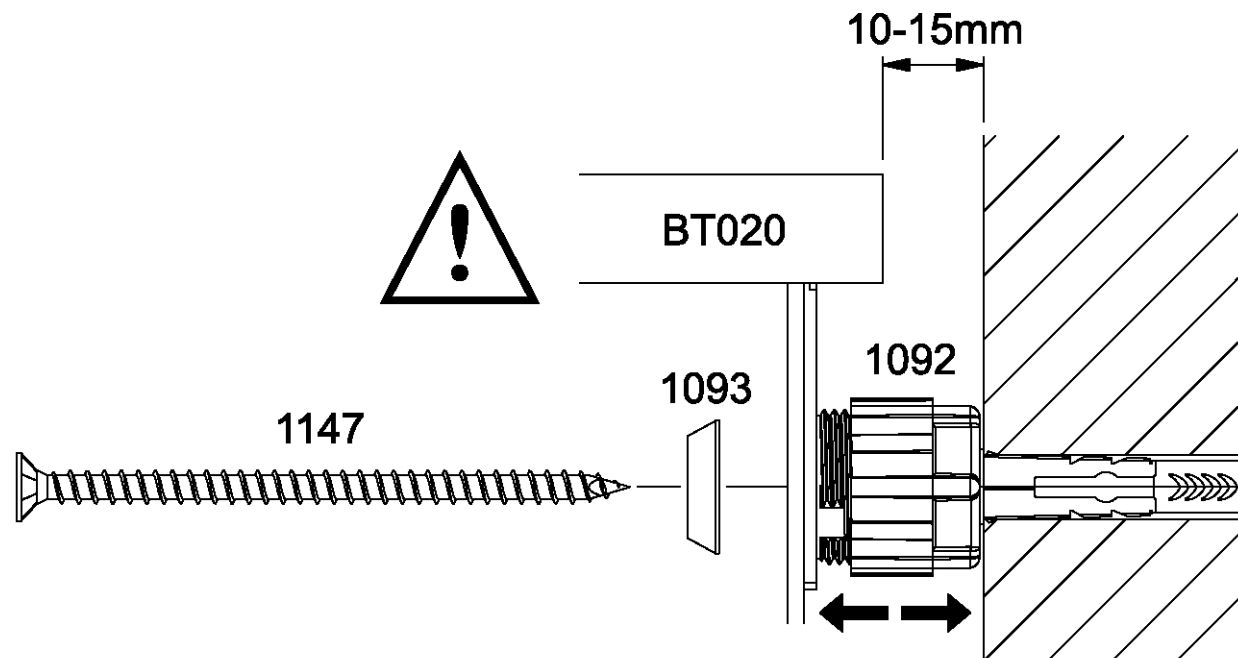


BT020

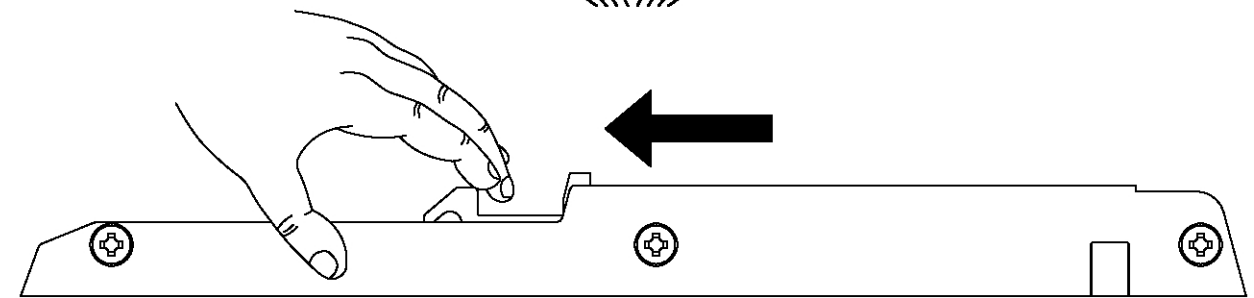
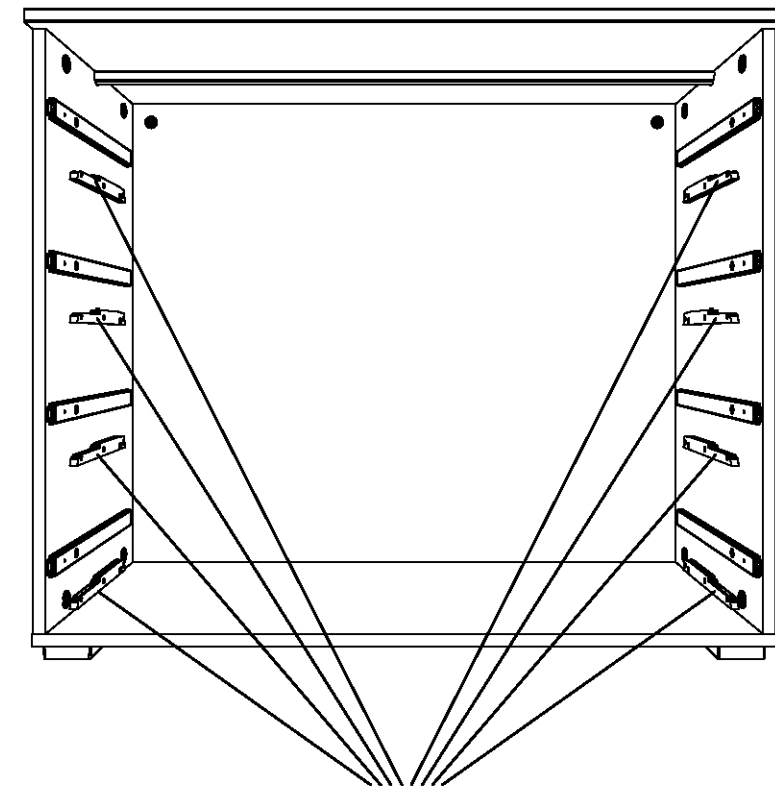
1093

1092

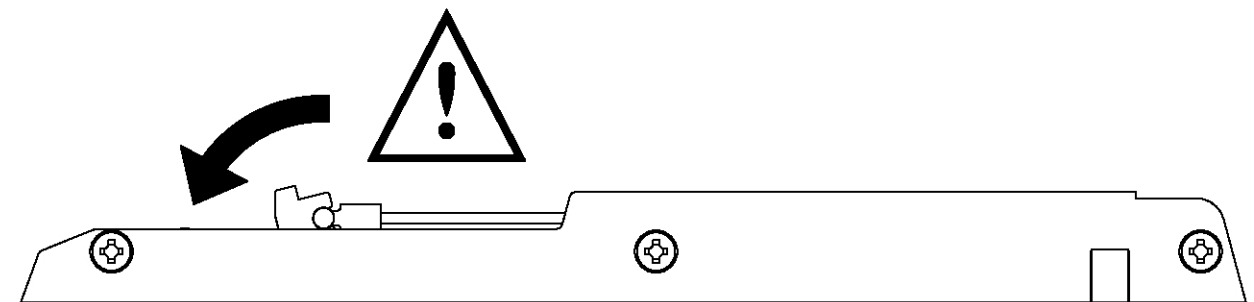
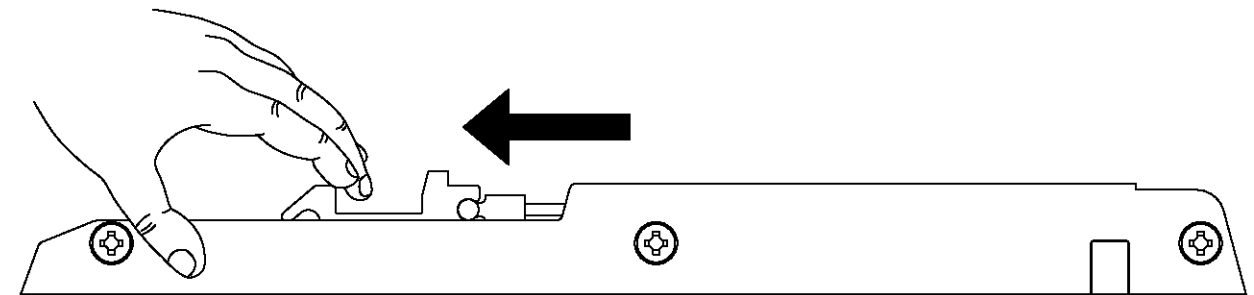
1147



24



1000



25

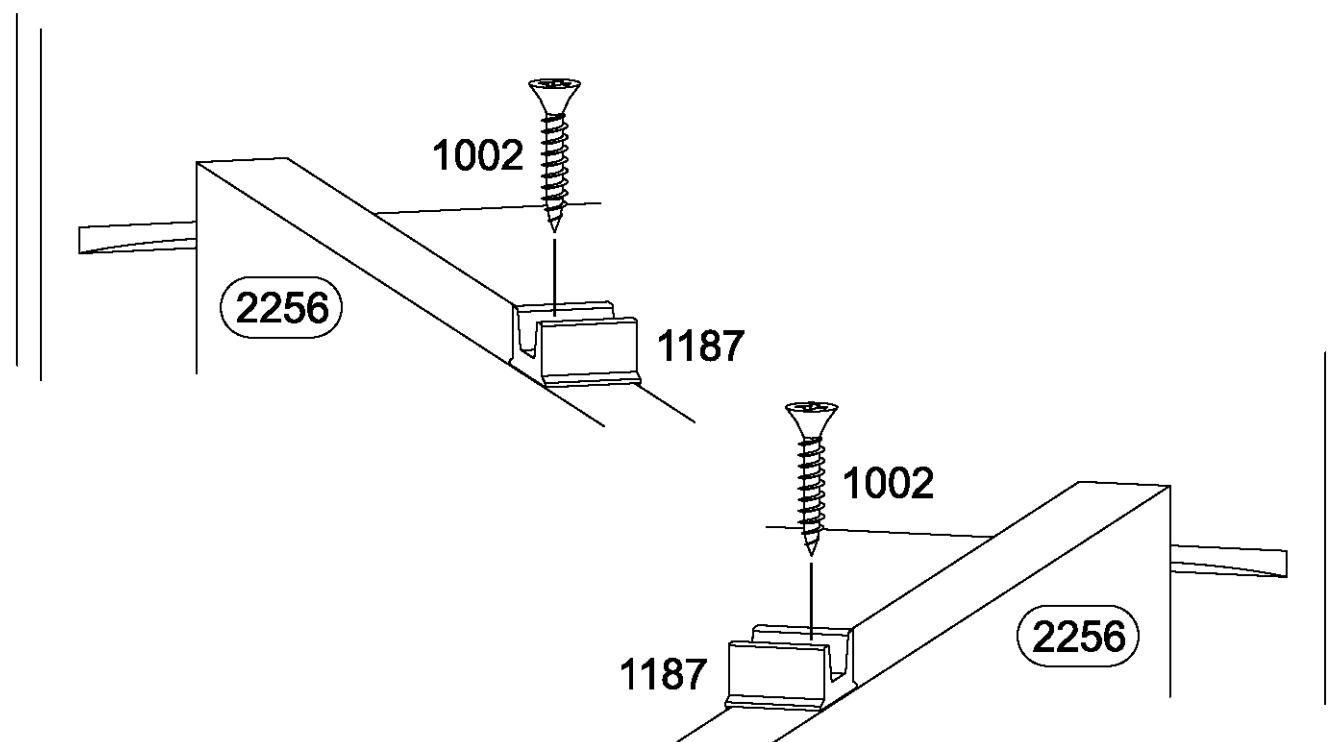
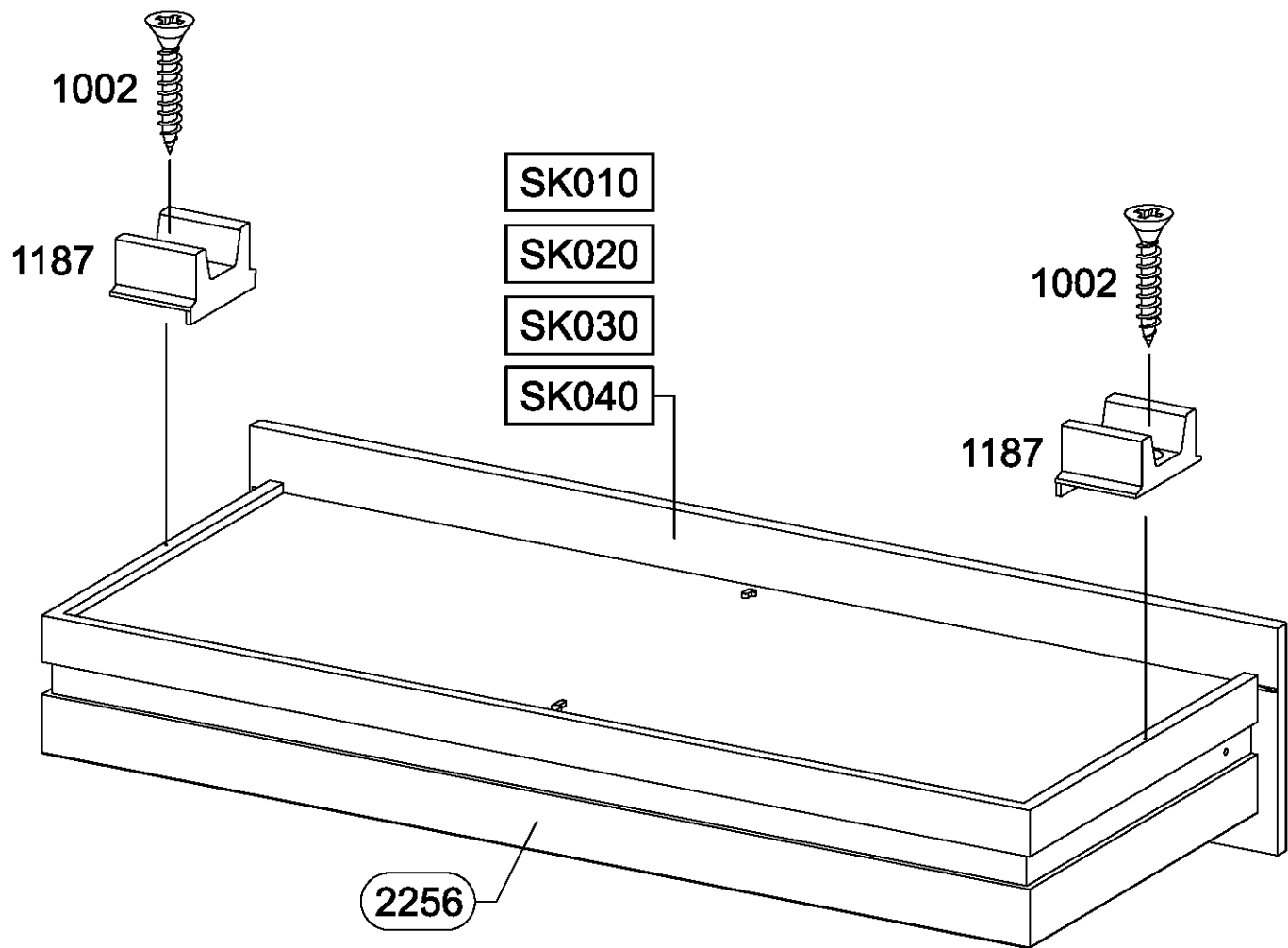
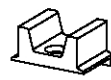
8x

1002

3,5x20

8x

1187

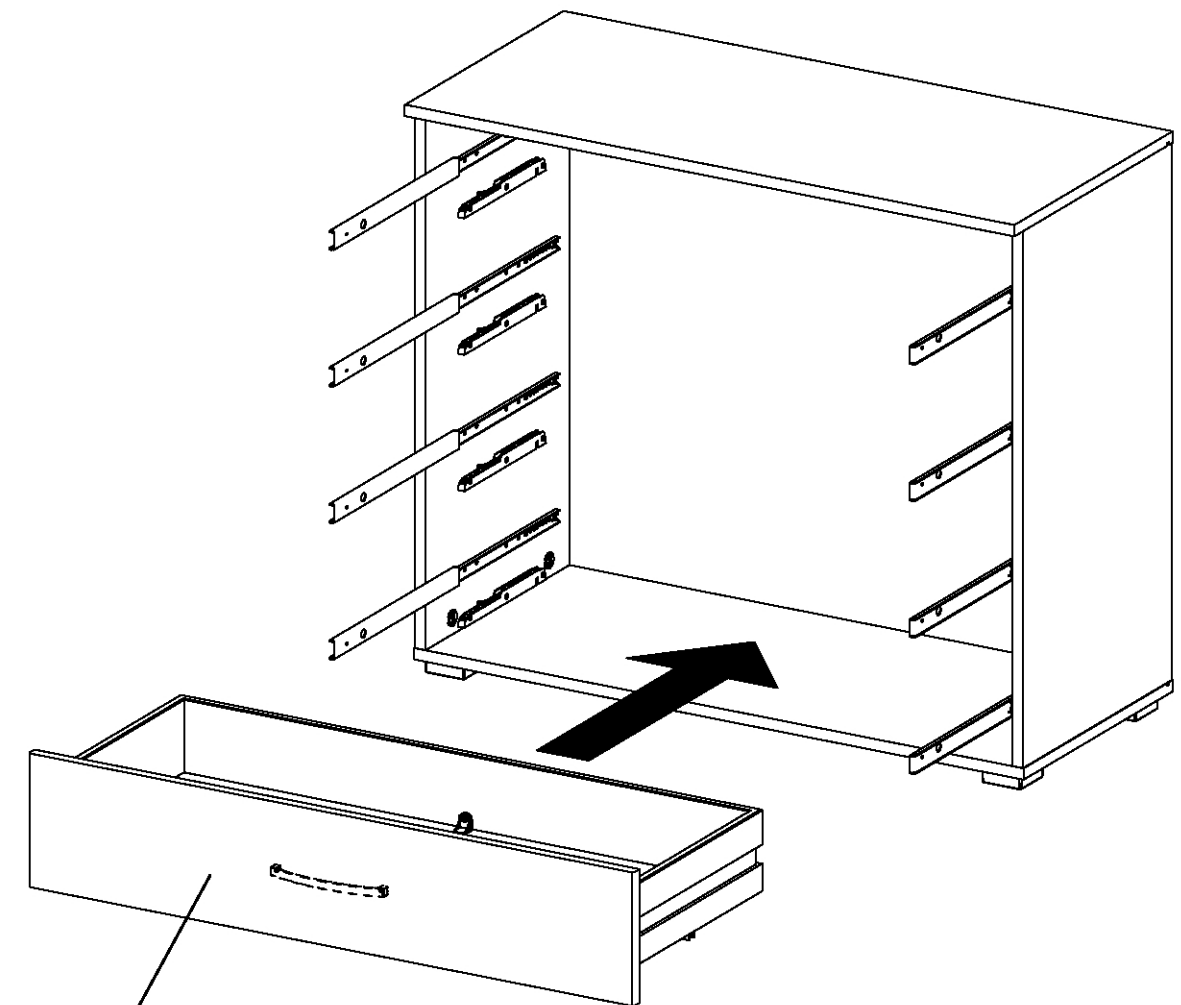
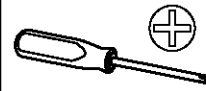


26

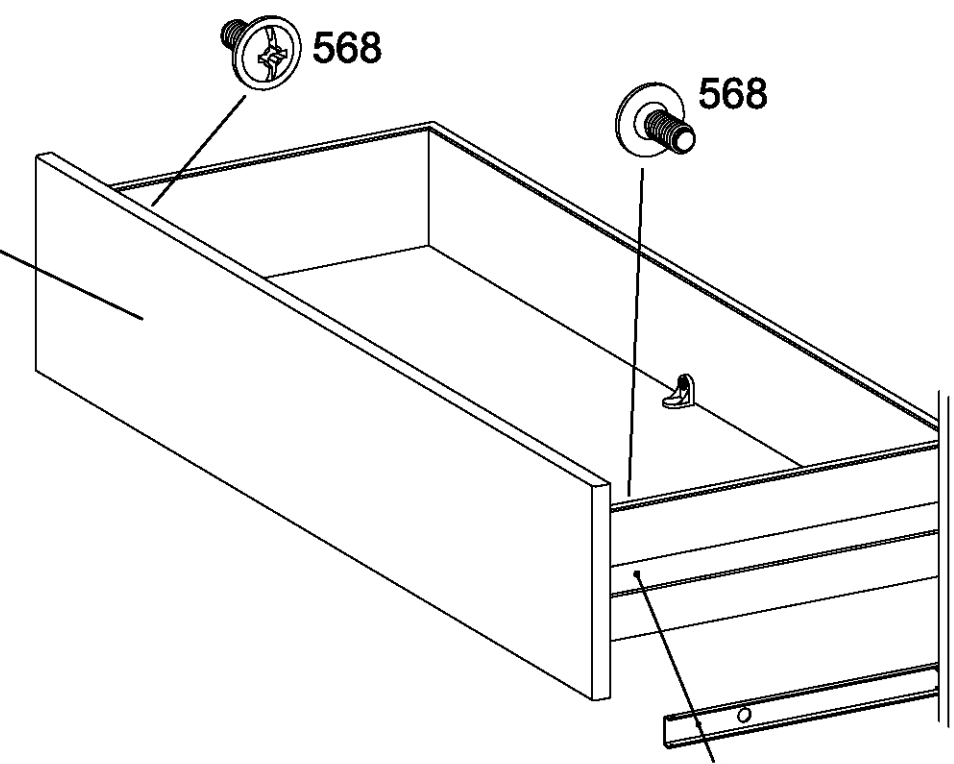
8x

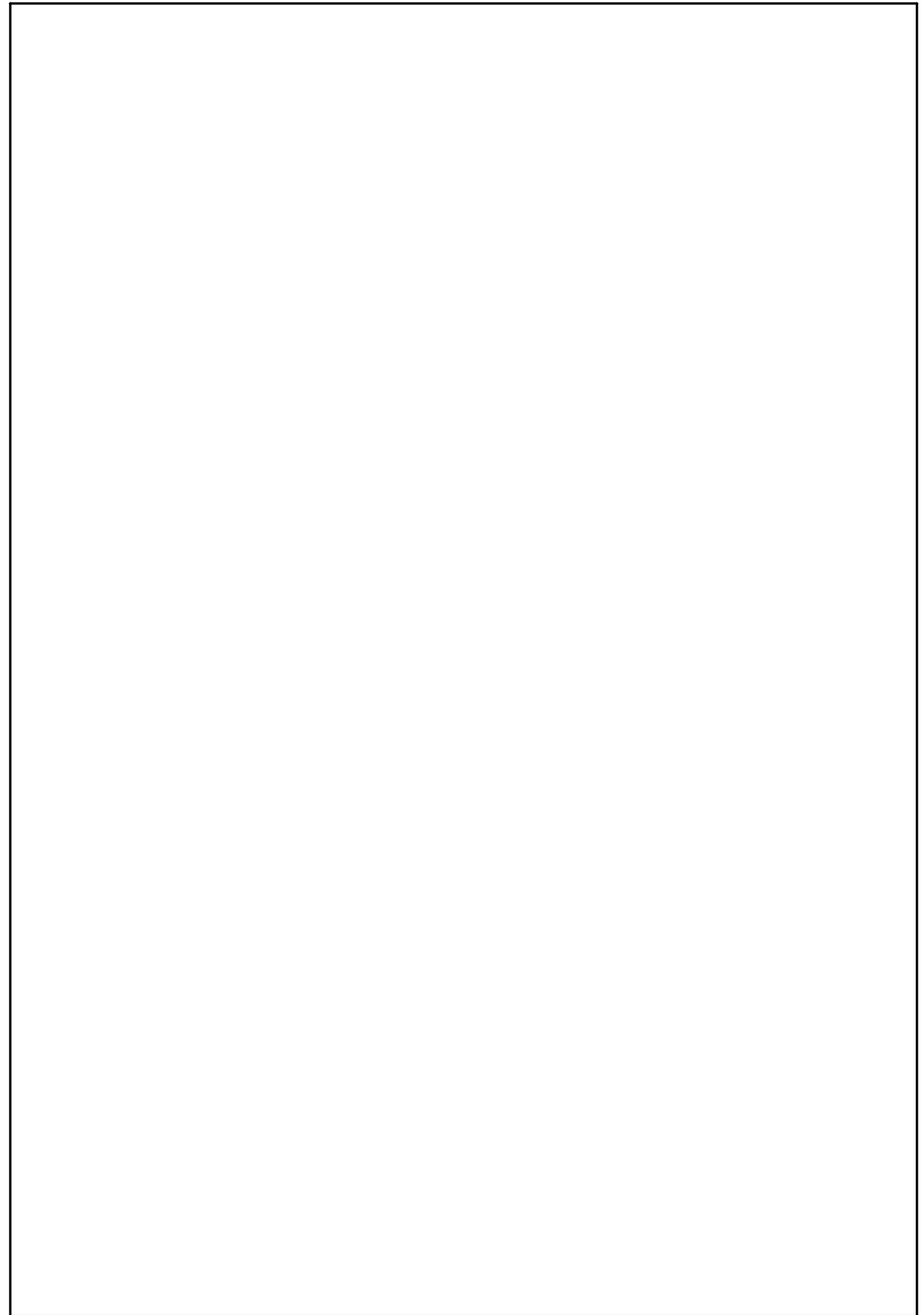
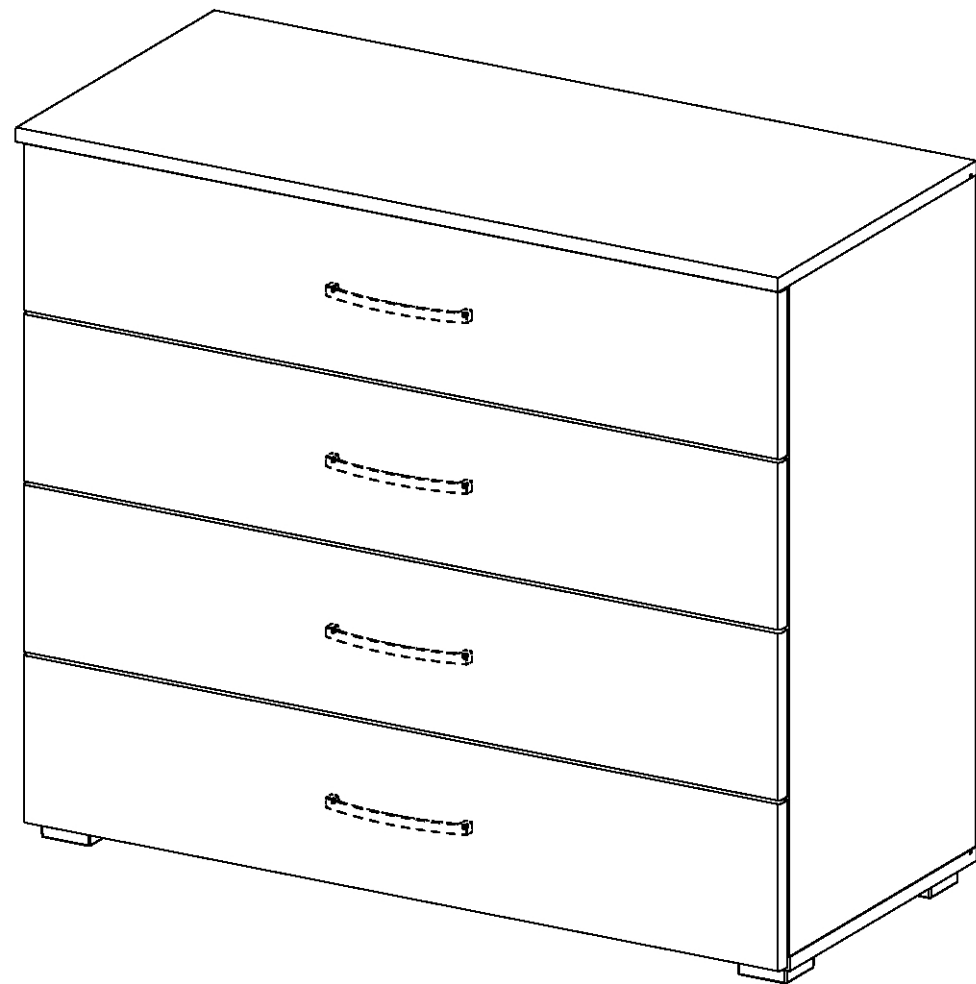
568

M4x9



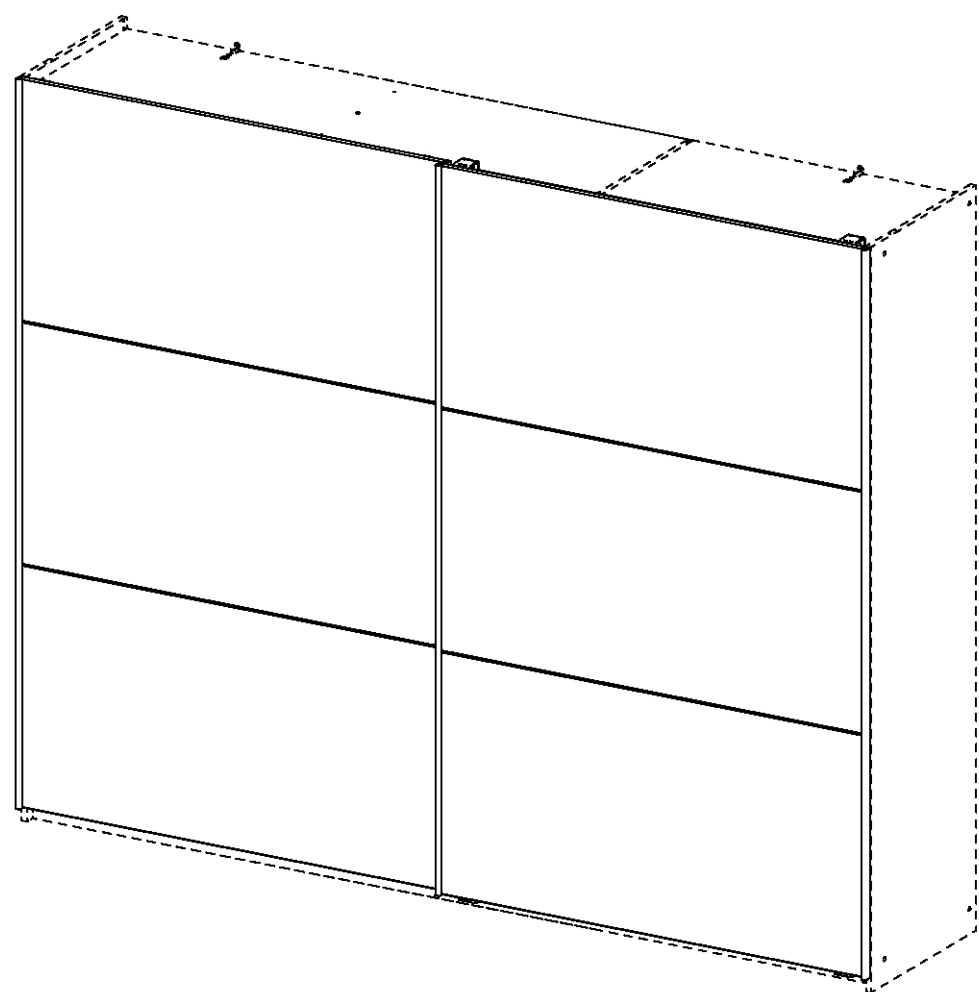
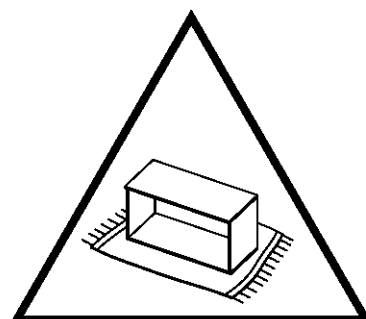
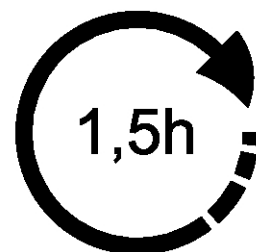
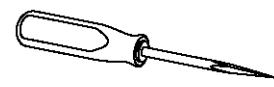
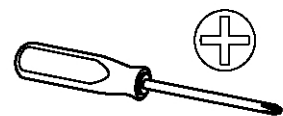
- SK010
- SK020
- SK030
- SK040



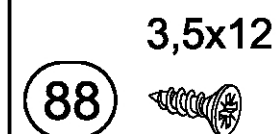


M9950_01

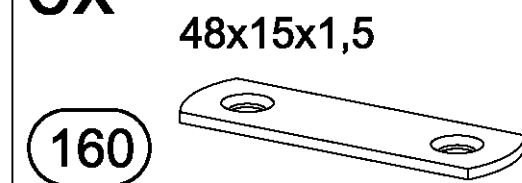
rauch



52x



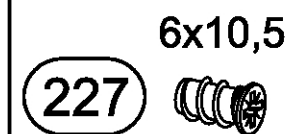
6x



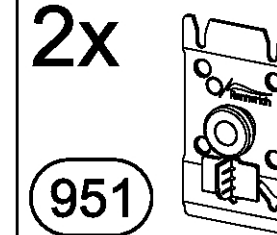
6x



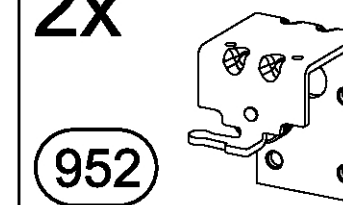
24x



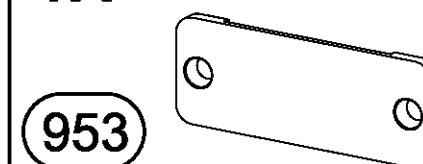
2x



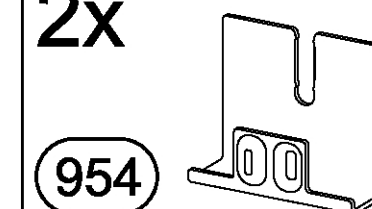
2x



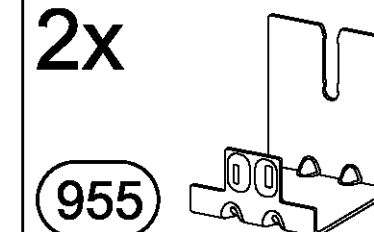
4x



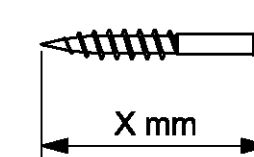
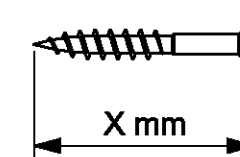
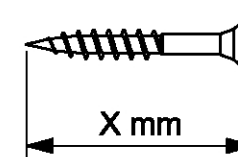
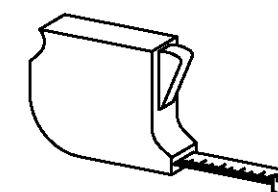
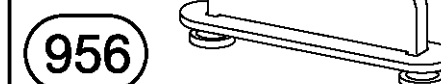
2x



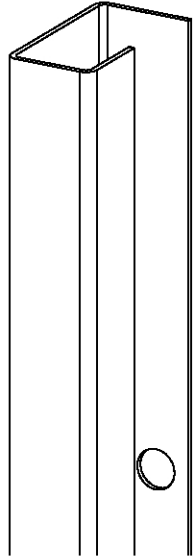
2x



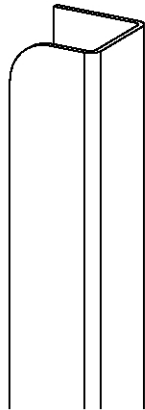
1x



GL010



PR010



GL010

PR010

TU030

TU020

TU010



GL010


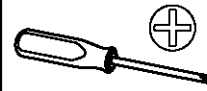
GL010

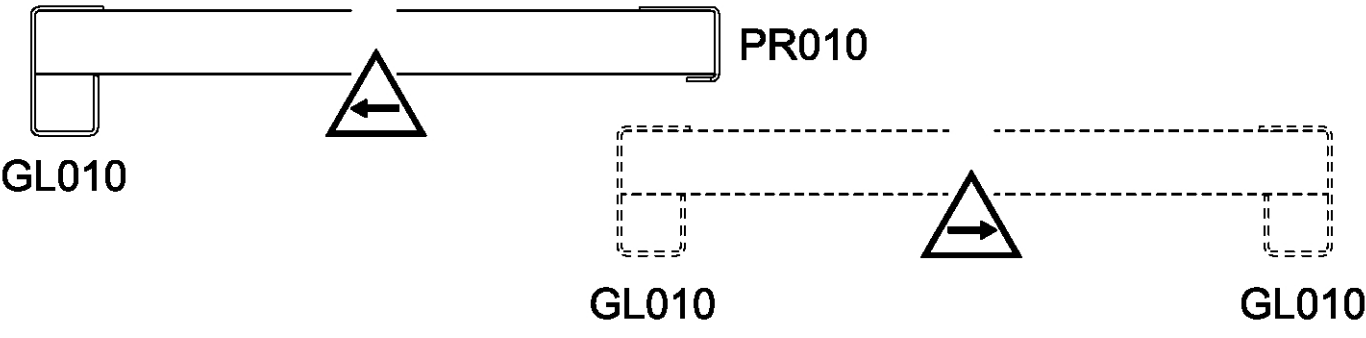
TU060


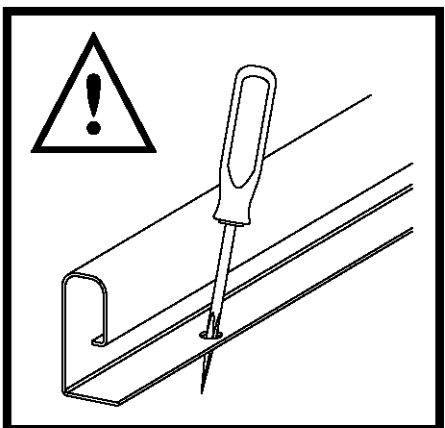
TU050

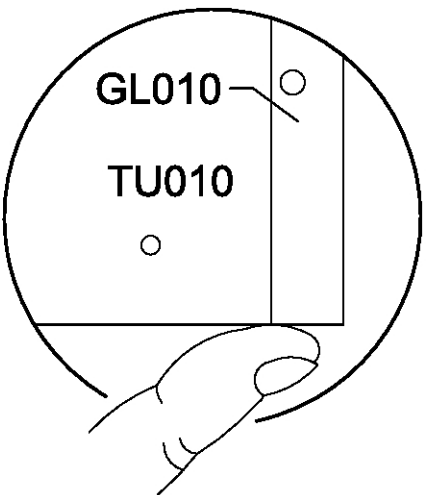
TU040

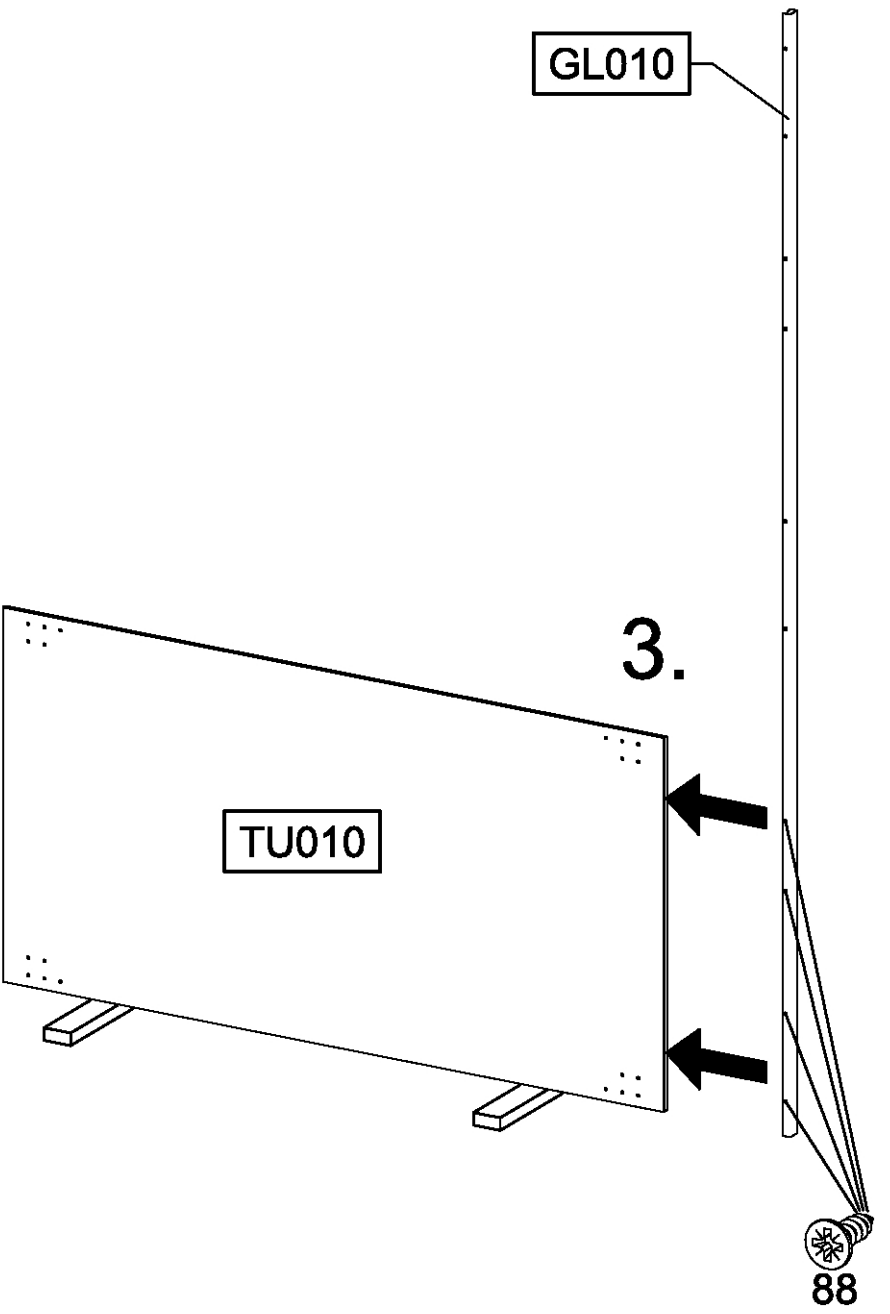




1 **4x** 88 3,5x12  

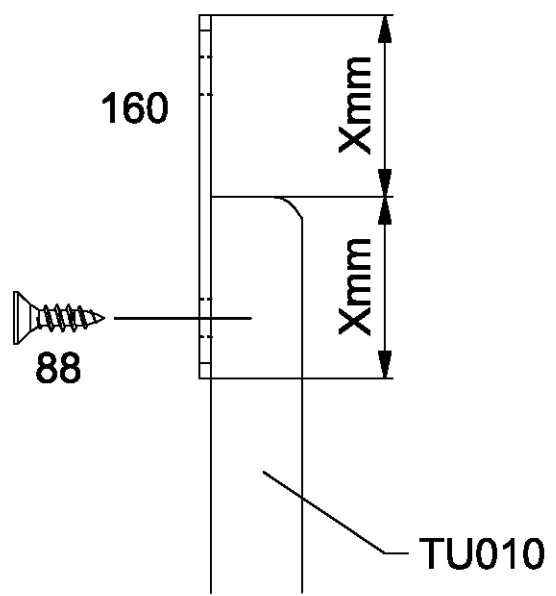


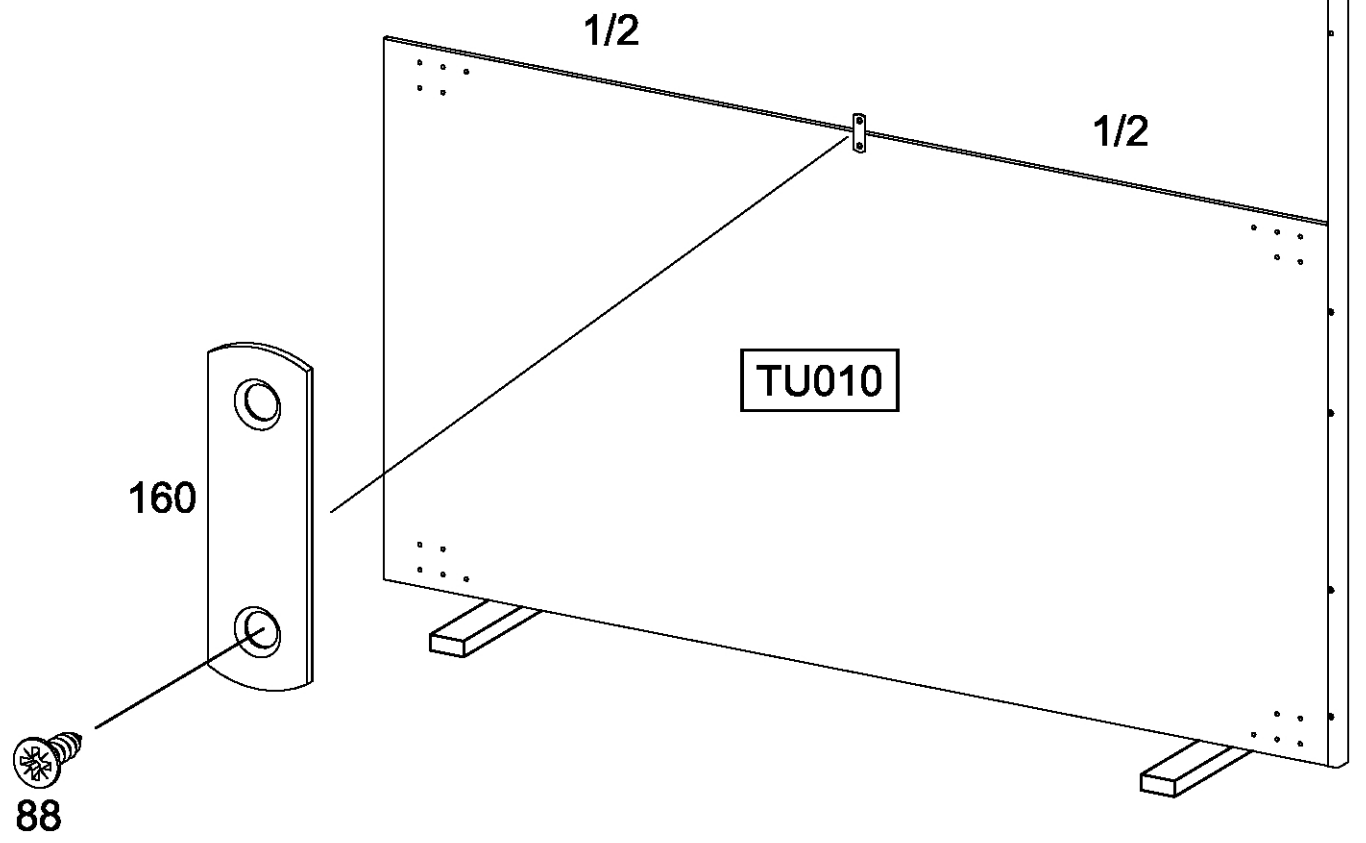
1.  

2. 

3. 

2 **1x** 88 3,5x12 **1x** 160 48x15x1,5  

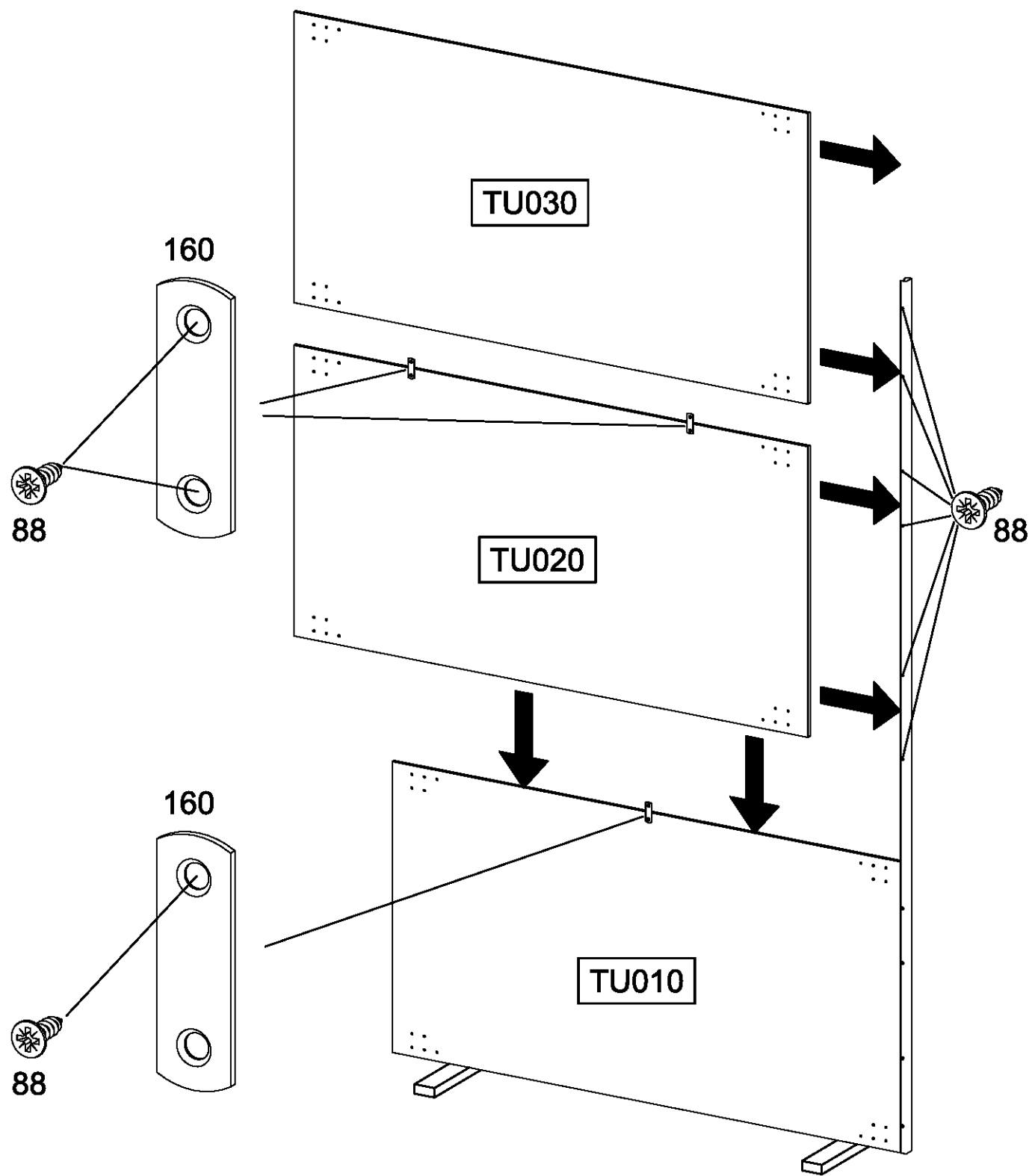
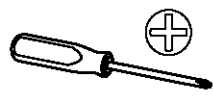




3

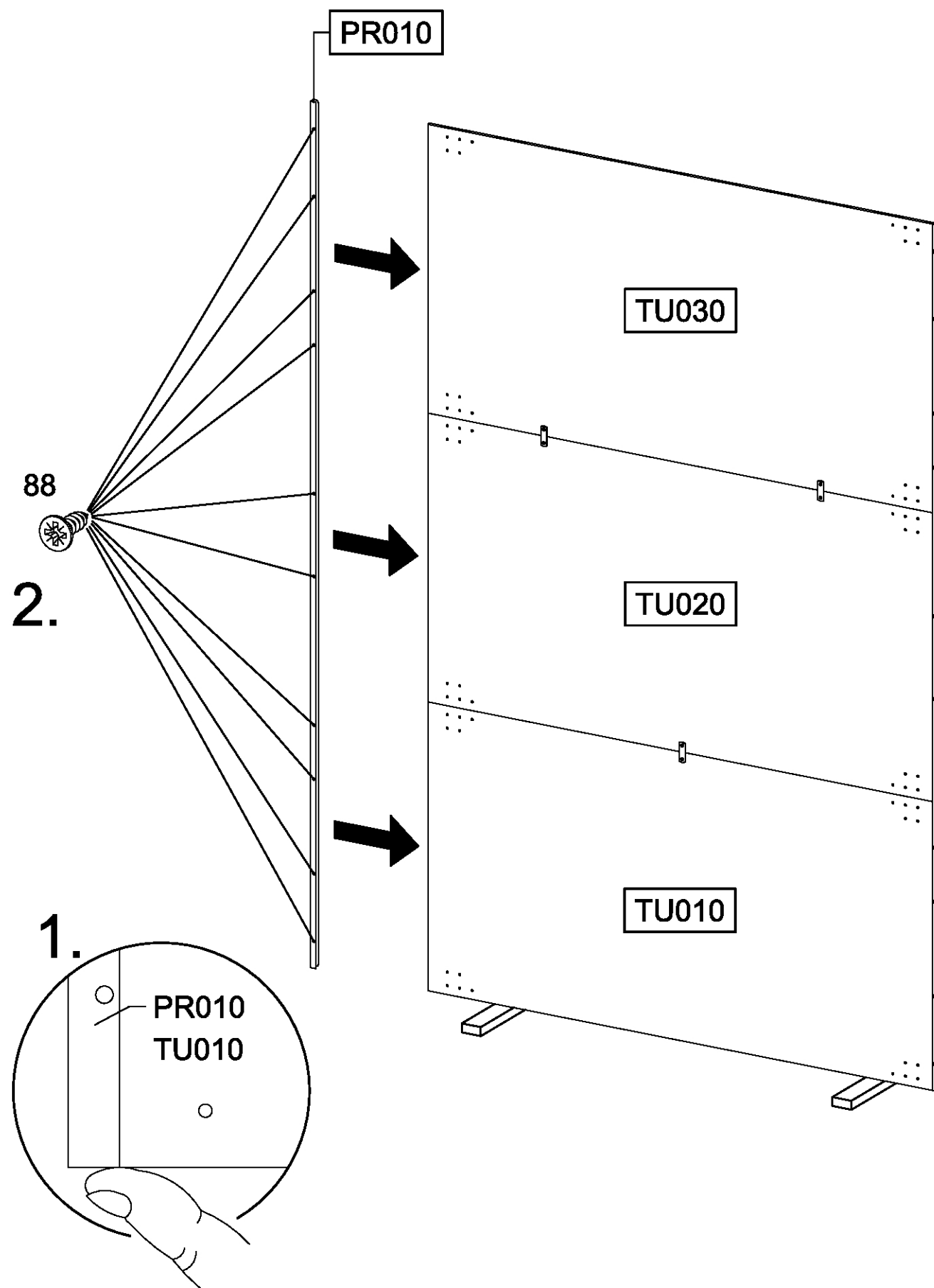
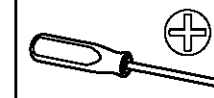
11x 88 3,5x12

2x 160 48x15x1,5



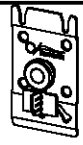
4

10x 88 3,5x12

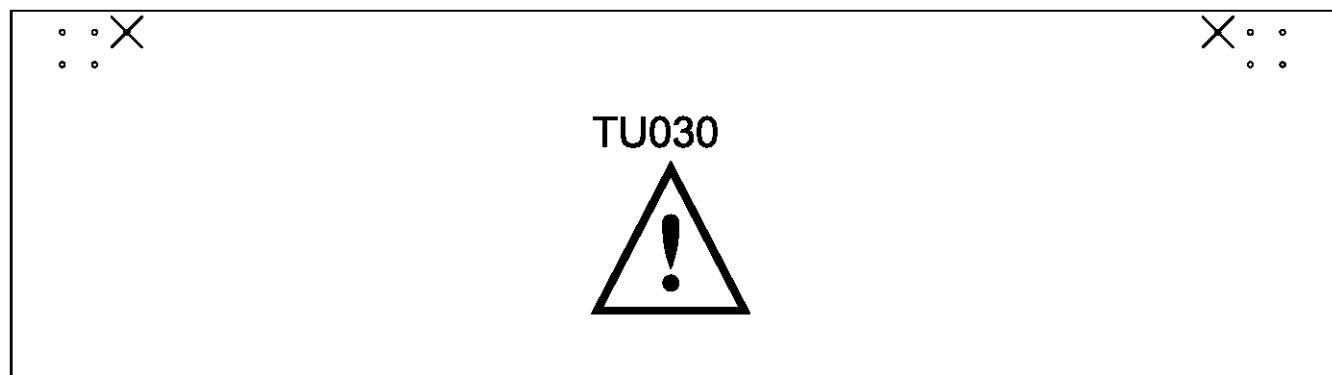
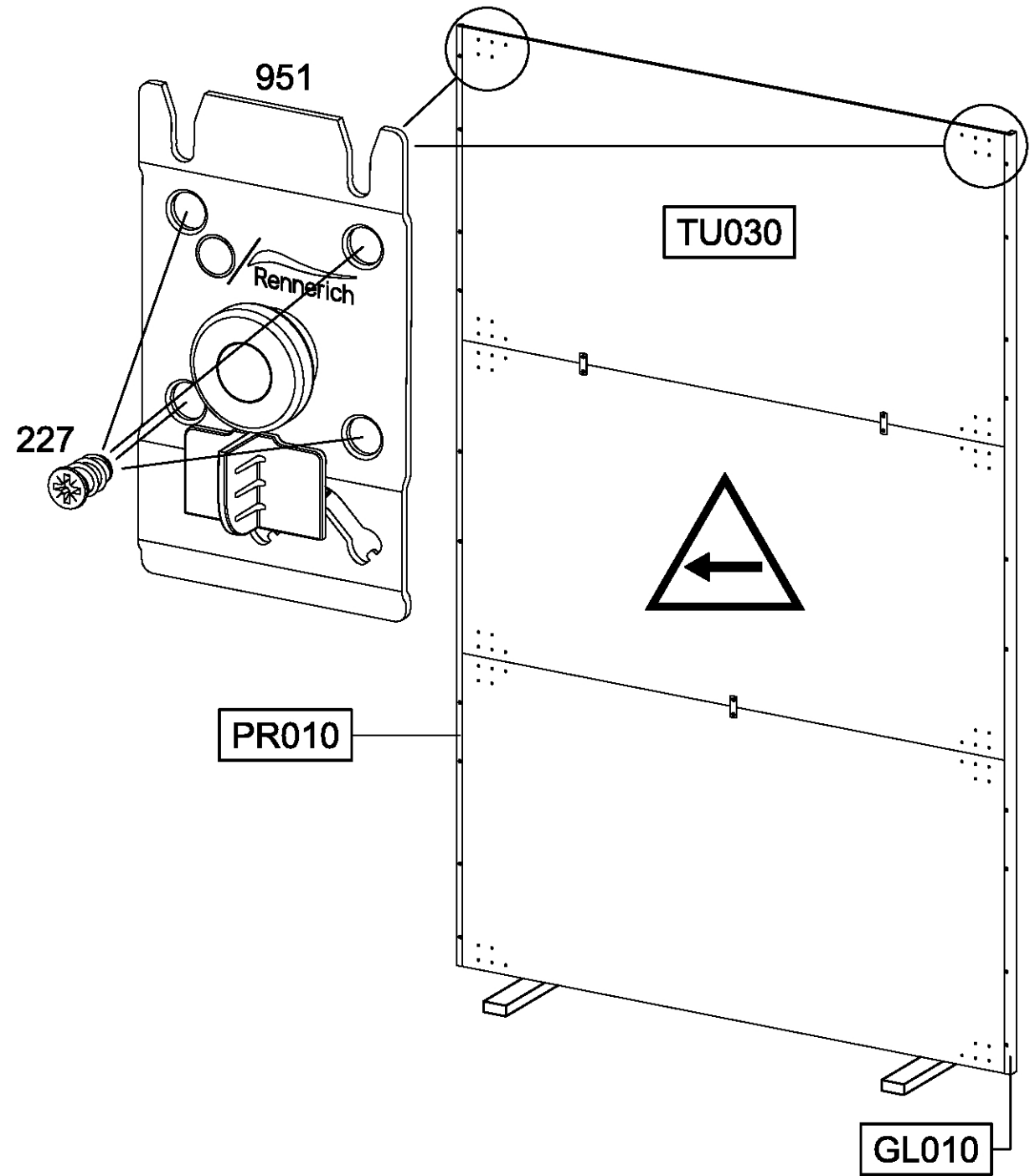
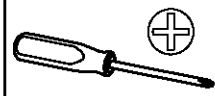
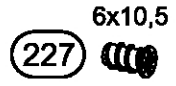


5

2x 951

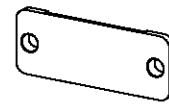


8x 227 6x10,5

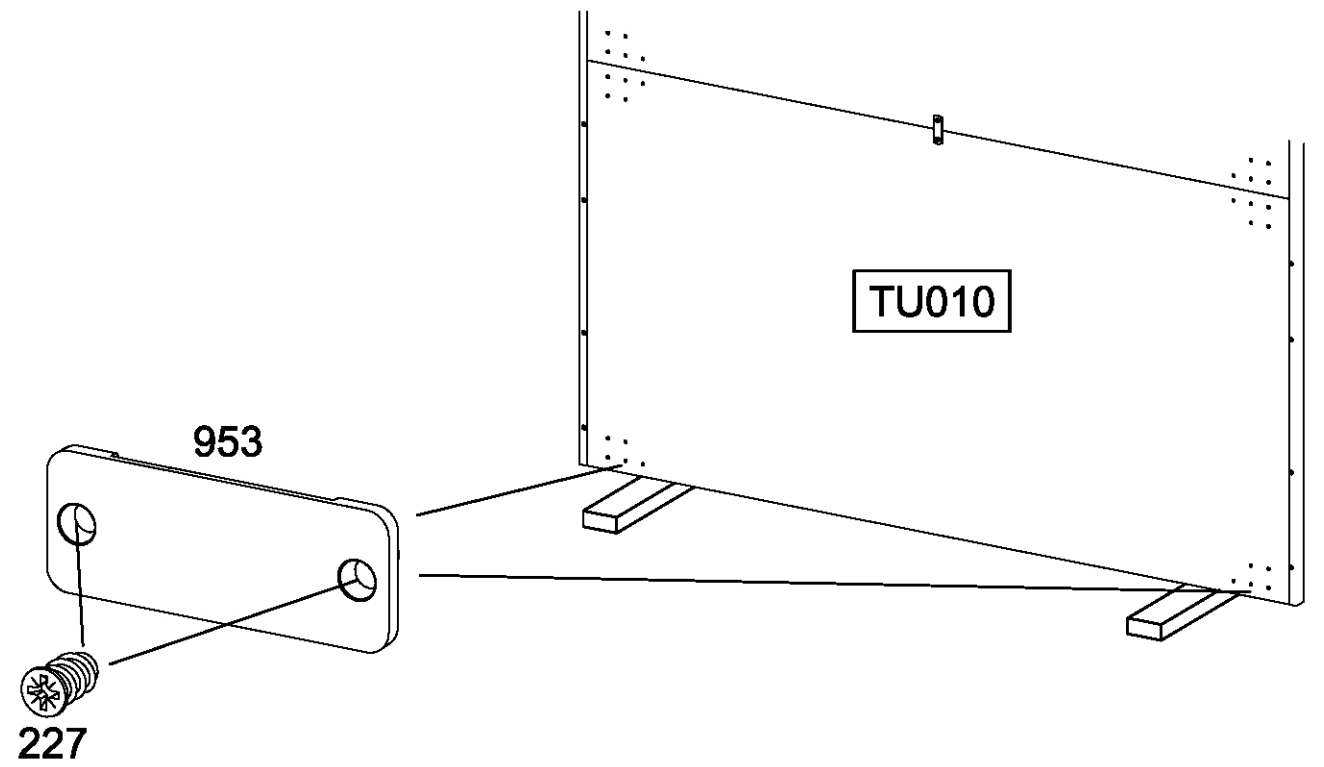
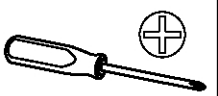
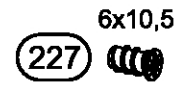


6

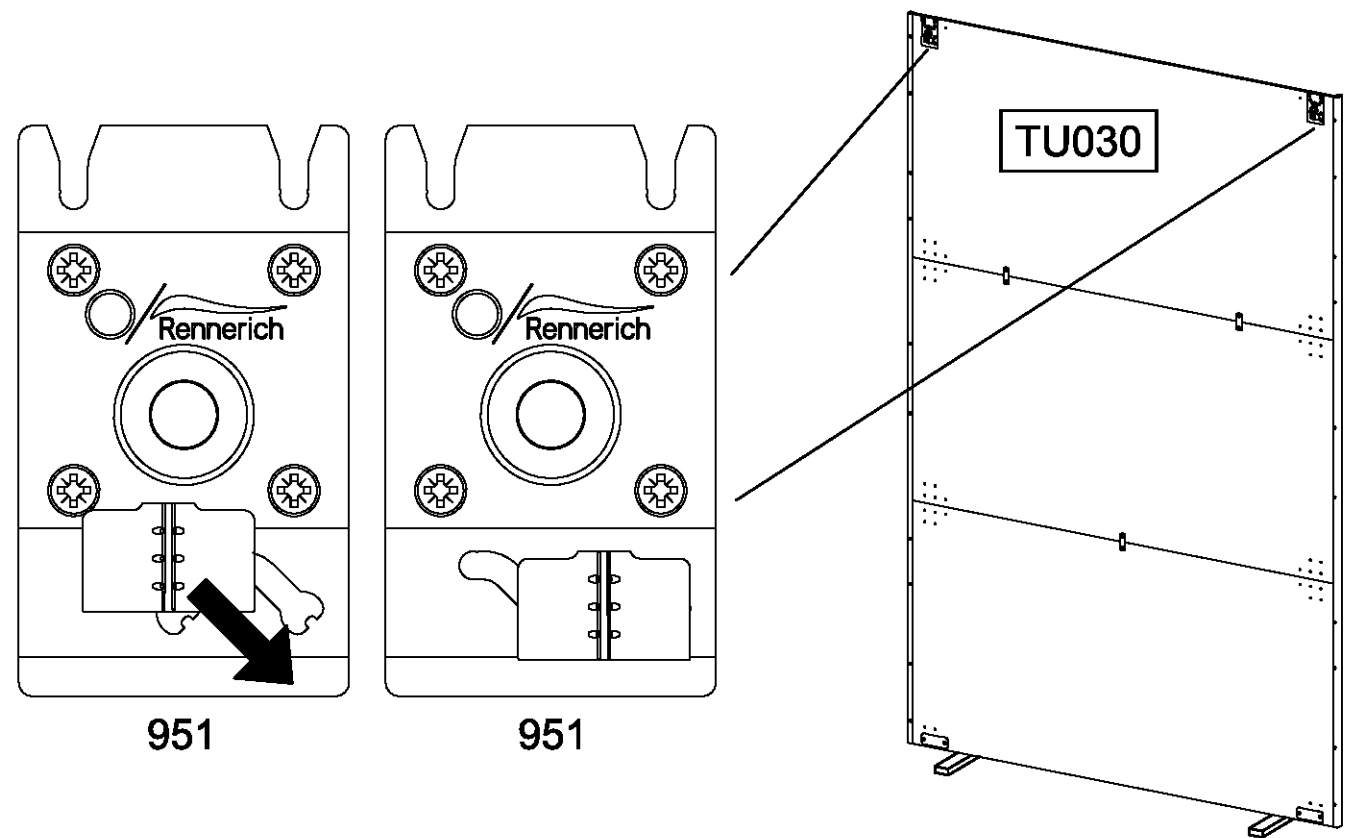
2x 953



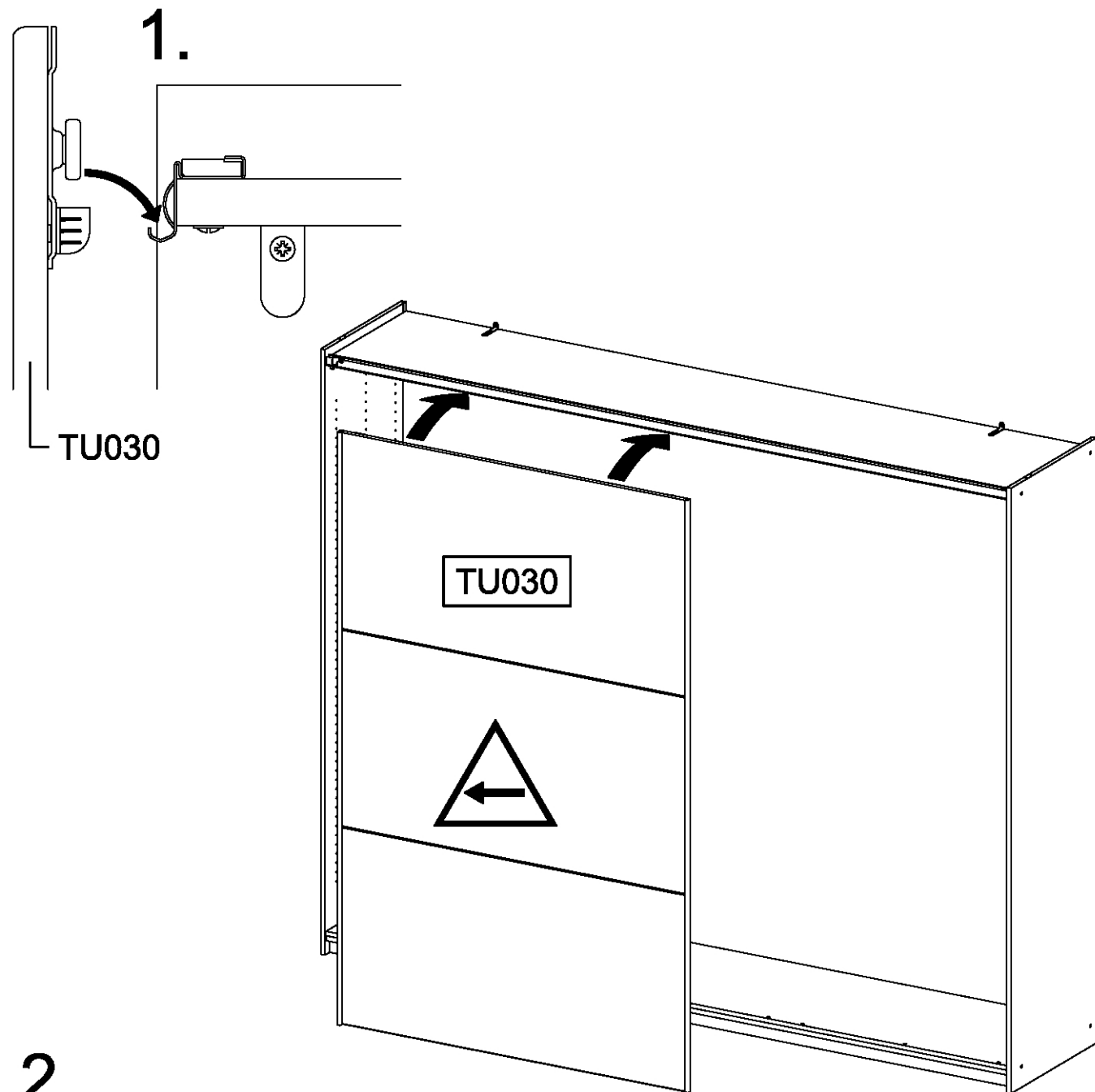
4x 227 6x10,5



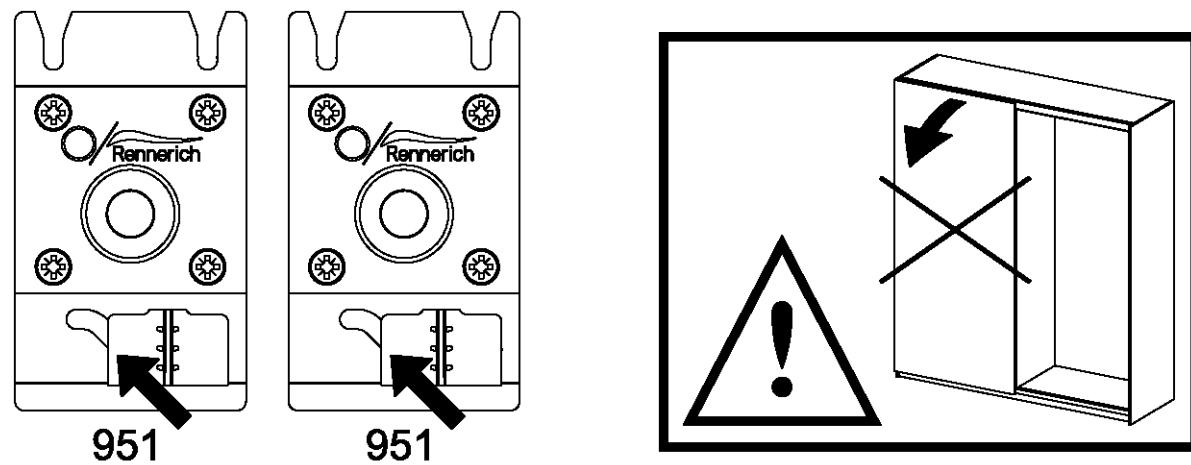
7



8

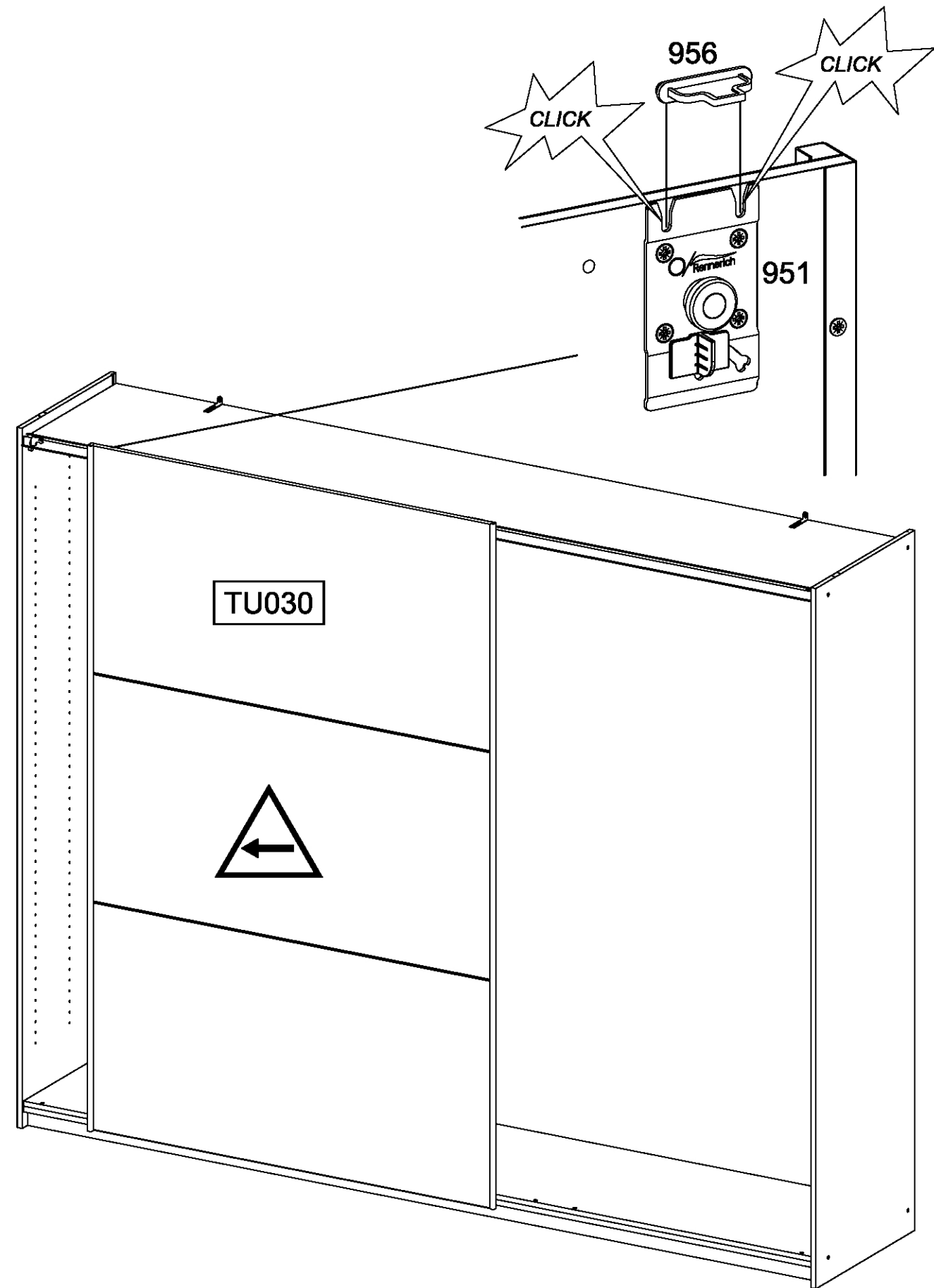
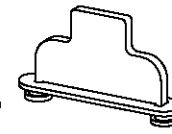


2.



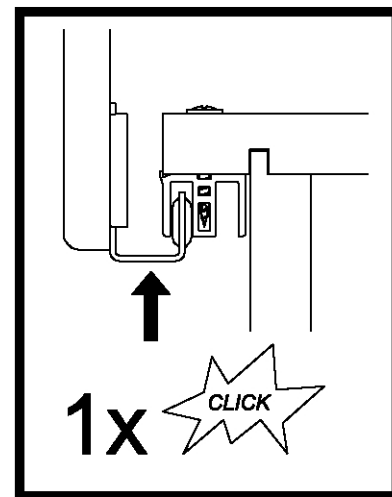
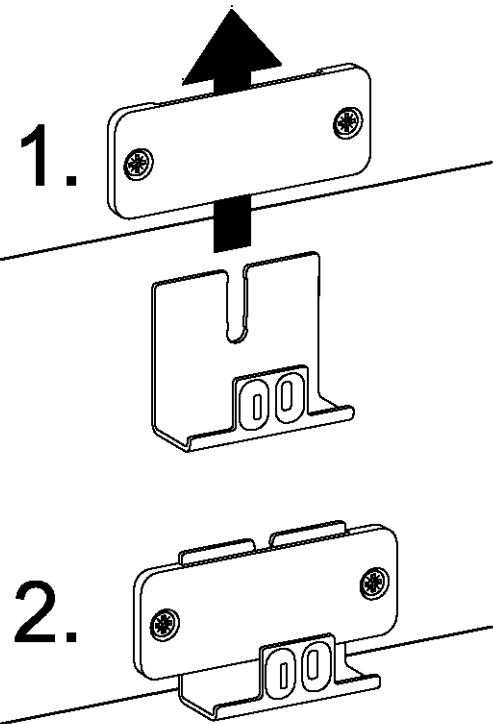
9

1x 956



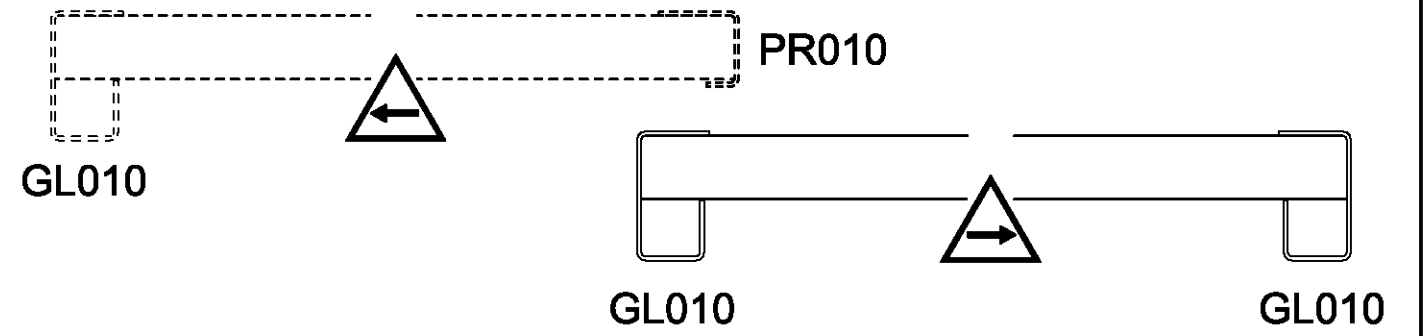
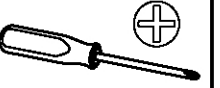
10

2x 954

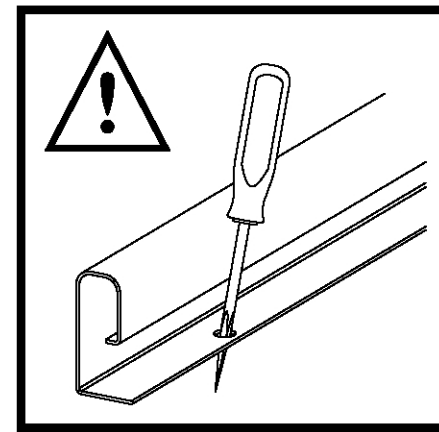


11

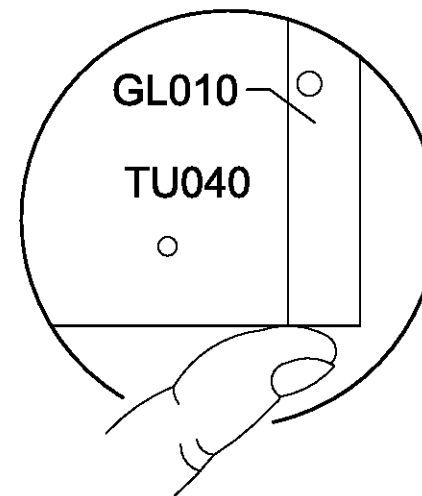
4x 88 3,5x12



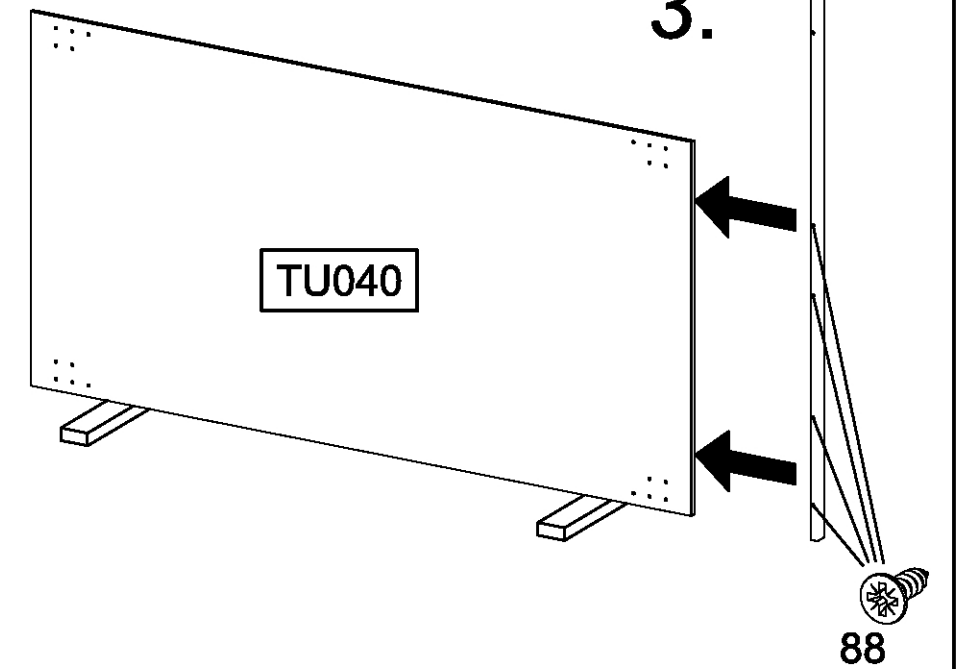
1.



2.



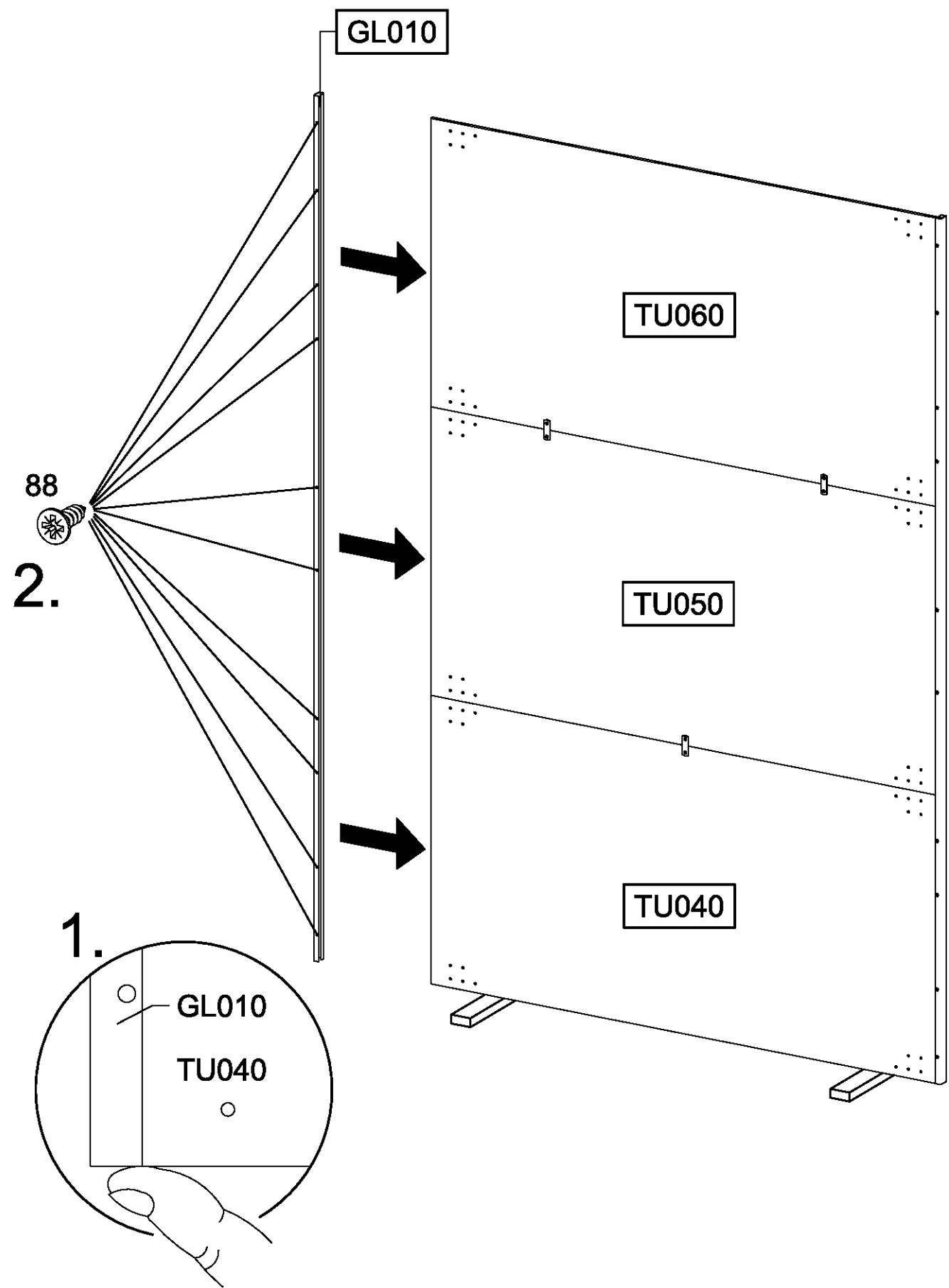
3.





14

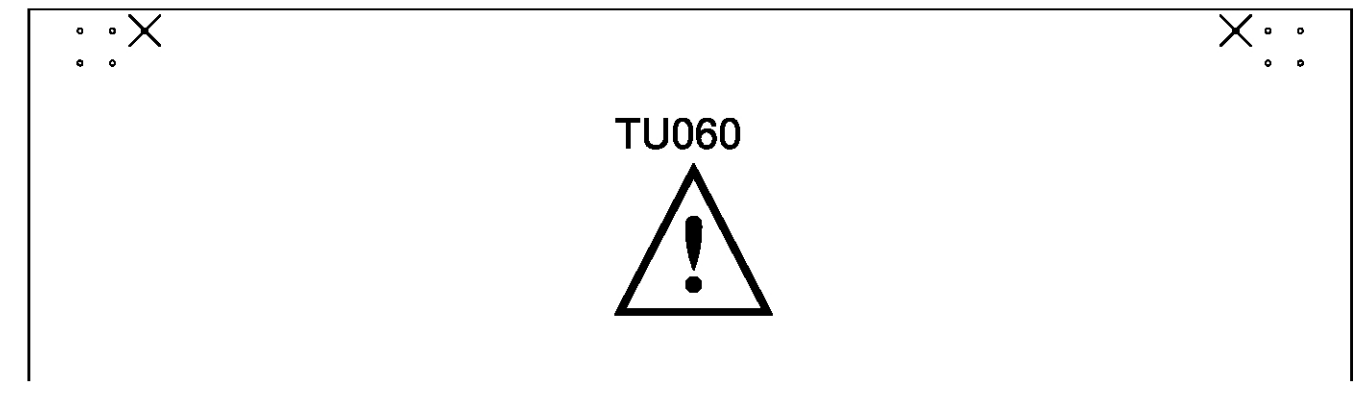
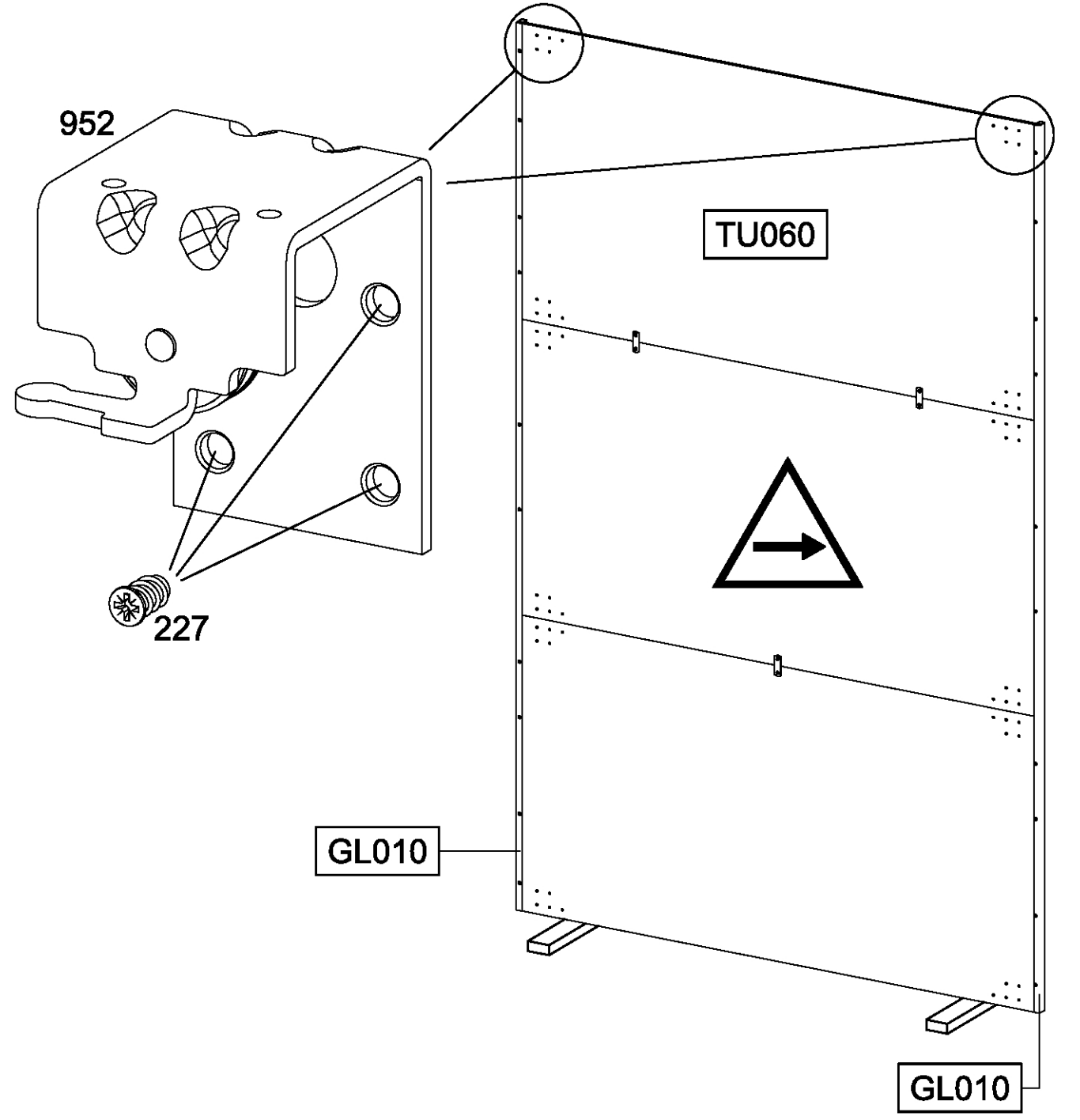
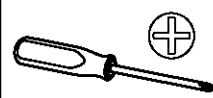
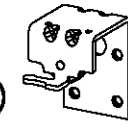
10x 88 3,5x12



15

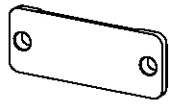
8x 227 6x10,5

2x 952

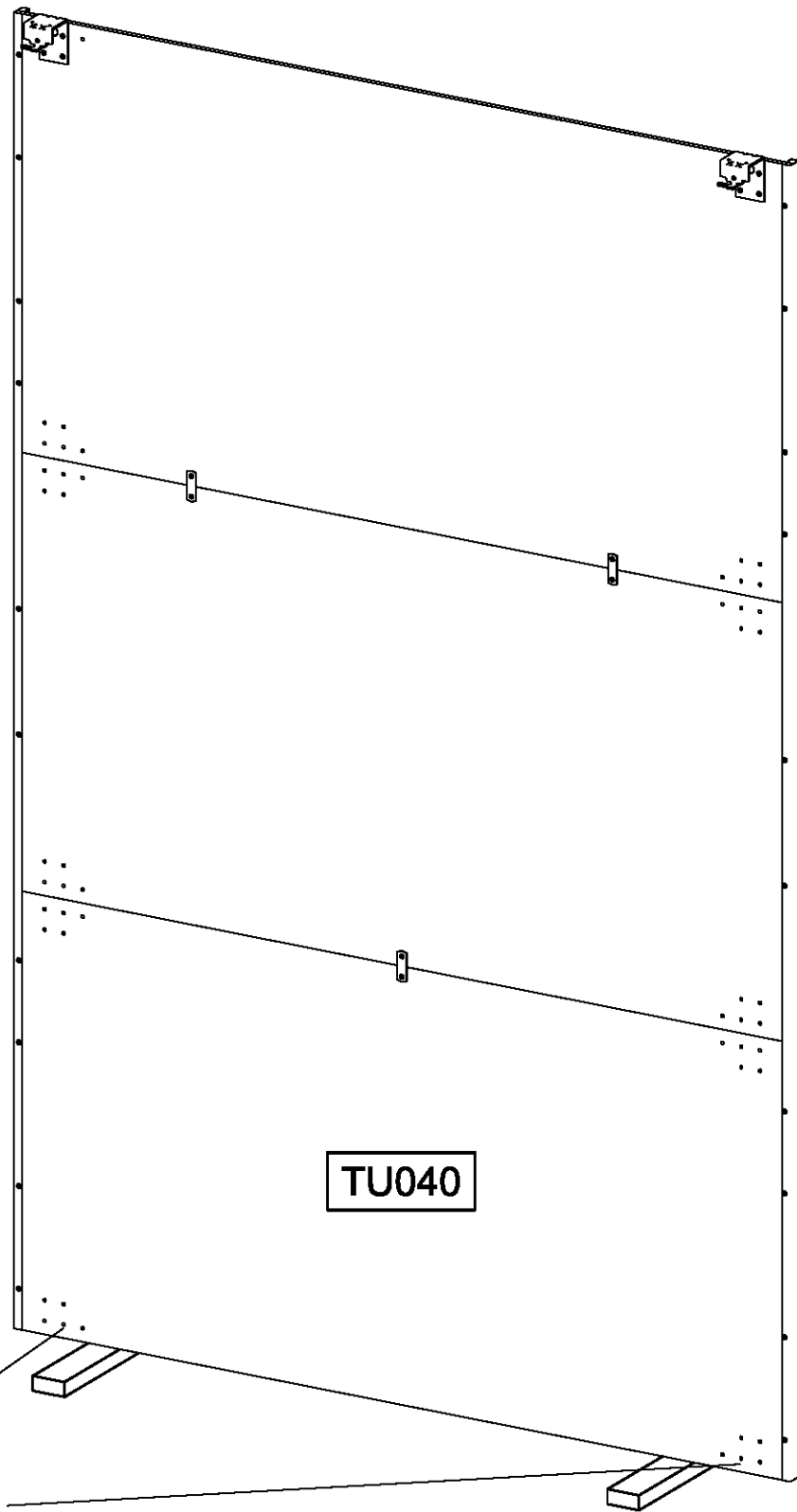
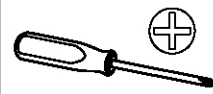
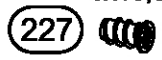


16

2x 953



4x 227 6x10,5

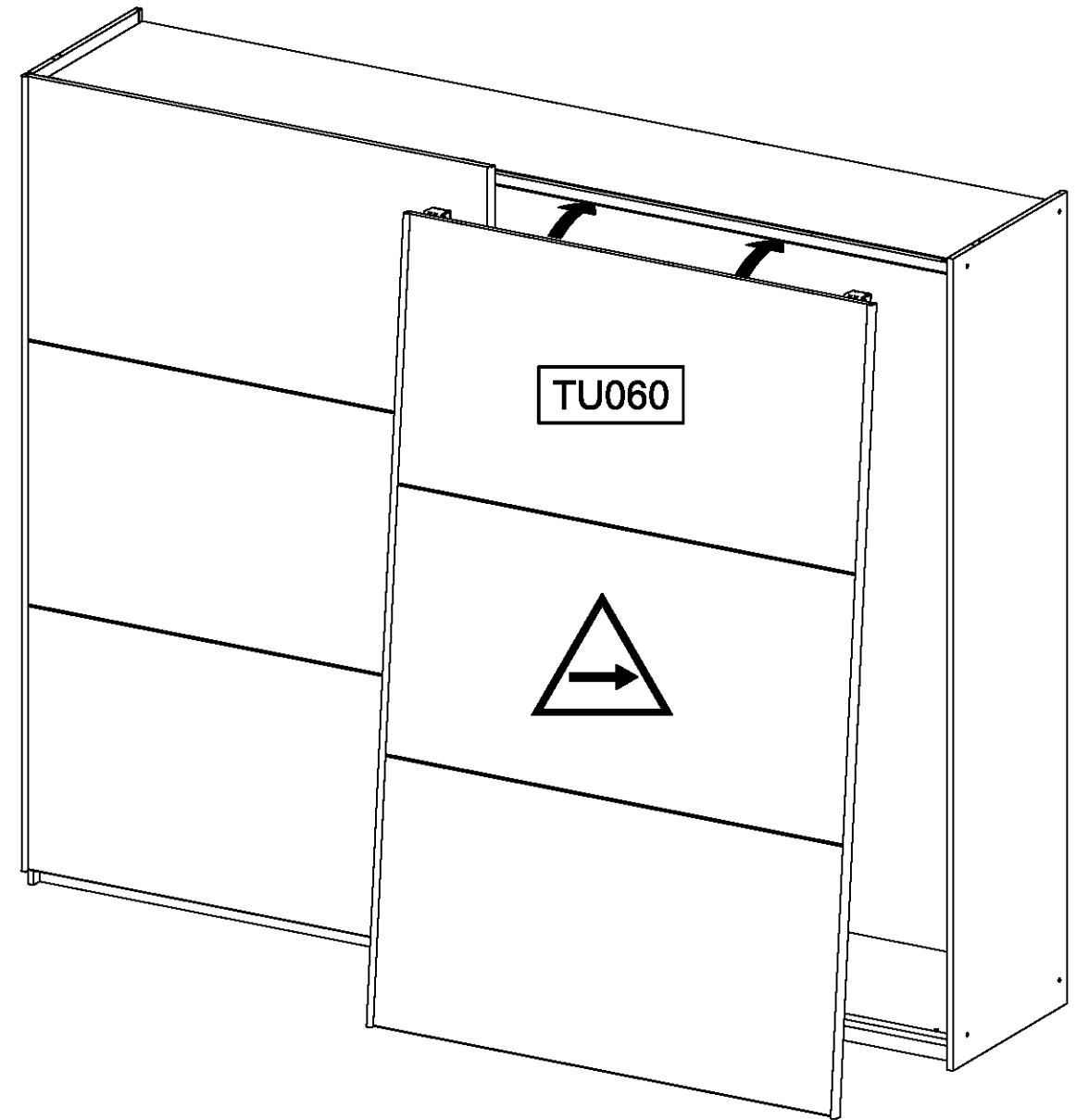


TU040

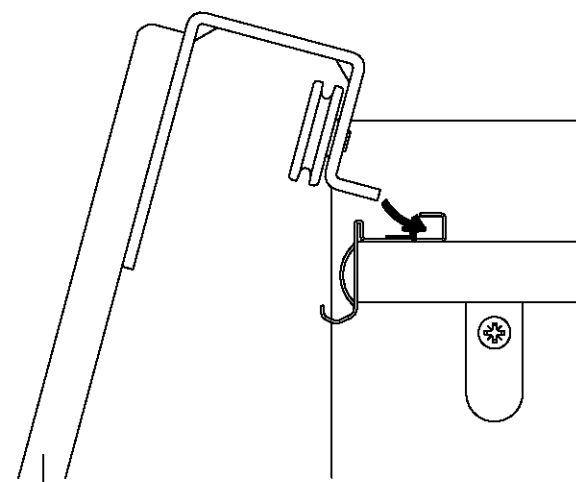
953

227

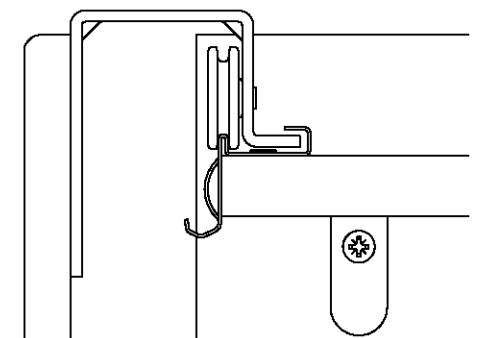
17



TU060



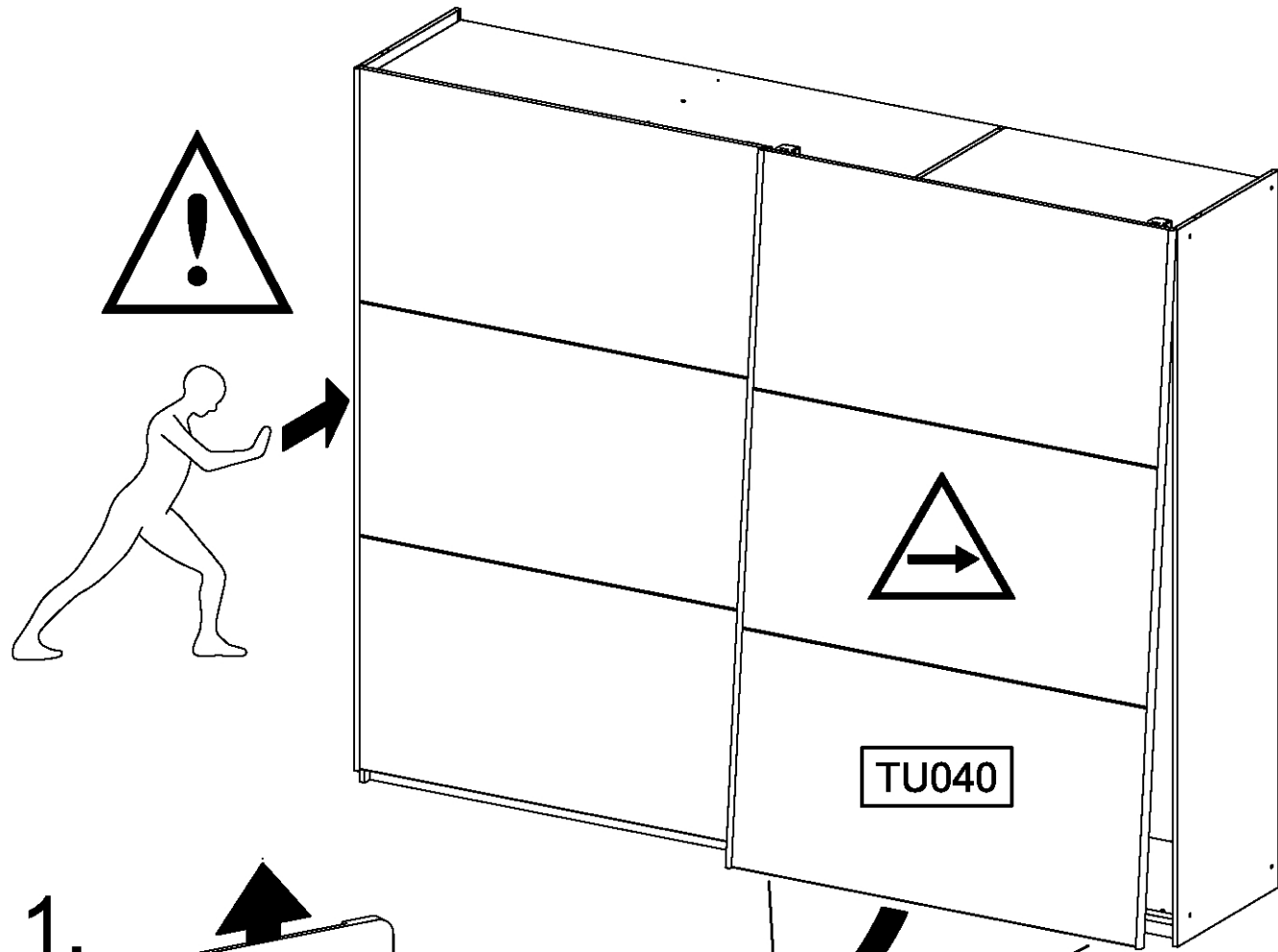
TU060



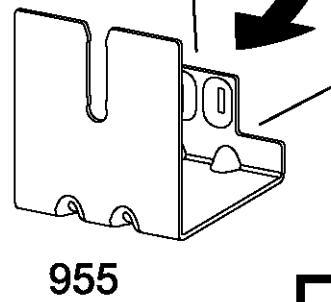
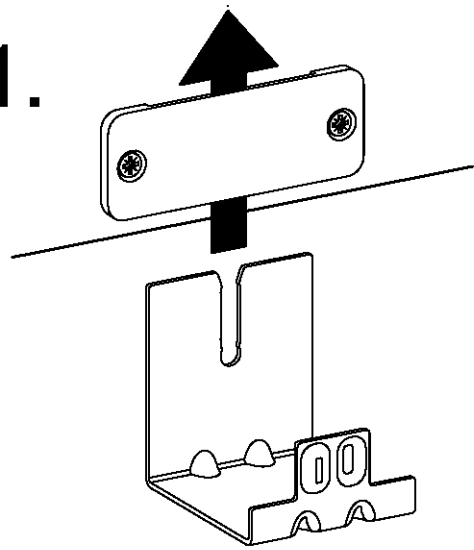
TU060

18

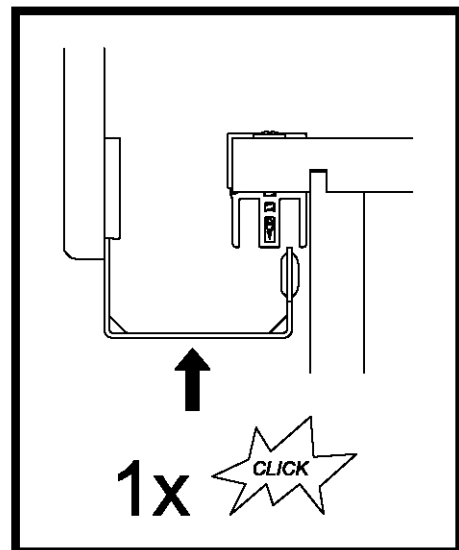
2x 955



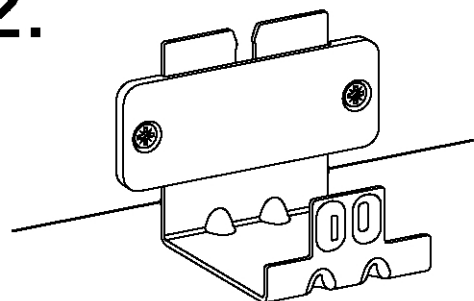
1.



955

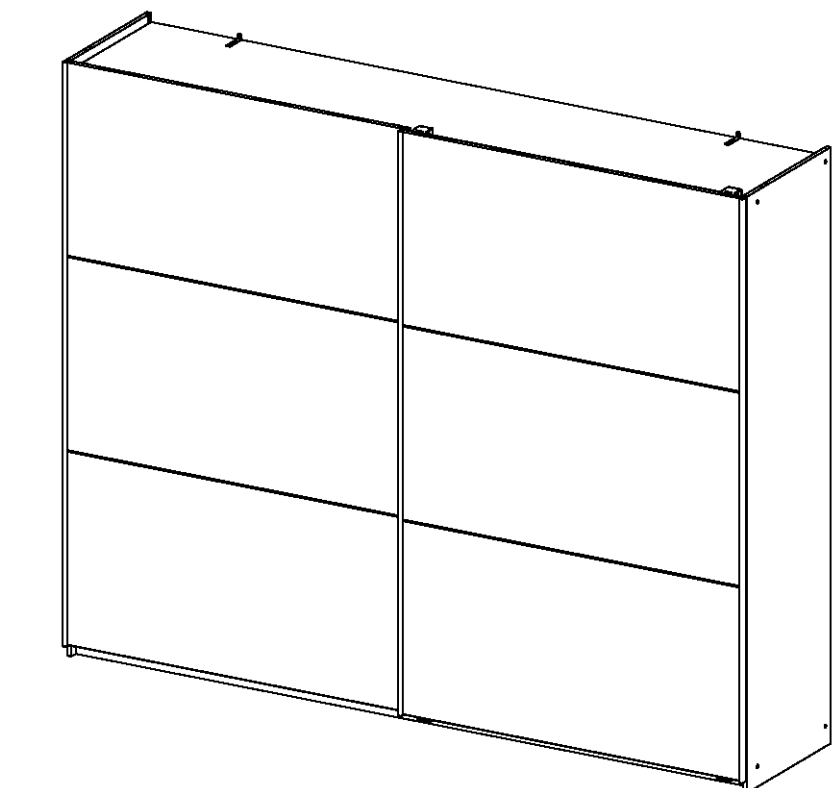
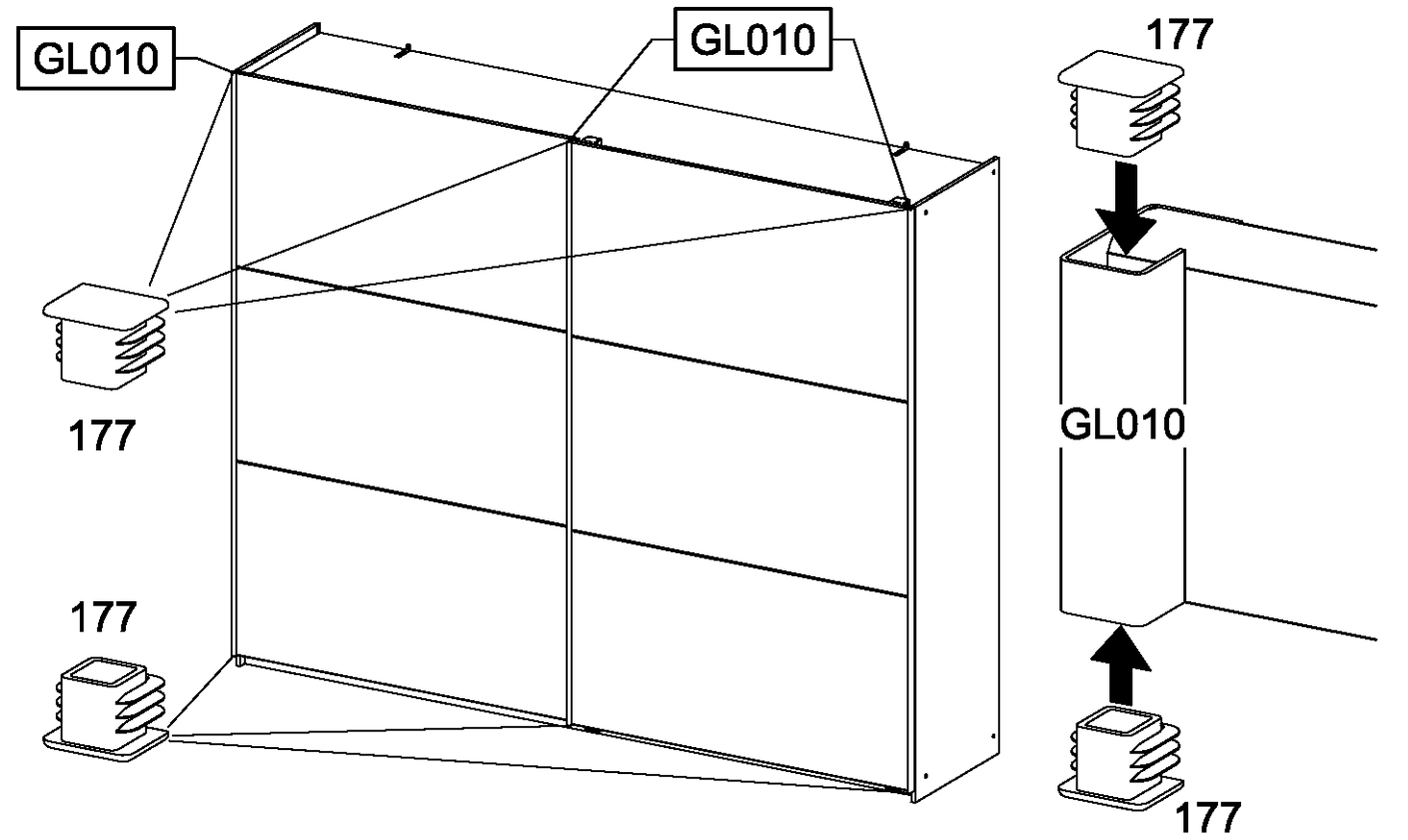


2.



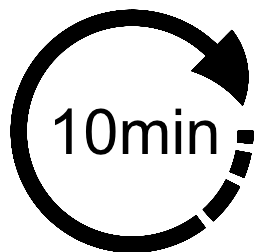
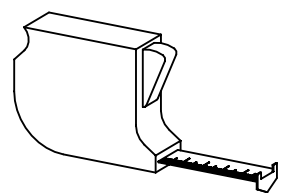
19

6x 177

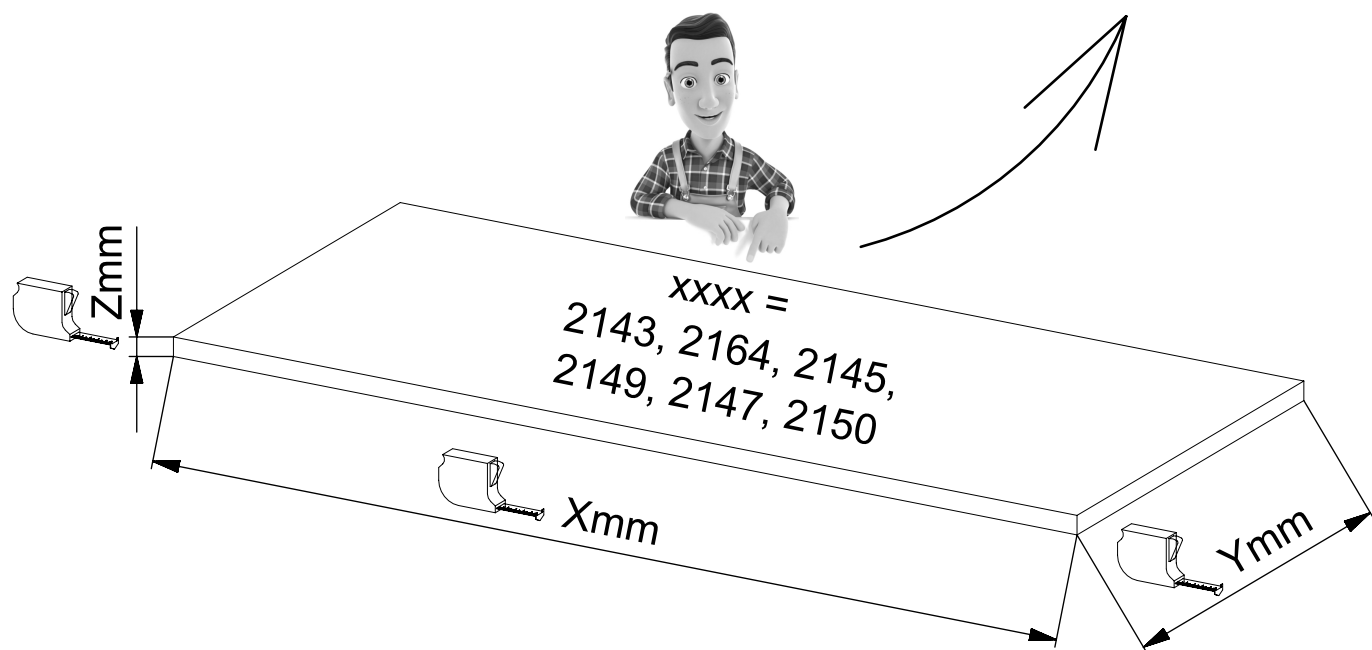


MZ112_03

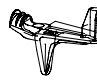
rauch

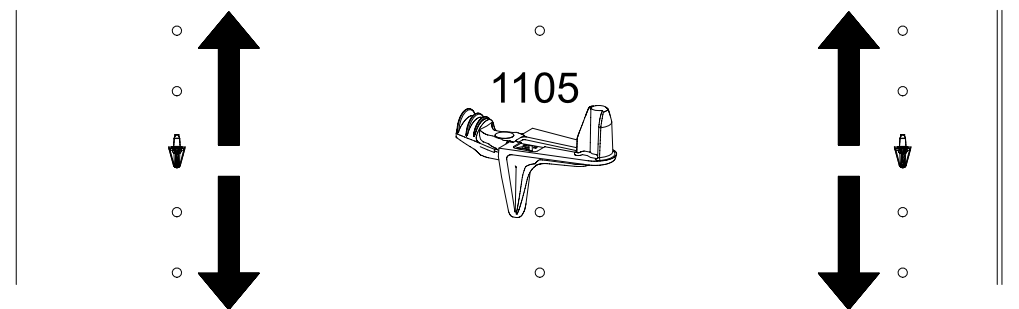


Xmm	Ymm	Zmm	 max. 10kg	XXXX
432mm	450mm	16mm	max. 10kg	2143
632mm	450mm	16mm	max. 10kg	2164
656mm	450mm	16mm	max. 10kg	2145
848mm	450mm	16mm	max. 10kg	2149
880mm	450mm	16mm	max. 10kg	2147
1064mm	450mm	22mm	max. 25kg	2150

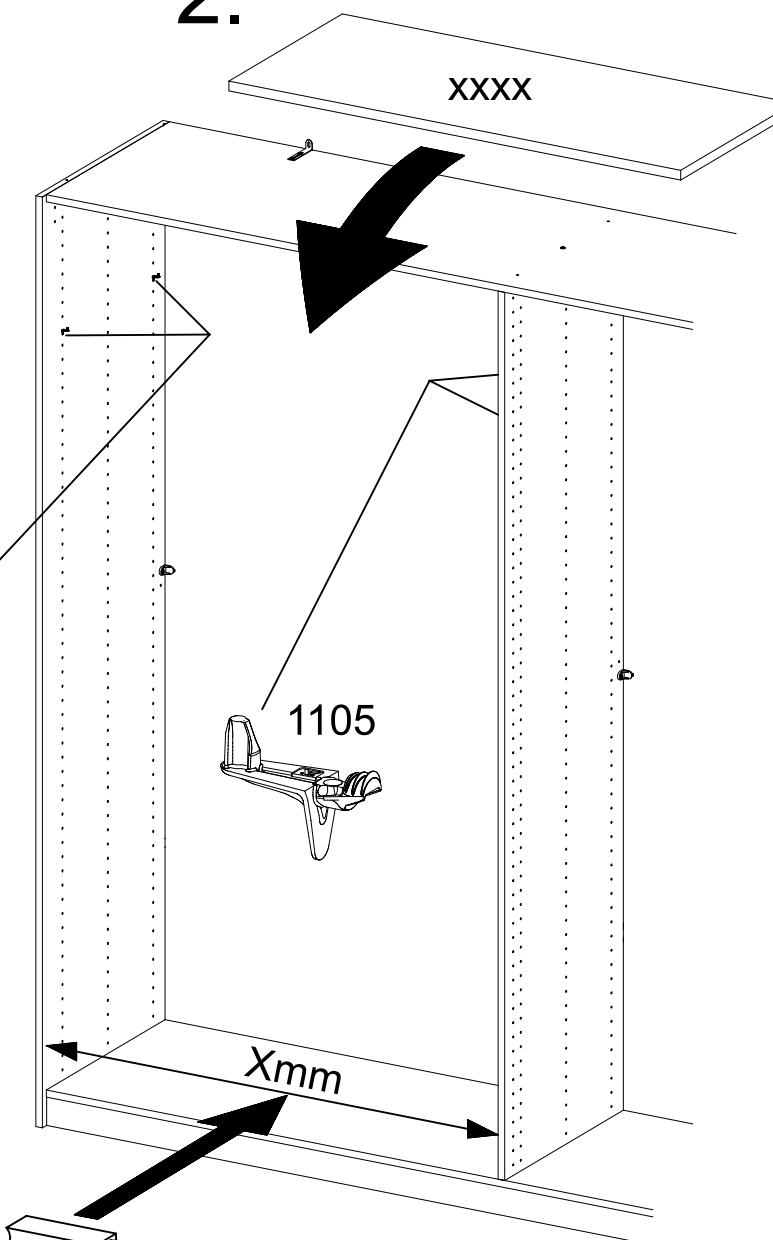


1

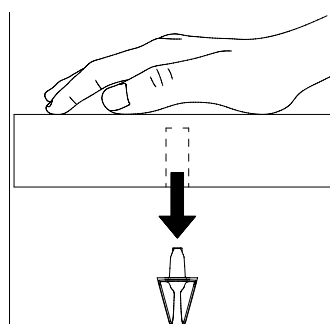
4x 1105 



2.

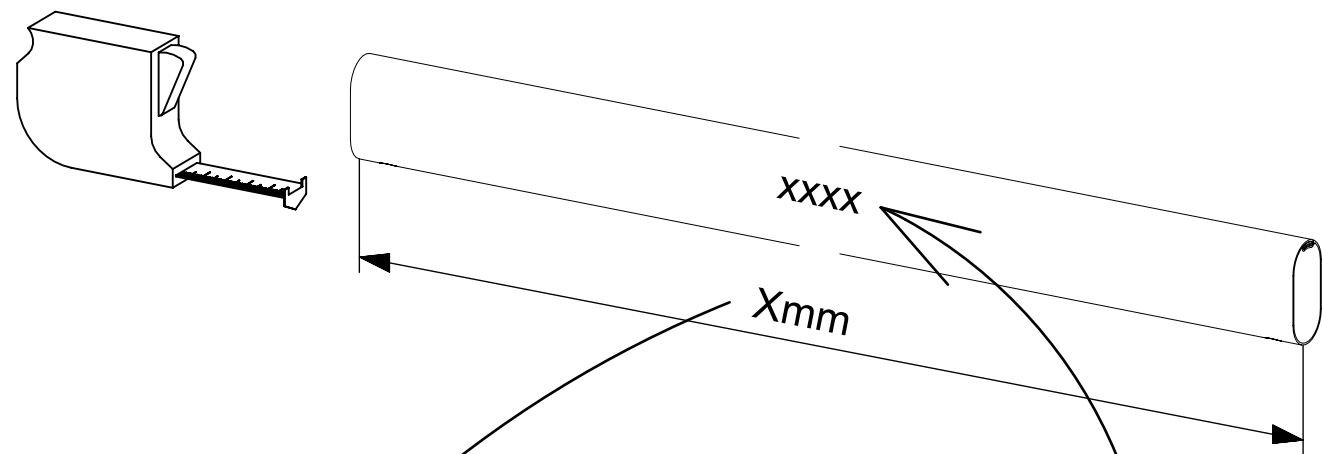
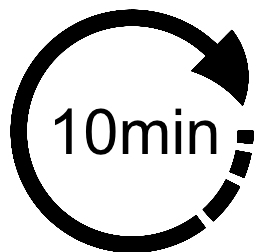
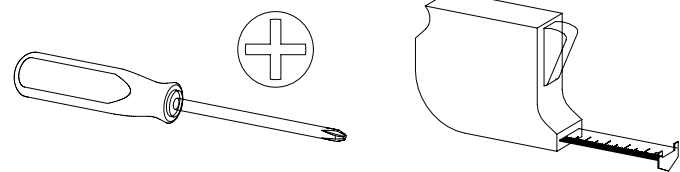


3.



MZ127_02

rauch



Xmm			xxxx
625mm	max. 40kg		2009
841mm	max. 40kg		2005
1057mm	max. 40kg		2007



xxxx = 2009, 2005
2007

1

2x 88 3,5x12

2x 279

