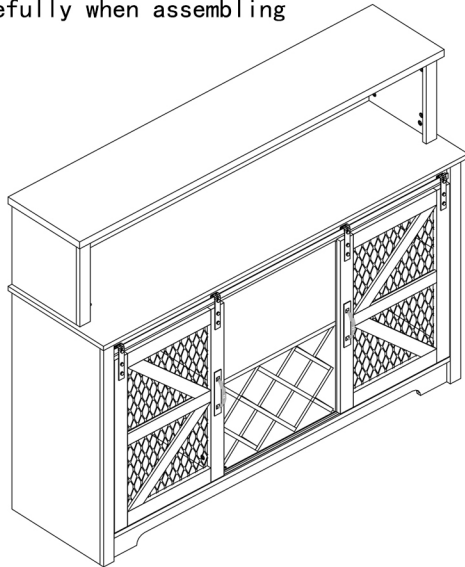
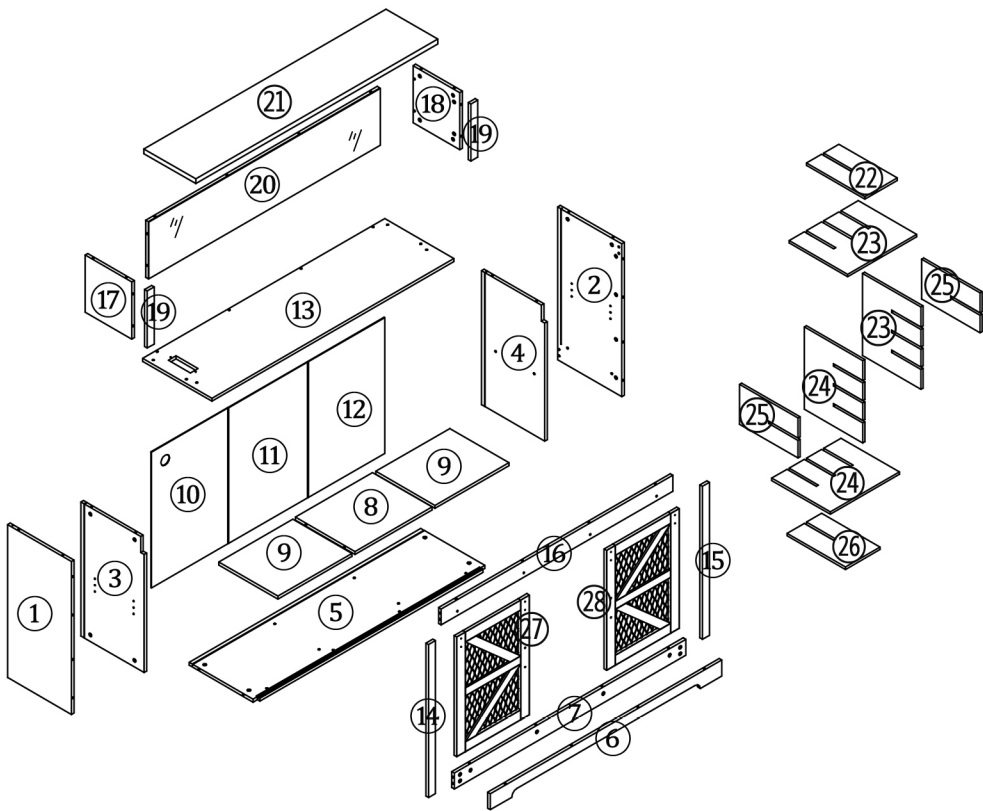





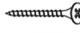















ASSEMBLY INSTRUCTION

- Please follow the instructions to assemble the items correctly.
- Please ensure the safety of the glass when assembling.
- Do not make the screws too loose or too tight.
- As shown in the figure, Insert the screw into the hole.
The arrow in the picture, Then rotate 90° or 180° clockwise.
- The accessory bag contains some small accessories, which should be kept away from children.
- The remaining parts are spare parts.
- Warm reminder white backboard please install the white side inward
- The operating instruction of RGB light is included in the package , please read it carefully when assembling

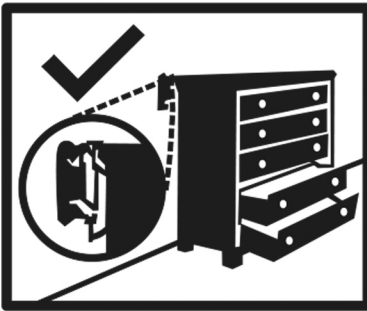
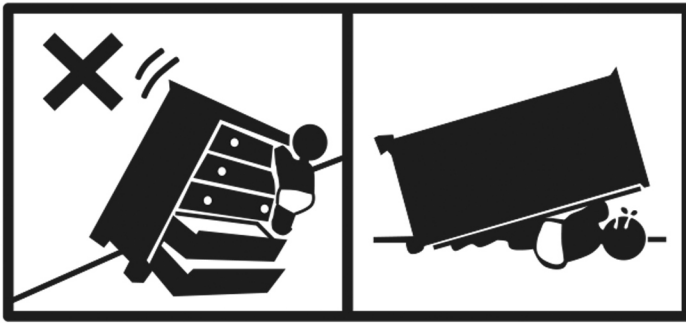




A  60pcs	B  60pcs	A1  12pcs	B1  12pcs	C  3.5*14 28pcs	C6  4*20 12pcs	F  2pcs	F1  4*22 4pcs	G  8pcs	R  1pcs
X  2pcs	Y  12pcs	Z  6*12 8pcs	Z3  6*30 4pcs	BD  4pcs	BE  4pcs	BG  3pcs	AM  Decorative paper 38pcs	LED 	



WARNING



Children have died from furniture tip over. To reduce the risk of tip over:

- ALWAYS secure this furniture to the wall using an anti-tip device.
- NEVER allow children to stand, climb, or hang on drawers, doors or shelves.

Do not defeat or remove the drawer interlock system.

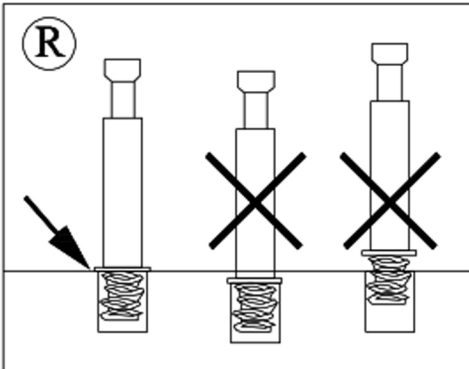
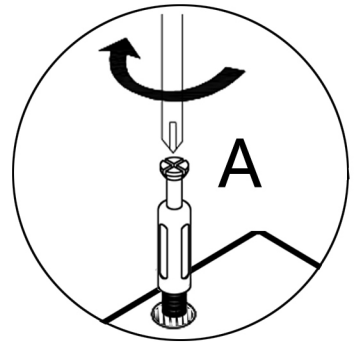
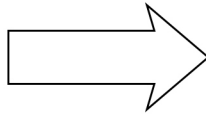
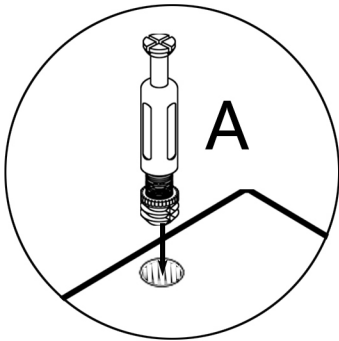
Place heaviest items in the lowest drawers.

NEVER put a TV on this furniture.



Hardware installation demonstration

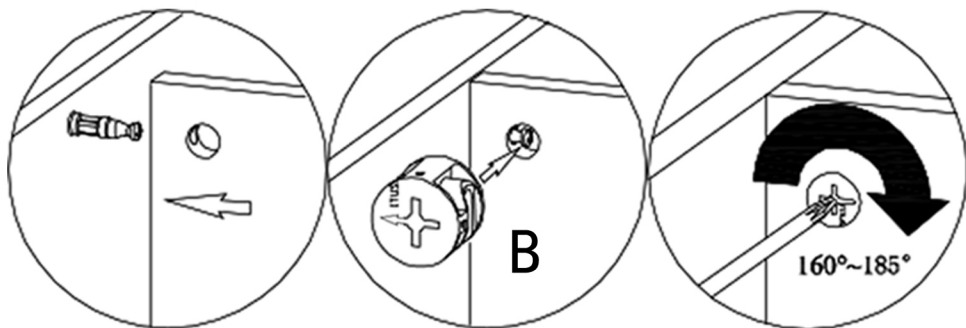
● Please make sure "A" hardware tightened and can't be pulled out



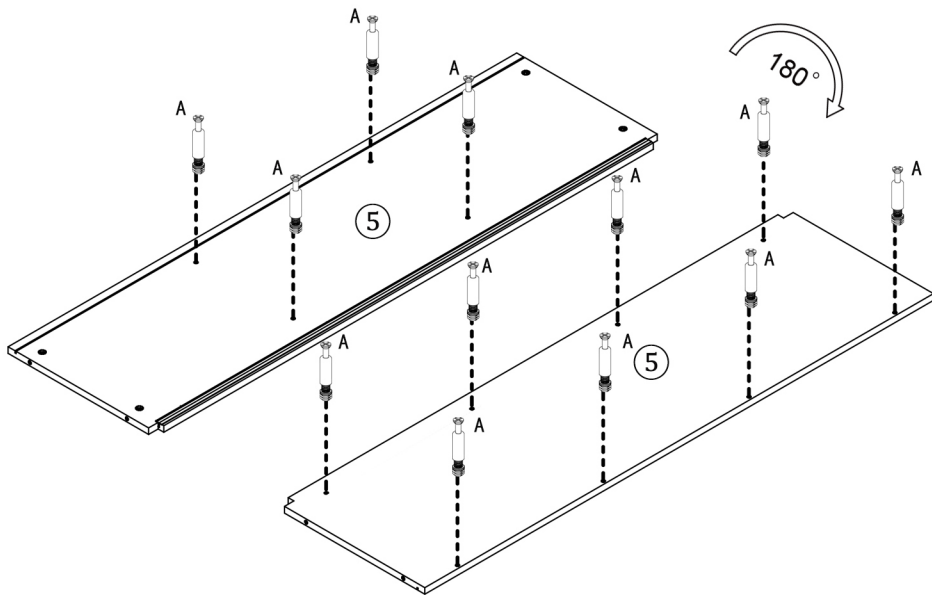


Hardware installation demonstration

- When inserting cam ensure arrowhead on cam points toward to the hole on the panel edge

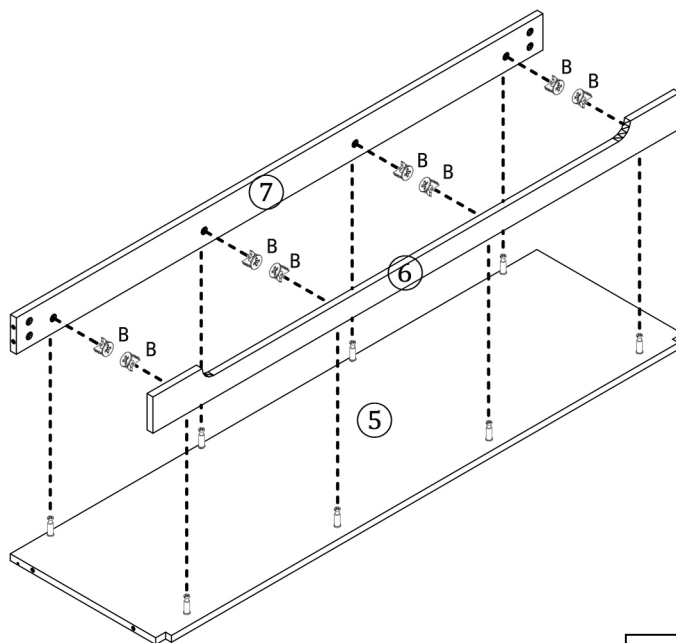


STEP 1



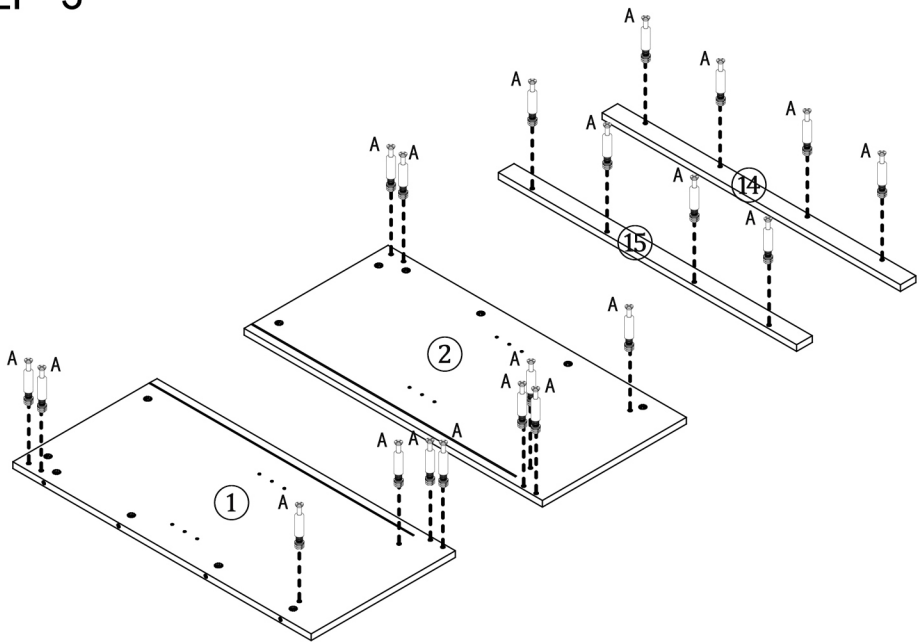
A*12

STEP 2



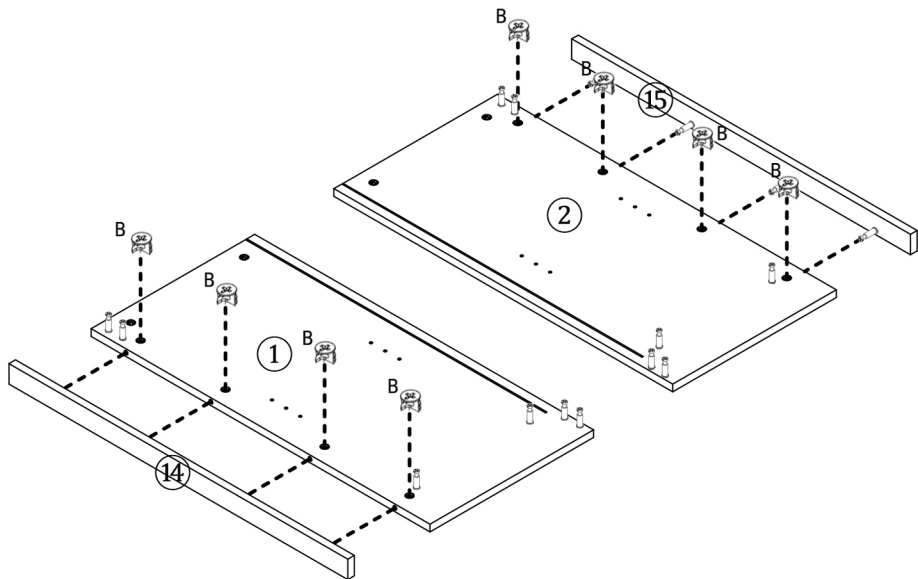
B*8

STEP 3



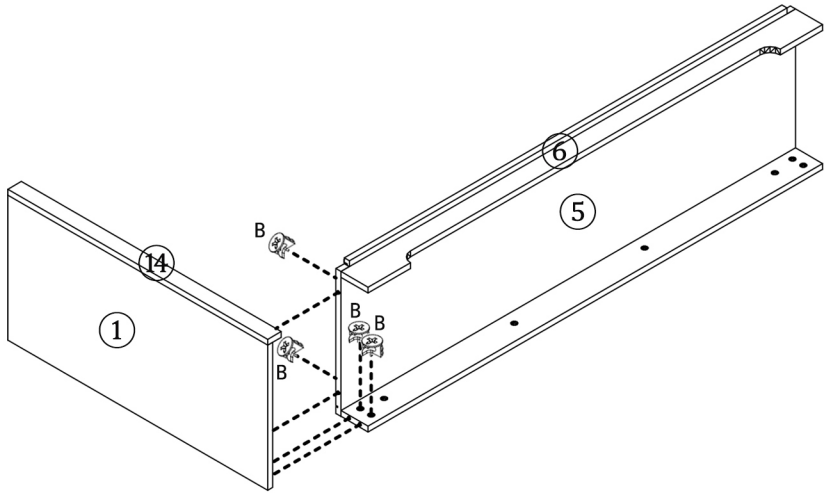
A*20

STEP 4



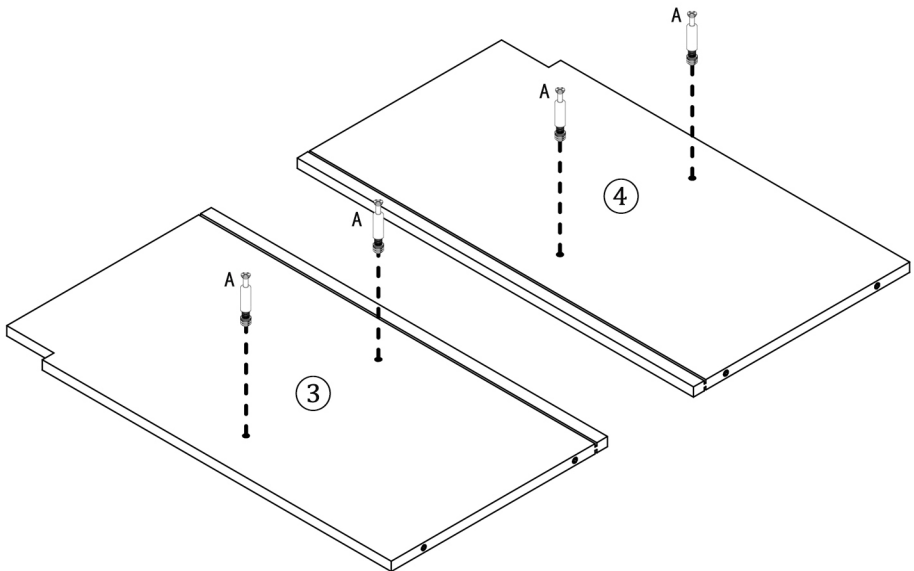
B*8

STEP 5



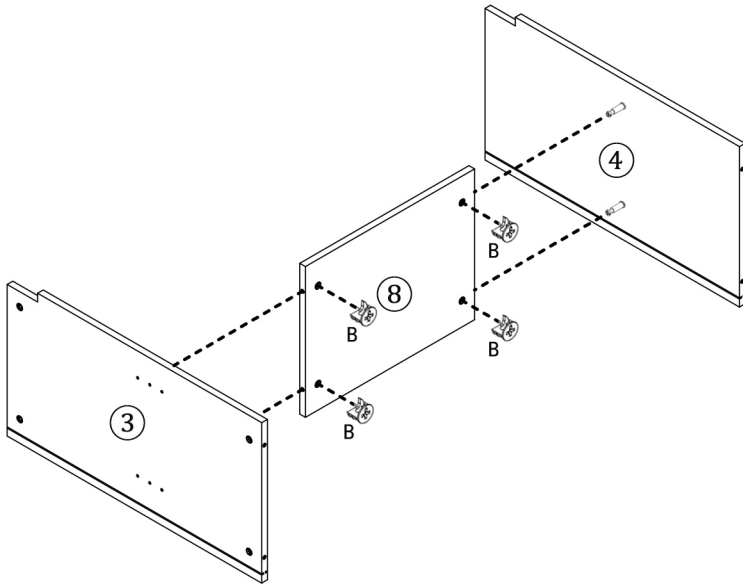
B*4

STEP 6



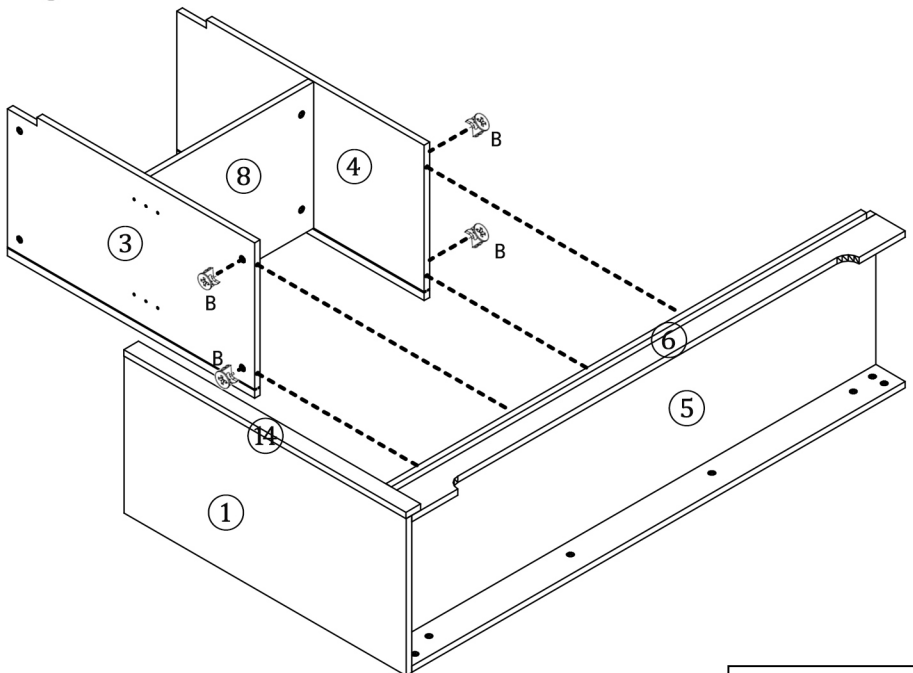
A*4

STEP 7



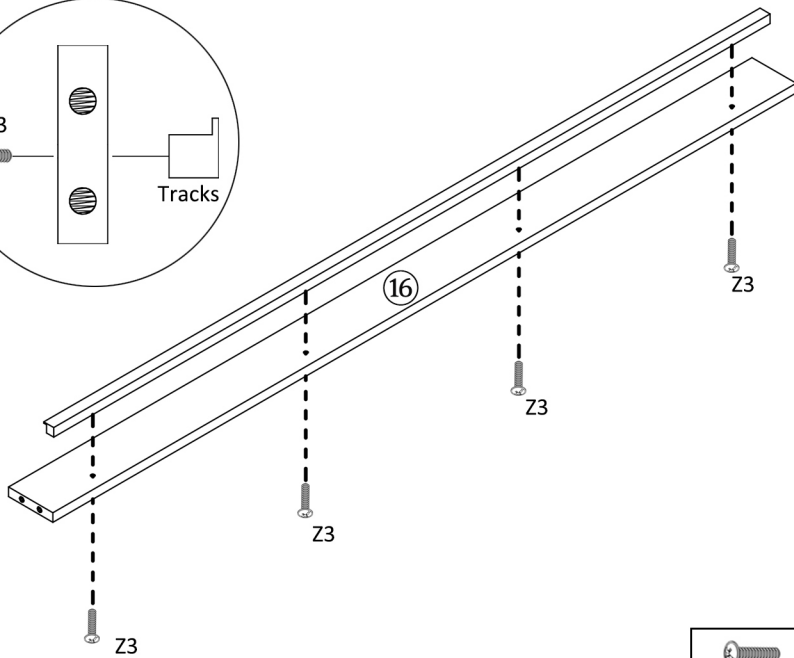
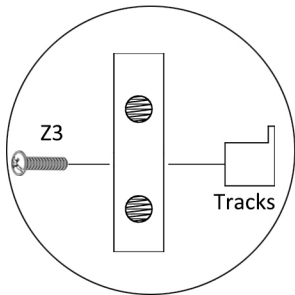
B*4

STEP 8



B*4

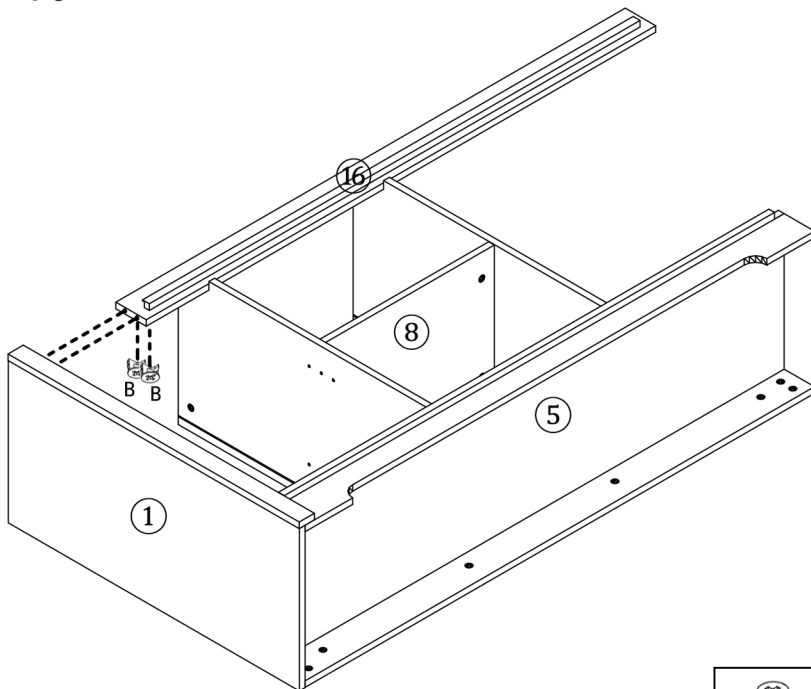
STEP 9



Z3*4

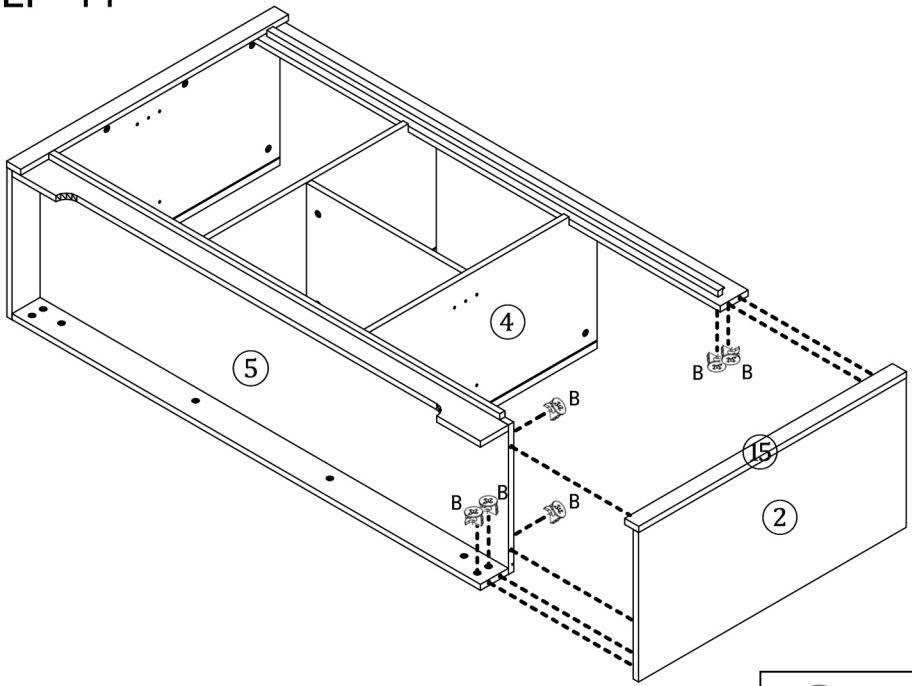
6*30

STEP 10



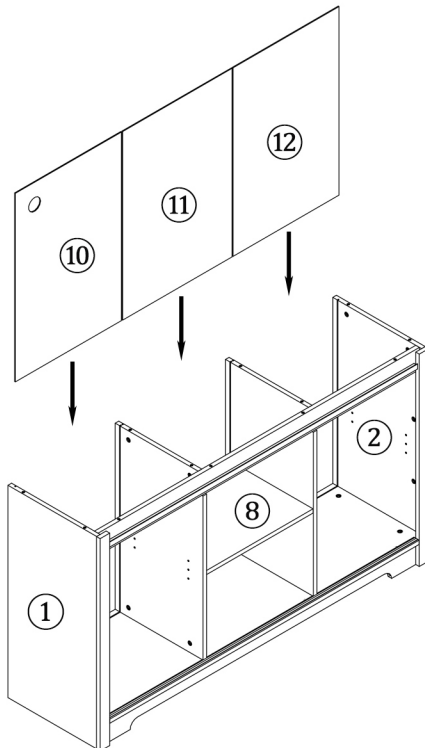
B*2

STEP 11

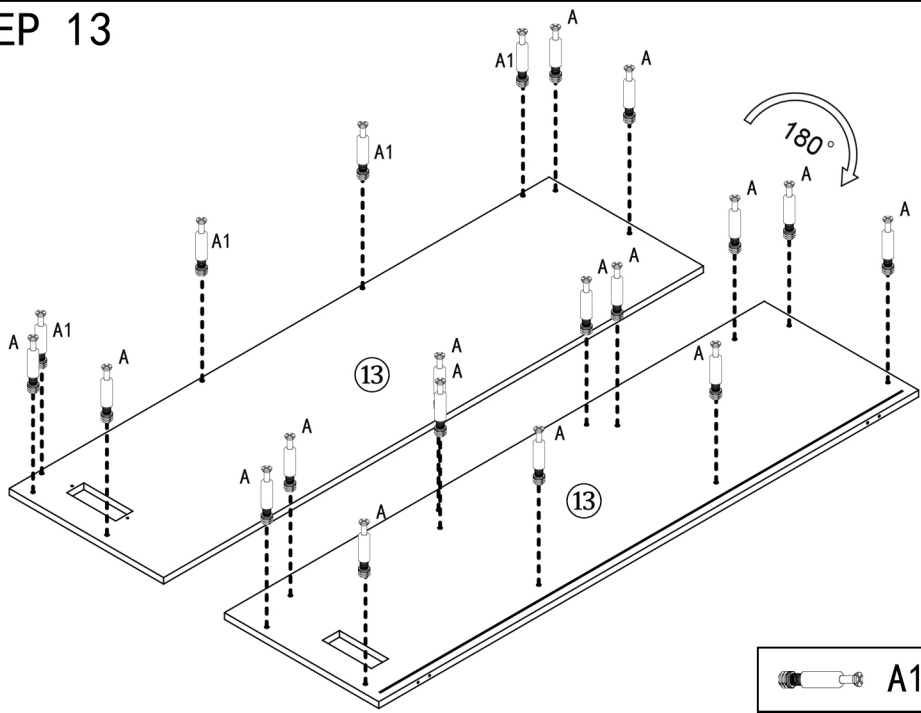


B*6

STEP 12

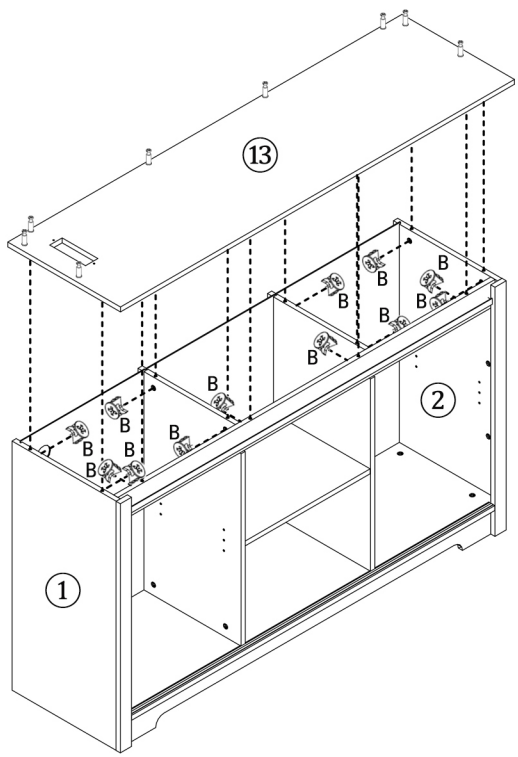




STEP 13



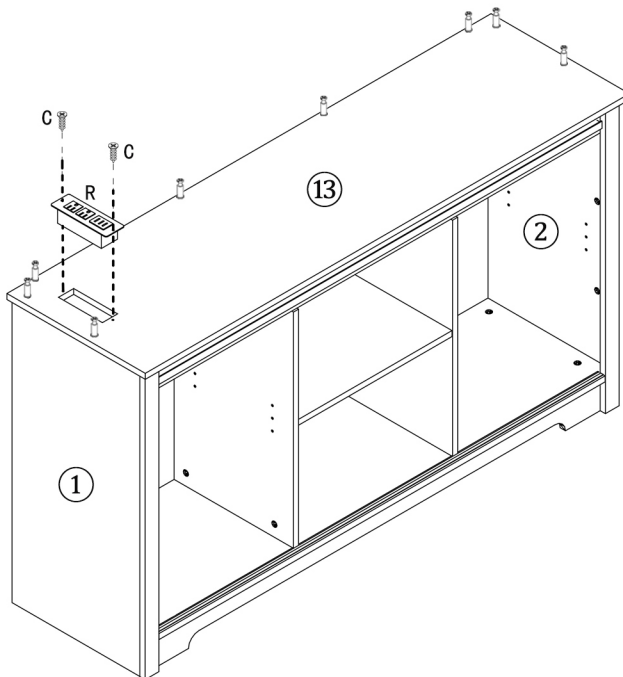
-  A1*4
-  A*16

STEP 14




-   B*12

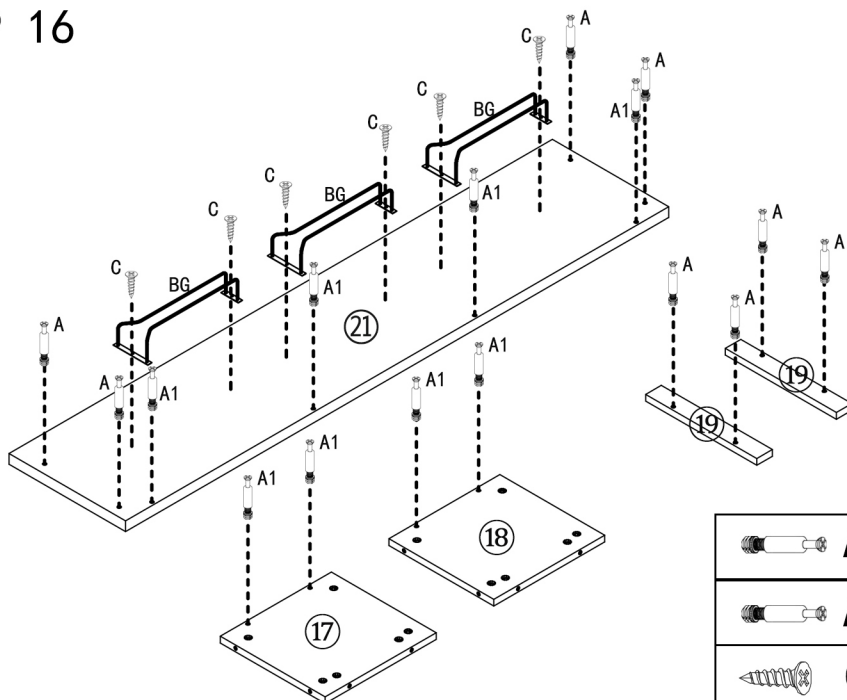
STEP 15



 C*2

 R*1

STEP 16



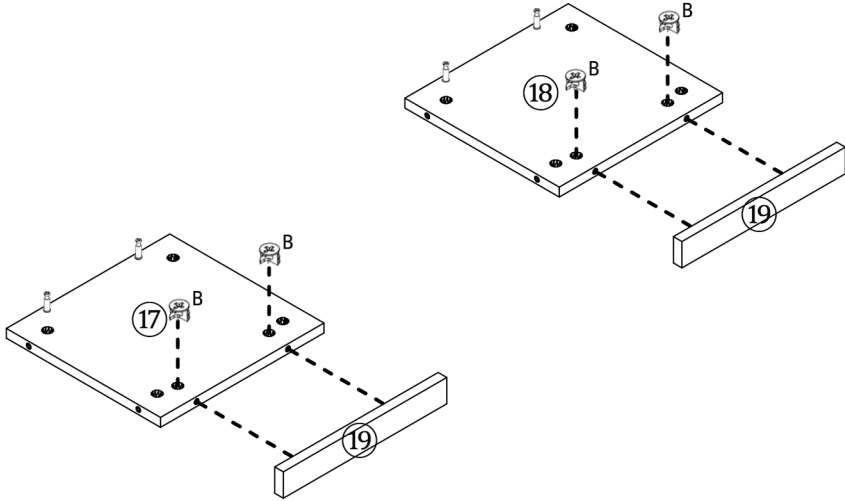
 A1*8

 A*8

 C*6

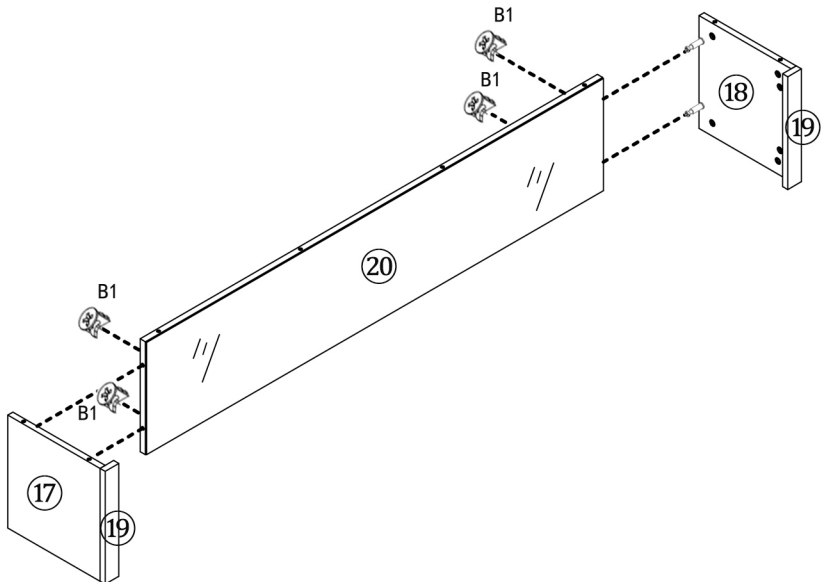
 BG*3

STEP 17



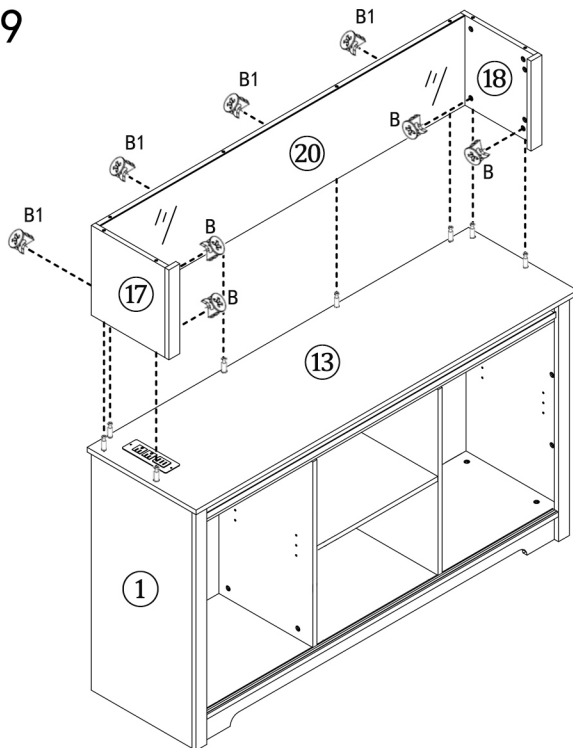
B*4



STEP 18



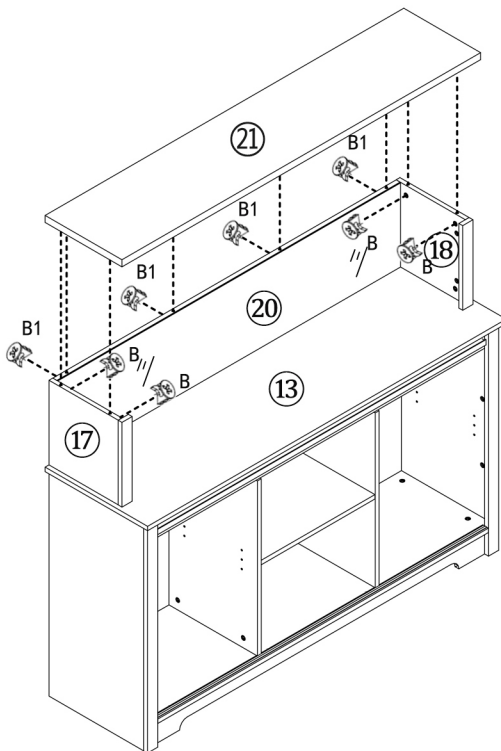
B1*4



STEP 19



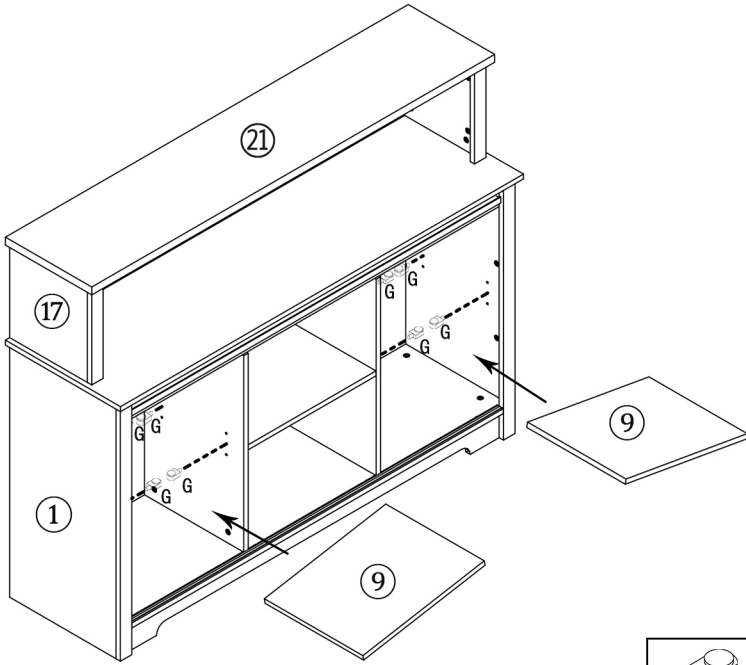
	B1*4
	B*4

STEP 20

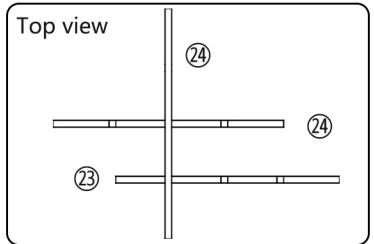
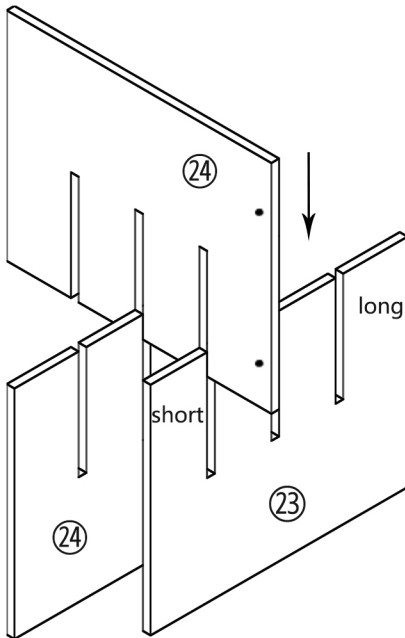


	B1*4
	B*4

STEP 21

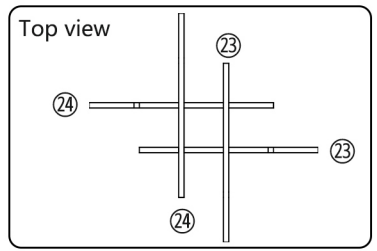
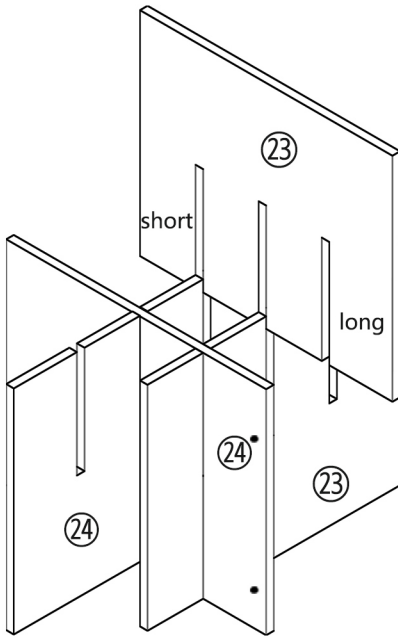


STEP 22



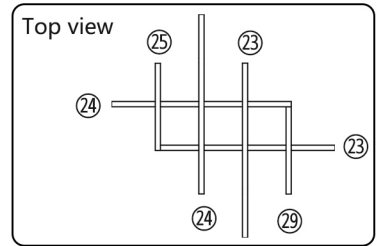
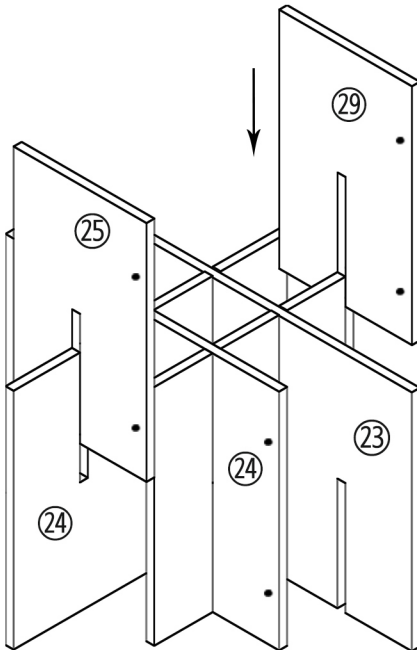
Attention: Board 23 direction

STEP 23



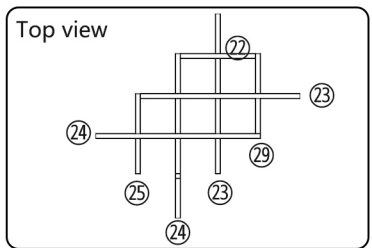
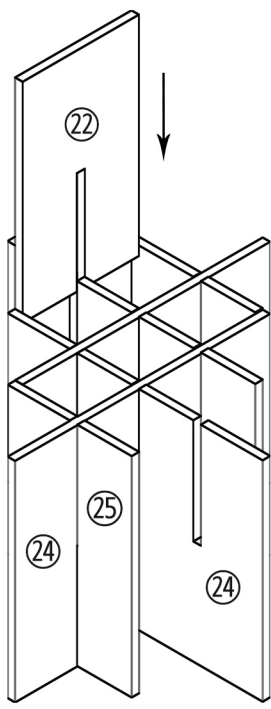
Attention: Board 23 direction

STEP 24

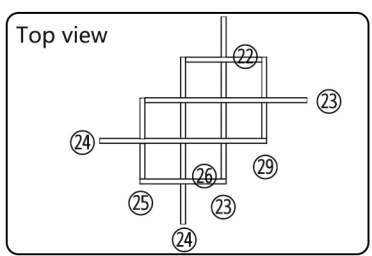
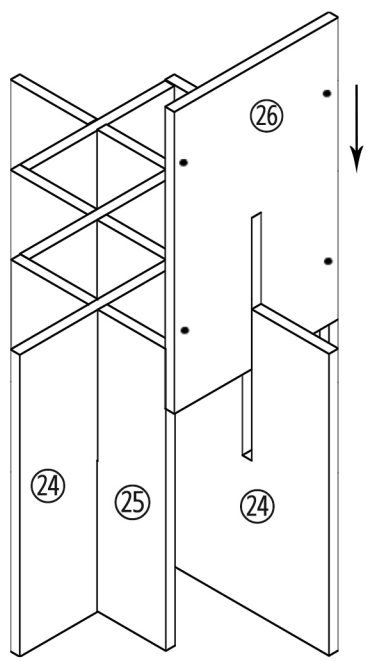


STEP 25

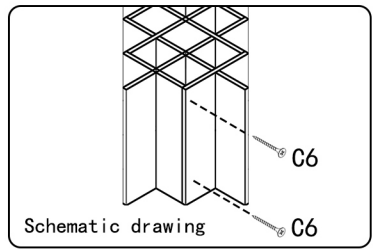
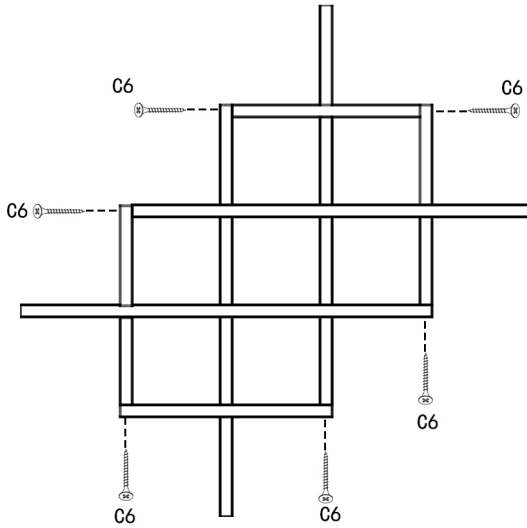
180°
Flip



STEP 26



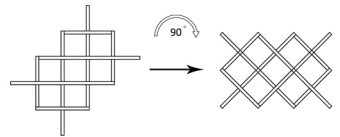
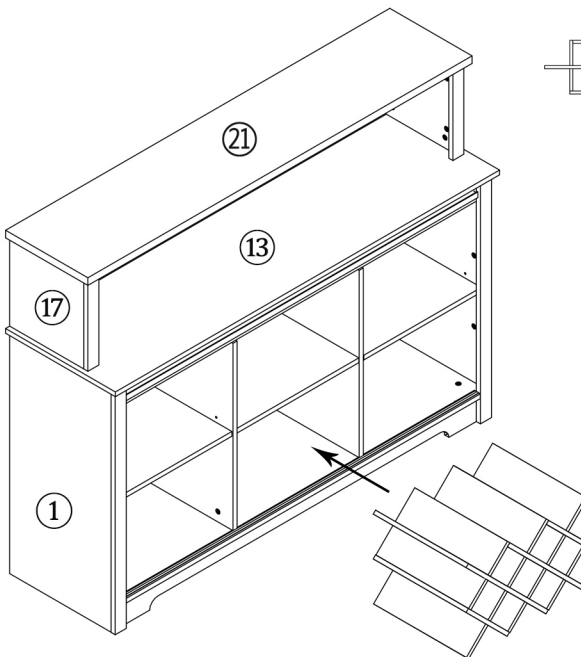
STEP 27



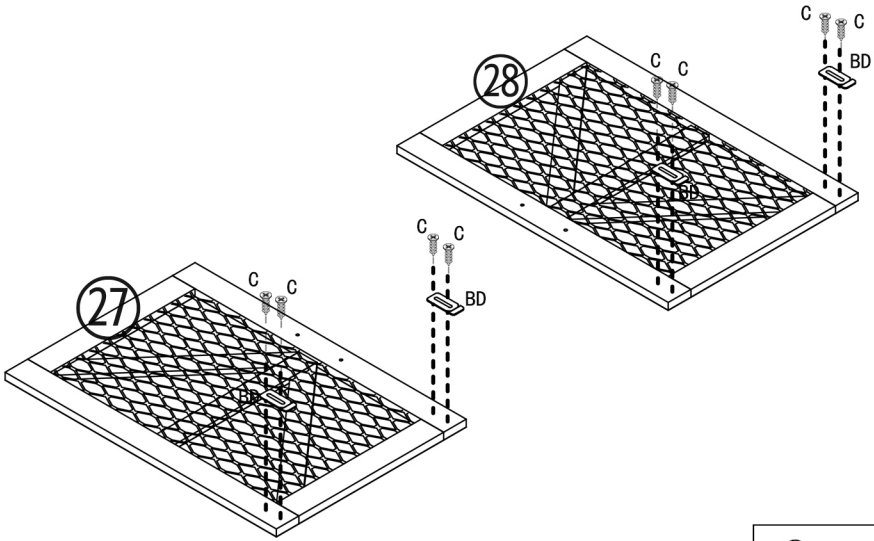
Each side has two self-tapping fixed





STEP 28

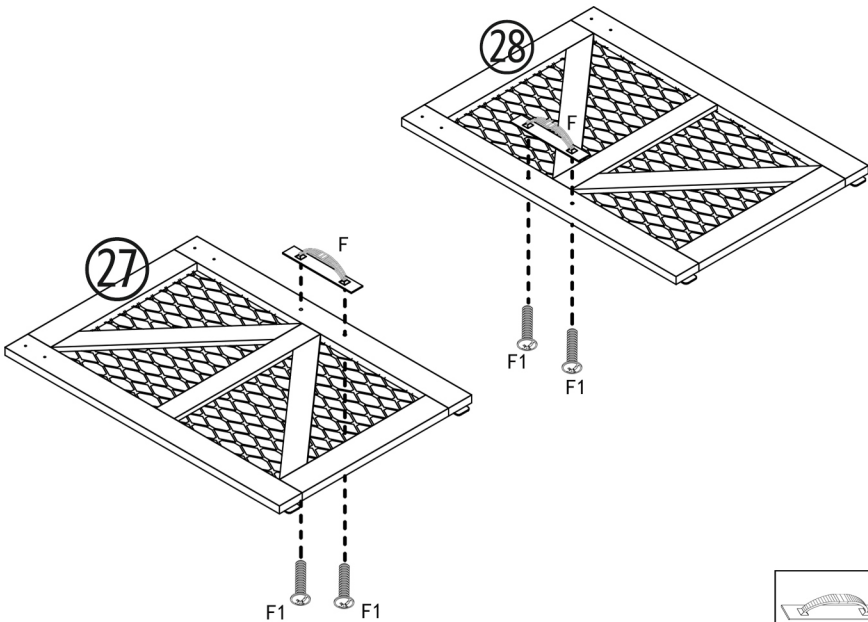




STEP 29



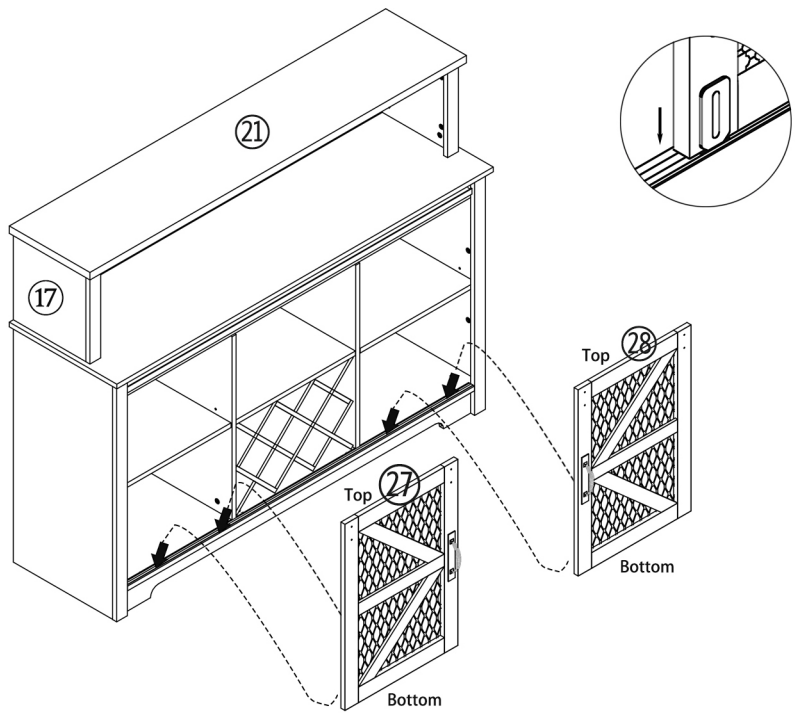
	BD*4
	C*8

STEP 30



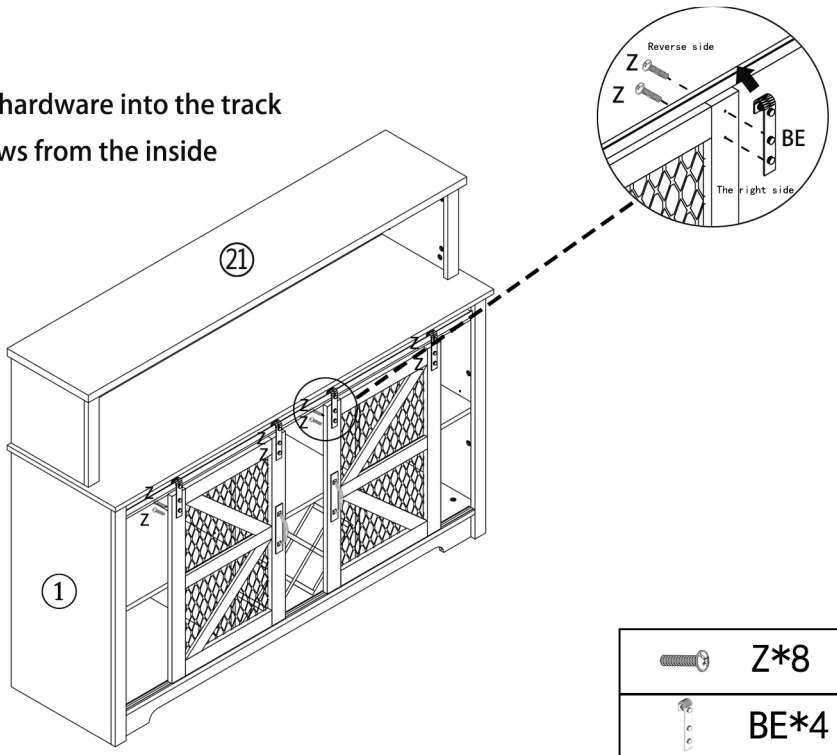
	F*2
	F1*4

STEP 31

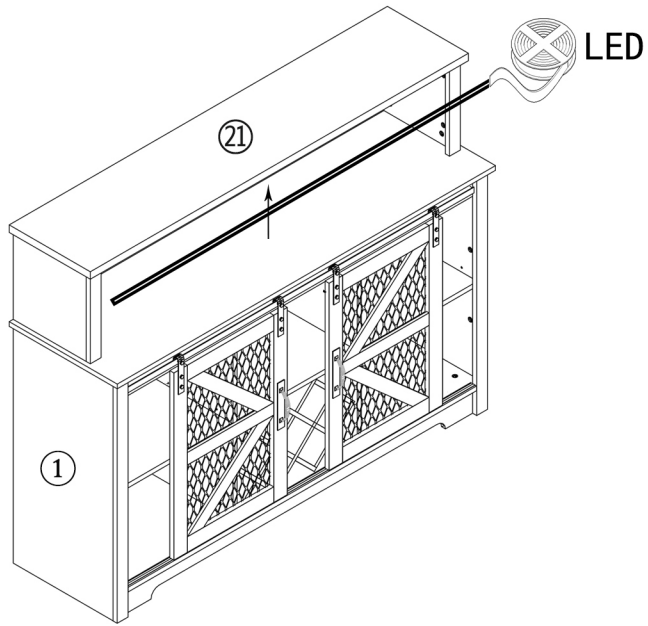


STEP 32

1. Put the BE hardware into the track
2. Install screws from the inside



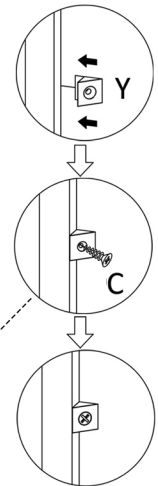
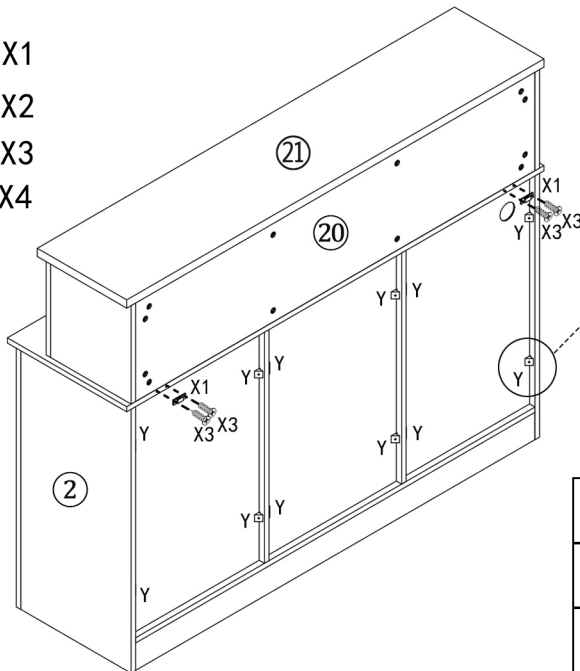
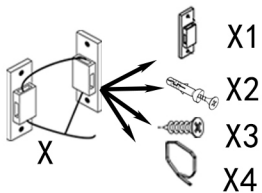
STEP 33


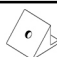




Please paste the LED light belt on board 21



STEP 34

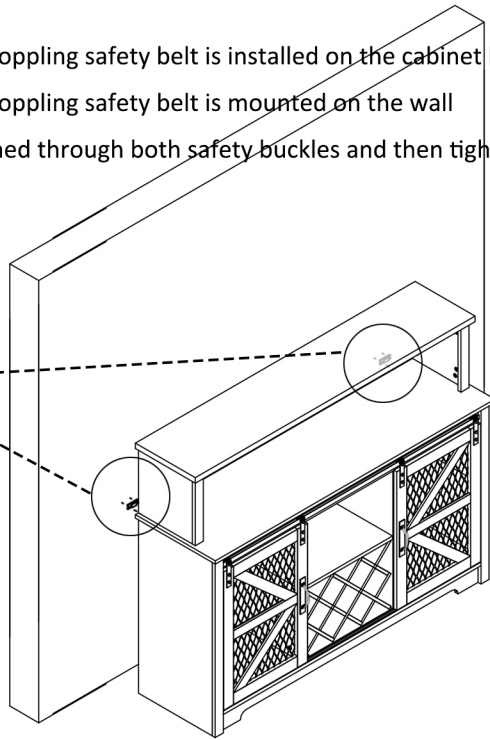
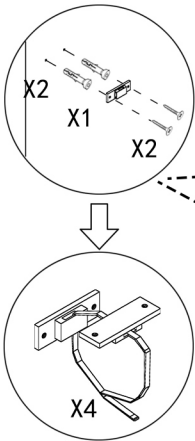



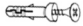

-  C*12
-  Y*12
-  X1*2
-  X3*4

Please open the X attachment, take out X1 and X3 and install them on board No. 13

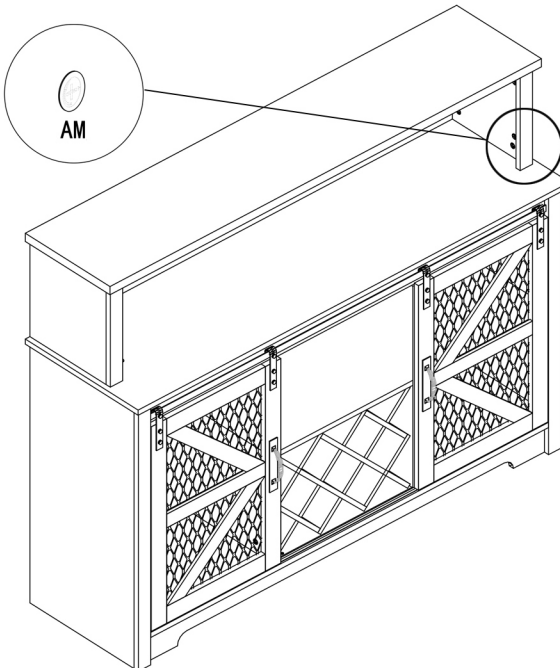
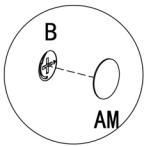
STEP 35

1. One side of the anti-toppling safety belt is installed on the cabinet body
2. One side of the anti-toppling safety belt is mounted on the wall
3. The seat belt is fastened through both safety buckles and then tightened



	X1*2
	X2*4
	X4*2

STEP 36



	AM*38
---	-------

Decorative paper