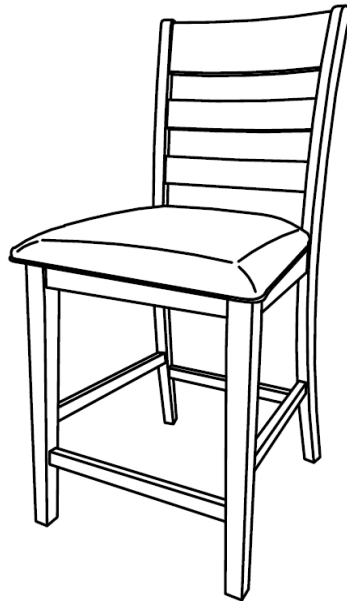


Assembly Instructions

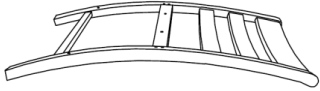

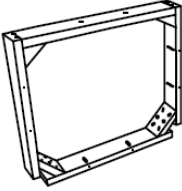
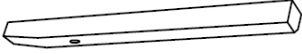

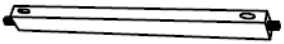
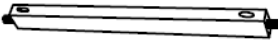

Caution: •You must read this before you proceed.

•Sets often ship in multiple boxes and may arrive a day or two apart.


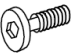
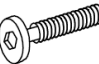
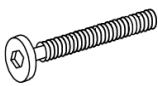




Counter Height Chair



Parts List

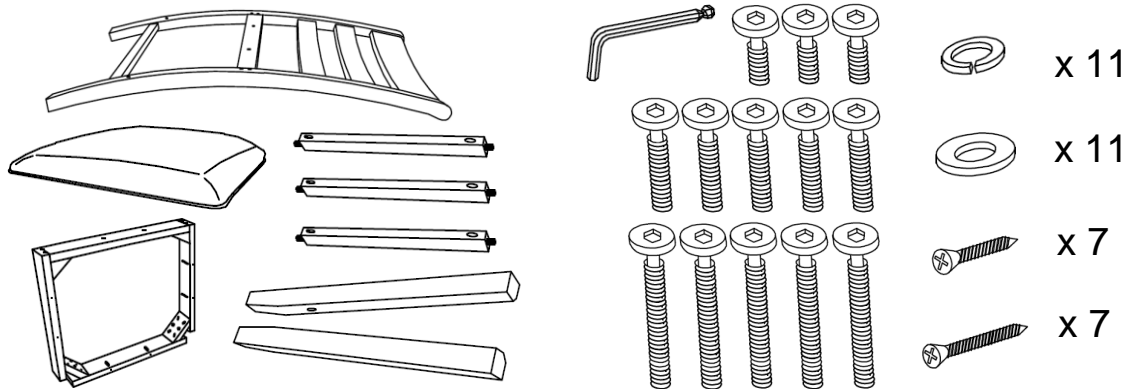
Label	Picture	Description	QTY
A		Back Rest	1
B		Cushion Seat	1
C		Seat Frame	1
D		Left Front Leg	1
E		Right Front Leg	1
F		Left Side Stretcher	1
G		Right Side Stretcher	1
H		Front Stretcher	1

Hardware

Label	Picture	Description	QTY
①		Allen Wrench	1
②		Bolt (M6 x 35mm)	3
③		Bolt (M6 x 60mm)	5
④		Bolt (M6 x 70mm)	5
⑤		Spring Washer (M6)	11
⑥		Washer (M6)	11
⑦		Screw (M4 x 25mm)	7
⑧		Screw (M4 x 38mm)	7

Assembly Preparation

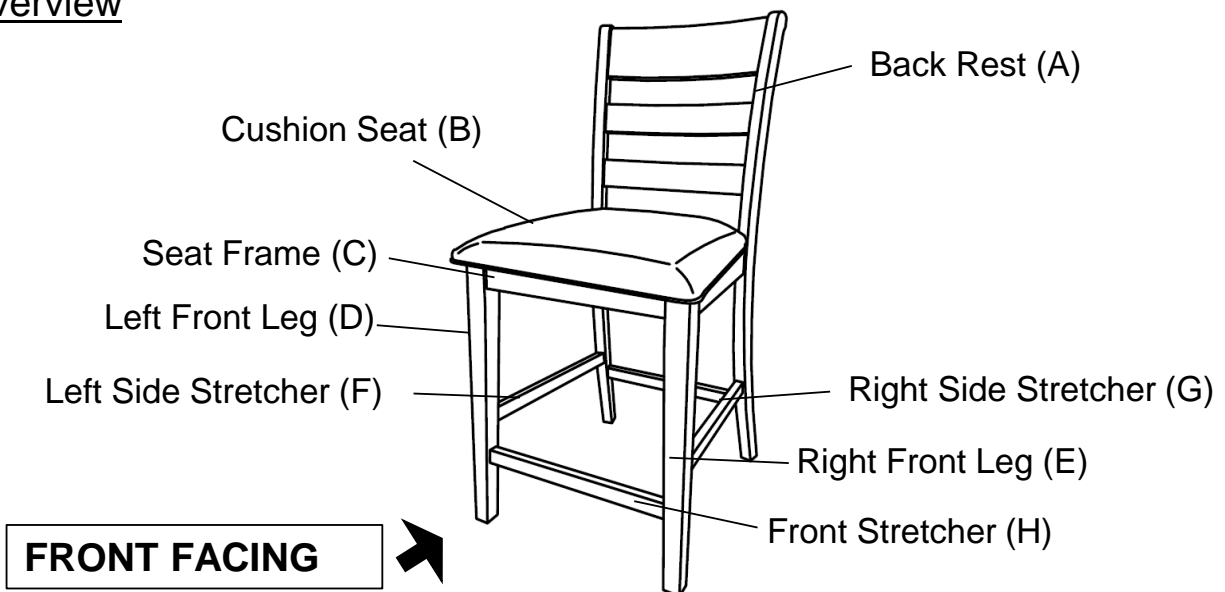
Before Beginning Assembly :



- Read instructions, cover to cover-
- Have 2 adults on hand for assembly-
- Do not assemble on flooring or carpet-
- Assemble on a clean non-marring surface (packing foam)-
- Save all packaging until finished-

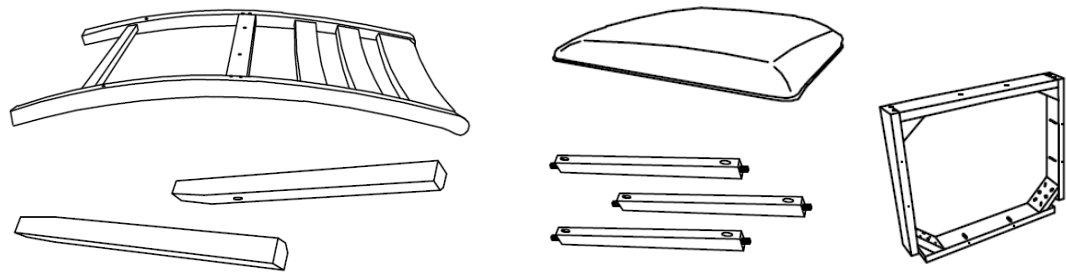
Assembly Steps

Overview



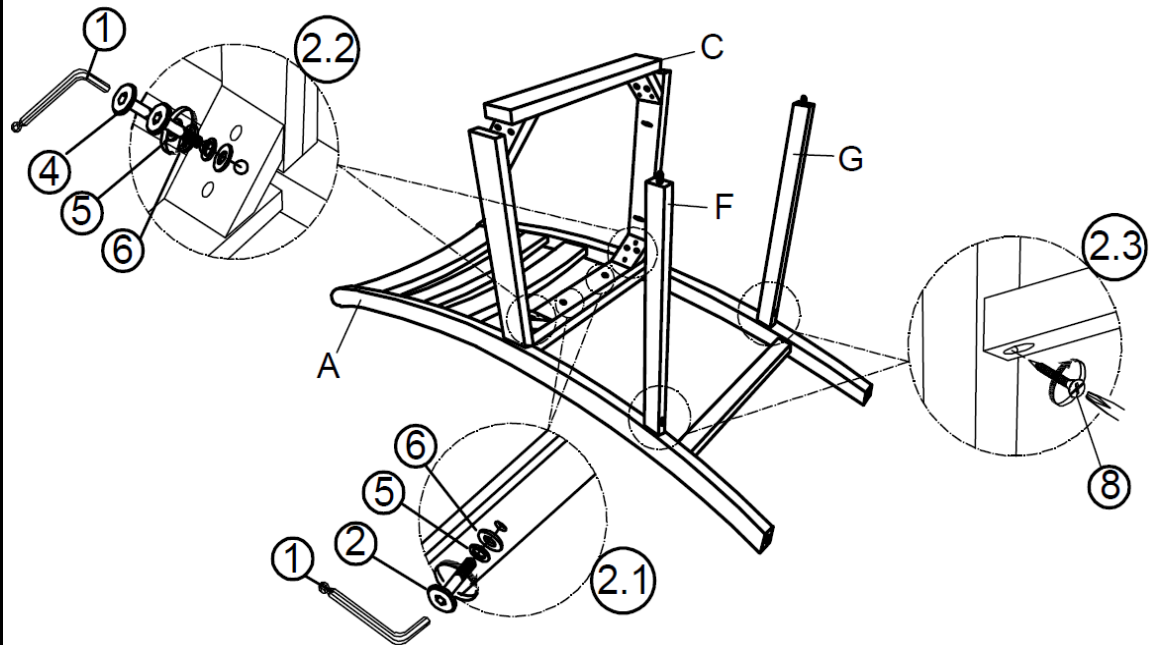
This Chair has multiple parts and may require up to 30 minutes to assemble. To give you an overview of the Chair parts, the above picture is to help you put the various parts into perspective. Please read through the instructions below to familiarise yourself with the parts and steps before assembly.

Step 1



Unpack and place all parts on a clean, non-marring surface.

Step 2



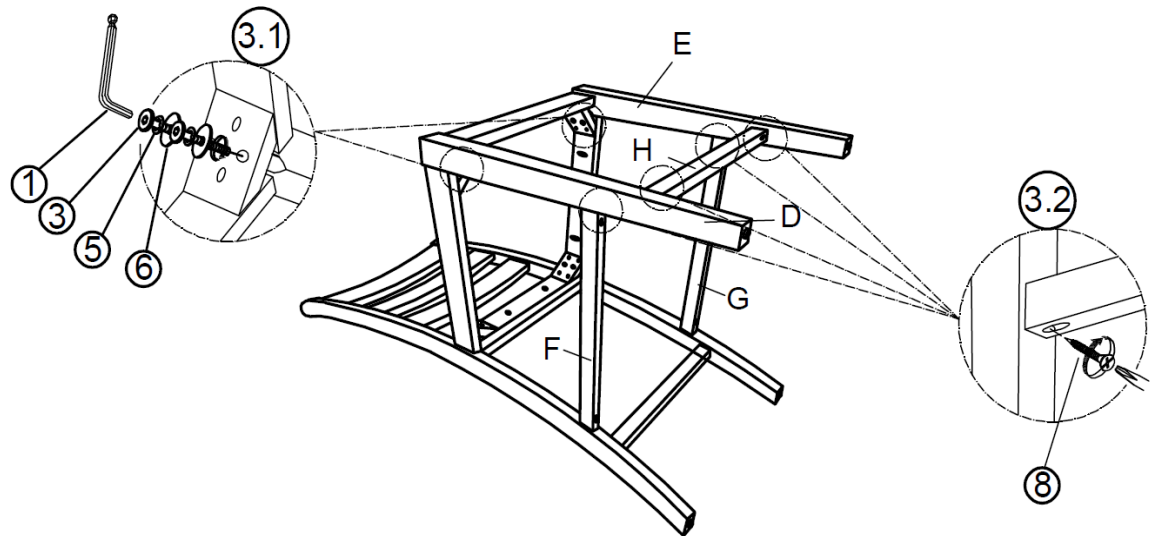
2.1: Place the Back Rest (A) as shown above. Attach Box Seat (C) to Back Rest (A) using Bolt (②) , Spring Washer (⑤) and Washer (⑥) with Allen Wrench (①).

2.2: Then fix the Seat Frame (C) and Back Rest(A) with Bolt (④), Spring Washer (⑤) and Washer (⑥) using Allen Wrench (①).

2.3: Align the tenon of Left Side Strecher (F) and Right Side Stretcher (G) with the mount position of Back Rest (A). Then, fix the Stretcher using Screw (⑧) with Screwdriver (Not Provided).

Do not fully tighten the Bolts.

Step 3

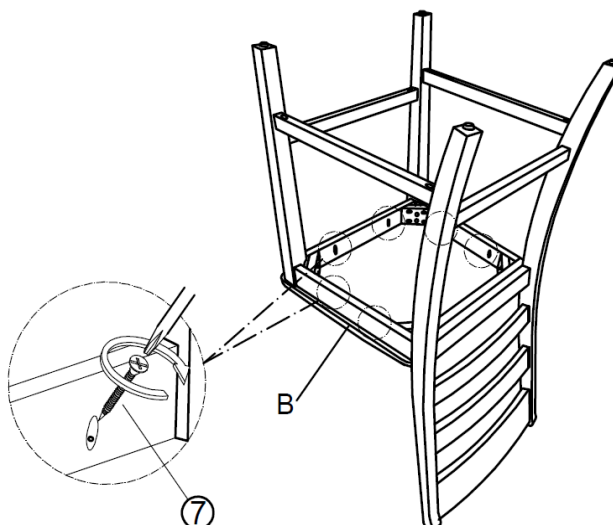


3.1: Attach Left Front Leg (D) and Right Front Leg (E) to Back Rest (A) using Bolt (③), Spring Washer (⑤) and Washer(⑥) with Allen Wrench (①).

3.2: Align the tenon of Left Side Stretcher (F), Right Side Stretcher (G) and Front Stretcher (H) with the mount position of Left Front Leg (D) and Right Front Leg (E). Then fix the Stretcher with Screw (⑧) using Screwdriver (Not Provided).

Do not fully tighten the Bolts.

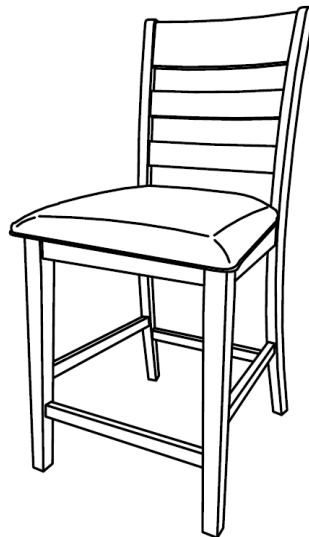
Step 4



Then, turn the Counter Height Chair upside down and fix the Cushion Seat (B) using Screw (⑦) with Screwdriver(Not Provided).

Tighten the Screws fully.

Step 5



Turn the Counter Height Chair right side up.
Place the Counter Height Chair on a LEVEL SURFACE.
Inspect it and make sure all parts are adequately connected.
Gently and gracefully, sit into to the Counter Height Chair.
This would help to align all the parts at all the joint areas.

Then get off the Counter Height Chair, and in a sequential manner, proceed to tighten all Bolts.

**CAUTION 1: When tightening the Bolts, tighten sequentially.
DO NOT tighten any bolt fully and then towards the next one.**

This would cause the frame to warp.

If there is still wobbles, loosen the bolts and execute this same process.

WARNING!! IF COUNTER HEIGHT CHAIR IS NOT STABLE , IT COULD LEAD TO DAMAGING THE PRODUCT.

Ensure all bolts are fully locked into position.

The Counter Height Chair is ready to be used.

Caution 2: This Counter Height Chair can only be used on a flat, level surface.

Care & Maintenance



- Furniture may scratch floors. We recommend using furniture pads to protect your floors.



- Do not put hot items directly on furniture surface.



- Do not clean furniture with harsh cleansers or polish.



- Do not place furniture under direct sunlight.



- Do not place furniture near heating or cooling vents.



- Do not write on furniture without a padded barrier to protect the surface.



- Do not place furniture outside . For indoor use only.



- Not for commercial use. For residential use only.



- Stains may be removed with mild soap solution and damp cloth.



- Children should not climb or jump on the furniture.



- Dust and pick-up spills using a clean, non-colored, lint-free cloth.

Questions & Answers about Proposition 65

- What is Proposition 65?

Proposition 65 requires businesses to provide warnings to Californians about significant exposures to chemicals that cause cancer, birth defects or other reproductive harm. These chemicals can be in the products that Californians purchase, in their homes or workplaces, or that are released into the environment. By requiring that this information be provided, Proposition 65 enables Californians to make informed decisions about their exposures to these chemicals.

Proposition 65 also prohibits California businesses from knowingly discharging significant amounts of listed chemicals into sources of drinking water.

Proposition 65 requires California to publish a list of chemicals known to cause cancer, birth defects or other reproductive harm. This list, which must be updated at least once a year, has grown to include approximately 900 chemicals since it was first published in 1987.

- What types of chemicals are on the Proposition 65 list?

The list contains a wide range of naturally occurring and synthetic chemicals that include additives or ingredients in pesticides, common household products, food, drugs, dyes, or solvents. Listed chemicals may also be used in manufacturing and construction, or they may be byproducts of chemical processes, such as motor vehicle exhaust.

- What does a warning mean?

If a warning is placed on a product label or posted or distributed at a workplace, a business, or in rental housing, the business issuing the warning is aware or believes that it is exposing individuals to one or more listed chemicals.

By law, a warning must be given for listed chemicals unless the exposure is low enough to pose no significant risk of cancer or is significantly below levels observed to cause birth defects or other reproductive harm.

- Where can I get more information on Proposition 65?