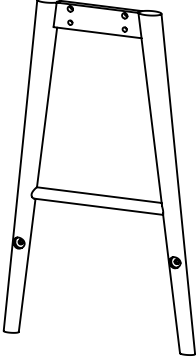

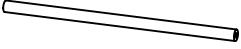
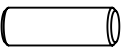


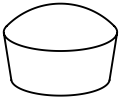


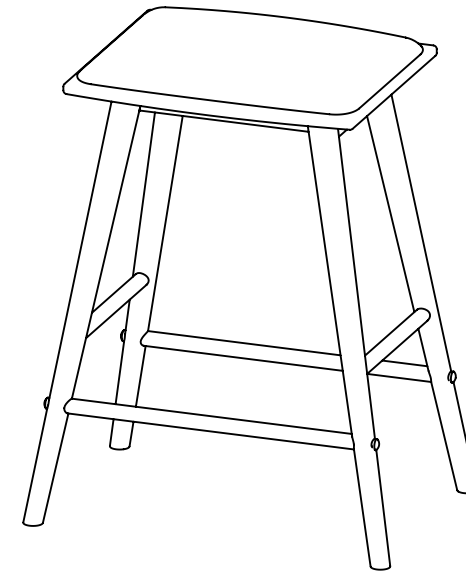
| Part List And Hardware List |                       |                                                                                              |      |
|-----------------------------|-----------------------|----------------------------------------------------------------------------------------------|------|
| PIECE                       | DESCRIPTION           | PICTURE                                                                                      | QTY. |
| A                           | Leg Frame             |             | 2    |
| B                           | Seat                  |             | 1    |
| C                           | Leg Stretcher         |             | 2    |
| 1                           | Dowel                 | <br>10x30   | 4    |
| 2                           | Socket Head Cap Screw | <br>35mm  | 8    |
| 3                           | Allan Key             | <br>4     | 1    |
| 4                           | Wooden cap            | <br>15x10 | 8    |

# JY

JONATHAN Y




MODEL # CSL2002

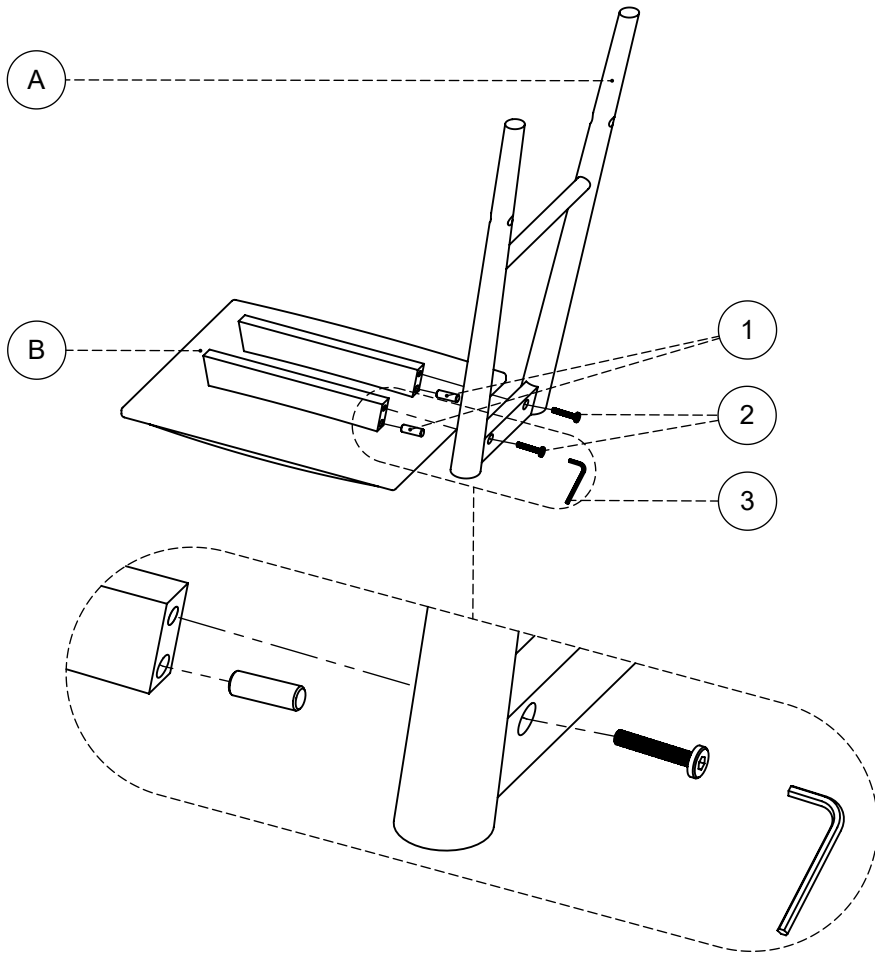
Product Dimension: 20.5"D x 14"W x 26"H





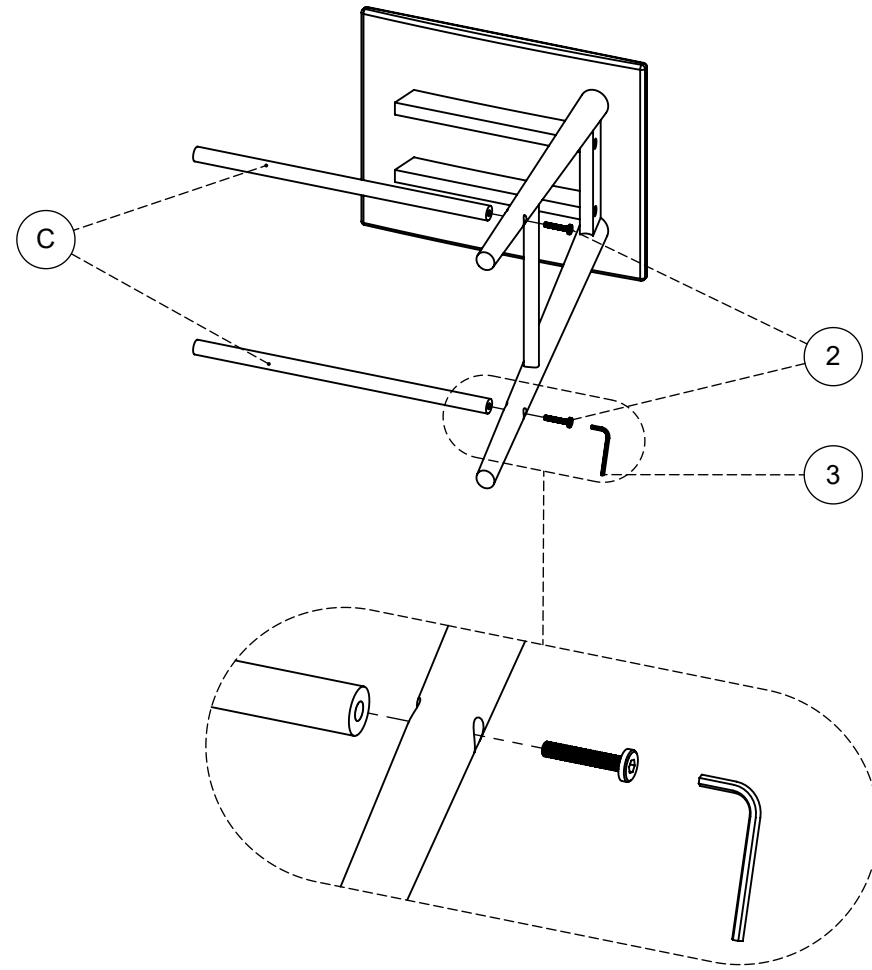
If there are any questions relating to defects, missing parts, assembly issues or replacements, please send a detailed email to [cs@jonathany.com](mailto:cs@jonathany.com).

**1**

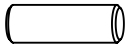


|   |                                                                                         |     |
|---|-----------------------------------------------------------------------------------------|-----|
| 1 |  10x30 | 2   |
| 2 |  35mm  | 2   |
| 3 |        | 4 1 |

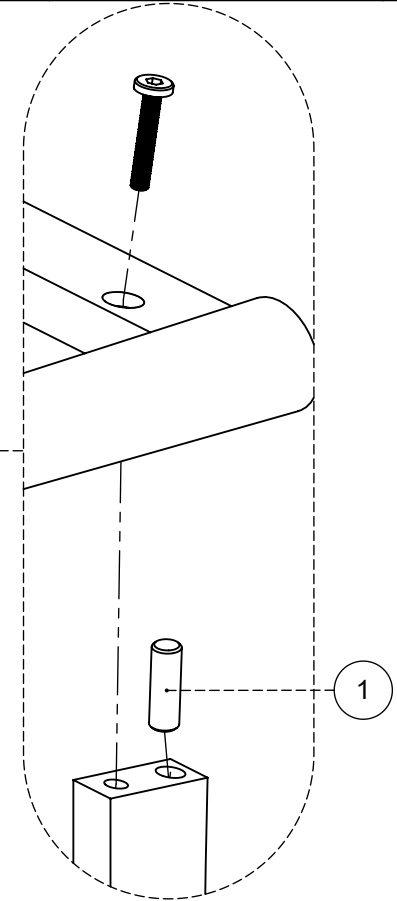
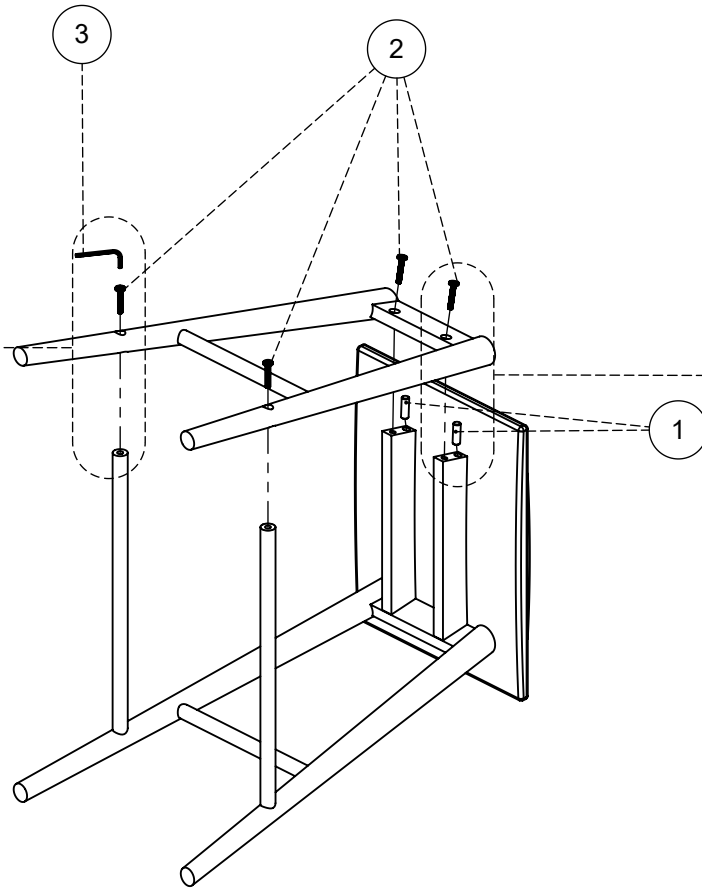
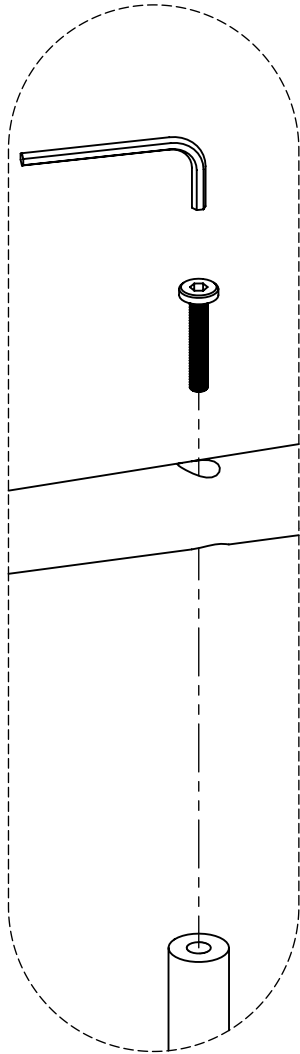
**2**

|   |                                                                                          |     |
|---|------------------------------------------------------------------------------------------|-----|
| 2 |  35mm | 2   |
| 3 |       | 4 1 |



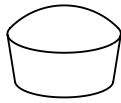
3

|   |                                                                                     |       |   |
|---|-------------------------------------------------------------------------------------|-------|---|
| 1 |  | 10x30 | 2 |
| 2 |  | 35mm  | 4 |
| 3 |  | 4     | 1 |



5

4



15x10

8

6

