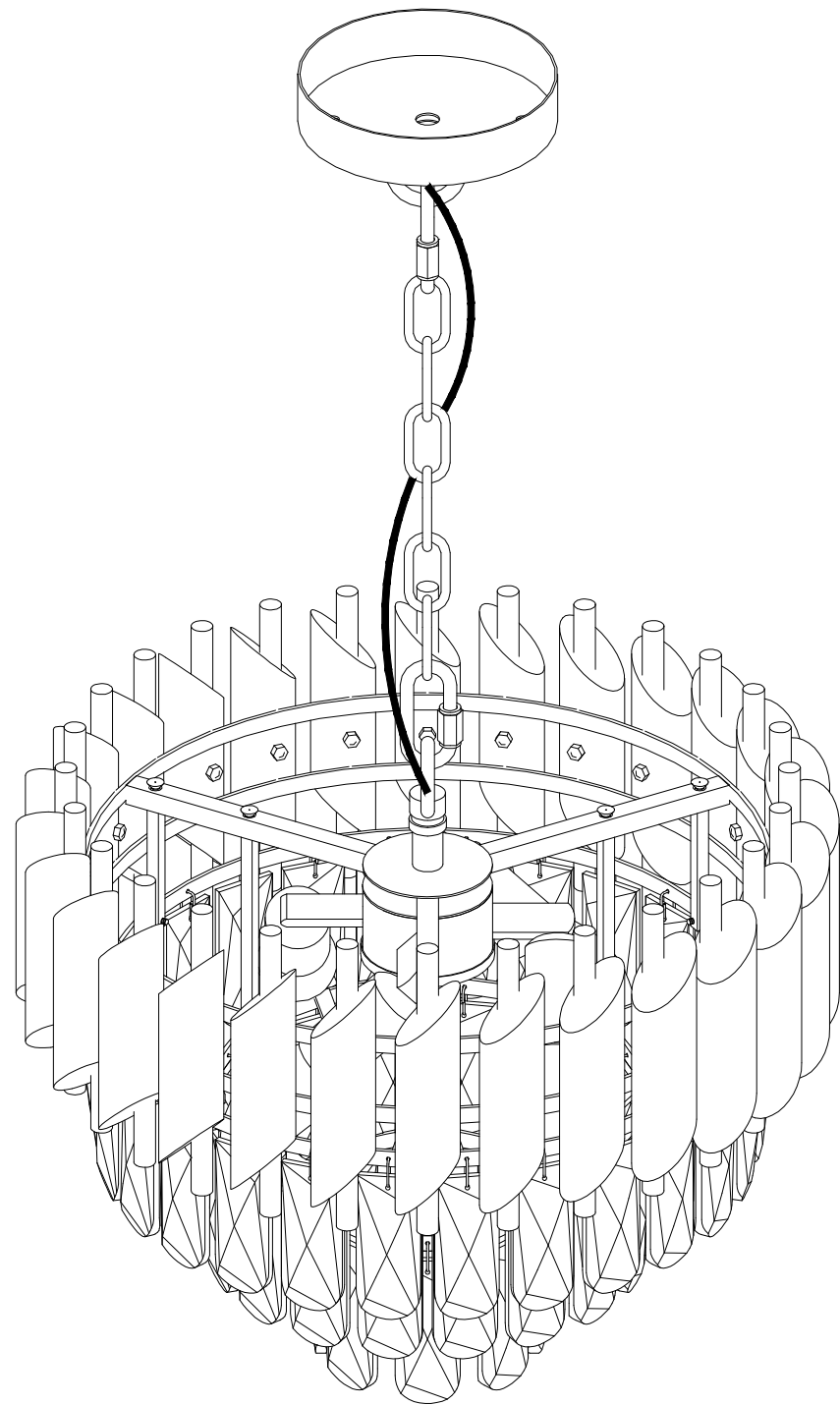


outline drawing:



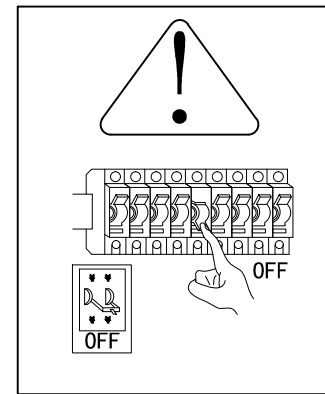
model:

Technical data: Power supply voltage 110-120V, bulb type E12Max40Wx5PCS (not included)

CAUTION



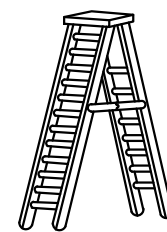
- Before installing the lighting fixtures, please check the insulation of the wires for any cuts, wear, or possible damage during transportation. If the wires are defective, do not attempt installation .
- In some countries, electrical installation work can only be carried out by authorized electrical contractors. Please contact the local power department for advice.



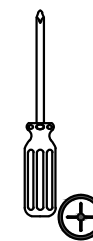
IMPORTANT Before starting the installation work, please make sure to cut off the power supply to the circuit.

IMPORTANT Keep children away from the installation process .

Required tools (not included):



Ladder

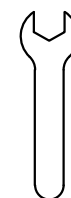


Phillips screwdriver



pincers

Required tools (including):

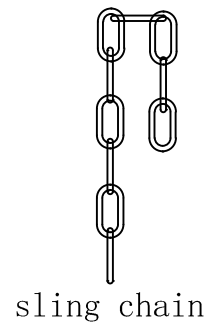


Hex Wrench

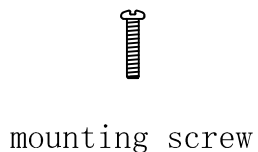


glove

The hardware kit provides:



sling chain



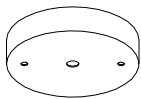
mounting screw



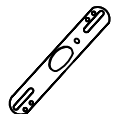
ring



CONNECTORS



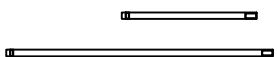
tray



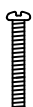
Installation board



Crystal shards -52pcs



2 types of square rows



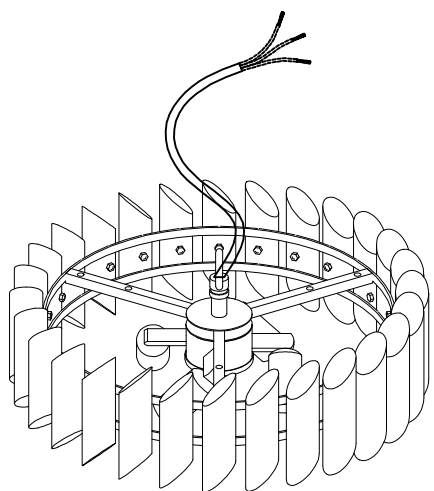
Hanging plate screws



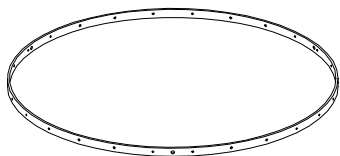
carabiner



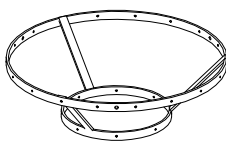
pipe-30pcs



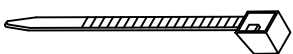
Welding iron ring+lamp+antique



Flat iron ring



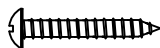
Welding flat iron frame



cable tie



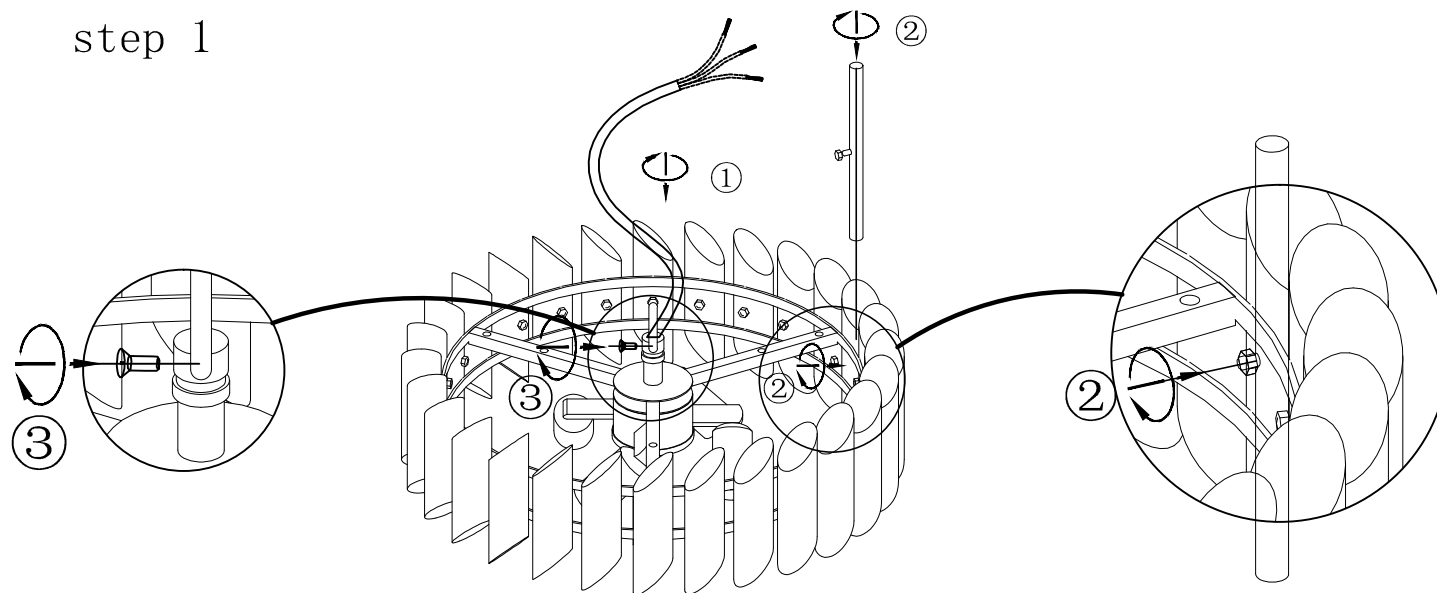
Gecko rubber stopper



Self tapping screws

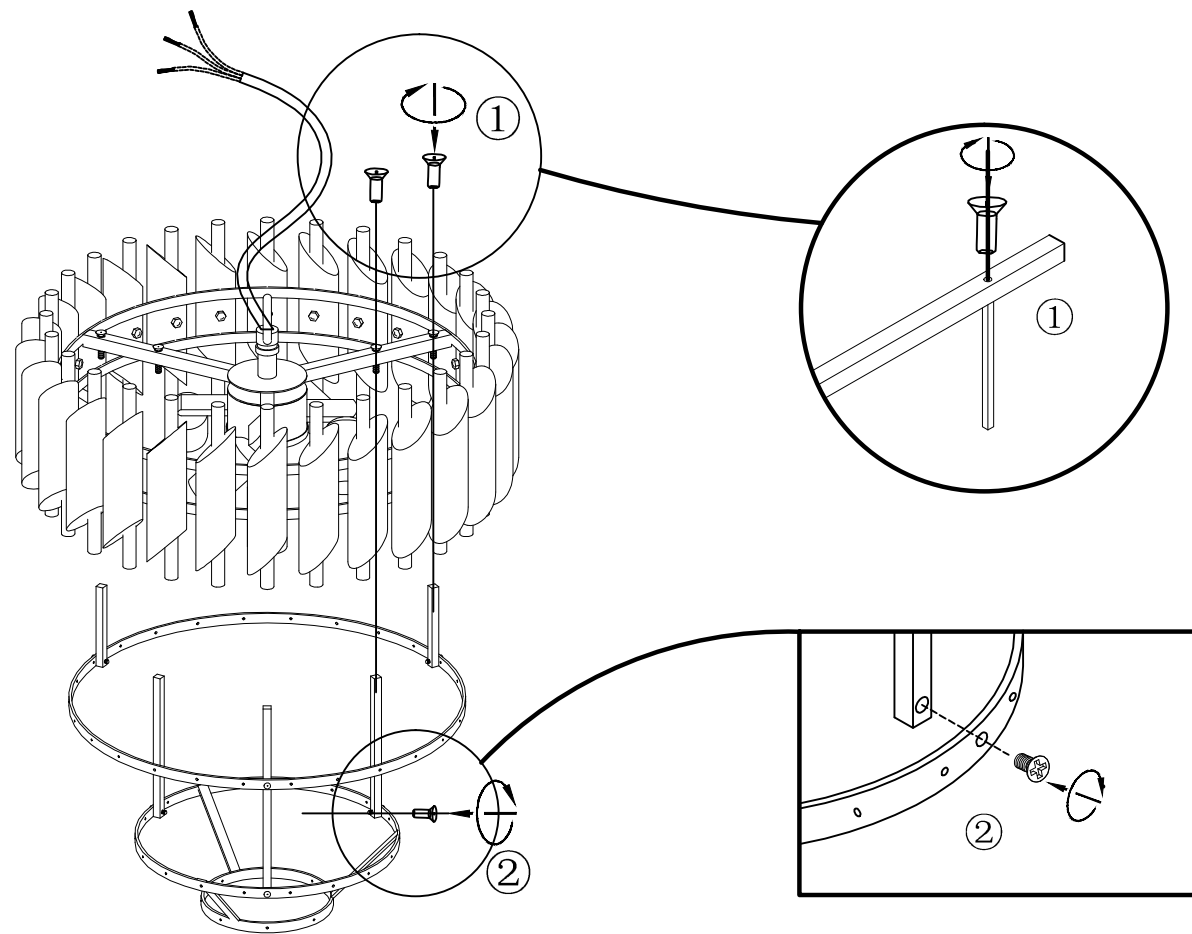
•The components displayed on each lamp may vary slightly

step 1



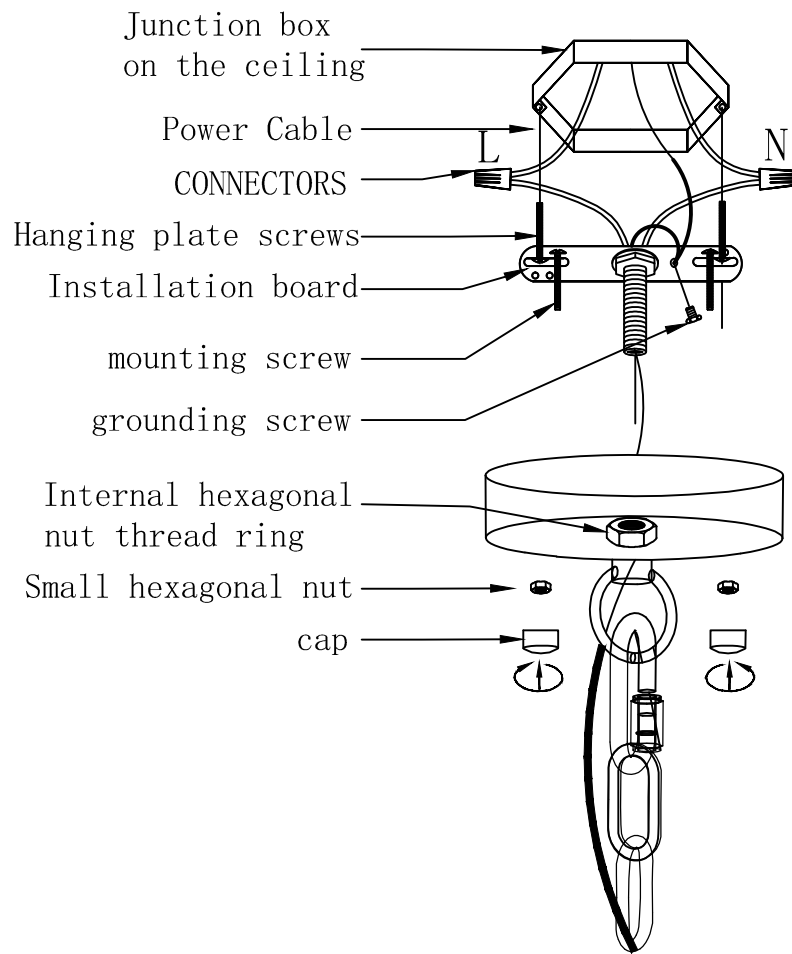
- ① Hanging rings, welded iron rings, lamps, and ancient connection fasteners.
- ② Thread the small tube through the hole on the welding frame and tighten it with a nut.
- ③ Lock the safety screw onto the hanging ring.

Step 2



- ① Thread the screw through the square tube hole in the welded iron ring and connect it tightly to the square row. Refer to this step for the remaining square rows.
- ② Thread the screw through the flat iron ring and connect it tightly to the square row. Refer to this step for the remaining flat iron rings.

Step 3

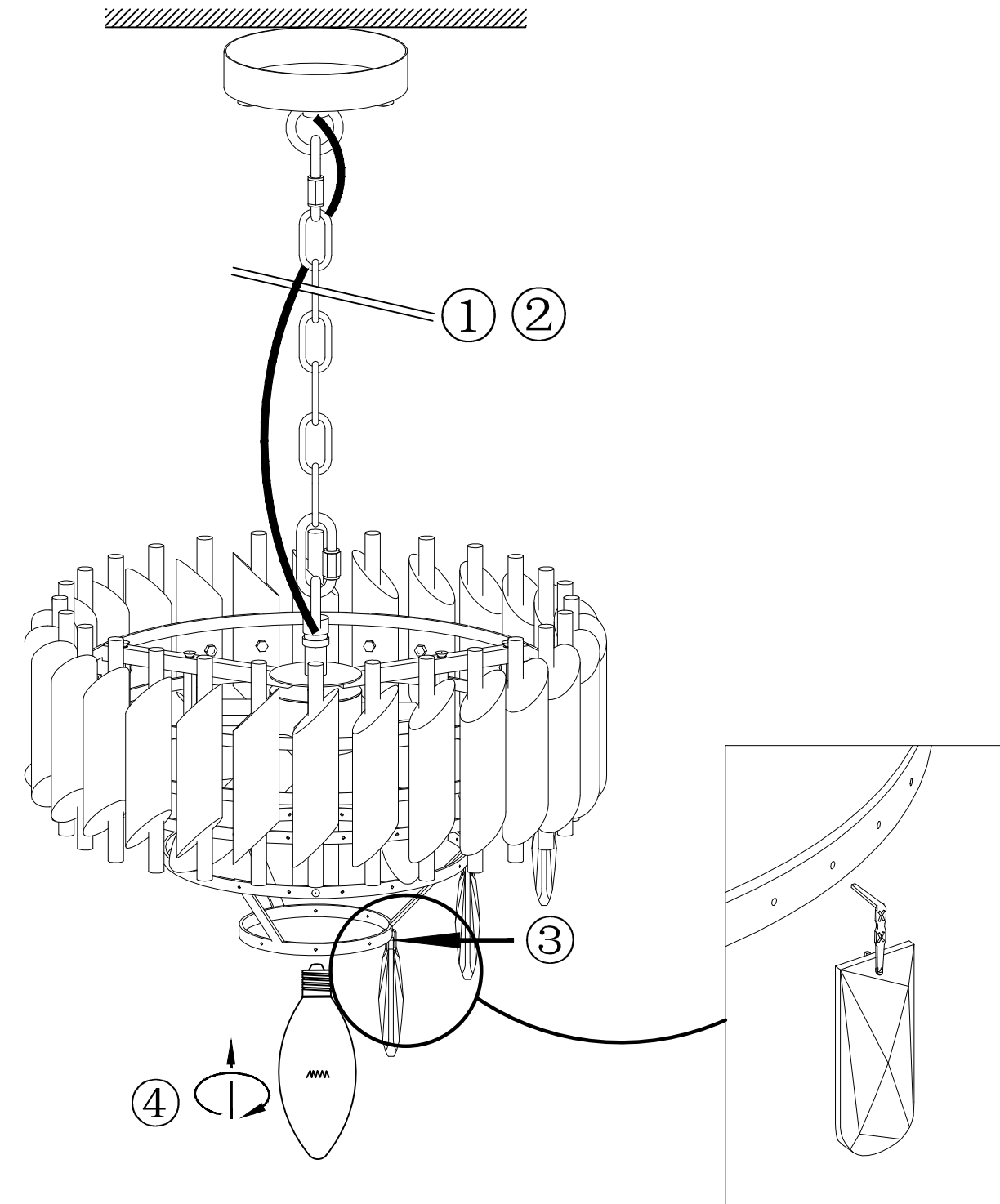


- ① Thread all the wires through the canopy and installation kit.
- ② Connect the power cable with two cable connectors.
- ③ Connect the grounding wire and tighten it with the grounding screw.
- ④ Install the fixing screws into the mounting plate, install the installation unit under the junction box, and tighten with two mounting screws.
- ⑤ Fix the canopy in place using a suspension ring. Tighten the screw ring and hex nut with a wrench to tighten the hex nut.
- ⑥ Tighten the fixing screws on the rain shelter holes.
- ⑦ Tighten the cap tightly.

Connect the black or red wire (with an L sticker on the wire) to:	Connect the white wire (with N stickers on the wire) to:
black	white
Parallel lines - pt&l (circular and smooth)	Parallel lines - spri&l (square and ridge shaped)
Transparent, brown, gold or black (without tracer)	Transparent, brown, gold or black (with tracer)
Copper core insulated wire (excluding GREEN)	Silver conductor insulated wire (excluding GREEN)

Step 4

Kind reminder: Before installing the crystal, please clean it thoroughly .



- ①② This depends on the height of your ceiling and the desired suspension length. You can measure the chain and adjust the locking buckle to achieve the desired chain length.
- ③ Thread the hanging needle through the crystal chip hole to hang it in the circular hole.
- ④ Tighten the light bulb (E12 maximum 40W, not included).