


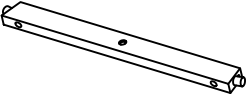
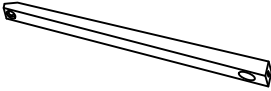






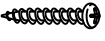

Product Assembly Instructions

DINING TABLE

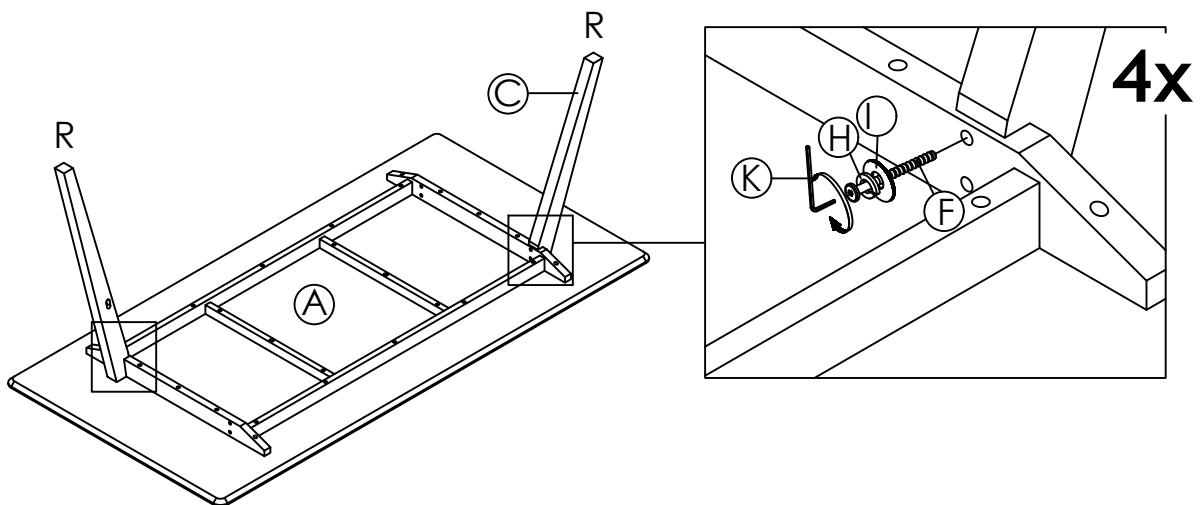
PART LIST

| | | |
|---|--|---|
|  <p>A : TABLE TOP x1</p> |  <p>B : TABLE LEG (L) x2</p> |  <p>C : TABLE LEG (R) x2</p> |
|  <p>D : TABLE LEG STRETCHER x2</p> |  <p>E : TABLE LEG SUPPORT RAIL x2</p> | |

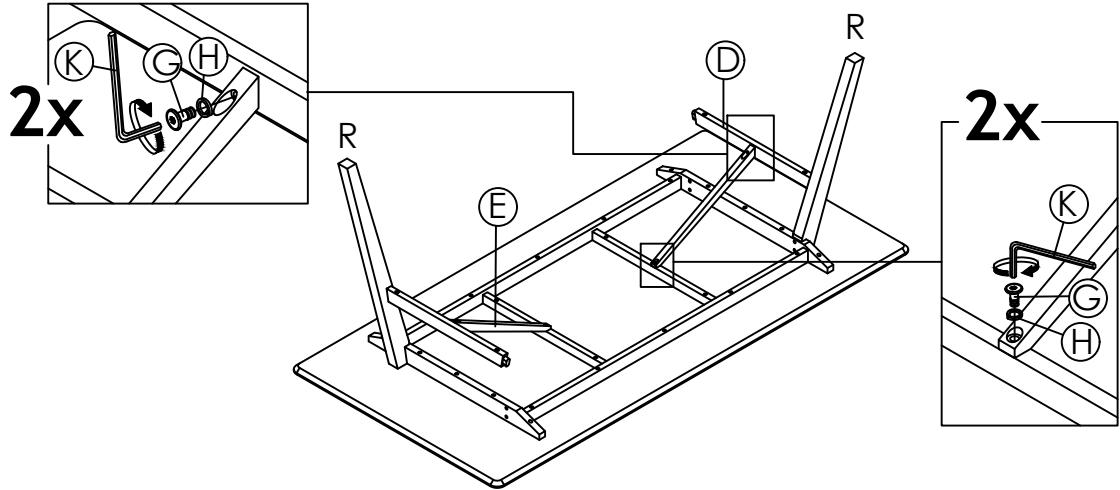
HARDWARE LIST

| | | |
|---|--|--|
|  <p>F : JCBC SCREW M6 x 50mm x8</p> |  <p>G : JCBC SCREW M6 x 25mm x4</p> |  <p>H : SPRING WASHER 1/4" x12</p> |
|  <p>I : FLAT WASHER 1/4" x8</p> |  <p>J : PAN HEAD SCREW M5 x 32MM x4</p> |  <p>K : ALLEN KEY M4 x1</p> |

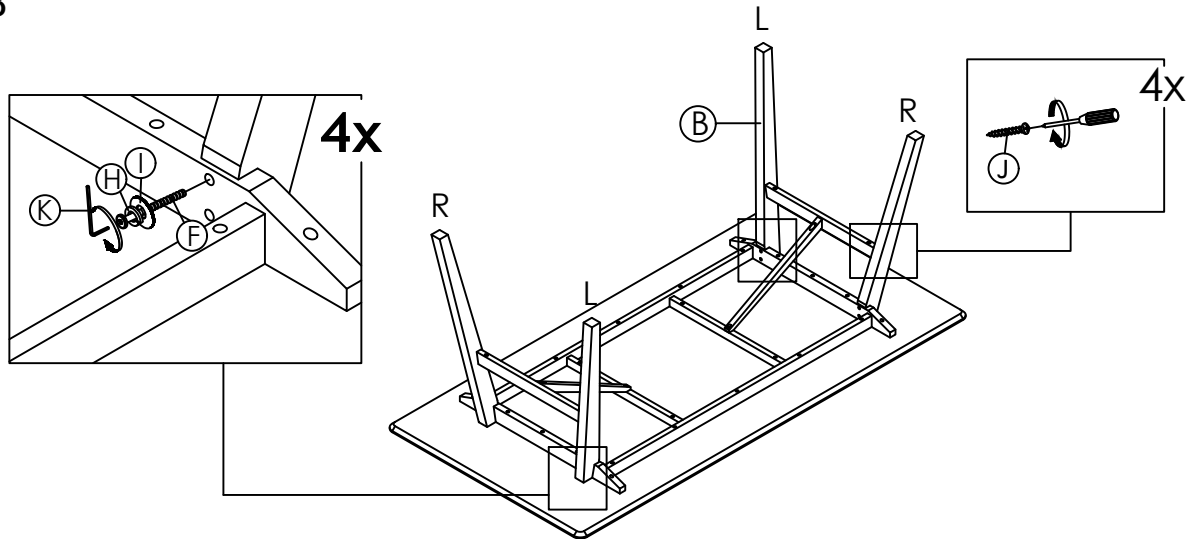
STEP 1



STEP 2



STEP 3



STEP 4

