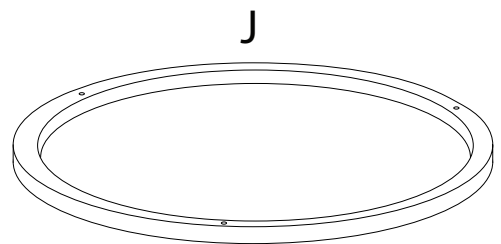
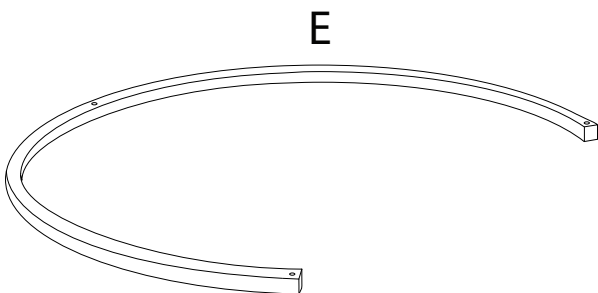
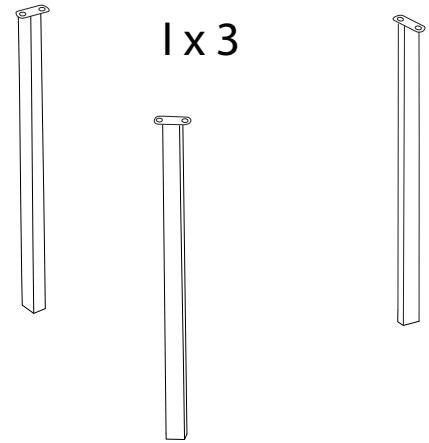
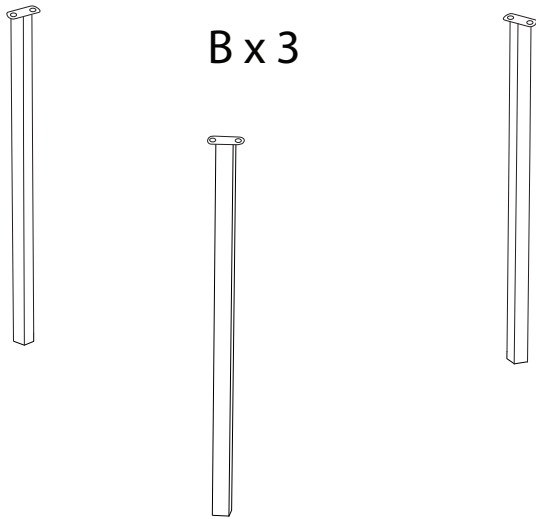
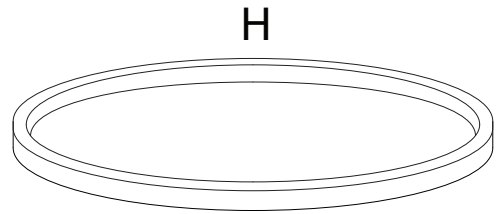
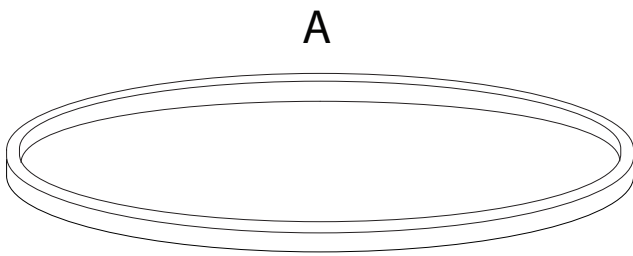
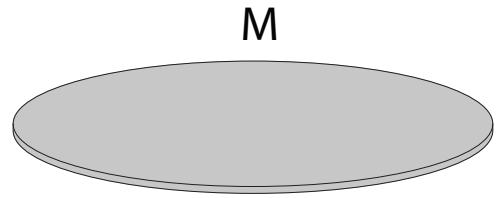
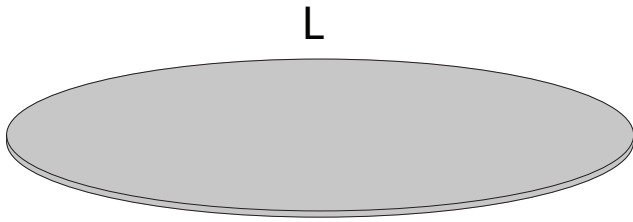
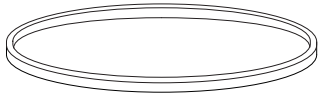


30'

2



A



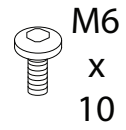
x 1

B



x 3

C



M6
x
10

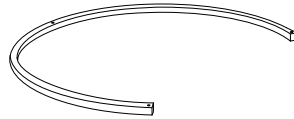
x 12

D



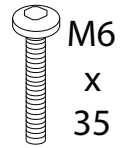
x 1

E



x 1

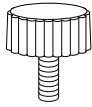
F



M6
x
35

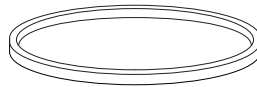
x 6

G



x 8

H



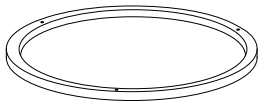
x 1

I



x 3

J



x 1

K



x 8

L



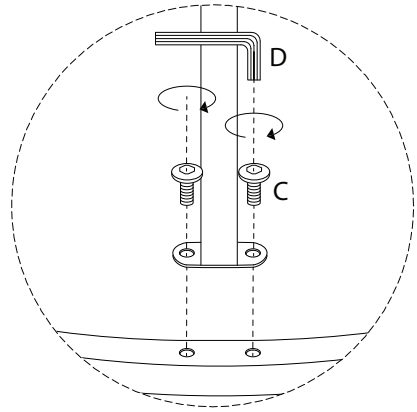
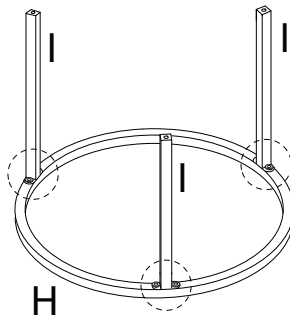
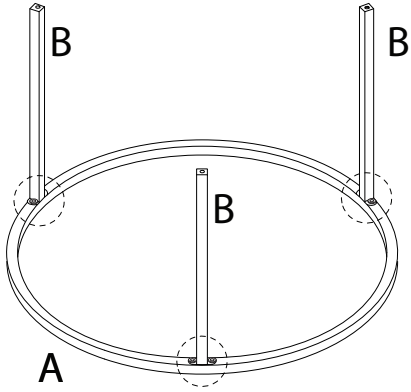
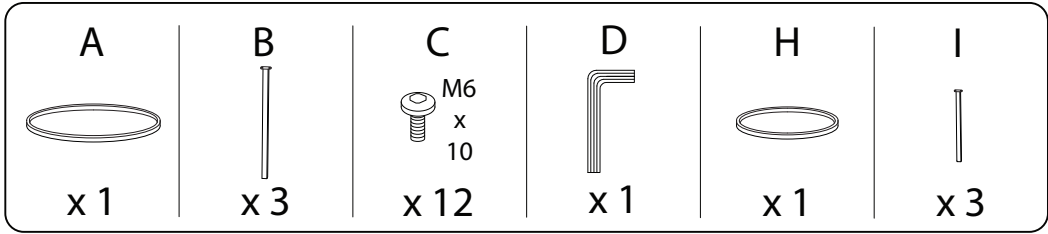
x 1

M

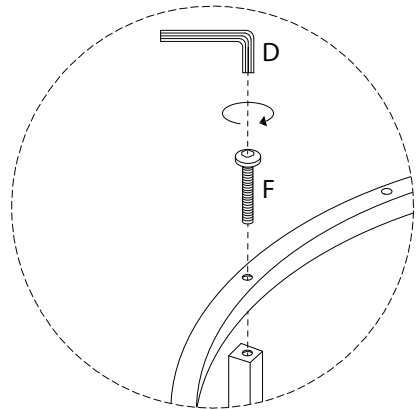
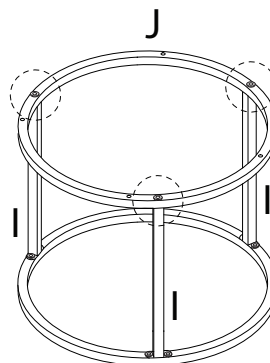
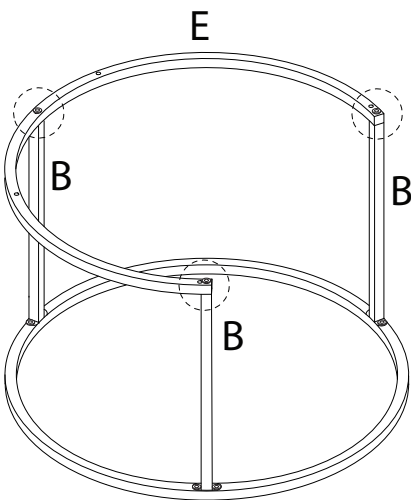
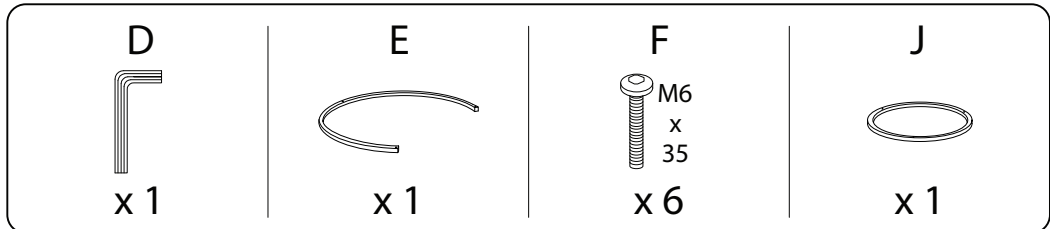


x 1

1



2

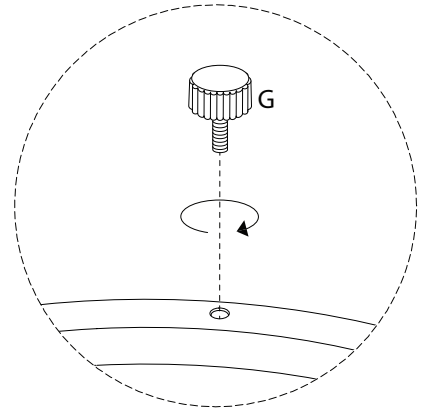
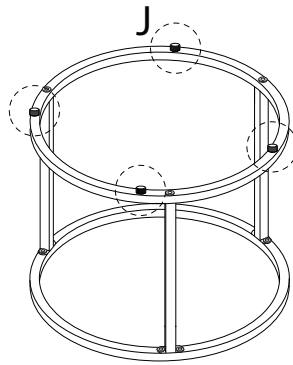
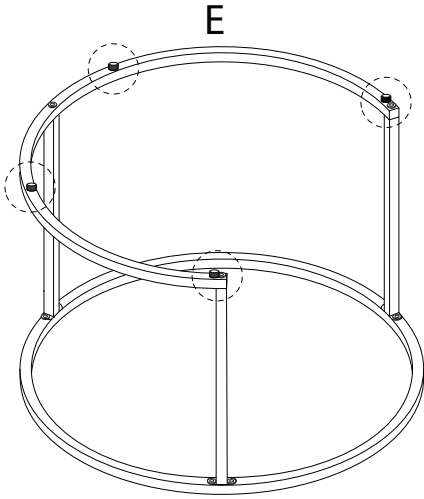


3

G



x 8

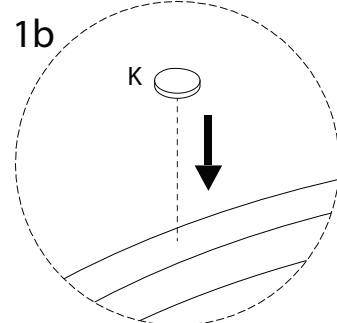
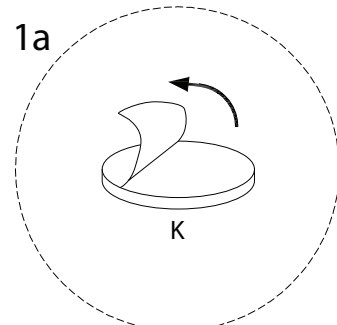
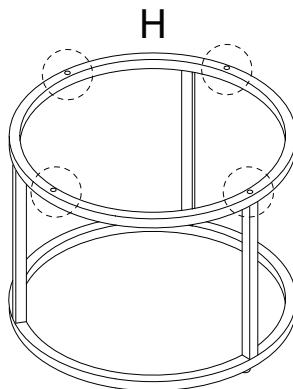
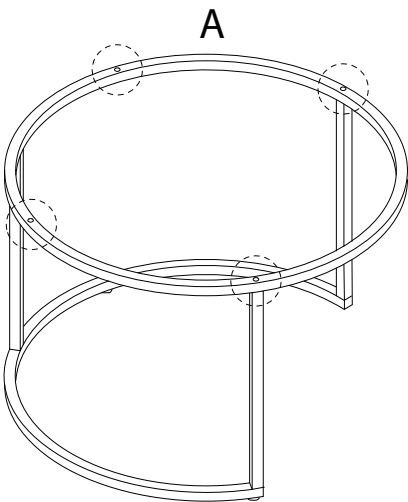


4

K



x 8



5

