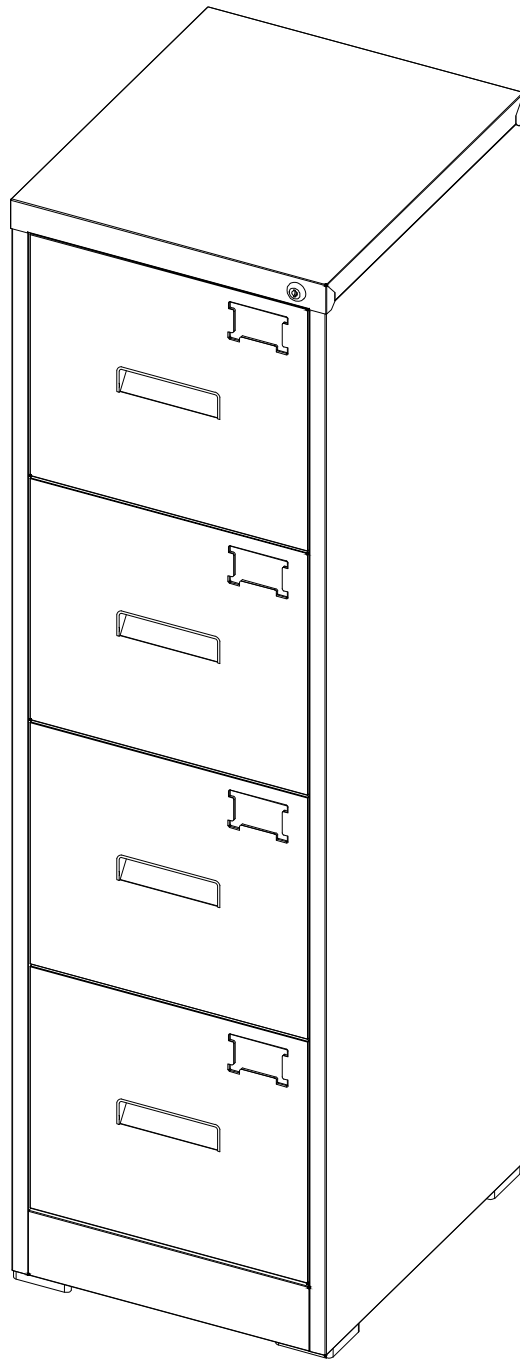


SKU:DSN026BN245A/DSN026WN246A  
20005



## **THANK YOU FOR CHOOSING US !**

Your new Metal Cabinet has arrived and it will make your life so much easier. That's why we put so much effort into designing it to perfectly fit your needs.

But first things first, we need to install it!.

When we say “we”, we mean we're going to guide you, step by step. We created this instructions manual so that you won't feel overwhelmed and get your new cabinet up and ready to use in no time! We also know that sometimes things just don't seem to fit, so don't hesitate to drop us a line at [help@amrecianoffice.com](mailto:help@amrecianoffice.com) if you have questions or need help!

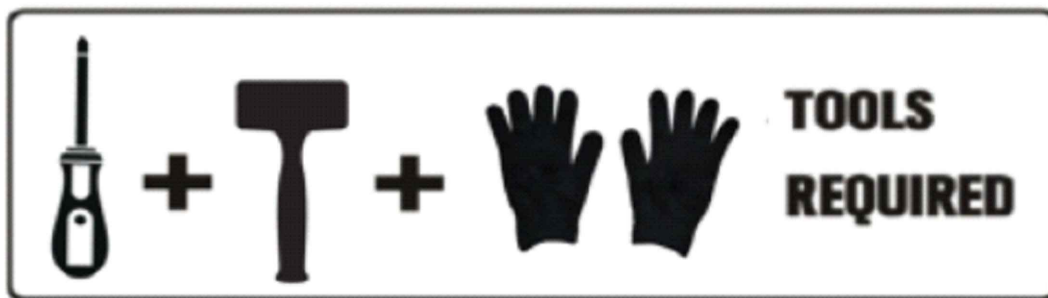
Anyways, this cabinet CANT WAIT TO BE OF SERVICE so let's assemble it!

## **MISSING A PART? DON'T WORRYWE GOT YOUR BACK!**

Compare the sketch on the next page with your package. Are all the pieces there? However, sometimes errors happen,so if anything is missing just send us an email and we will make sure to fix it!

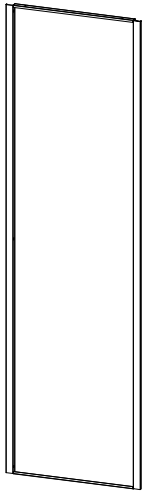
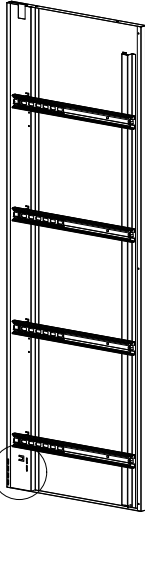
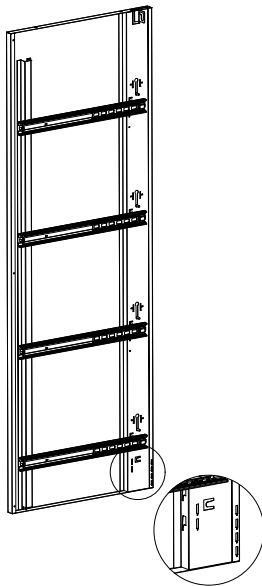

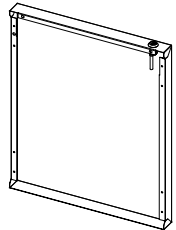

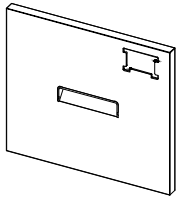
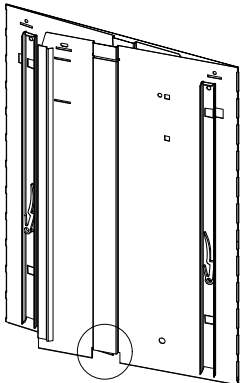

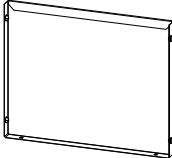
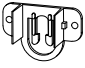



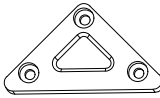


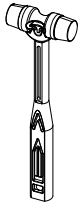

Before you start, here are a few quick pointers:

The installation can be finished by 1 person. Also, you can call a friend to join the fun!

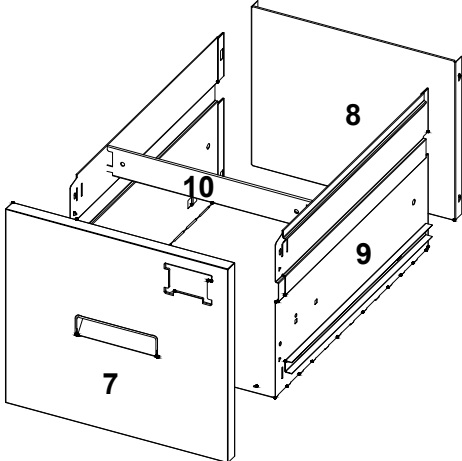
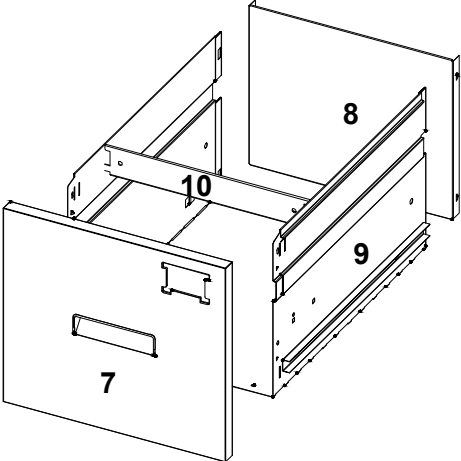
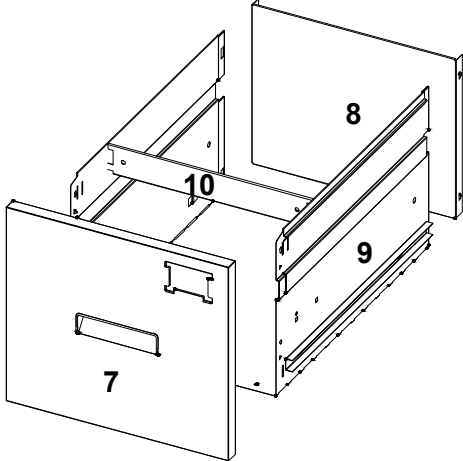
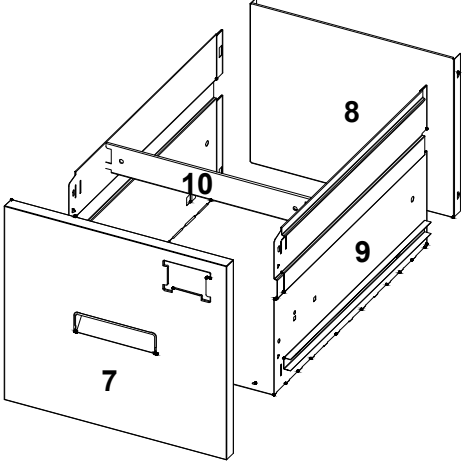
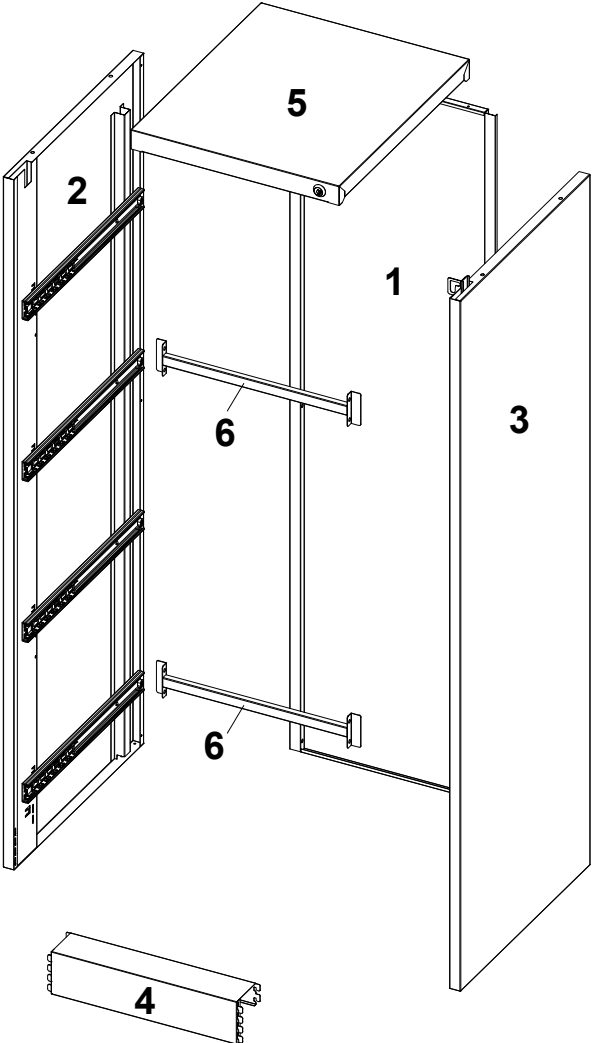


# SKU:DSN026BN245A/DSN026WN246A

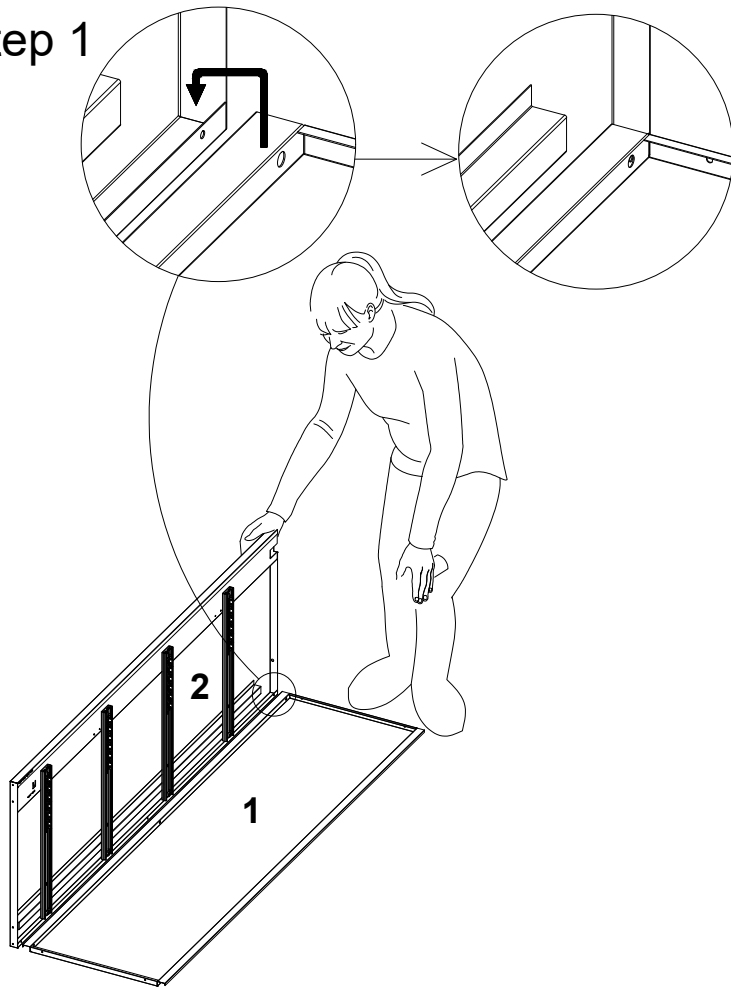
20005

<p><b>1x1</b></p> 	<p><b>2x1</b></p> 	<p><b>3x1</b></p> 	<p><b>4x1</b></p> 				
			<p><b>5x1</b></p> 				
<p><b>6x2</b></p> 	<p><b>7x4</b></p> 	<p><b>9x4</b></p> 					
<p><b>10x4</b></p> 	<p><b>8x4</b></p> 						
<p><b>Ax2</b></p> 	<p><b>Bx4</b></p>  <p>M4x <math>\frac{16\text{mm}}{0.6\text{inch}}</math></p>	<p><b>Cx24</b></p>  <p>M4x <math>\frac{8\text{mm}}{0.3\text{inch}}</math></p>	<p><b>Dx30</b></p>  <p>M5x <math>\frac{12\text{mm}}{0.47\text{inch}}</math></p>	<p><b>Ex4</b></p> 			
							

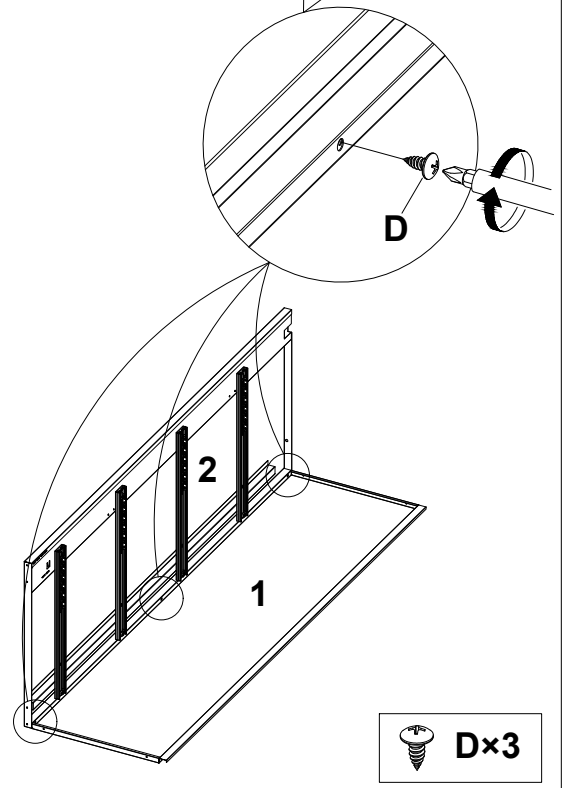
SKU:DSN026BN245A/DSN026WN246A  
20005



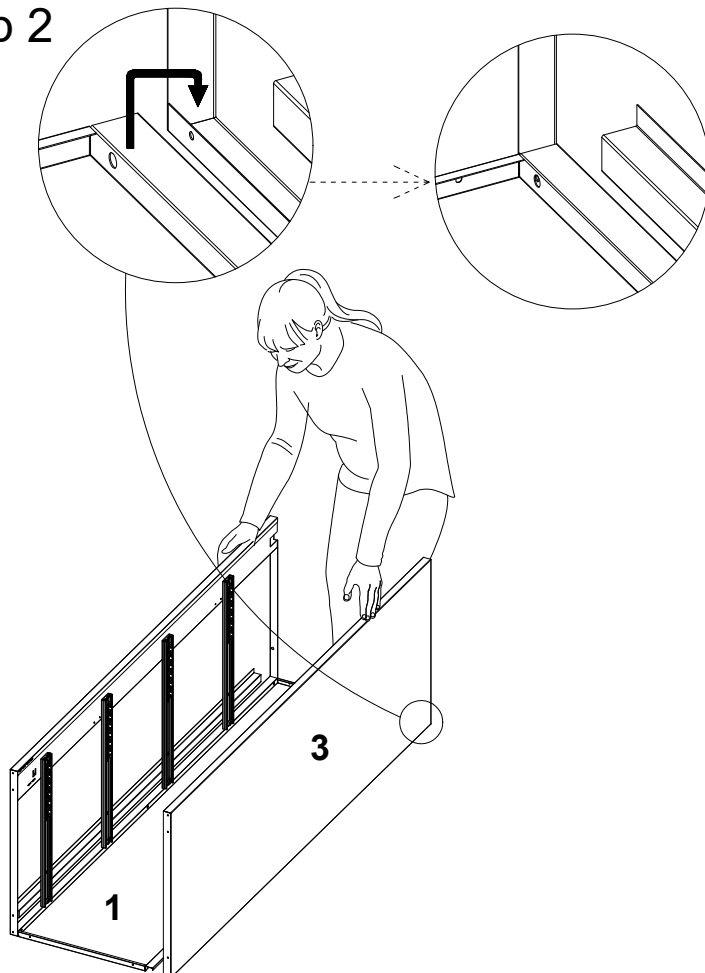
Step 1



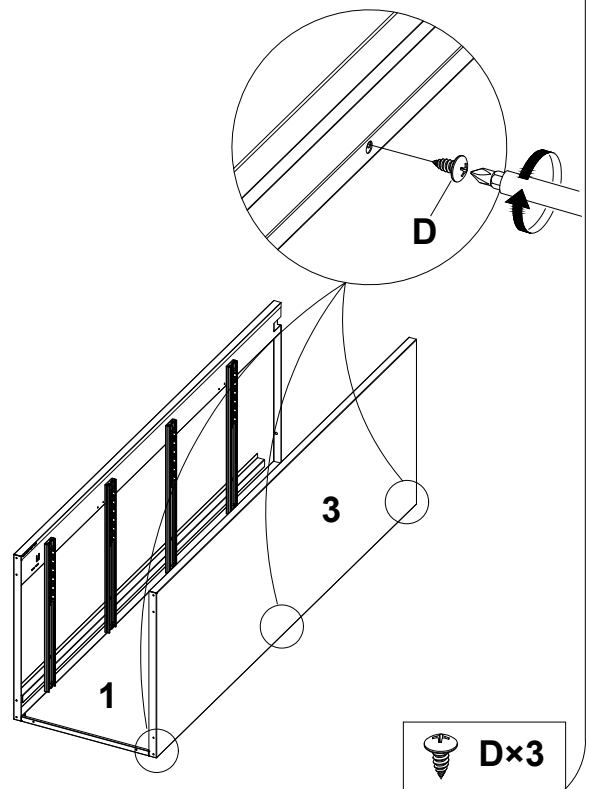
Put the hole on part 1 and part 2 in level  
(please refer to the photo guide)  
and connect it by D Screws



Step 2

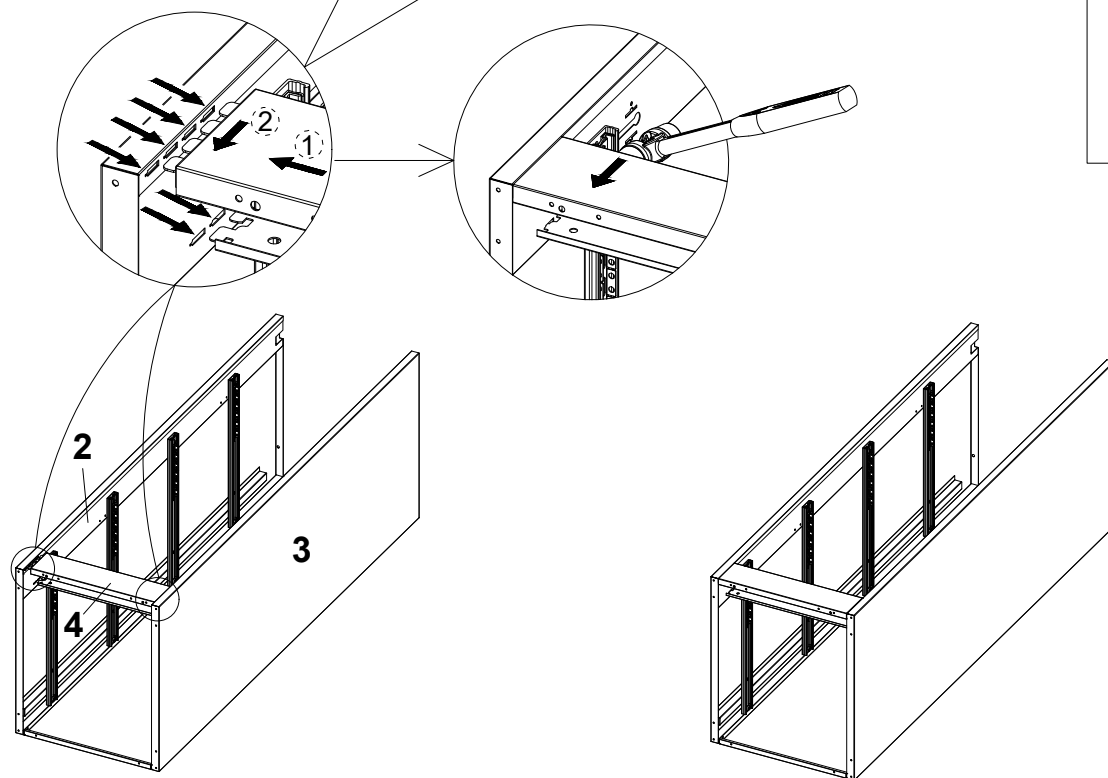
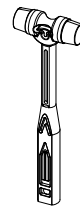


Put the hole on part 1 and part 3 in level  
(please refer to the photo guide)  
and connect it by D Screws

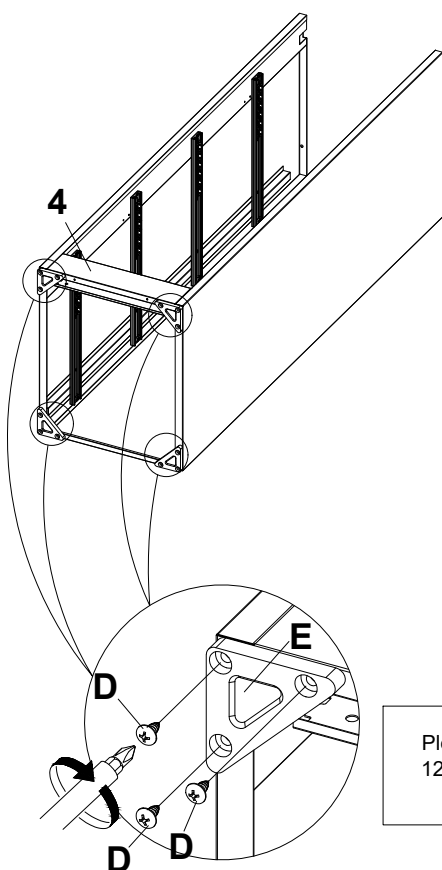


### Step 3

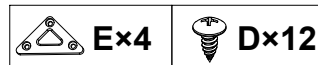
Put the tabs of part 4 into the holes of 2 and 3  
Using the soft hammer to adjust it from top to down  
until it is flat with the bottom of side panels



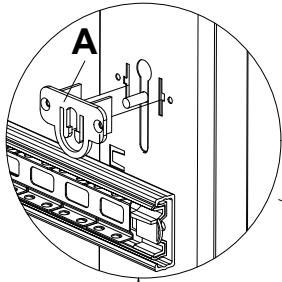
### Step 4



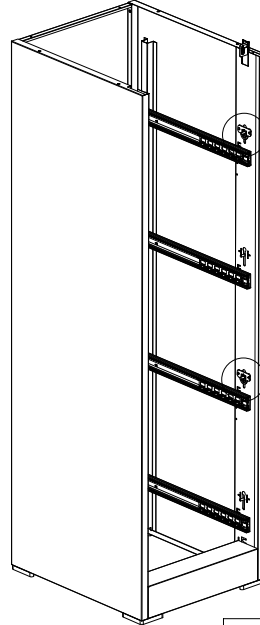
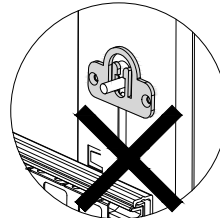
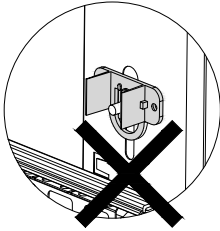
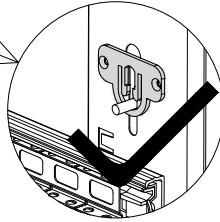
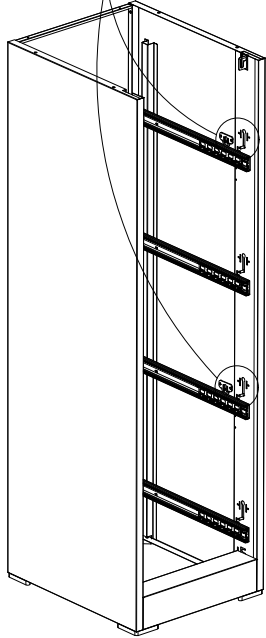
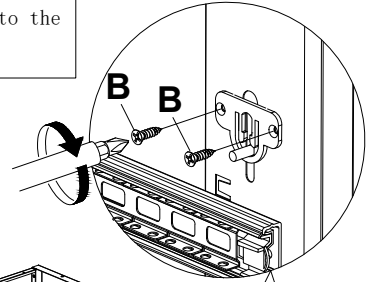
Please fix 4 part E to the bottom 4 corners by  
12 pcs D screws



### Step 5

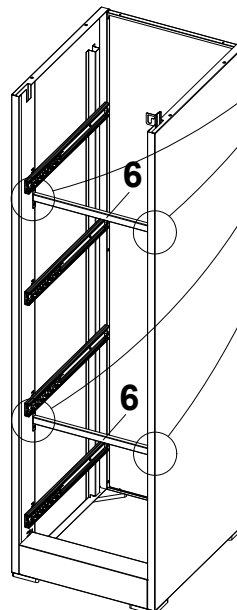
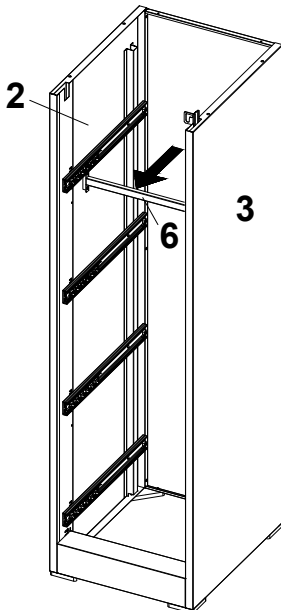
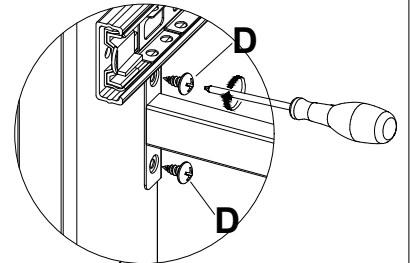


Fix part A with screw B and pay attention to the direction. (photo 1 is right)

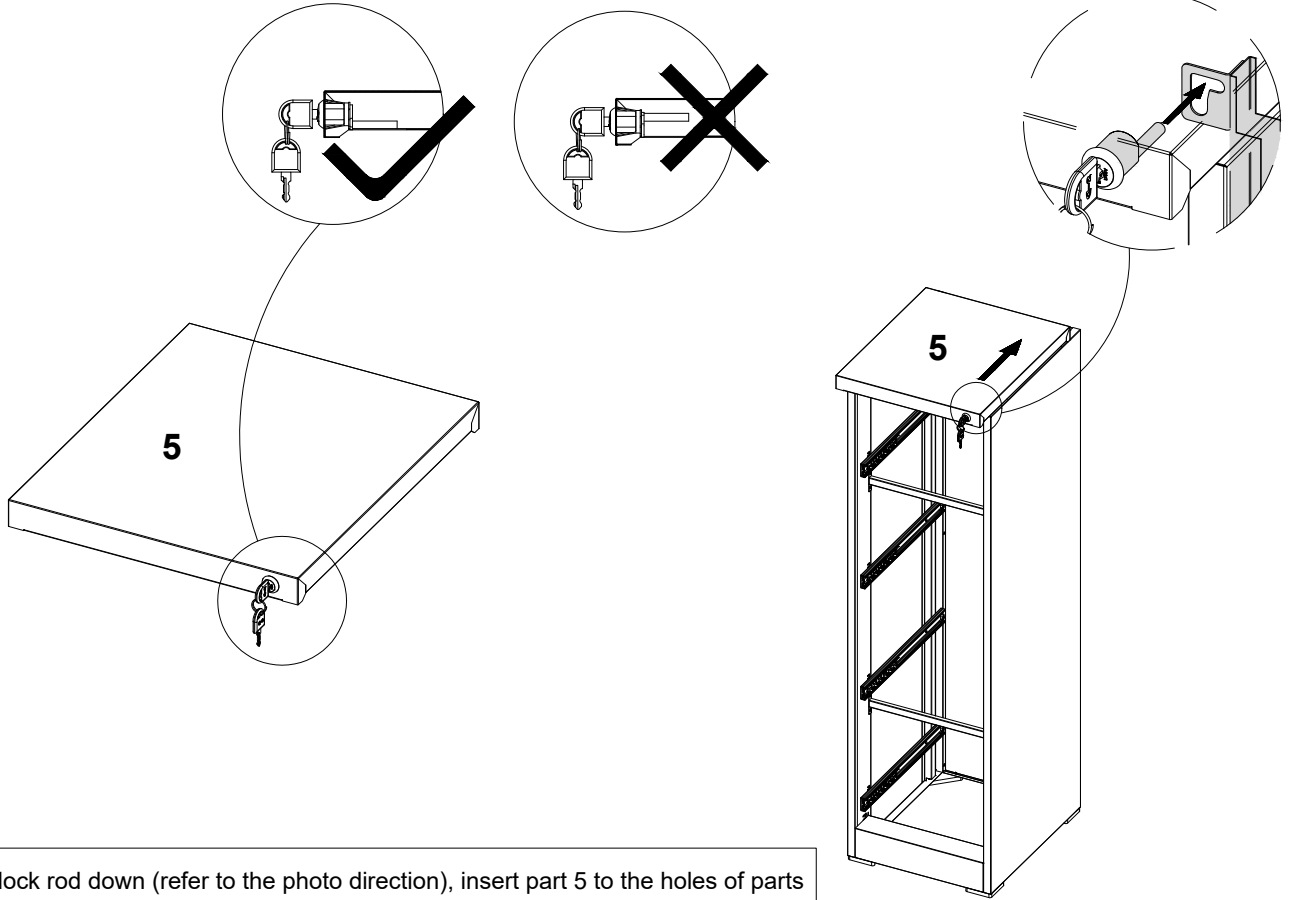


### Step 6

Secure Part 6 between part 2 and part 3 by 8 pcs D screws



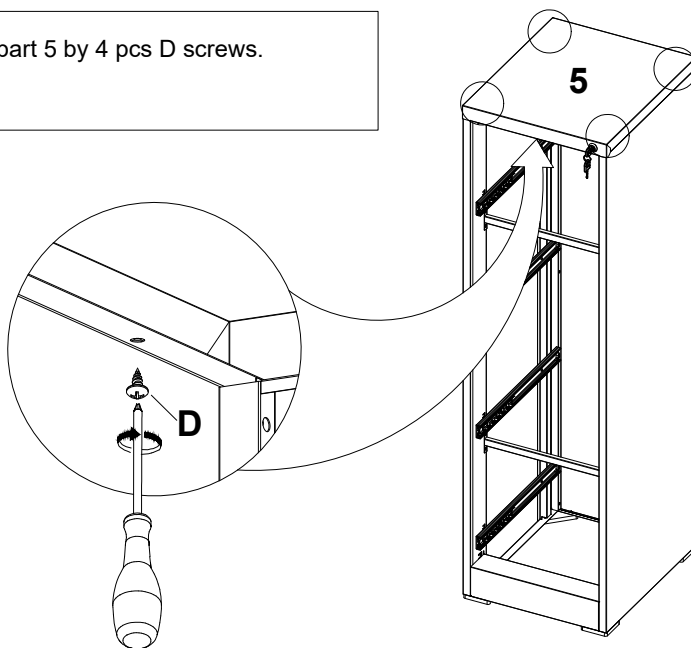
### Step 7



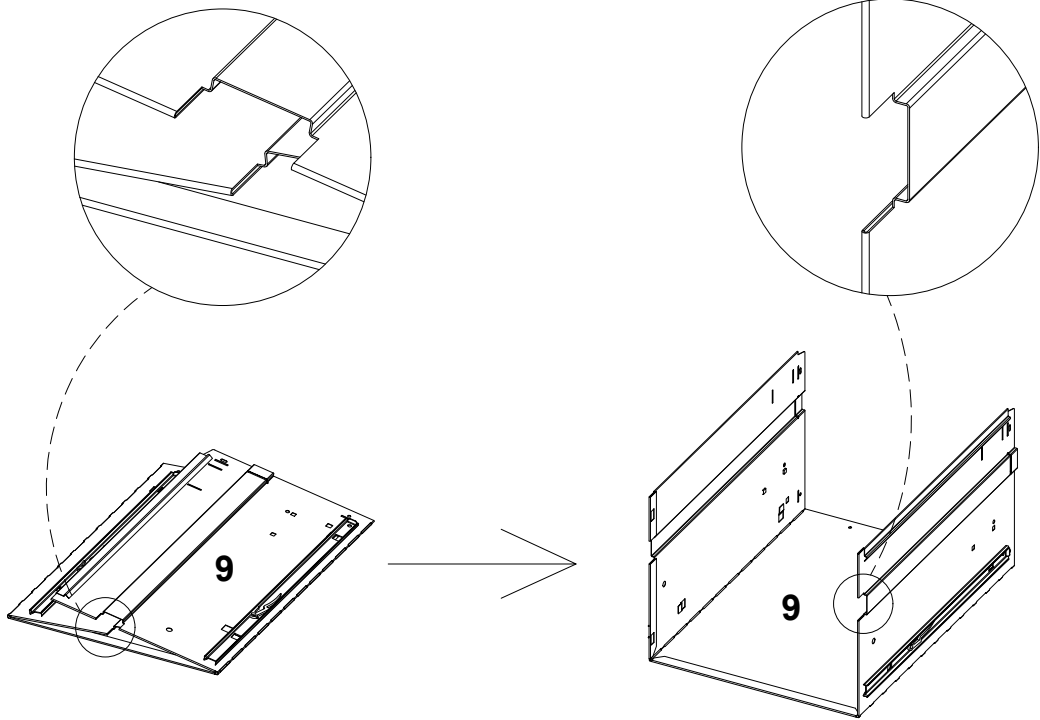
With the lock rod down (refer to the photo direction), insert part 5 to the holes of parts

### Step 8

Fix the part 5 by 4 pcs D screws.

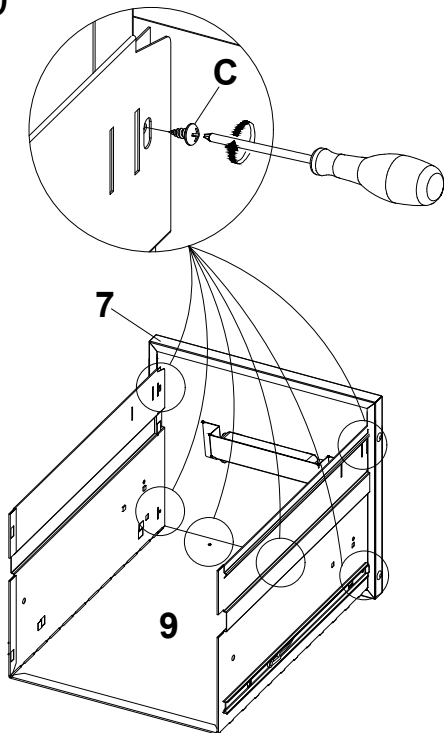


### Step 9



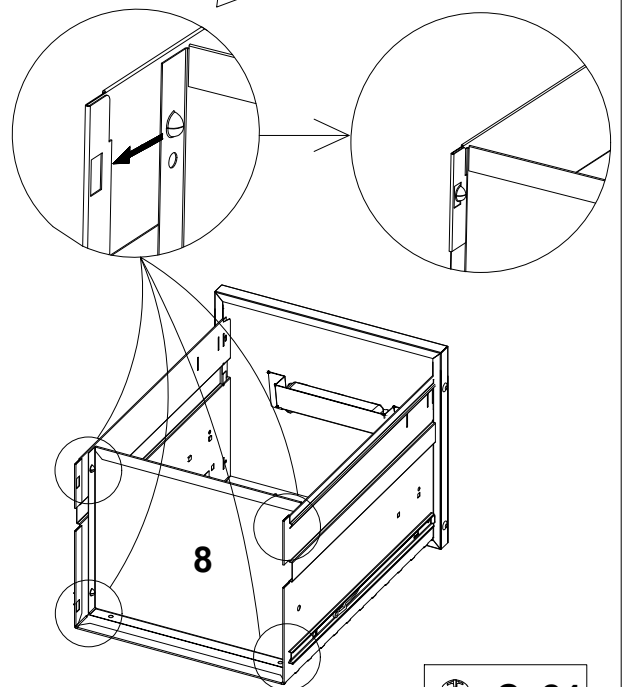
Please open part 9 and straighten the side of the part 9 (drawer)

### Step 10



Connecting 7 and 9 together with 6pcs C screws.

Tap part 8 backwards until the edge protrusion snaps into the hole in part 9

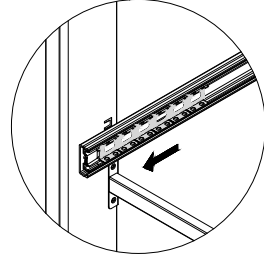
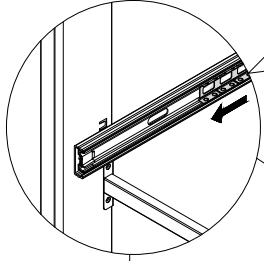


 Cx24

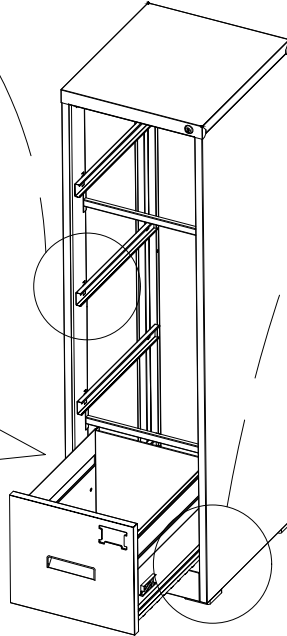
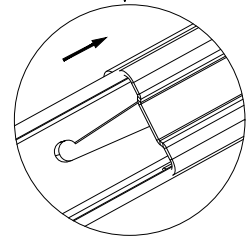
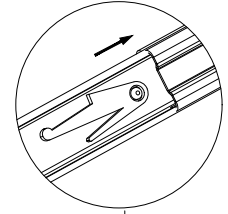
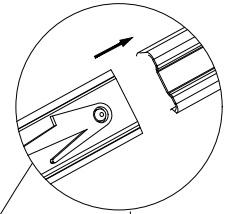
### Step 11

#### STP1

Most important step:A  
Slide the steel ball to the  
front of the outside of  
cabinet firstly

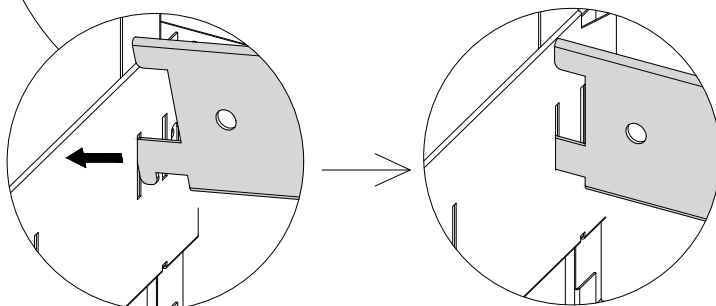
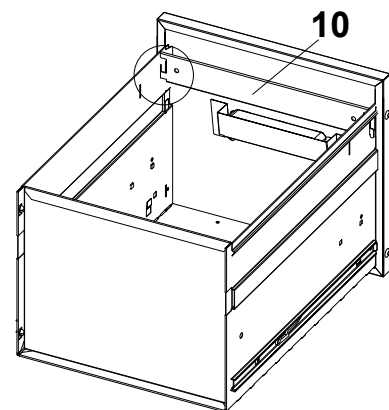
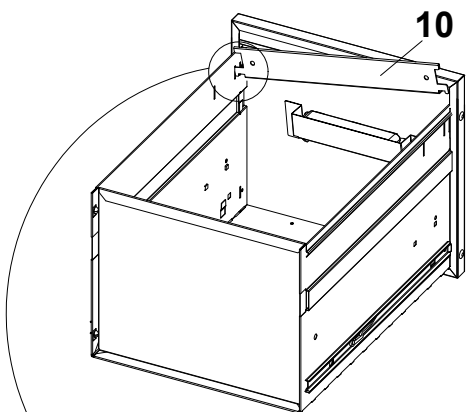


#### STP2



B:Insert the inner rails on both sides of  
the drawer into the outer rails on both sides  
of the cabinet at the same time. Two people  
lay the drawer flat and pull it in and out slowly.  
After pulling it to the end and out slowly twice,  
the slide track works normally.if it works failed,  
please follow the slide track removal  
instructions,open it and reinstall it.

### Step 12



SKU:DSN026BN245A/DSN026WN246A  
20005

## Step 13

