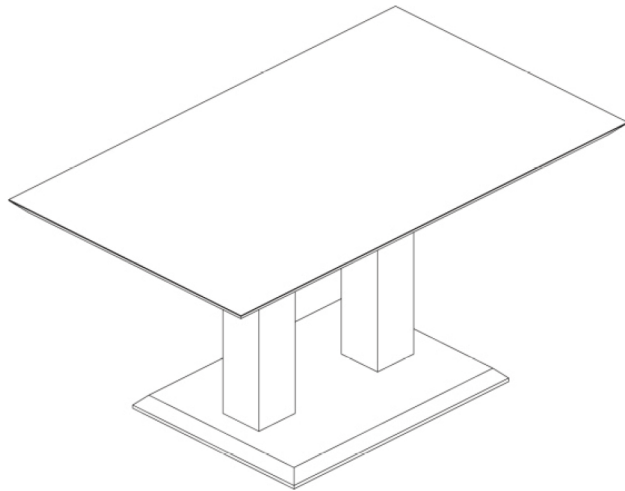


Assembly Instructions



Safety and Care Advice

Important – Please read these instructions fully before starting assembly

Check you have all the components and tools listed.

Remove all fittings from the plastic bags and separate them into their groups.

Keep children and animals away from the work area, small parts could choke if swallowed.

Make sure you have enough space to layout the parts before starting.

Assemble the item as close to its final position (in the same room) as possible.

Do not overtighten the nuts to avoid causing damage to the threads.



We do not recommend the use of power drill/drivers **for inserting screws**, as this could damage the unit. Only use hand screwdrivers and Allen keys.

Care and maintenance

Only clean using a damp cloth and mild detergent, do not use bleach or abrasive cleaners.

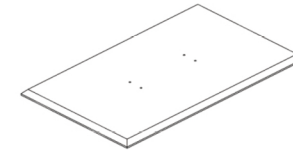
From time to time check that there are no loose screws on this unit.

This product should not be discarded with household waste. Take to your local authority waste disposal centre.

Please check you have all the panels listed below

1 x1

Table top



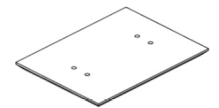
2 x2

Table legs

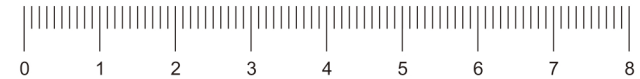


3 x1

Table base








2 Person Build

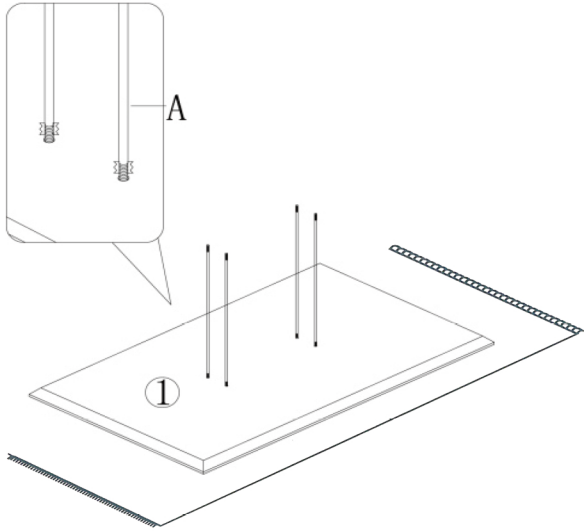


Please check you have all the fittings listed below

Note: The quantities below are the correct amount to complete the assembly. In some cases more fittings may be supplied than are required.

<p>A</p>  <p>M8x720mm Threaded Rod X2</p>	<p>B</p>  <p>M8mm Nut X4</p>	<p>C</p>  <p>M8x22mm Metal Washer X4</p>
<p>D</p>  <p>M14mm Box Spanner X1</p>	<p>E</p>  <p>φ30PVC Stickers X2</p>	

Assembly Instructions

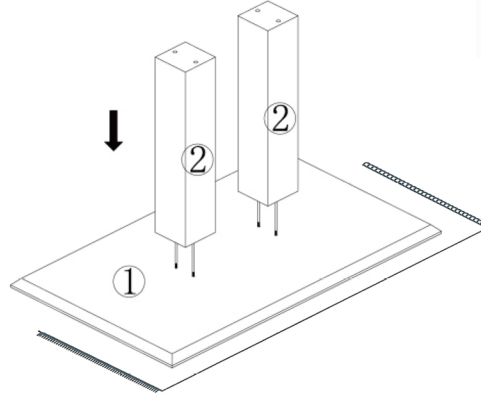


Step 1

Put the pieces on a flat soft surface e.g. a carpet to avoid scratching or bumping. Insert threaded rods **A** into the assembly holes of the table top (part **1**).

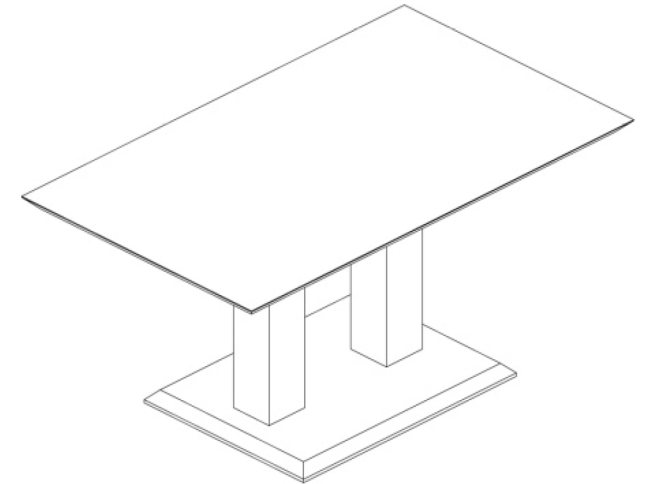
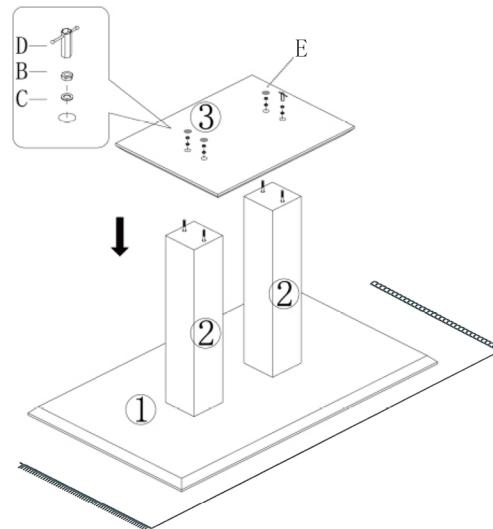
Step 2

Place the table legs (part **2**) over the threaded rods as shown.




Step 3

Attach the table base (part **3**) to the table legs. Secure using fixings **C** and **B**, using the Box Spanner **D** to tighten. Once fully tightened cover the holes with Stickers **E**.



Step 4

Assembly Completion

 **Warning:** With help, turn the table around to complete assembly.