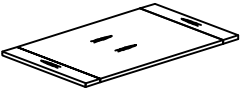
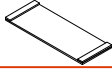






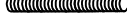






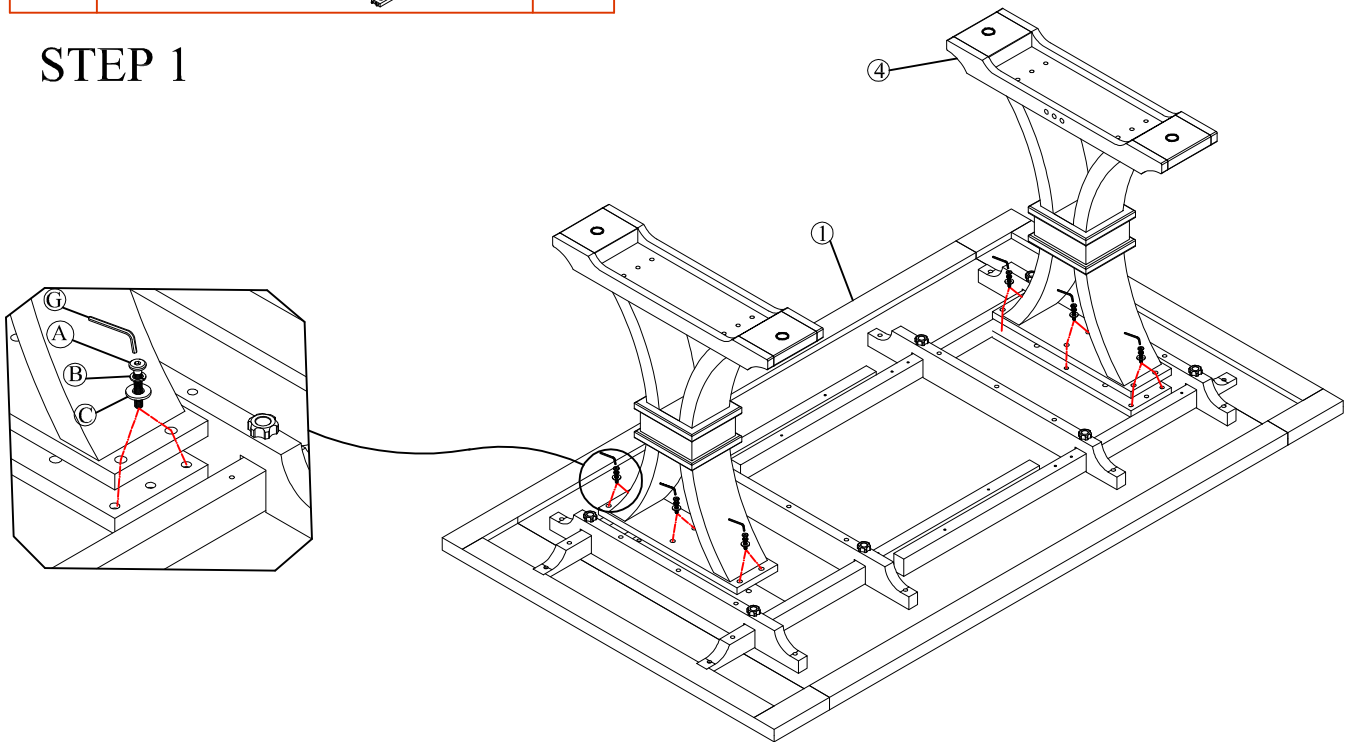
# ASSEMBLY INSTRUCTIONS

Description : Dining Table  
Item No :D37

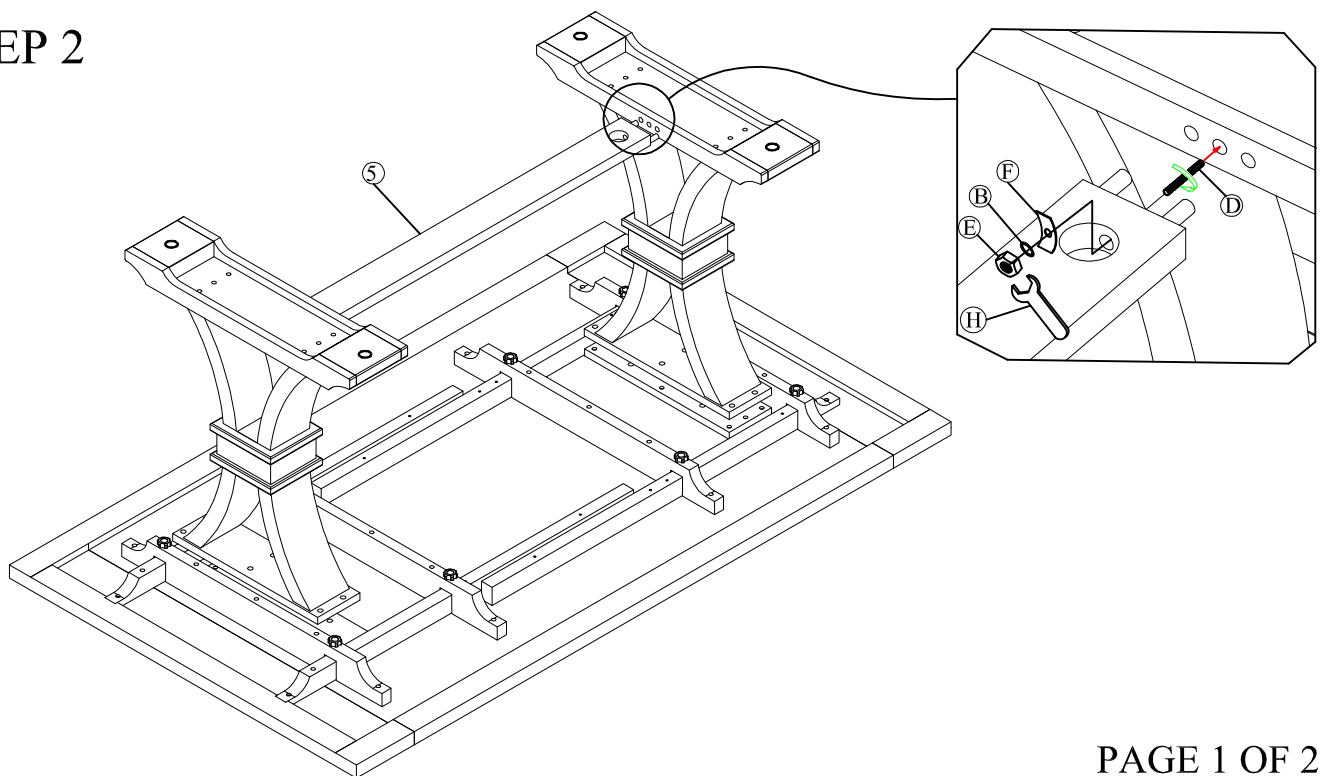
NO	Parts List	Q'TY
1	TABLE TOP 	1PC
2	LEFT TABLE LEAF 	1PCS
3	RIGHT TABLE LEAF 	1PCS
4	TABLE LEG 	2PCS
5	SHELF 	1PC

NO	Hardware List	Q'TY
A	BOLT  Ø5/16" * 35mm	12 PCS
B	LOCK WASHER  Ø5/16" * 11* 1.5 mm	14 PCS
C	WASHER  Ø5/16" * 22 *2 mm	12 PCS
D	THREAD BOLT  Ø5/16" * 75mm	2 PCS
E	HEX NUT  Ø5/16" * 12mm	2 PCS
F	SQUARE FLAT WASHER  Ø5/16"	2 PCS
G	ALLEN KEY  58 * 4mm	1PC
H	WRENCH  12 * 90mm	1PC

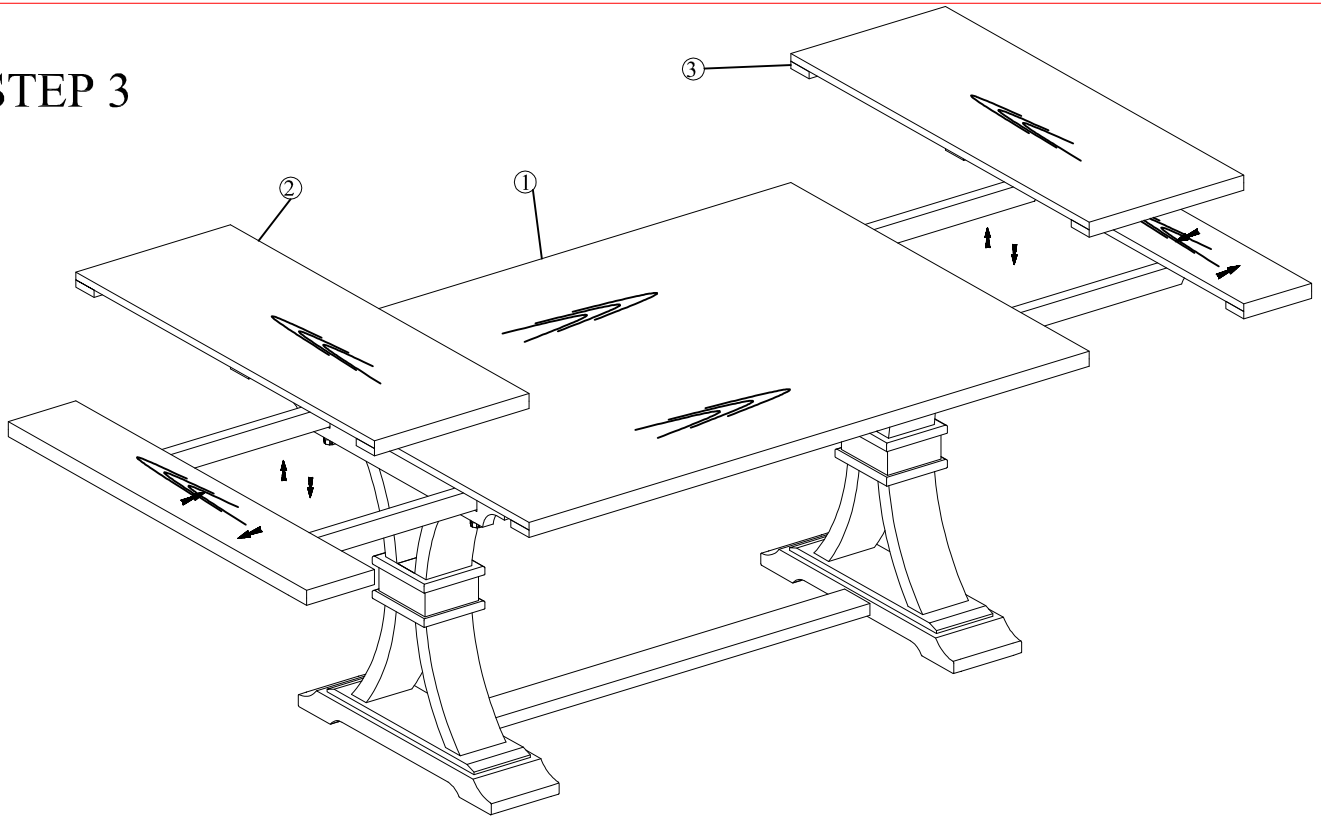
## STEP 1



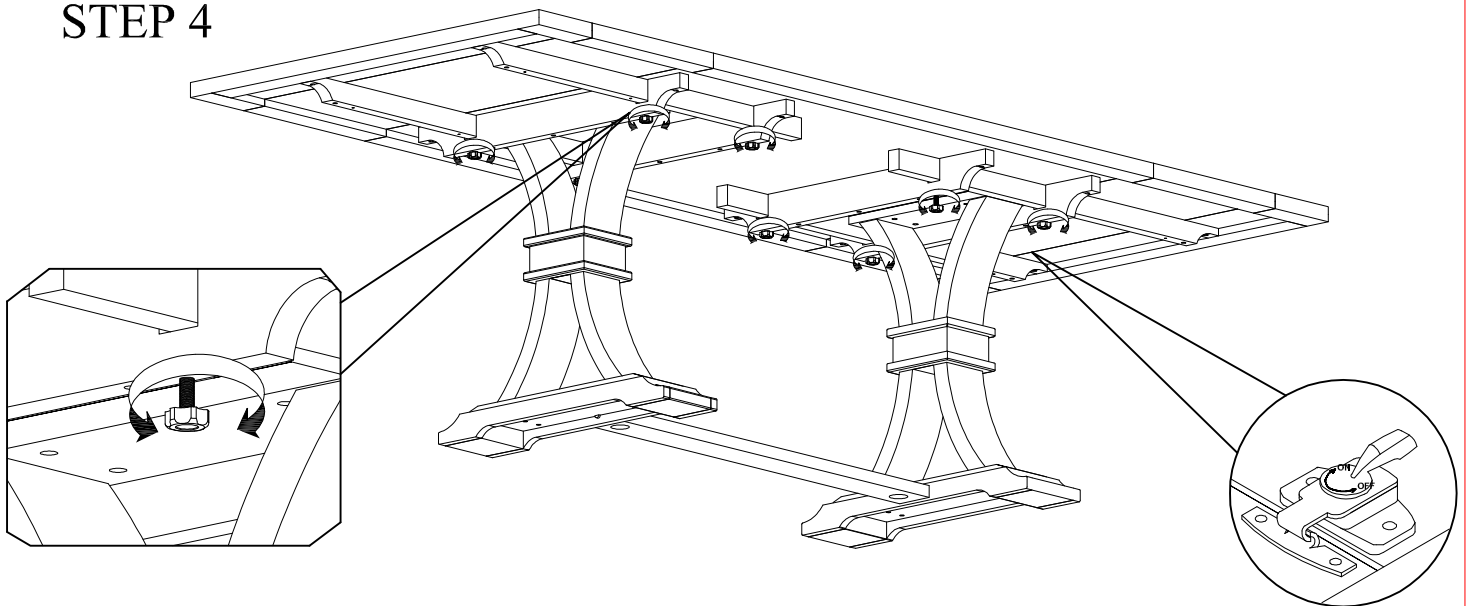
## STEP 2



### STEP 3



### STEP 4



### STEP 5

